



US00D462987S

(12) **United States Design Patent**  
**Ruscetta et al.**

(10) **Patent No.:** **US D462,987 S**

(45) **Date of Patent:** **\*\* Sep. 17, 2002**

(54) **BOOK COVER WITH HANDLES**

(76) Inventors: **Jeffrey A. Ruscetta**, 158 North St.,  
Warwick, RI (US) 02886; **Paul J.  
Lupien**, 195 Budlong Rd., Cranston, RI  
(US) 02920

(\*\*) Term: **14 Years**

(21) Appl. No.: **29/141,540**

(22) Filed: **May 8, 2001**

(51) **LOC (7) Cl.** ..... **19-04**

(52) **U.S. Cl.** ..... **D19/26**

(58) **Field of Search** ..... D19/26, 27, 28,  
D19/29, 30, 31, 32; 281/15.1, 17, 29, 31,  
33-35, 42, 44, 45; 294/138; D3/201, 246,  
303, 247, 252; 150/106; 402/4, 73, 79,  
80 R, 80 P

(56) **References Cited**

**U.S. PATENT DOCUMENTS**

1,136,598 A *	4/1915	Gould	.....	294/138
1,492,677 A *	5/1924	Dunbar et al.	.....	150/106
2,190,055 A *	2/1940	Davidson	.....	281/34
2,523,129 A *	9/1950	Maier	.....	294/138
4,036,417 A *	7/1977	Traphagan	.....	294/138
D349,725 S *	8/1994	Roy	.....	D19/26
D417,695 S *	12/1999	Riley	.....	D19/26

**OTHER PUBLICATIONS**

Borders.com, "Beginner's Bible/Bible Cover Gift Set,"  
Zondervan Publishing House, (Oct. 27, 1999).

\* cited by examiner

*Primary Examiner*—Martie K. Holtje

(74) *Attorney, Agent, or Firm*—Salter & Michaelson

(57) **CLAIM**

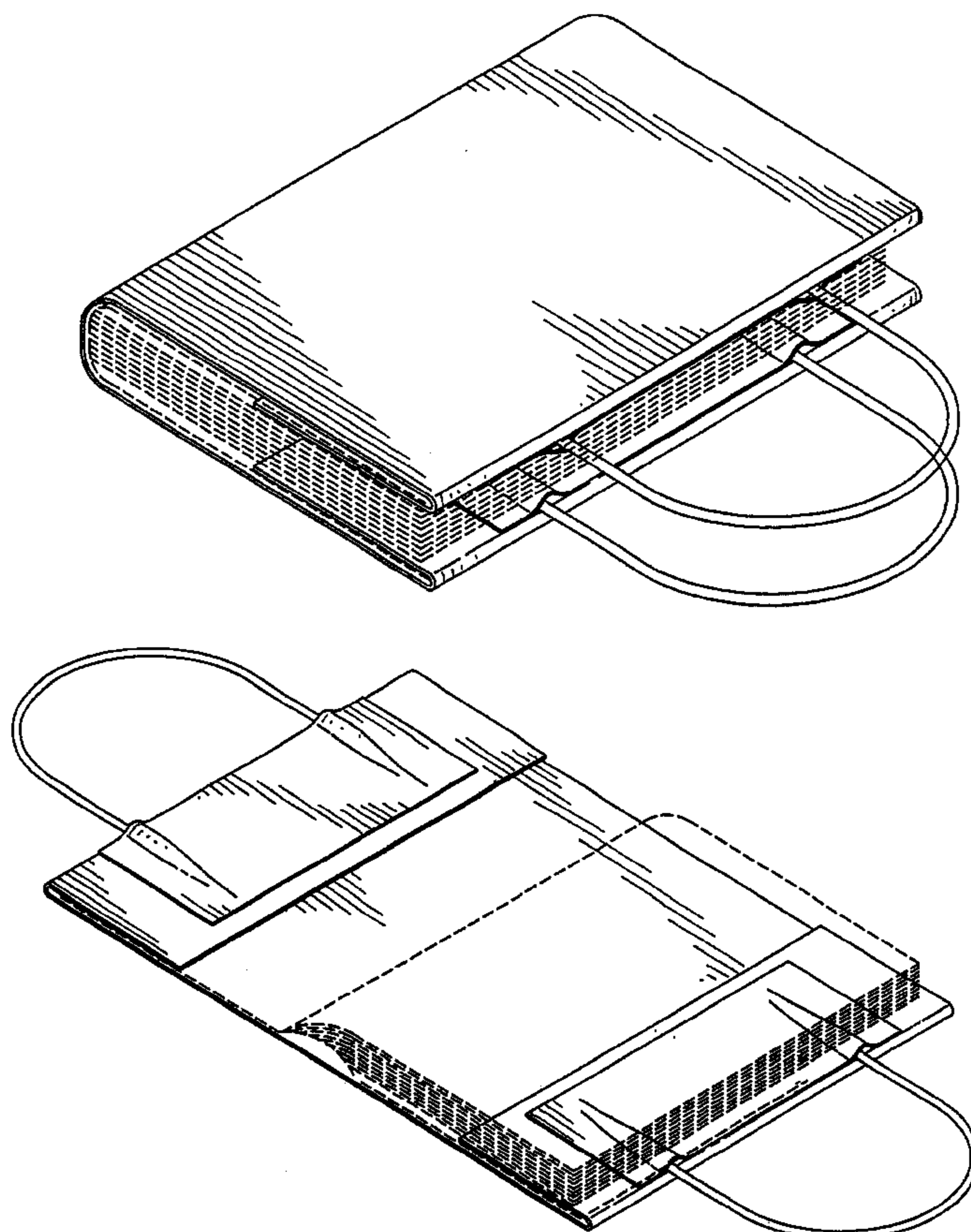
The ornamental design for a book cover with handles, as  
shown and described.

**DESCRIPTION**

FIG. 1 is a perspective view of a book cover with handles  
showing my new design in a closed position;  
FIG. 2 is a perspective view of the book cover in an opened  
position;  
FIG. 3 is a perspective view of the book cover in an opened  
position;  
FIG. 4 is a top plan view thereof;  
FIG. 5 is a bottom plan view thereof;  
FIG. 6 is a front elevational view thereof;  
FIG. 7 is a rear elevational view thereof;  
FIG. 8 is a right side elevational view thereof; and,  
FIG. 9 is a left side elevational view thereof.

The portions shown in broken lines are included for illus-  
trative purposes only and form no part of the claimed design.

**1 Claim, 4 Drawing Sheets**



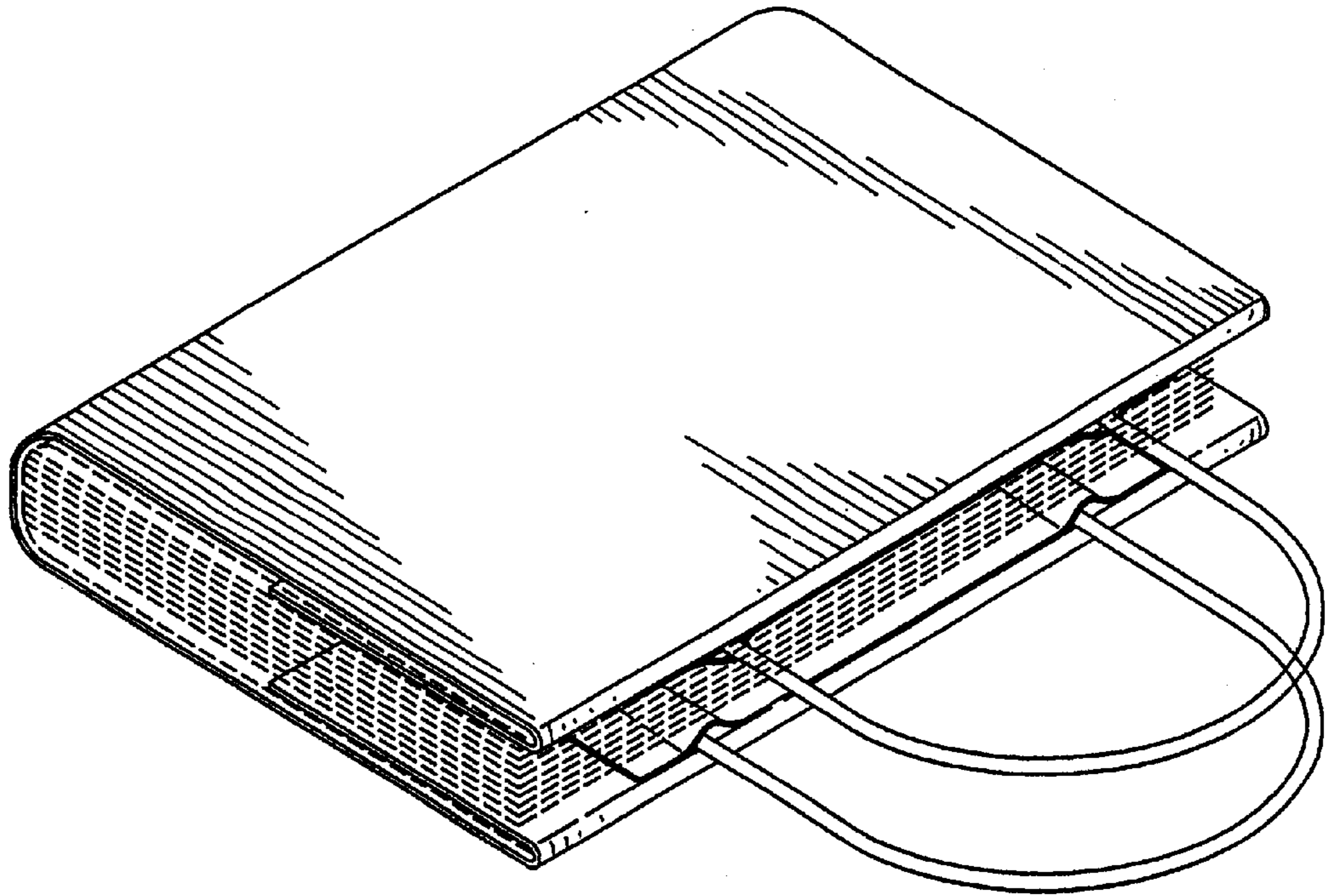


FIG. 1

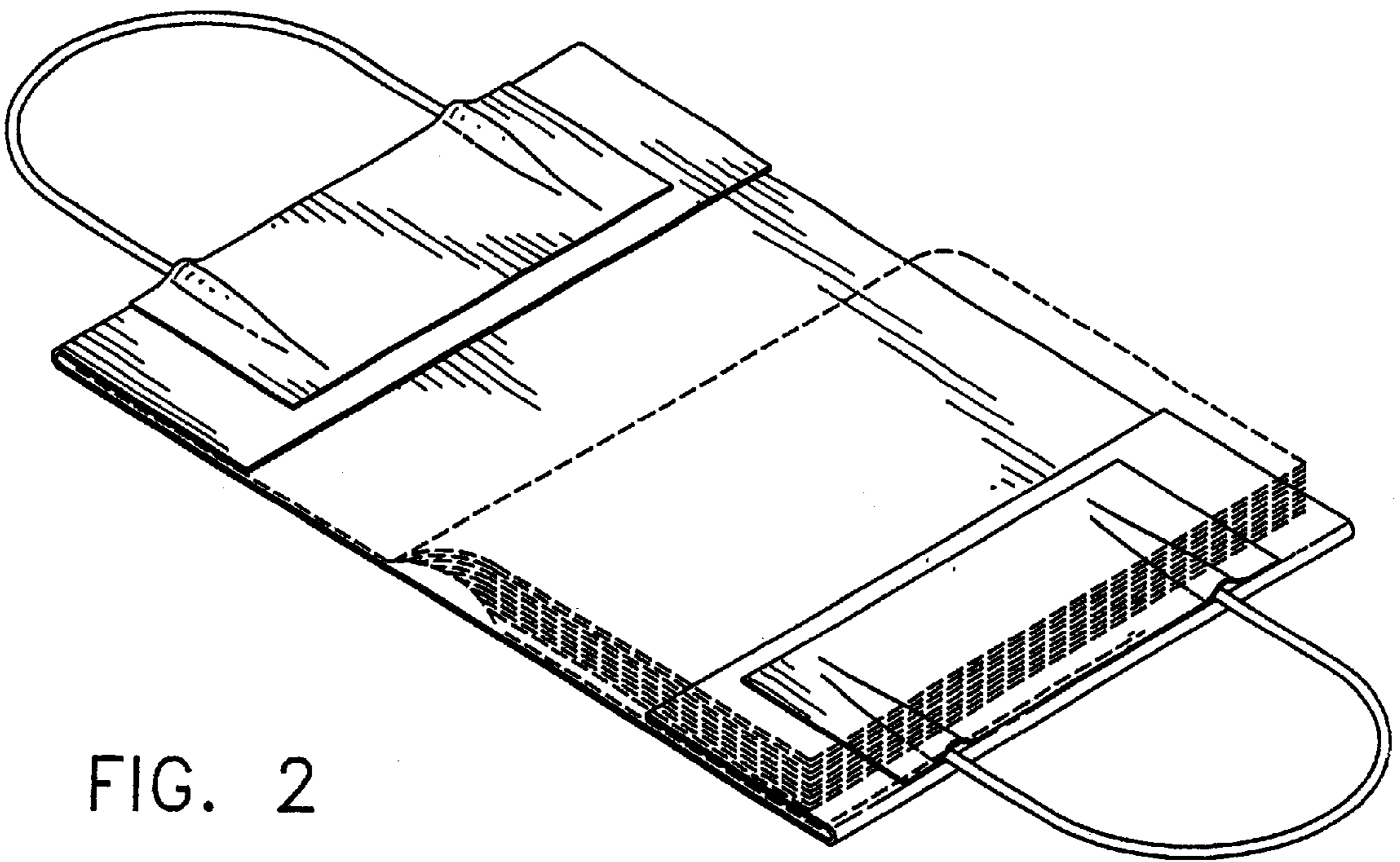


FIG. 2

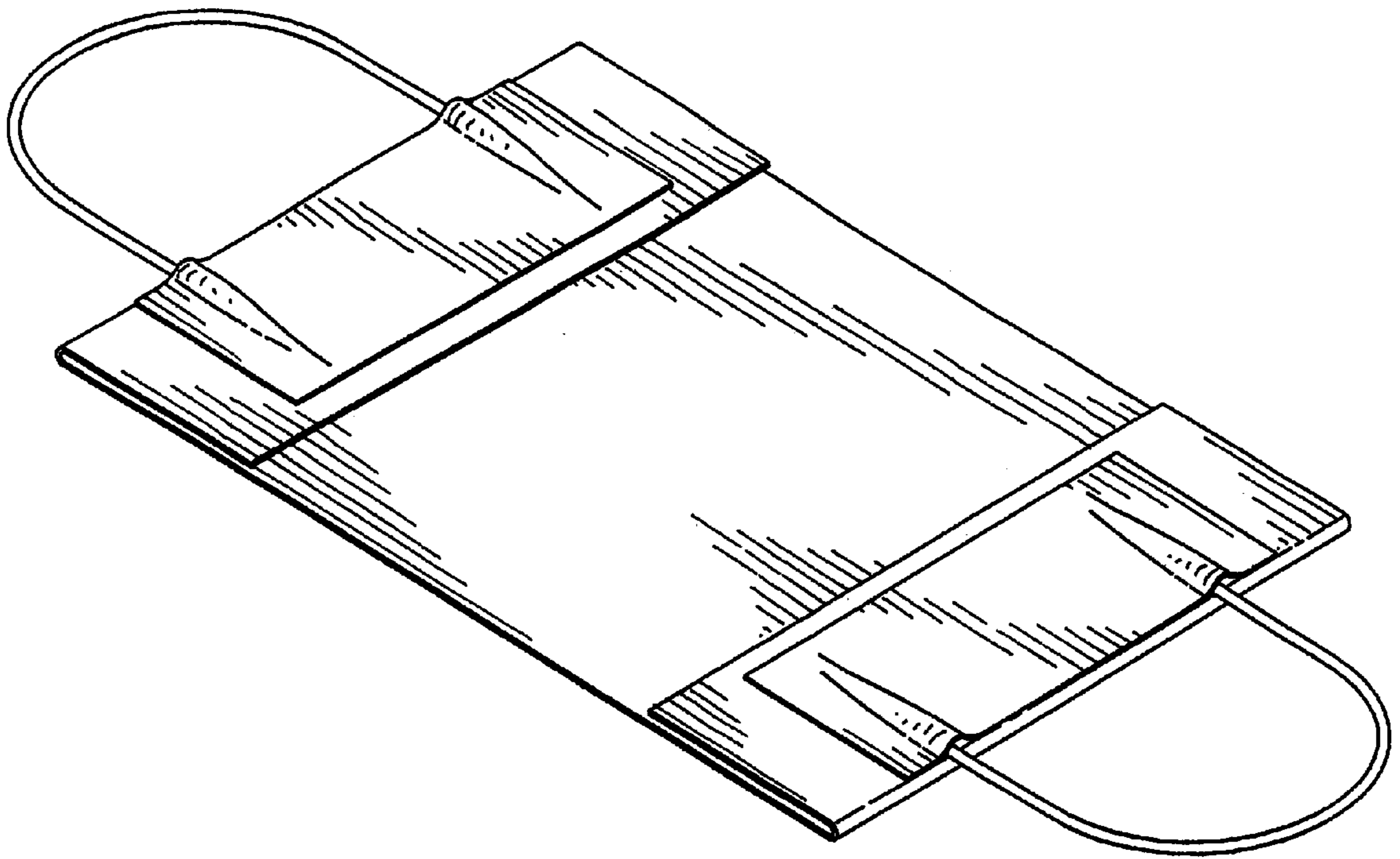


FIG. 3

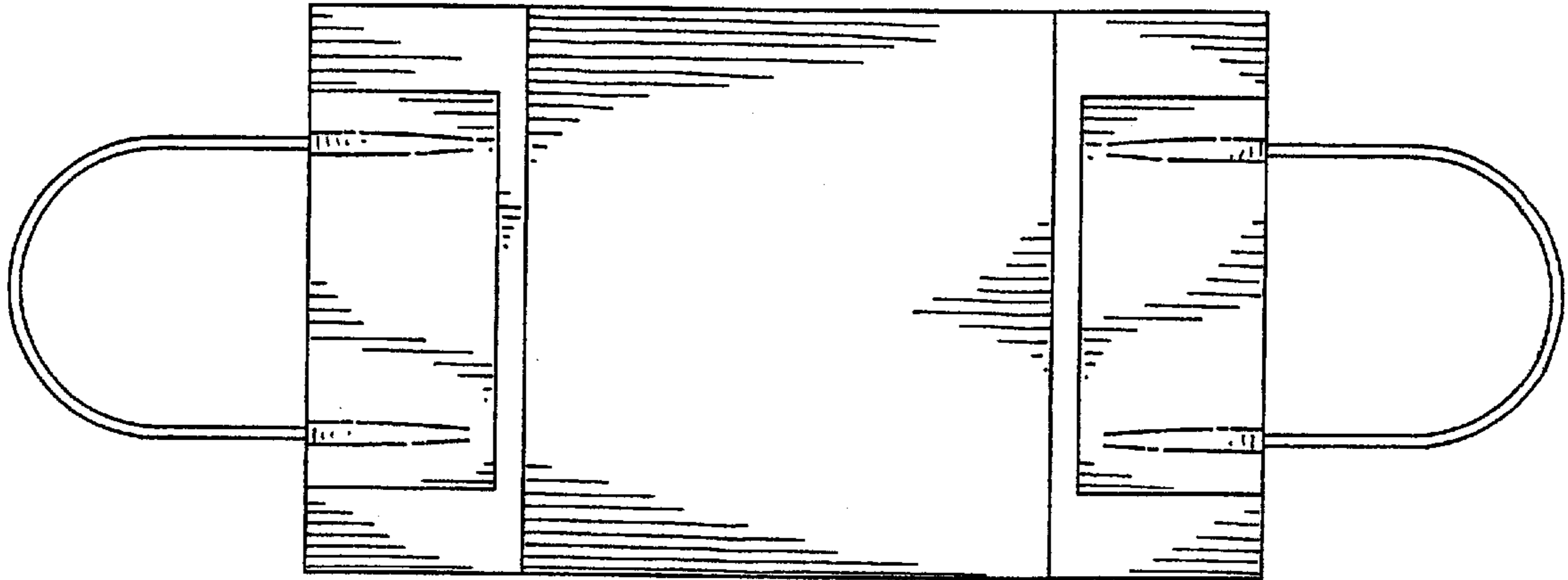


FIG. 4

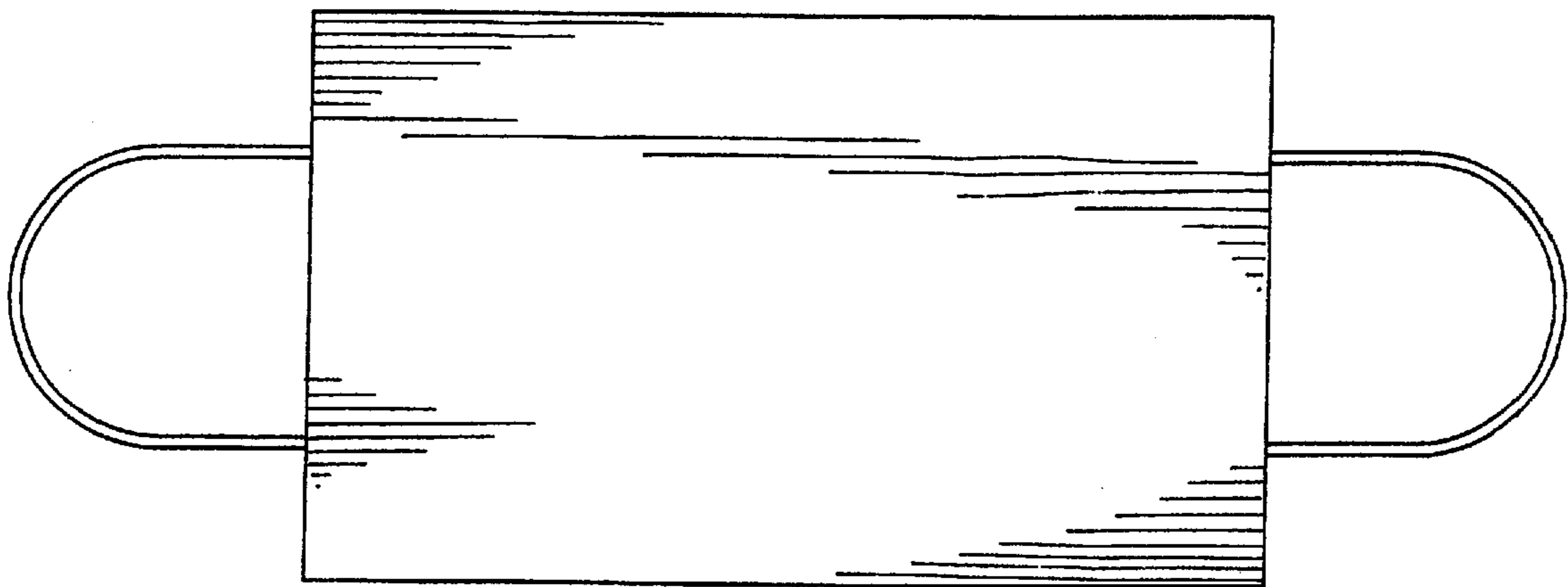


FIG. 5



FIG. 6



FIG. 7

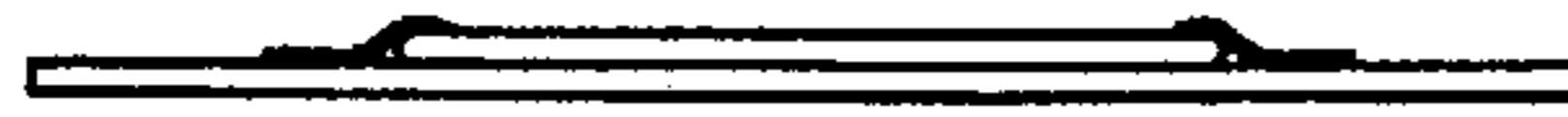


FIG. 8

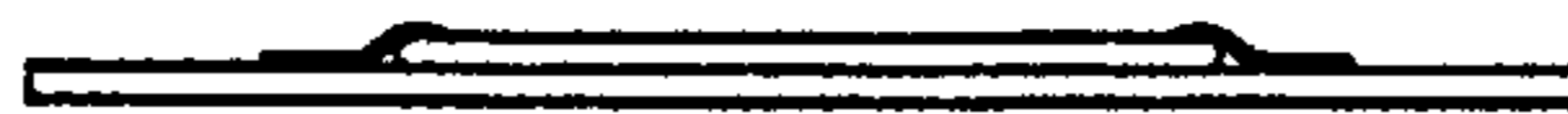


FIG. 9