



US00D462985S

(12) **United States Design Patent**
Katayama

(10) **Patent No.:** **US D462,985 S**

(45) **Date of Patent:** **** Sep. 17, 2002**

(54) **IMAGE OUTPUT DEVICE**

D431,594 S * 10/2000 Watanabe et al. D18/41
D443,635 S * 6/2001 Ogawa et al. D18/39

(75) Inventor: **Shigeharu Katayama**, Kakamigahara (JP)

* cited by examiner

(73) Assignee: **Brother Industries, Ltd.**, Nagoya (JP)

Primary Examiner—Caron D. Veynar

(74) *Attorney, Agent, or Firm*—Oliff & Berridge, PLC

(**) Term: **14 Years**

(57) **CLAIM**

(21) Appl. No.: **29/149,818**

The ornamental design for an image output device, as shown and described.

(22) Filed: **Oct. 19, 2001**

DESCRIPTION

(30) **Foreign Application Priority Data**

Jun. 19, 2001 (JP) 2001-017760

(51) **LOC (7) Cl.** **16-03**

(52) **U.S. Cl.** **D18/41**

(58) **Field of Search** D18/36-41; 399/1, 399/3, 81; 355/400

FIG. 1 is a perspective view of image output device;

FIG. 2 is a top view thereof;

FIG. 3 is a bottom view thereof;

FIG. 4 is a left-side view thereof;

FIG. 5 is a right-side view thereof; and,

FIG. 6 is a front view thereof.

The rear view of image output device contains no ornamentality and is therefore omitted.

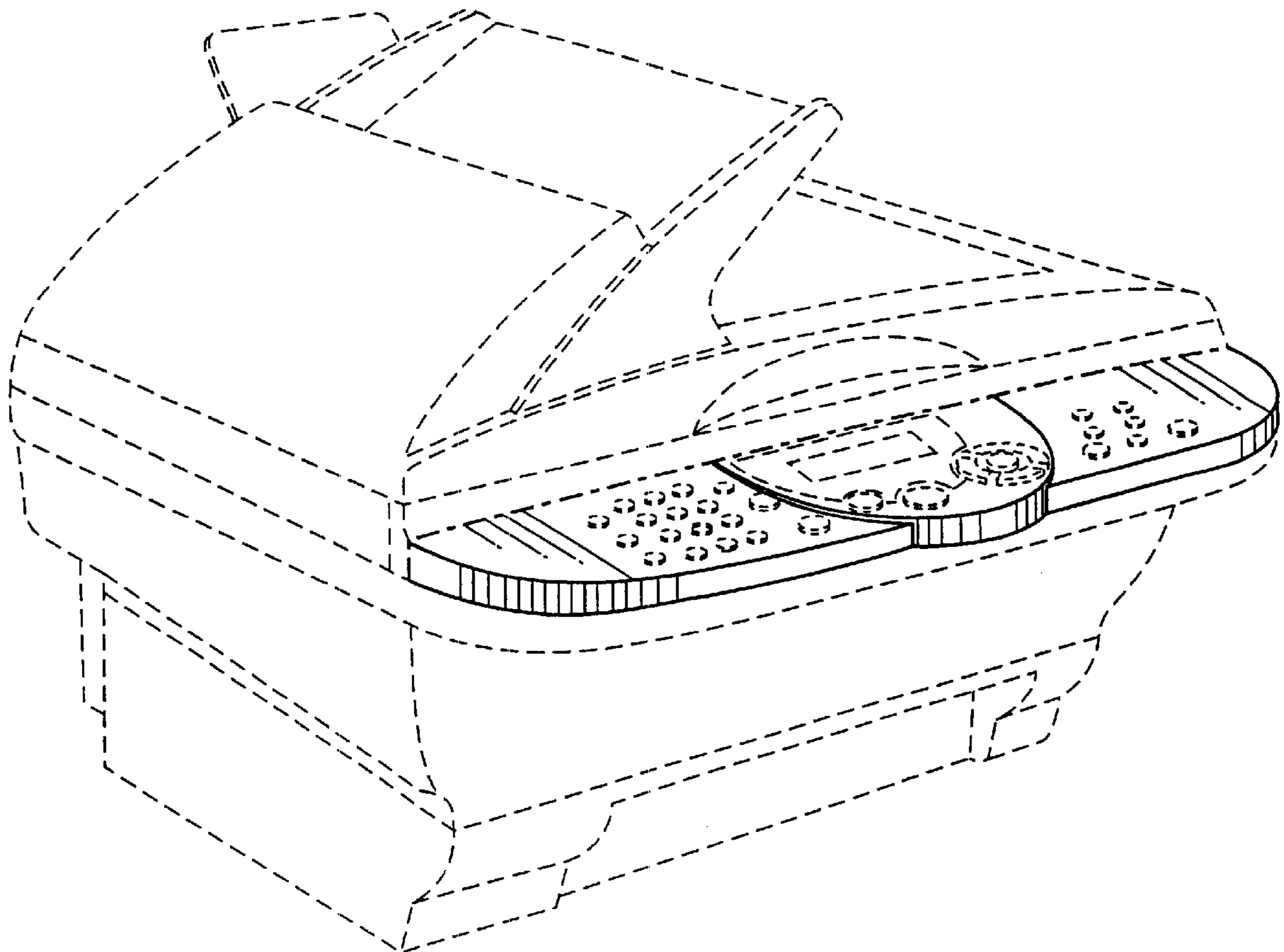
The broken lines define the bounds of the claimed design but do not form part of the claimed design.

(56) **References Cited**

U.S. PATENT DOCUMENTS

D408,843 S * 4/1999 Kusanagi D18/36

1 Claim, 4 Drawing Sheets



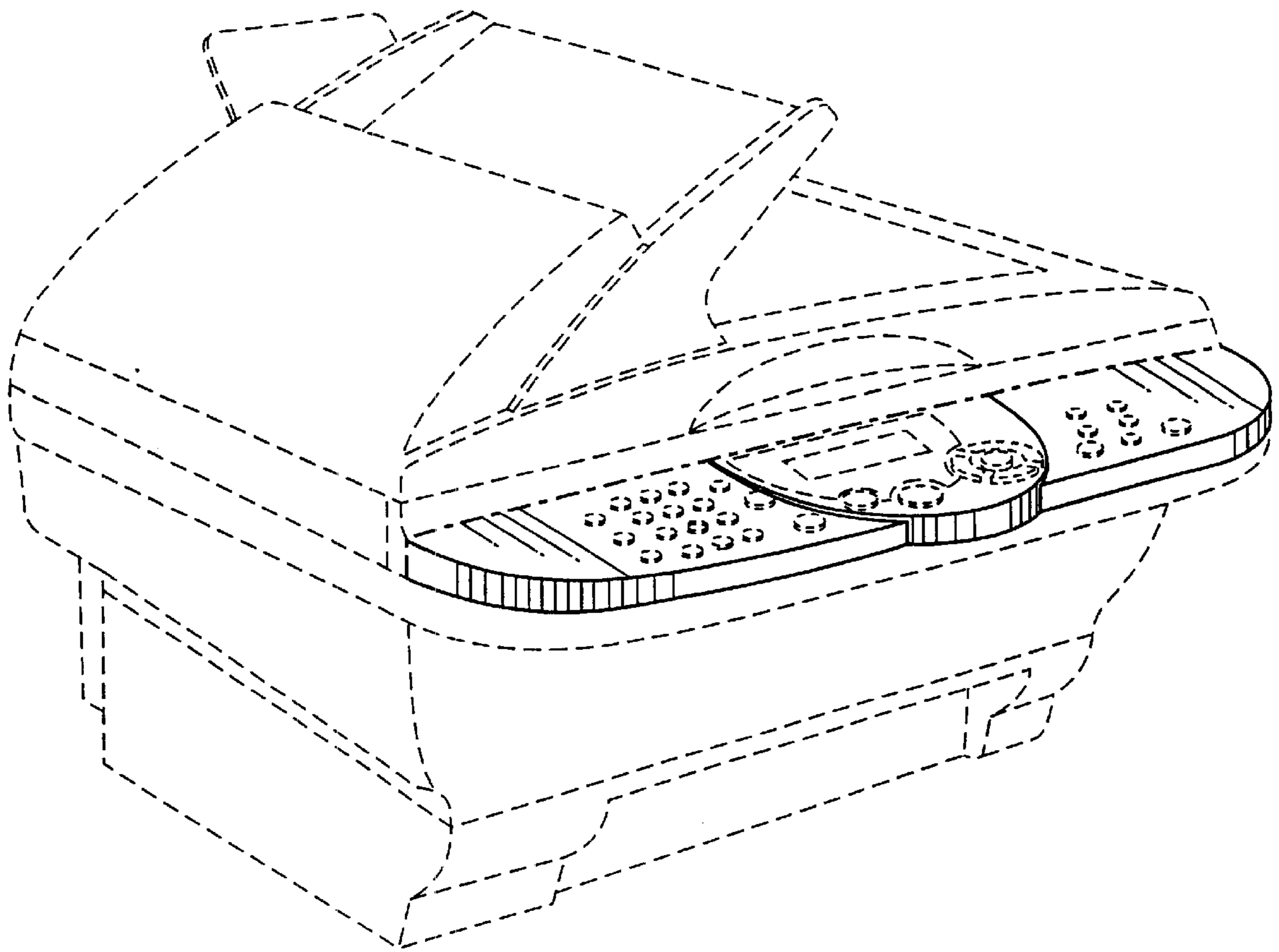


FIG. 1

FIG. 2

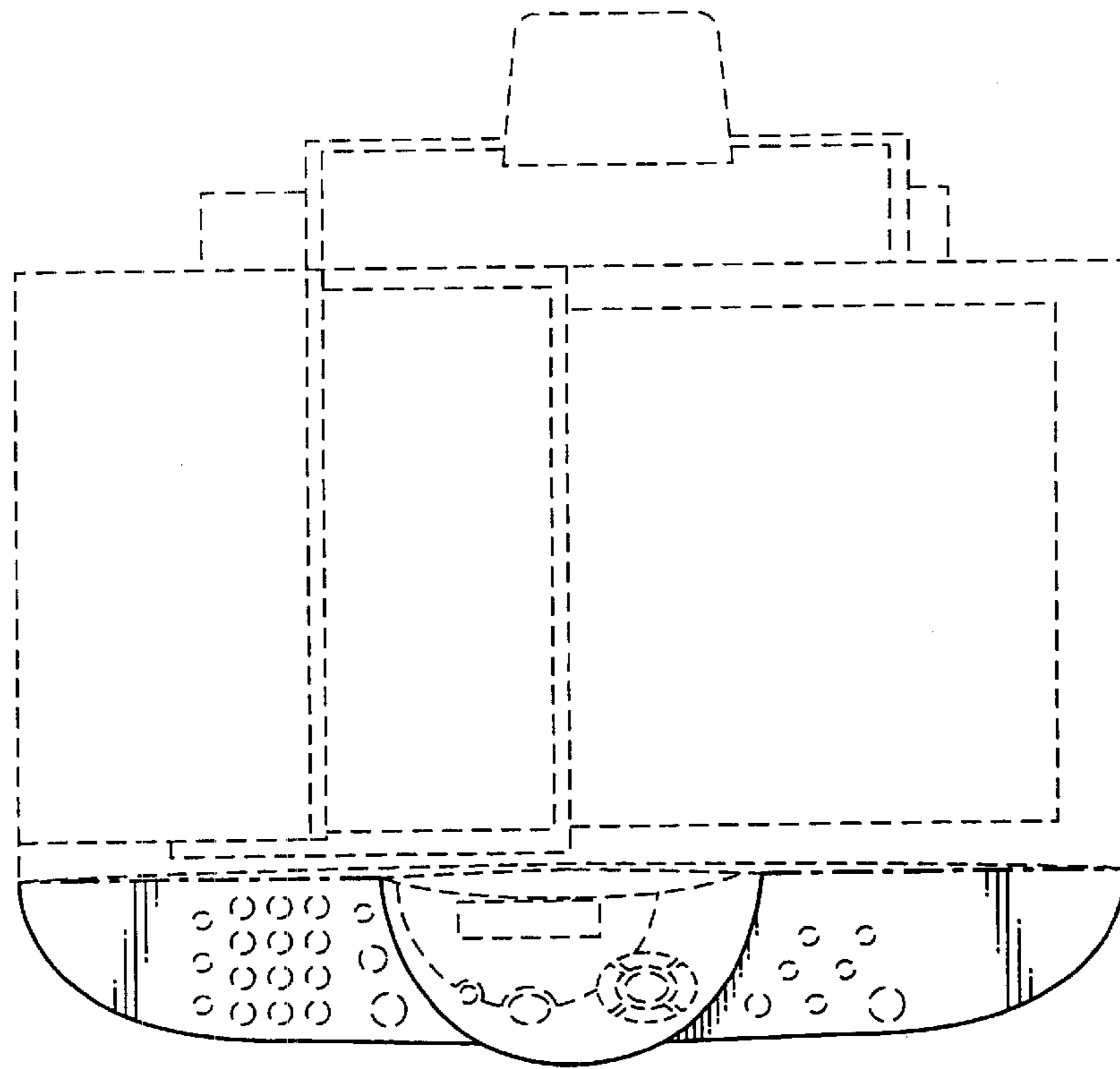
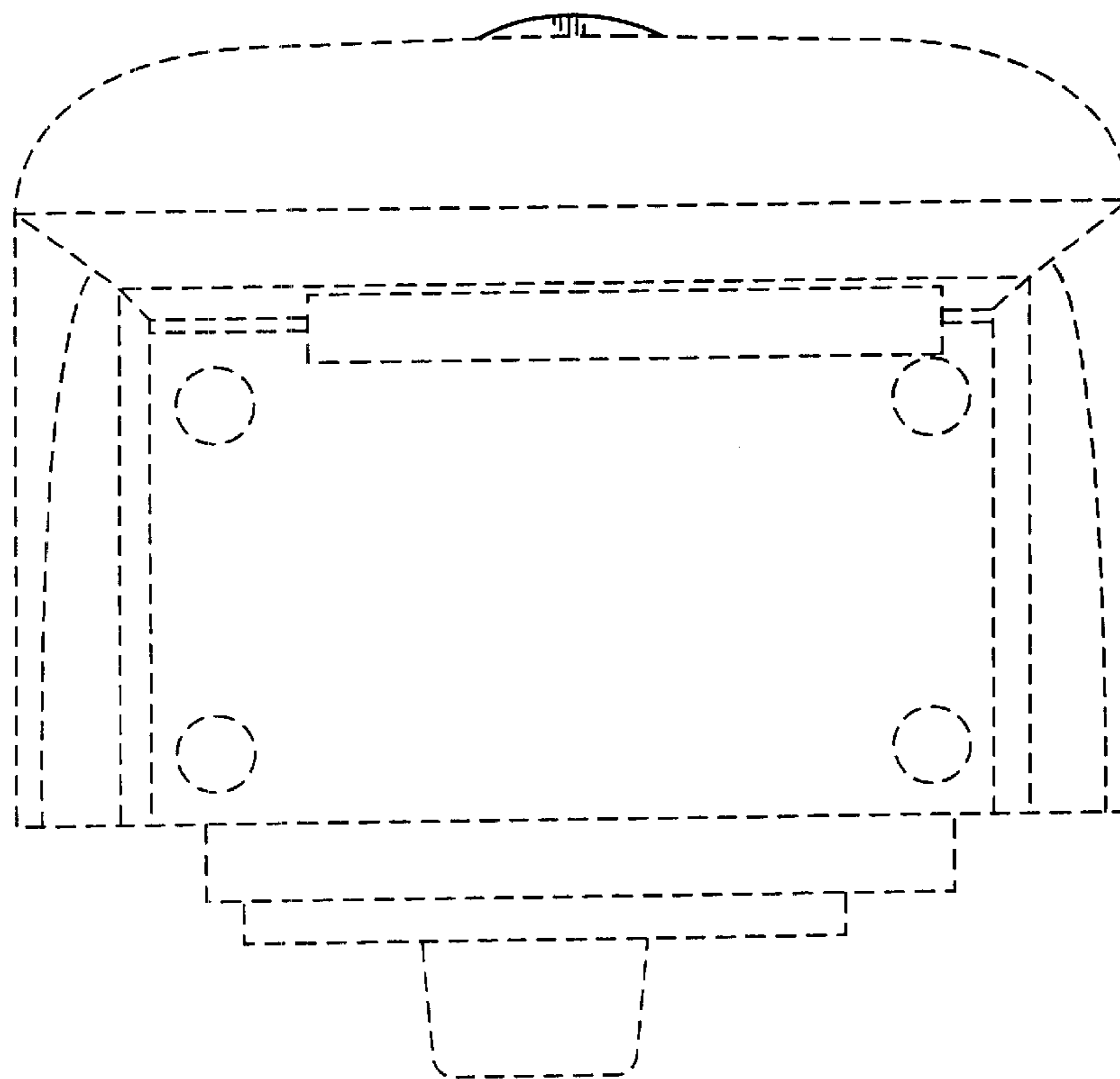


FIG. 3



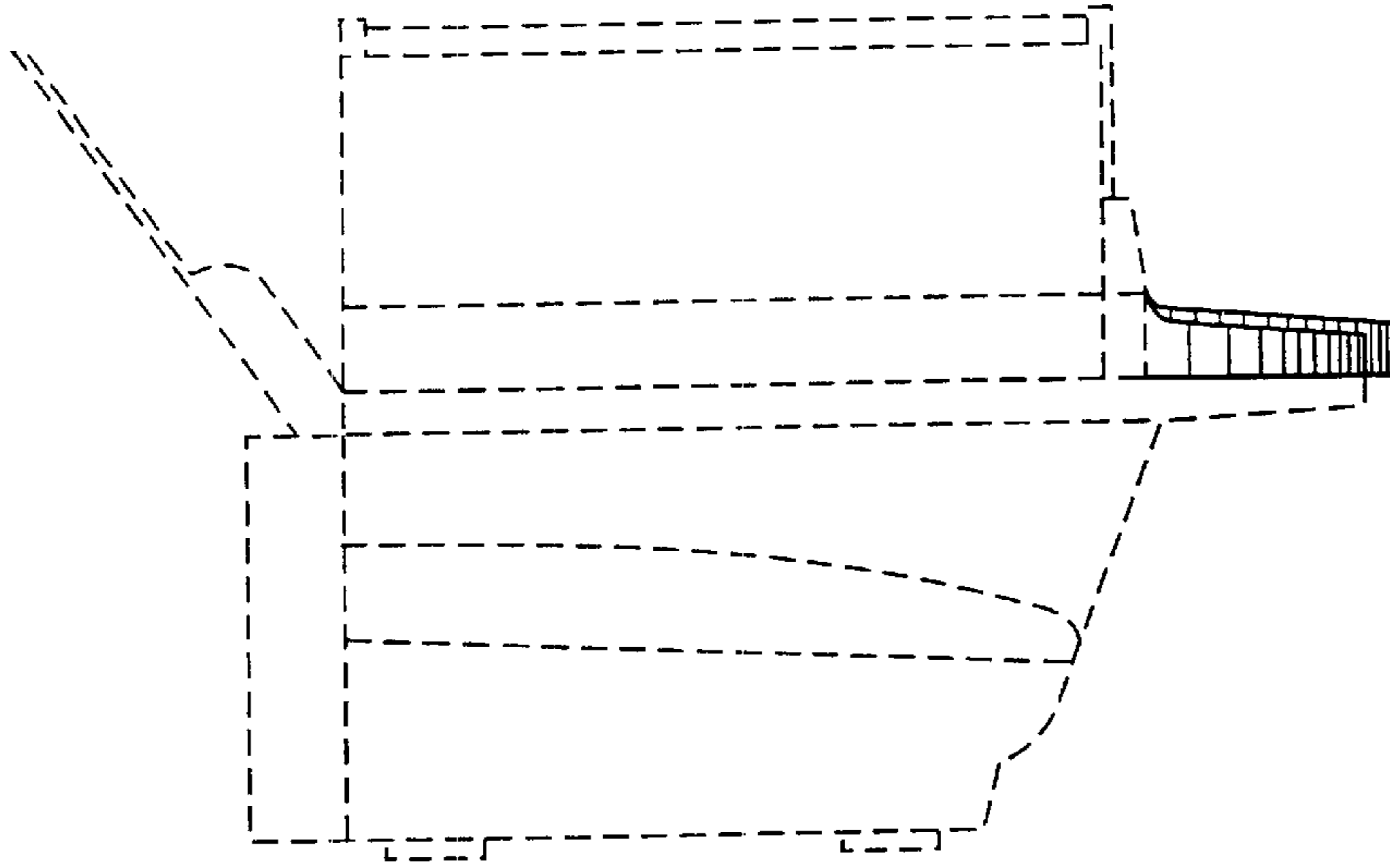


FIG. 4

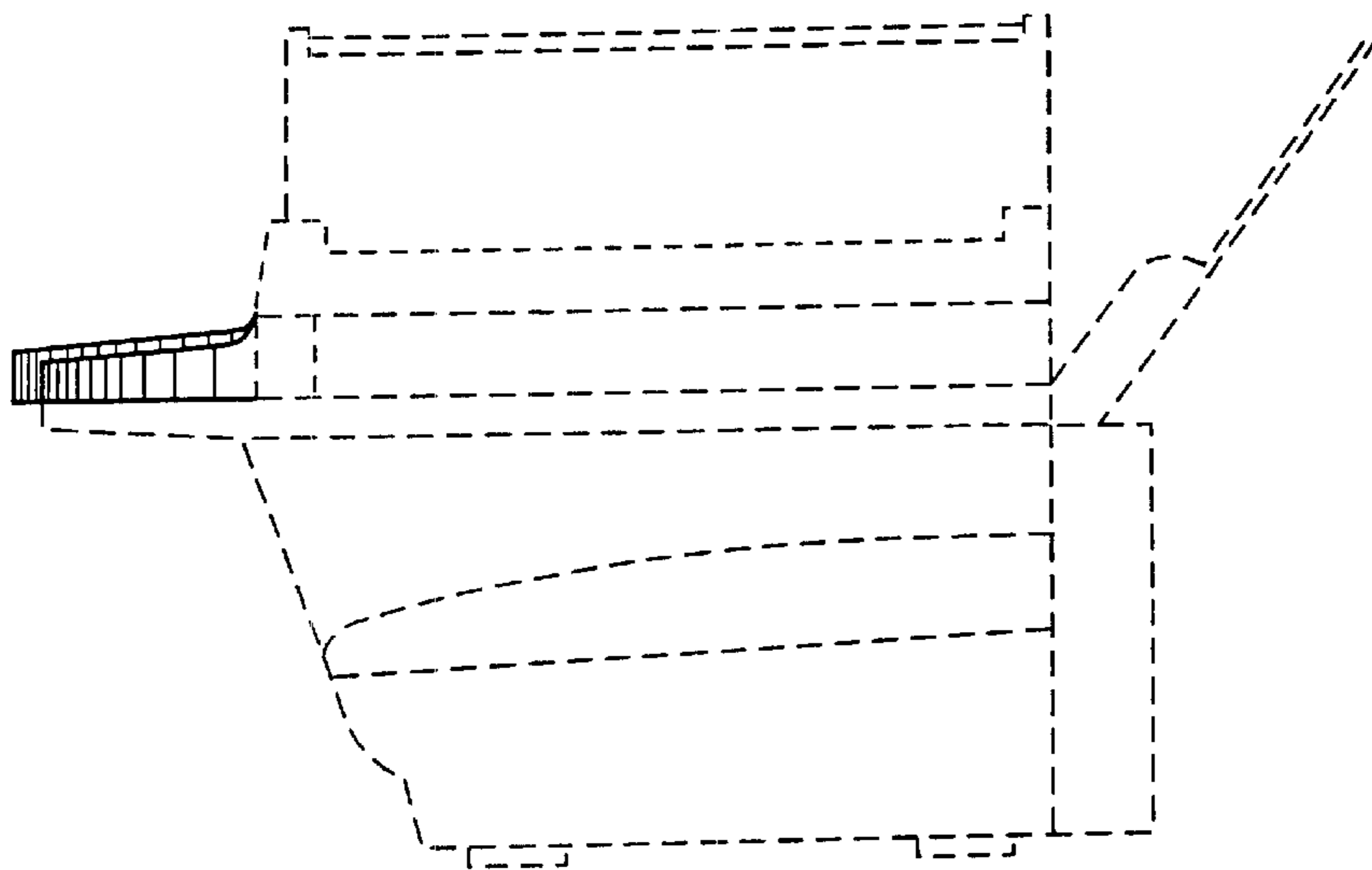


FIG. 5

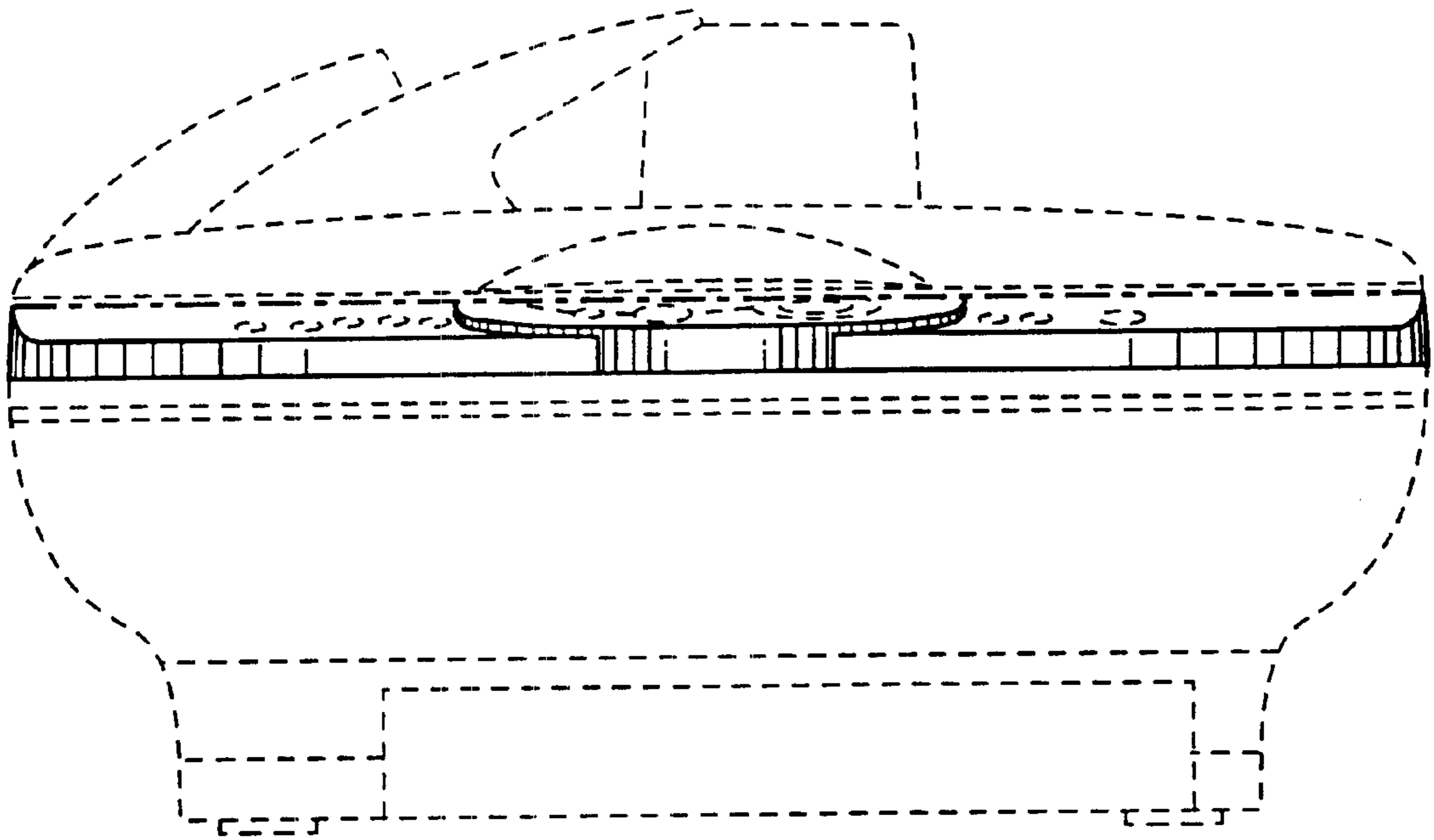


FIG. 6