



US00D462984S

(12) **United States Design Patent**  
**Hayashi et al.**

(10) **Patent No.:** **US D462,984 S**

(45) **Date of Patent:** **\*\* Sep. 17, 2002**

(54) **IMAGE FORMING APPARATUS**

(75) Inventors: **Hideki Hayashi**, Fujimi (JP); **Teruhiko Sasaki**, Mishima (JP); **Satoshi Kurihara**, Mishima (JP); **Minoru Sato**, Numazu (JP); **Shinya Noda**, Mishima (JP)

(73) Assignee: **Canon Kabushiki Kaisha**, Tokyo (JP)

(\*\*) Term: **14 Years**

(21) Appl. No.: **29/146,350**

(22) Filed: **Aug. 9, 2001**

(30) **Foreign Application Priority Data**

Feb. 20, 2001 (JP) ..... 2001-003775

(51) **LOC (7) Cl.** ..... **16-03**

(52) **U.S. Cl.** ..... **D18/40**

(58) **Field of Search** ..... D18/36, 40, 43,  
D18/56; 222/DIG. 1; 399/24-28, 61, 99,  
106, 111, 262

(56) **References Cited**

**U.S. PATENT DOCUMENTS**

D394,082 S \* 5/1998 Tashiro et al. .... D18/43

D410,489 S \* 6/1999 Miyazawa ..... D18/43  
D415,191 S \* 10/1999 Okada ..... D18/43  
D419,181 S \* 1/2000 Matsumoto ..... D18/40

\* cited by examiner

*Primary Examiner*—Caron D. Veynar

(74) *Attorney, Agent, or Firm*—Fitzpatrick, Cella, Harper & Scinto

(57) **CLAIM**

The ornamental design for an image forming apparatus, as shown and described.

**DESCRIPTION**

FIG. 1 is a front view of an image forming apparatus showing our new design;

FIG. 2 is a rear view thereof;

FIG. 3 is a top plan view thereof;

FIG. 4 is a bottom plan view thereof;

FIG. 5 is a left side view thereof;

FIG. 6 is a right side view thereof;

FIG. 7 is a perspective view as viewed from right and top direction thereof; and,

FIG. 8 is a perspective view as viewed from left and bottom direction thereof.

**1 Claim, 6 Drawing Sheets**

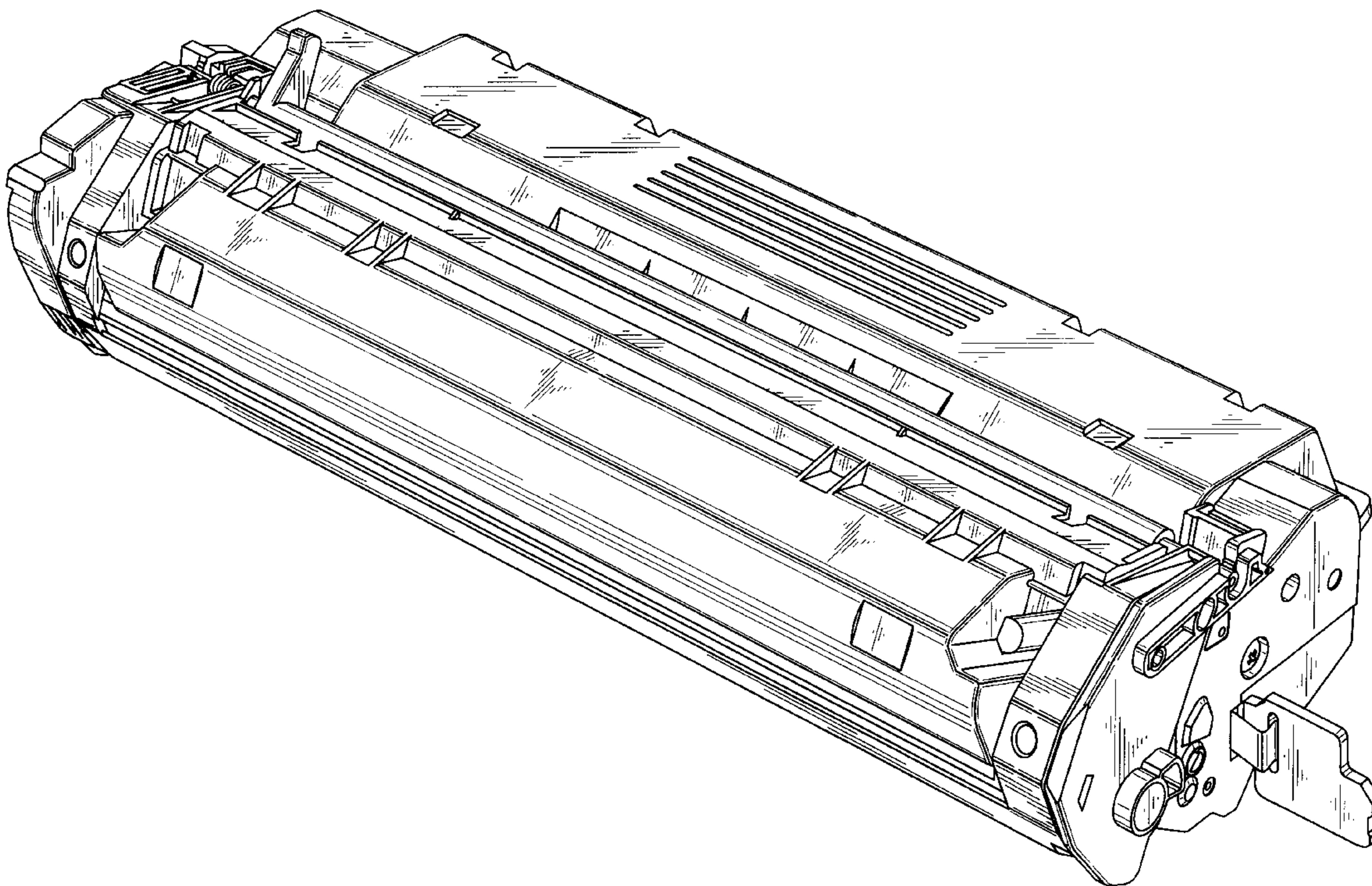


FIG. 1

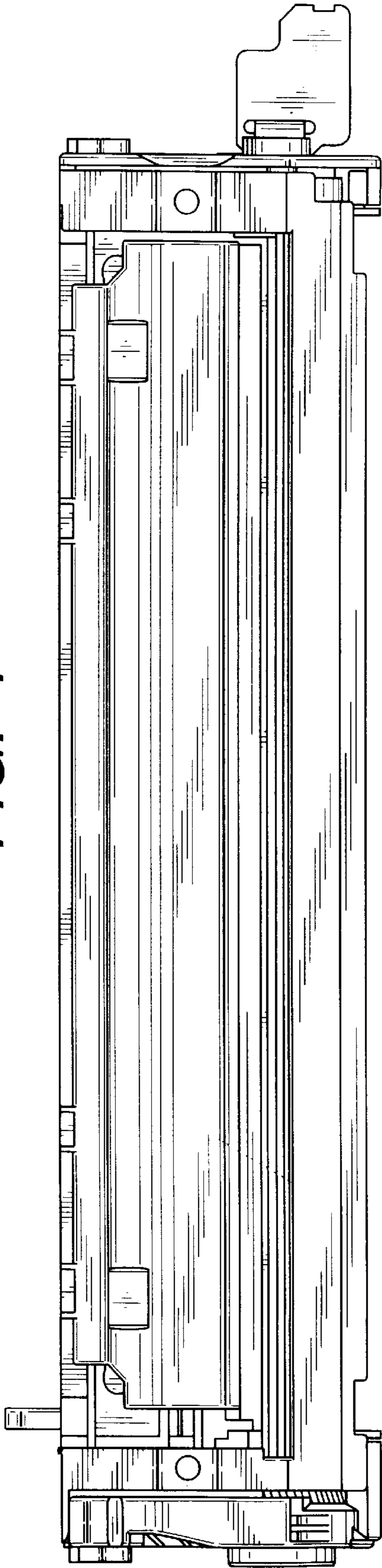


FIG. 2

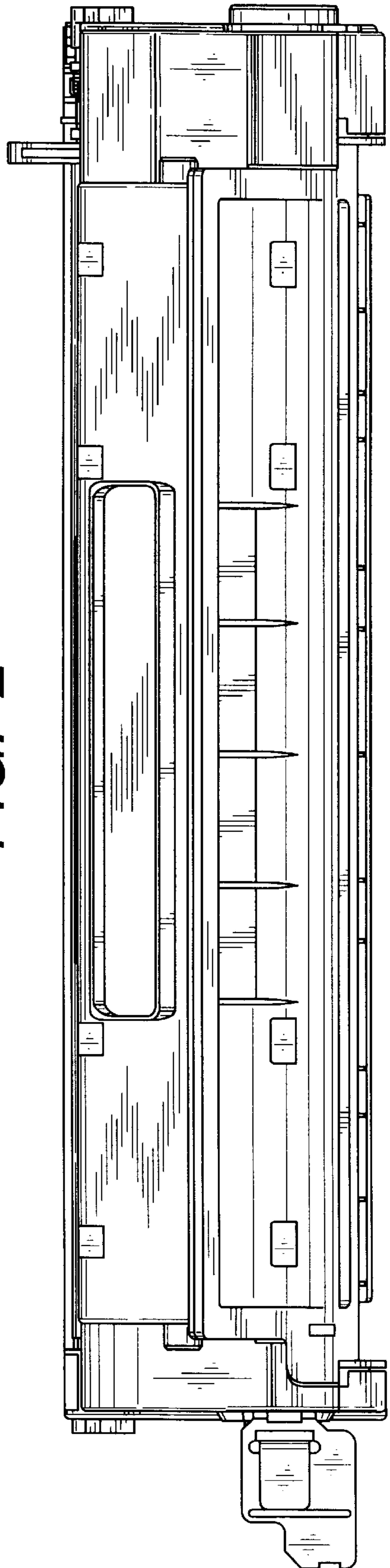


FIG. 3

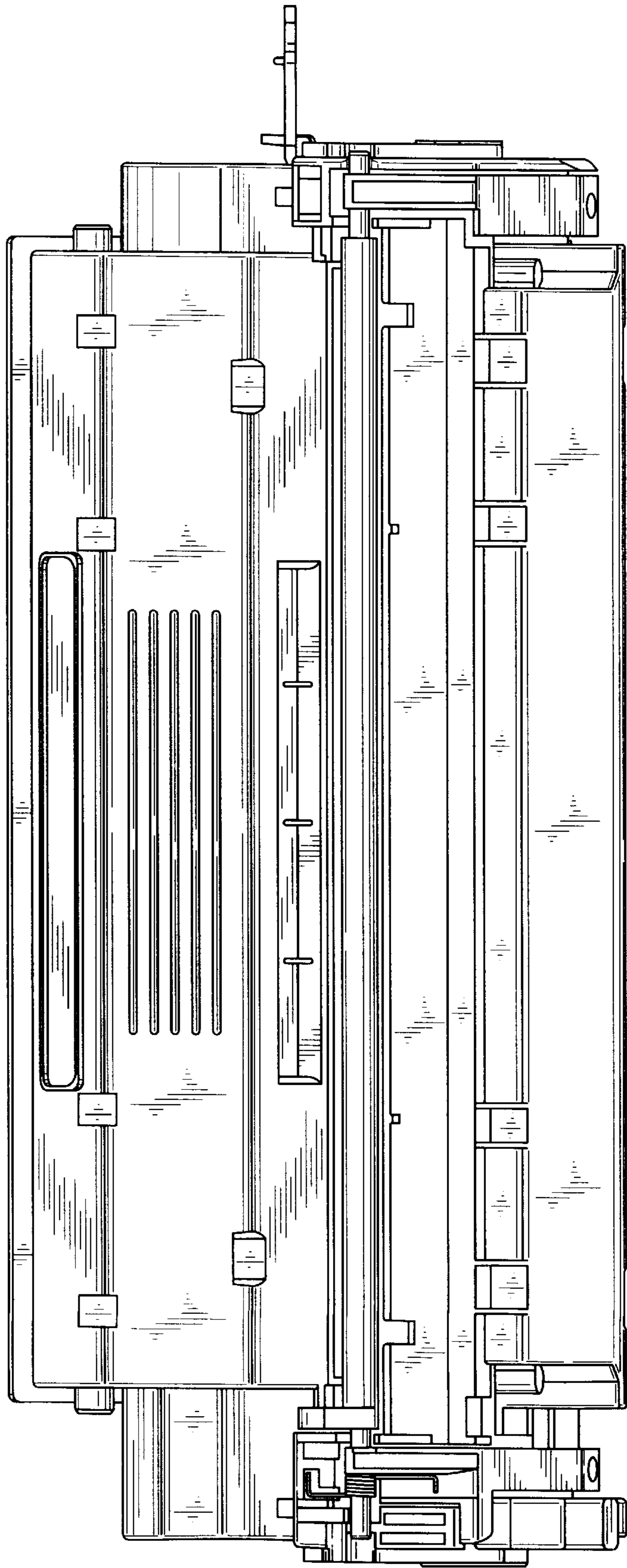
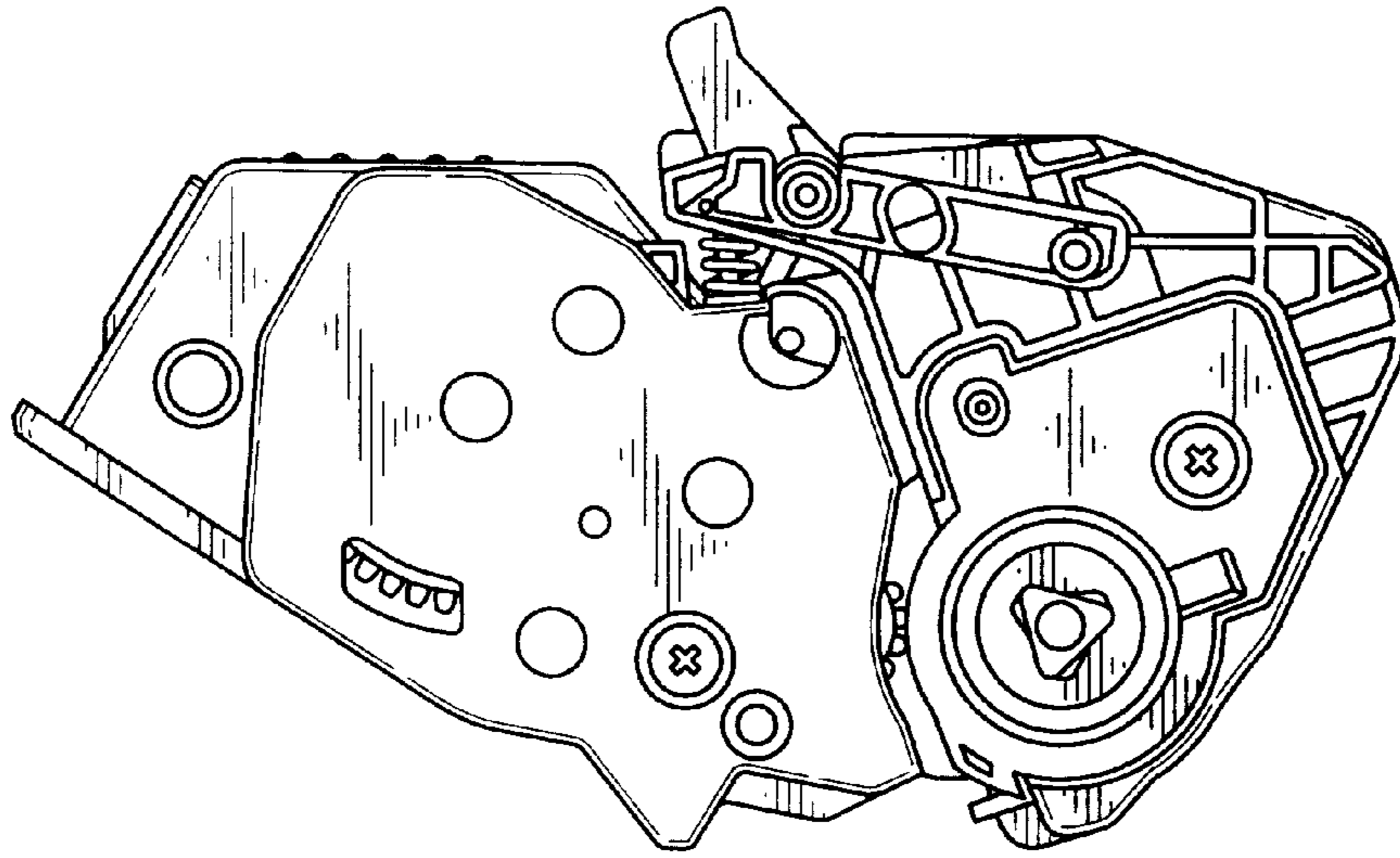




FIG. 4



**FIG. 5**



**FIG. 6**

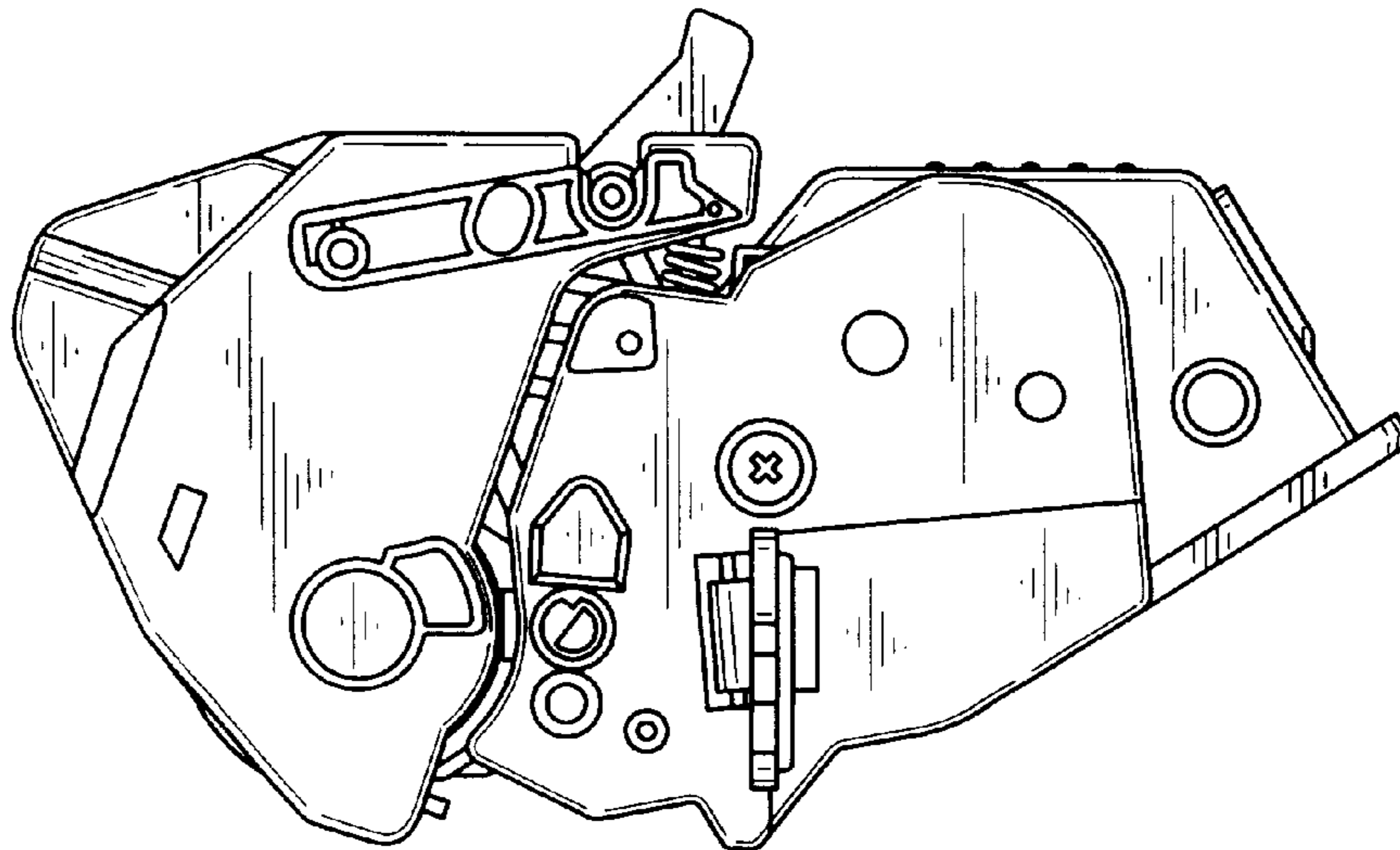
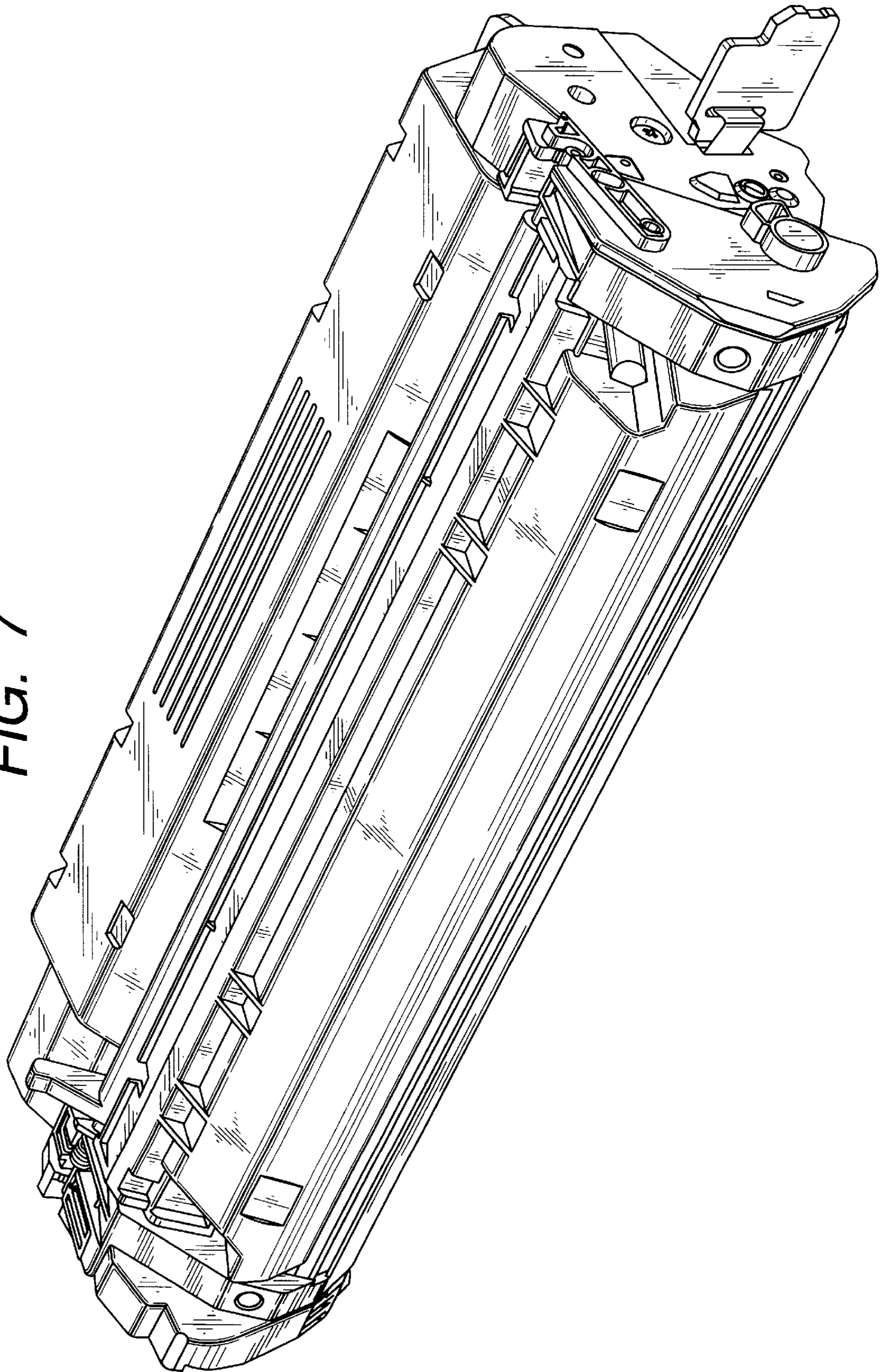


FIG. 7





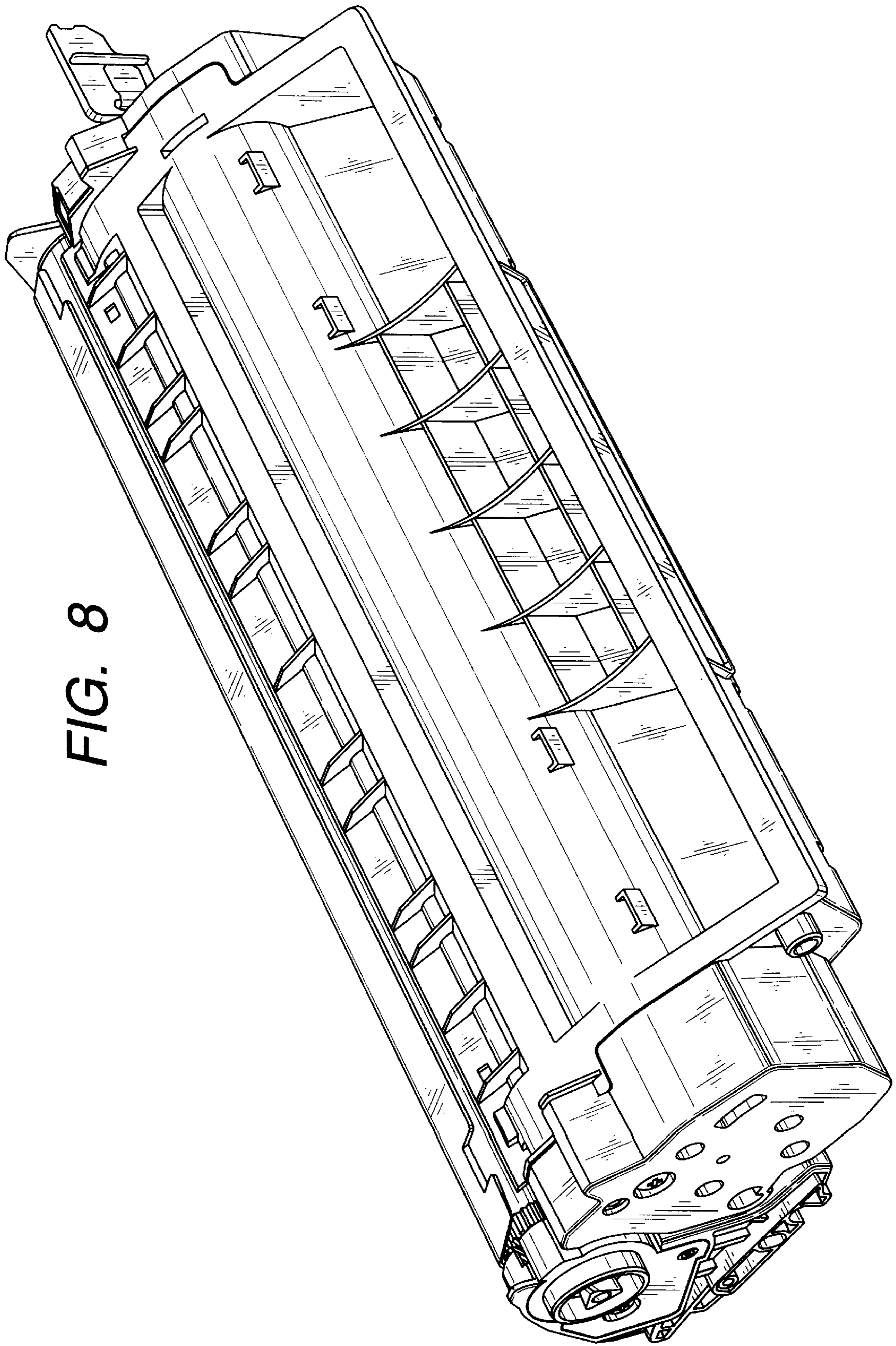


FIG. 8