



US00D462983S

(12) **United States Design Patent**
Lum

(10) **Patent No.:** **US D462,983 S**

(45) **Date of Patent:** **** Sep. 17, 2002**

(54) **POS DISPLAY**

(75) Inventor: **Jackson Lum**, Roslyn, NY (US)

(73) Assignee: **Logic Controls, Inc.**, New Hyde Park, NY (US)

(**) Term: **14 Years**

(21) Appl. No.: **29/126,689**

(22) Filed: **Jul. 19, 2000**

(51) **LOC (7) Cl.** **18-01**

(52) **U.S. Cl.** **D18/12.3**

(58) **Field of Search** D18/4.1, 4.3-4.5,
D18/12.3; D14/371, 374, 375; 348/837;
340/700, 706, 711, 712; 341/22, 23; 358/248,
249, 254; 705/16

(56) **References Cited**

U.S. PATENT DOCUMENTS

D305,647 S * 1/1990 Kato et al. D14/374
D417,692 S * 12/1999 Mizusugi et al. D18/12.3
D425,036 S * 5/2000 Copus et al. D14/375

OTHER PUBLICATIONS

POS 2x20 Alpha-Numeric Display, www.emaxintl.com/html/2x20an.html, Copyright © 1997 EMAX International, Inc.

POS 2x20 Alpha-Numeric Display (Universal), www.emaxintl.com/html/universal.html, Copyright © 1997 EMAX International, Inc.

Multi-lingual/Graphic, www.emaxintl.com/html/mlg_vfd.html, Copyright © 1997 EMAX International, Inc.

POS 2x20 Alpha-Numeric Display-Double sided, www.emaxintl.com/html/2_sided.html, Copyright © 1997 EMAX International, Inc.

POS Systems, www.emaxintl.com/html/systems.html, Copyright © 1997 EMAX International, Inc.

EMAX Always on Target, p. 73, Business Solutions magazine, Jun. 2000 edition.

Logic Controls advertisement, p. 27, Business Solutions magazine, Jun. 2000 edition.

* cited by examiner

Primary Examiner—Caron D. Veynar

(74) *Attorney, Agent, or Firm*—Hoffmann & Baron, LLP

(57) **CLAIM**

The ornamental design for a POS display, as shown and described.

DESCRIPTION

FIG. 1 is a front elevational view of a POS display showing our new design;

FIG. 2 is a front perspective view thereof;

FIG. 3 is a left side elevational view thereof, the right side being a mirror image;

FIG. 4 is a top plan view thereof;

FIG. 5 is a bottom perspective of the first and second embodiments;

FIG. 6 is a front elevational view of a second embodiment, the rear view is a mirror image thereof;

FIG. 7 is a front perspective view of thereof;

FIG. 8 is a left side elevation view of FIG. 6, the right side being a mirror image thereof; and,

FIG. 9 is a top plan view of thereof.

The rear view of the first embodiment forms no part of the claimed design.

The broken lines shown in FIGS. 1-9 are for illustrative purposes only and form no part of the claimed design.

1 Claim, 9 Drawing Sheets

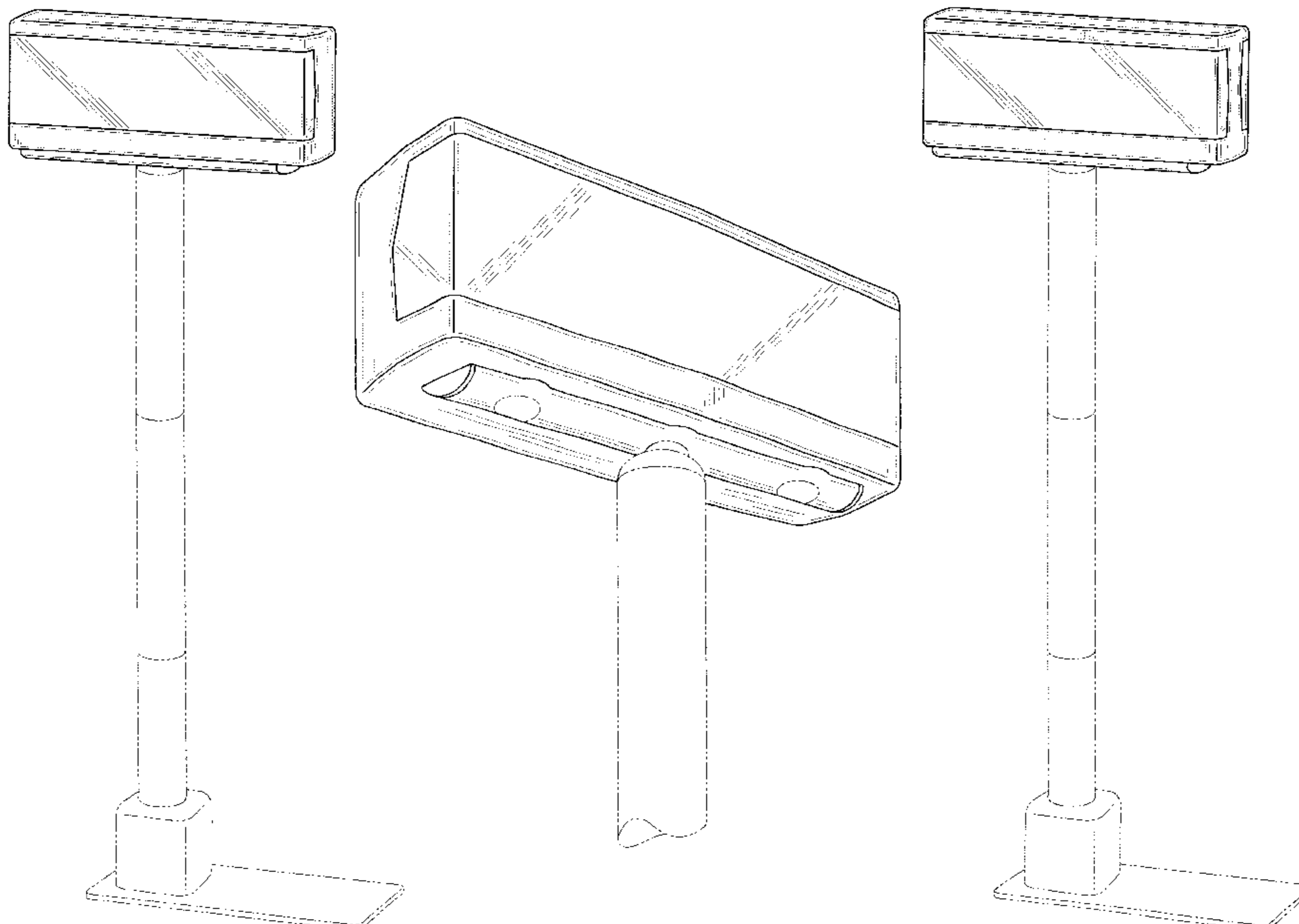


FIG. 1

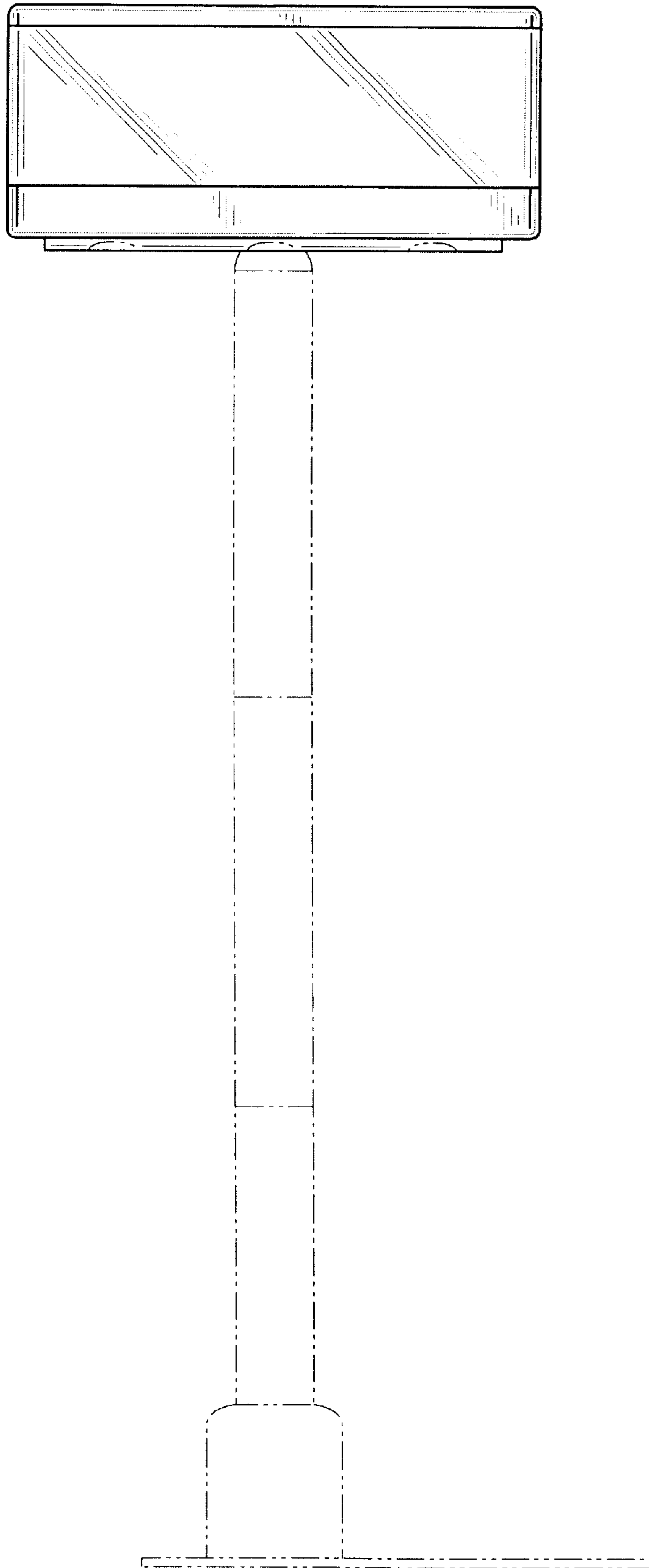


FIG. 2

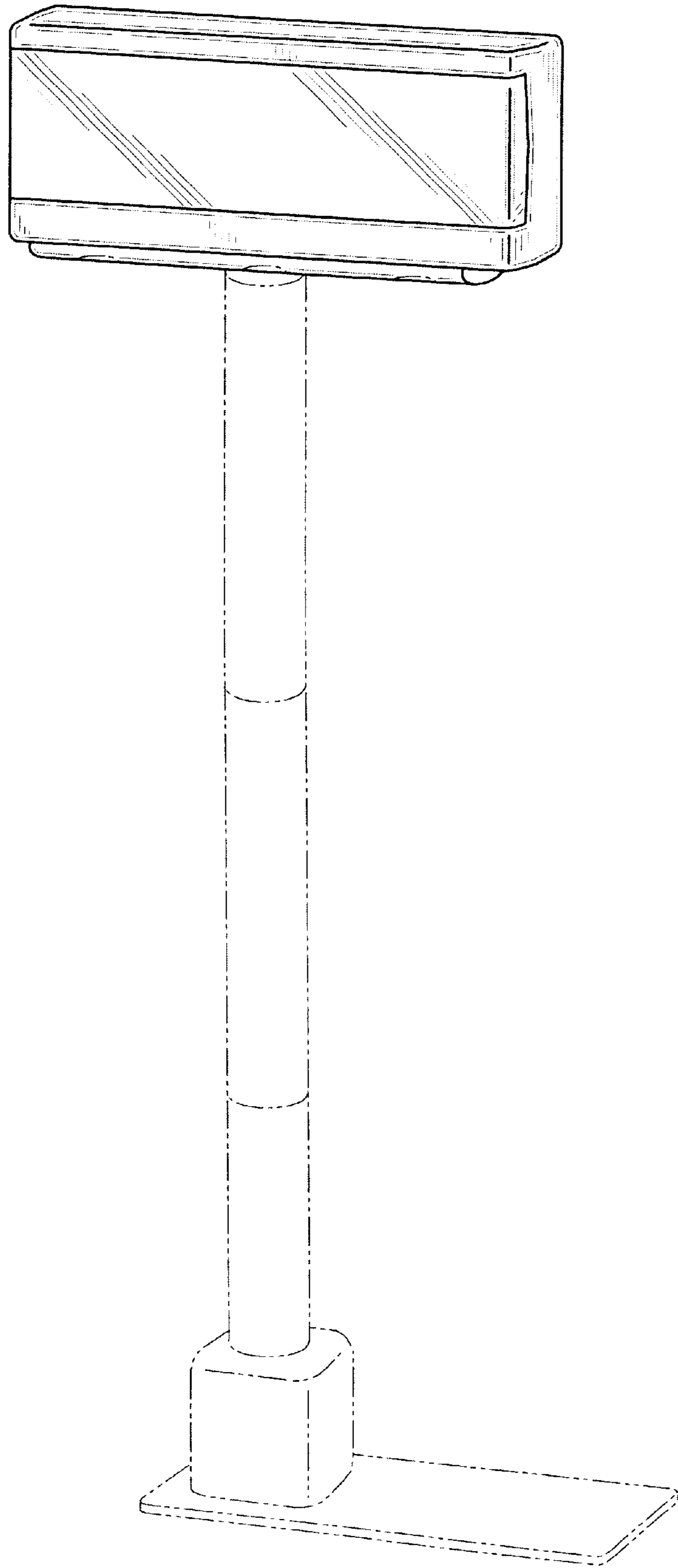


FIG. 3

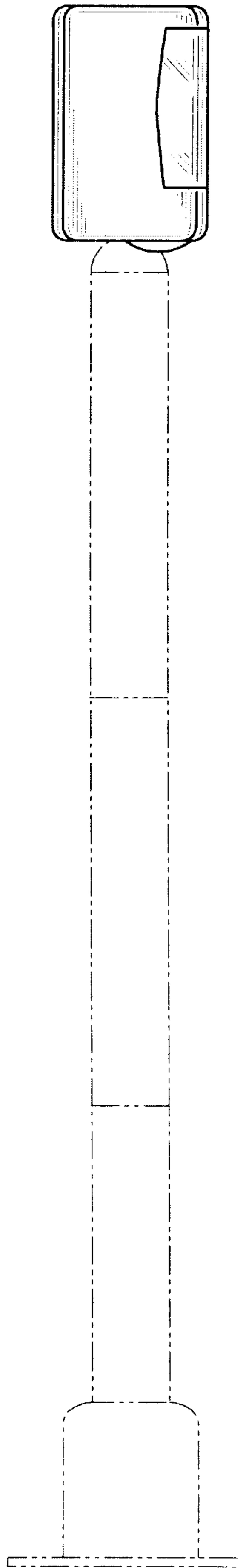


FIG. 4

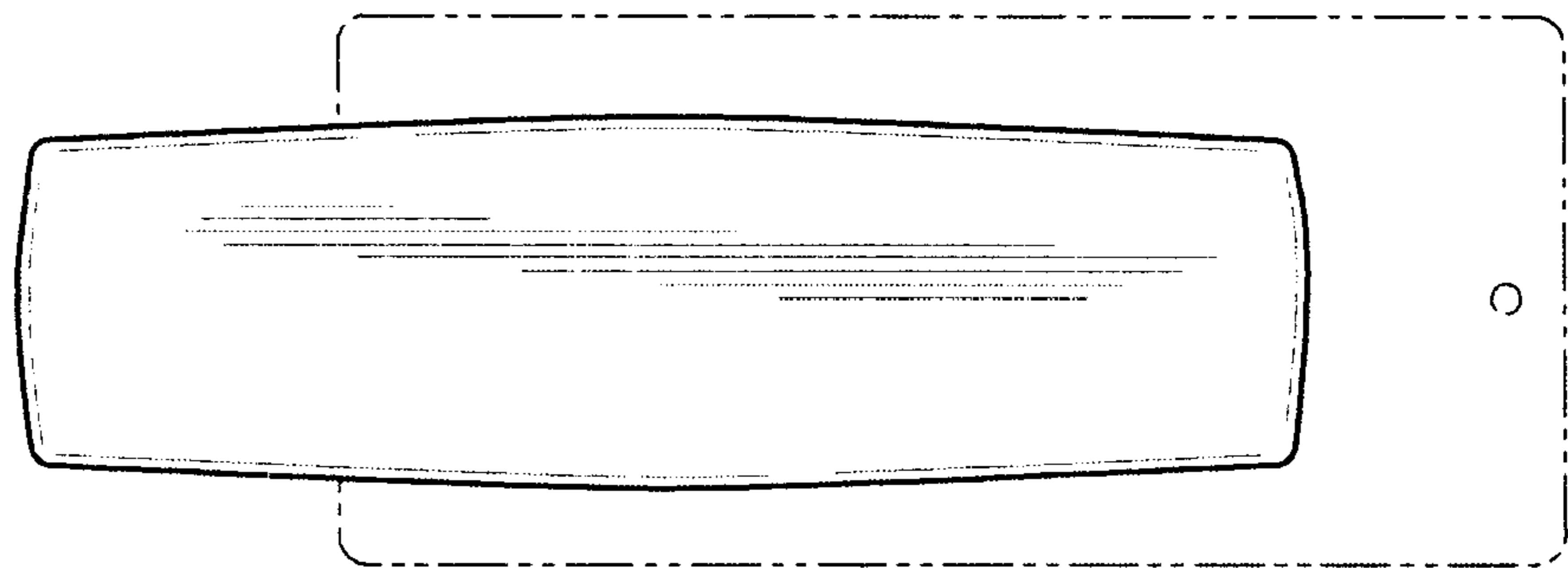


FIG. 5

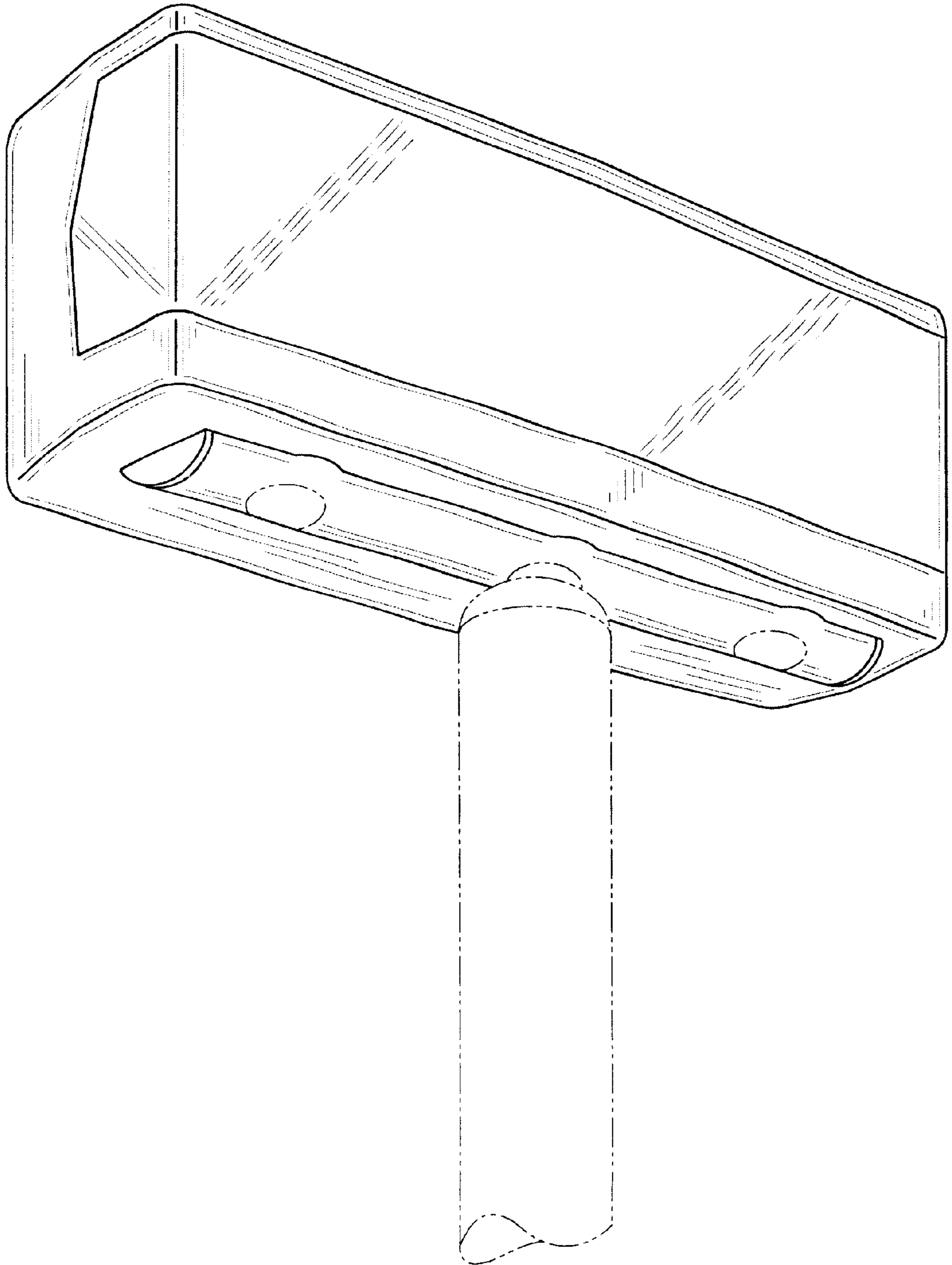


FIG. 6

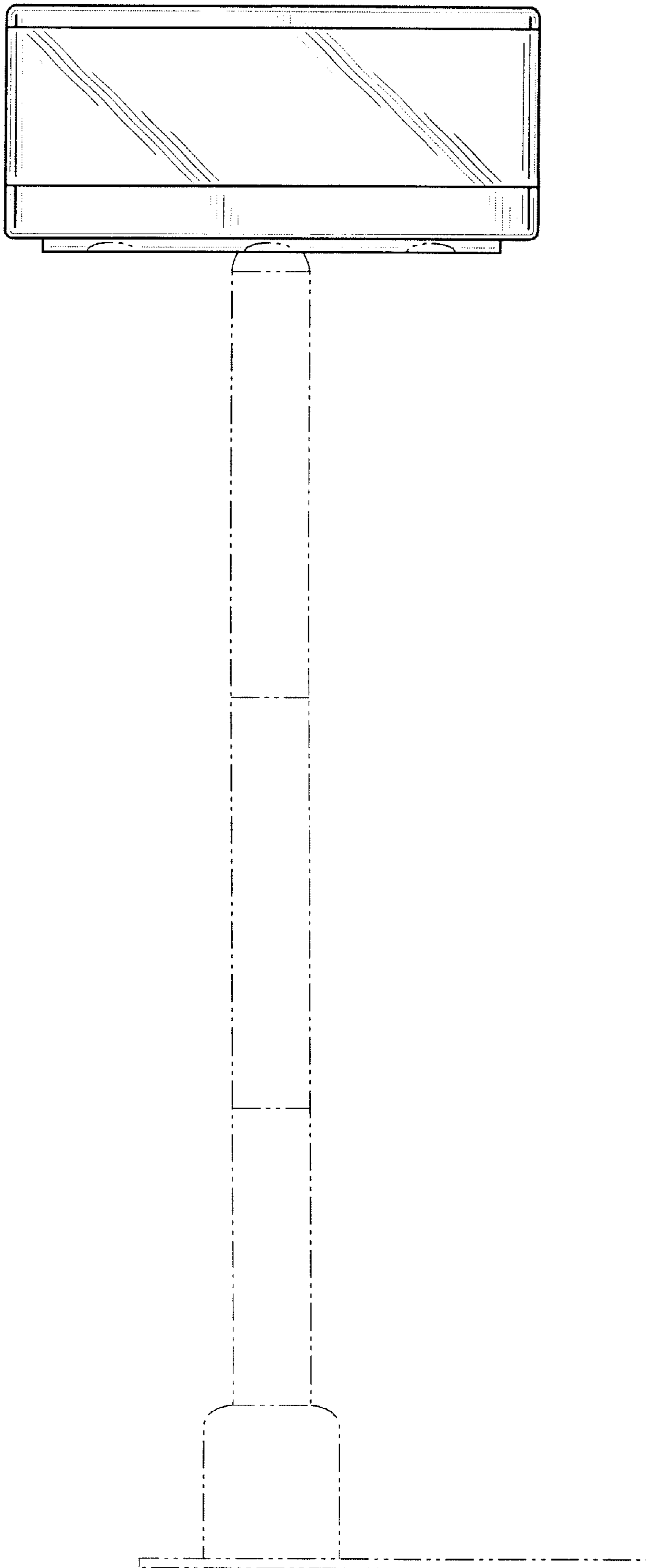


FIG. 7

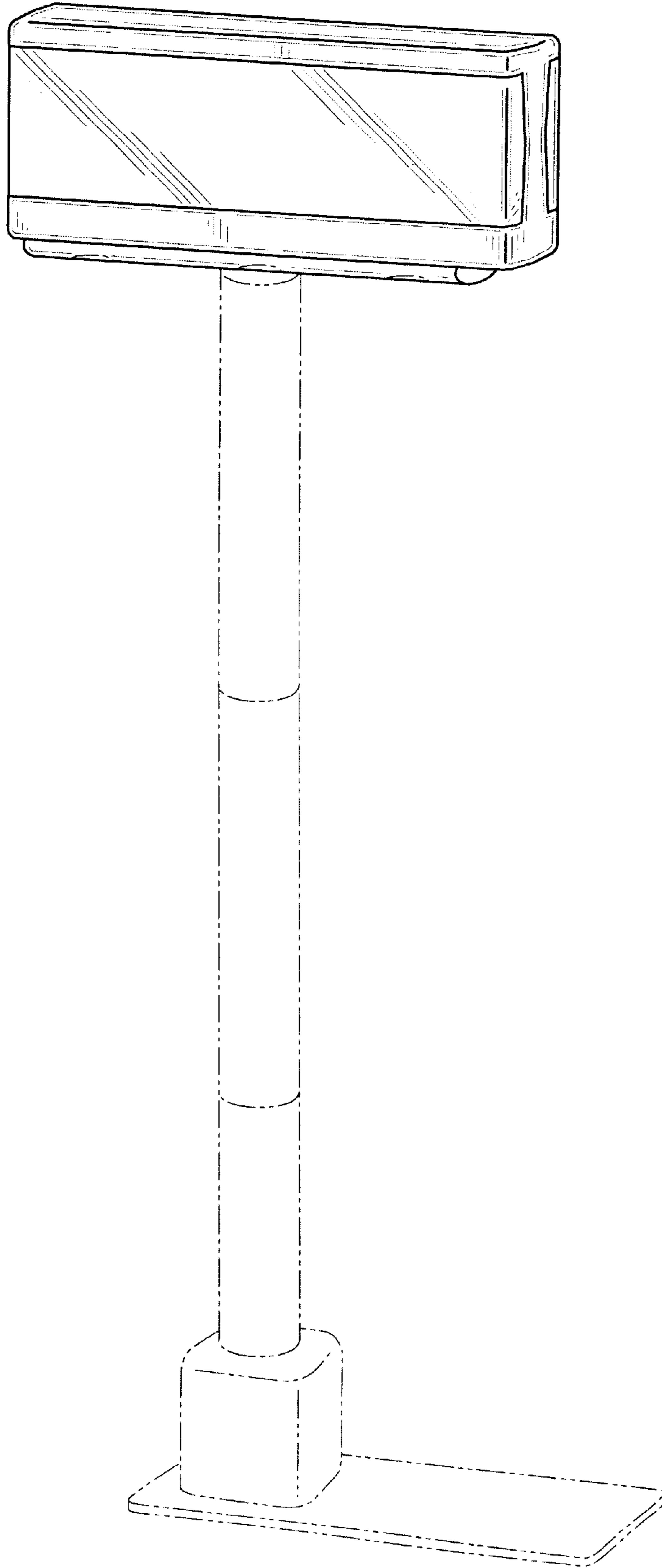


FIG. 8

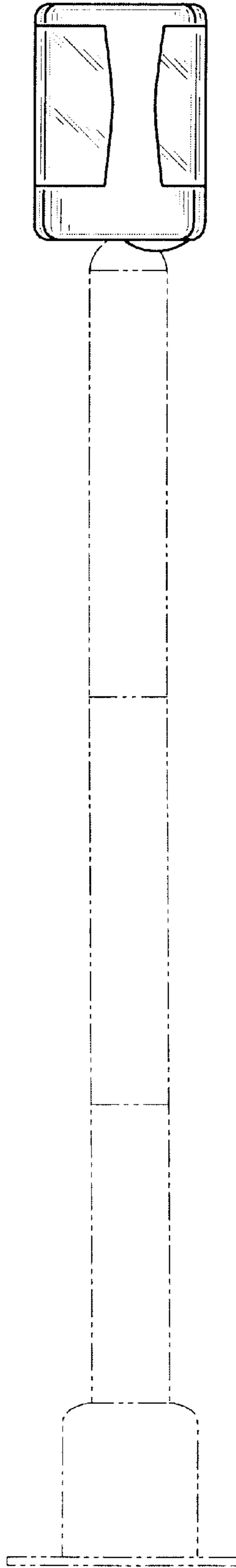


FIG. 9

