



US00D462978S

(12) **United States Design Patent**
Nicklos et al.

(10) **Patent No.:** **US D462,978 S**

(45) **Date of Patent:** **** Sep. 17, 2002**

(54) **CAMERA**

(75) Inventors: **Carl F. Nicklos**, Ogden, UT (US);
David E. Jones, Layton, UT (US); **Jay A. Muse**, Centerville, UT (US);
Stephanie Seaman, Ogden, UT (US);
G. Kenneth Smithborne, Trout Creek, MT (US)

(73) Assignee: **Iomega Corporation**, Roy, UT (US)

(**) Term: **14 Years**

(21) Appl. No.: **29/132,759**

(22) Filed: **Nov. 15, 2000**

(51) **LOC (7) Cl.** **16-01**

(52) **U.S. Cl.** **D16/218; D16/202; D16/206**

(58) **Field of Search** **D16/200-206,**
D16/208, 217, 218; 348/373-376; 358/906;
396/535-541

(56) **References Cited**

U.S. PATENT DOCUMENTS

D250,958 S * 1/1979 Hansen D16/209
4,945,372 A * 7/1990 Higuchi et al. 396/61

5,678,101 A * 10/1997 Mogamiya et al. 396/429
D408,040 S * 4/1999 Miyahara D16/202
D432,150 S * 10/2000 Senda D16/202
D433,693 S * 11/2000 Kobayashi D16/202

* cited by examiner

Primary Examiner—Adir Aronovich

(74) *Attorney, Agent, or Firm*—Woodcock Washburn Kurtz
Mackiewicz & Norris LLP

(57) **CLAIM**

The ornamental design for a camera, as shown and described.

DESCRIPTION

FIG. 1 is a left side, front perspective view of a camera showing our new design;

FIG. 2 is a right side, rear perspective view of FIG. 1;

FIG. 3 is a front elevation view of FIG. 1;

FIG. 4 is a rear elevation view of FIG. 1;

FIG. 5 is a top plan view of FIG. 1;

FIG. 6 is a bottom plan view of FIG. 1;

FIG. 7 is a right side view of FIG. 1; and,

FIG. 8 is a left side view of FIG. 1.

1 Claim, 8 Drawing Sheets

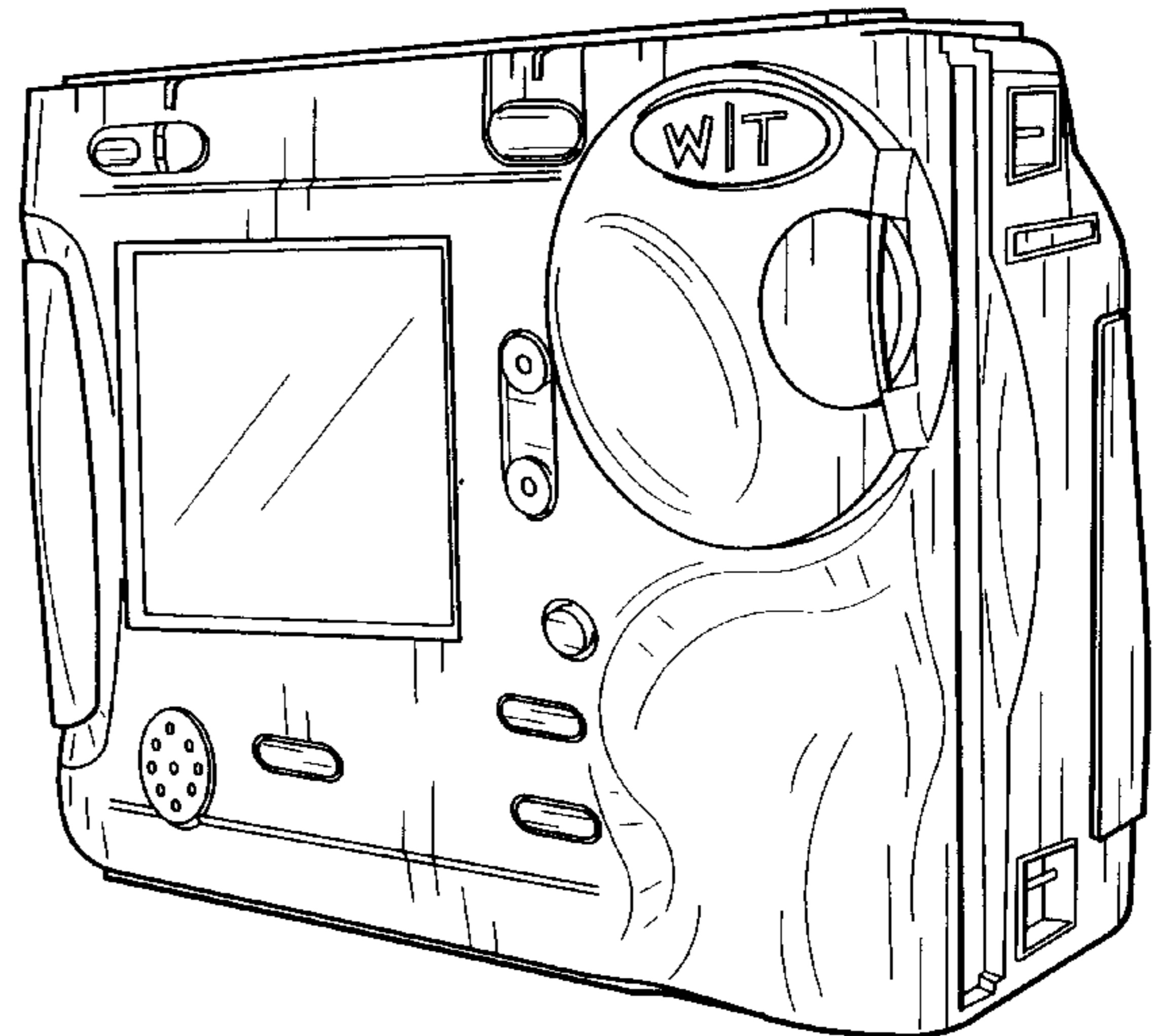
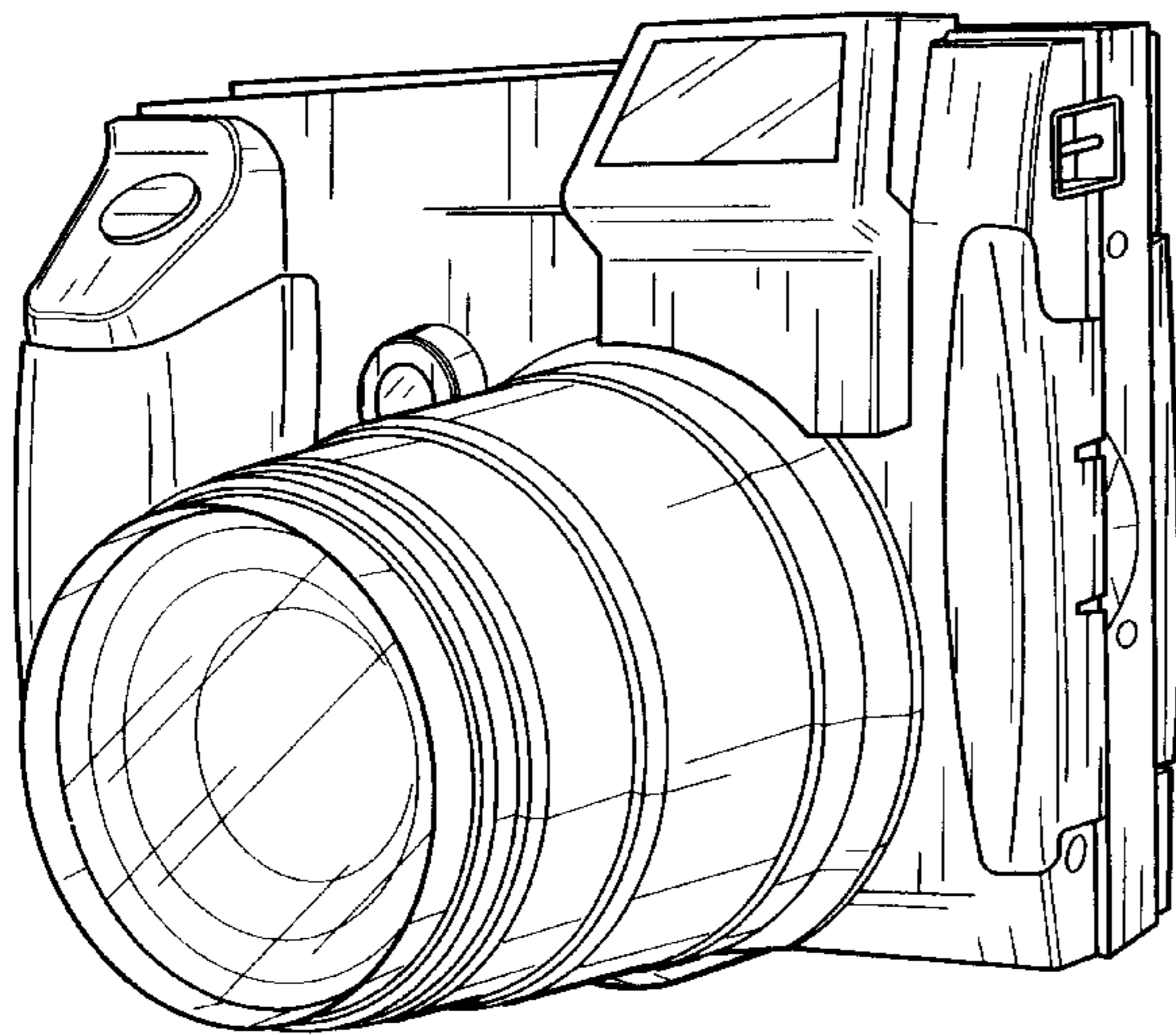


FIG. 1

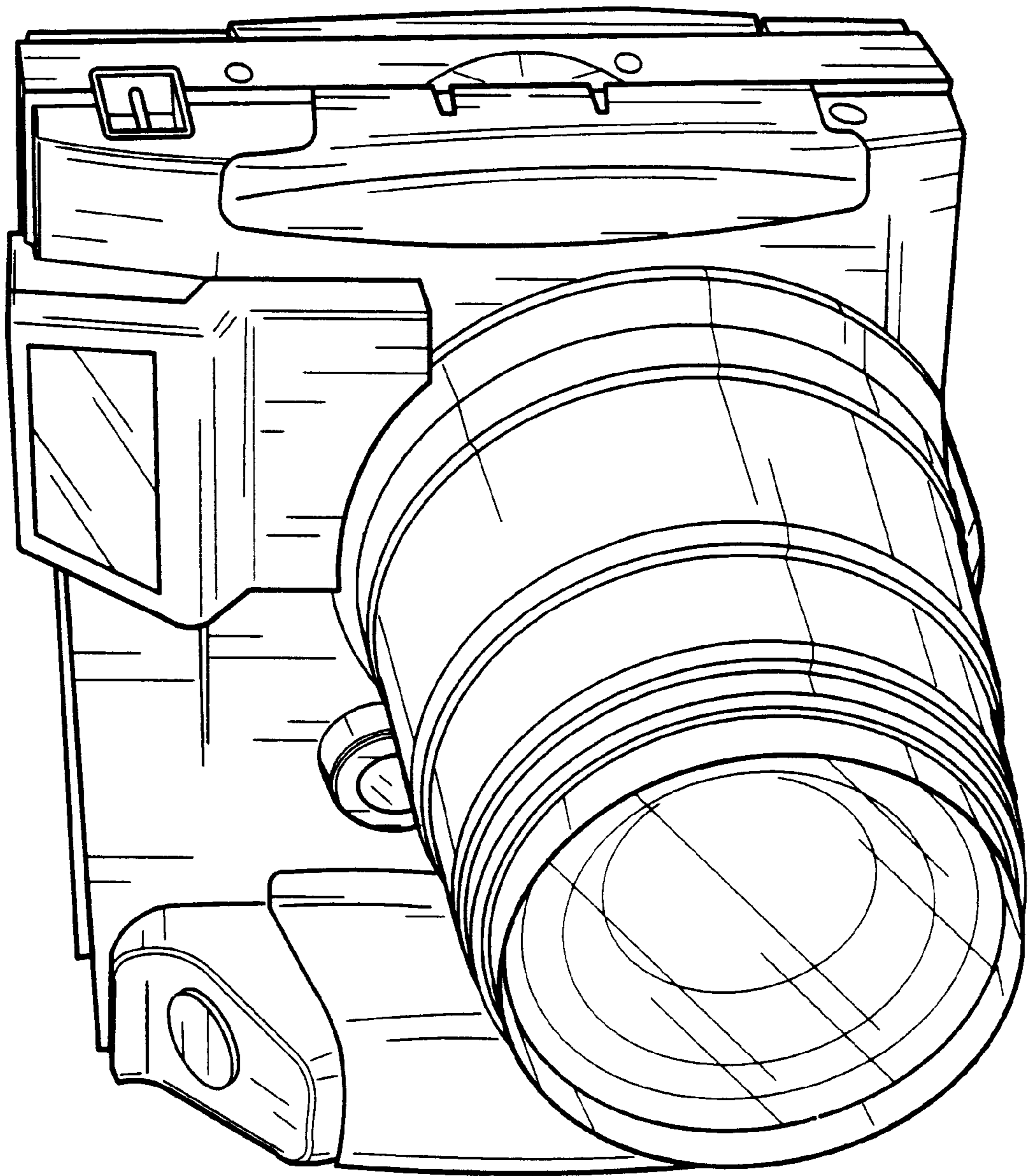


FIG. 2

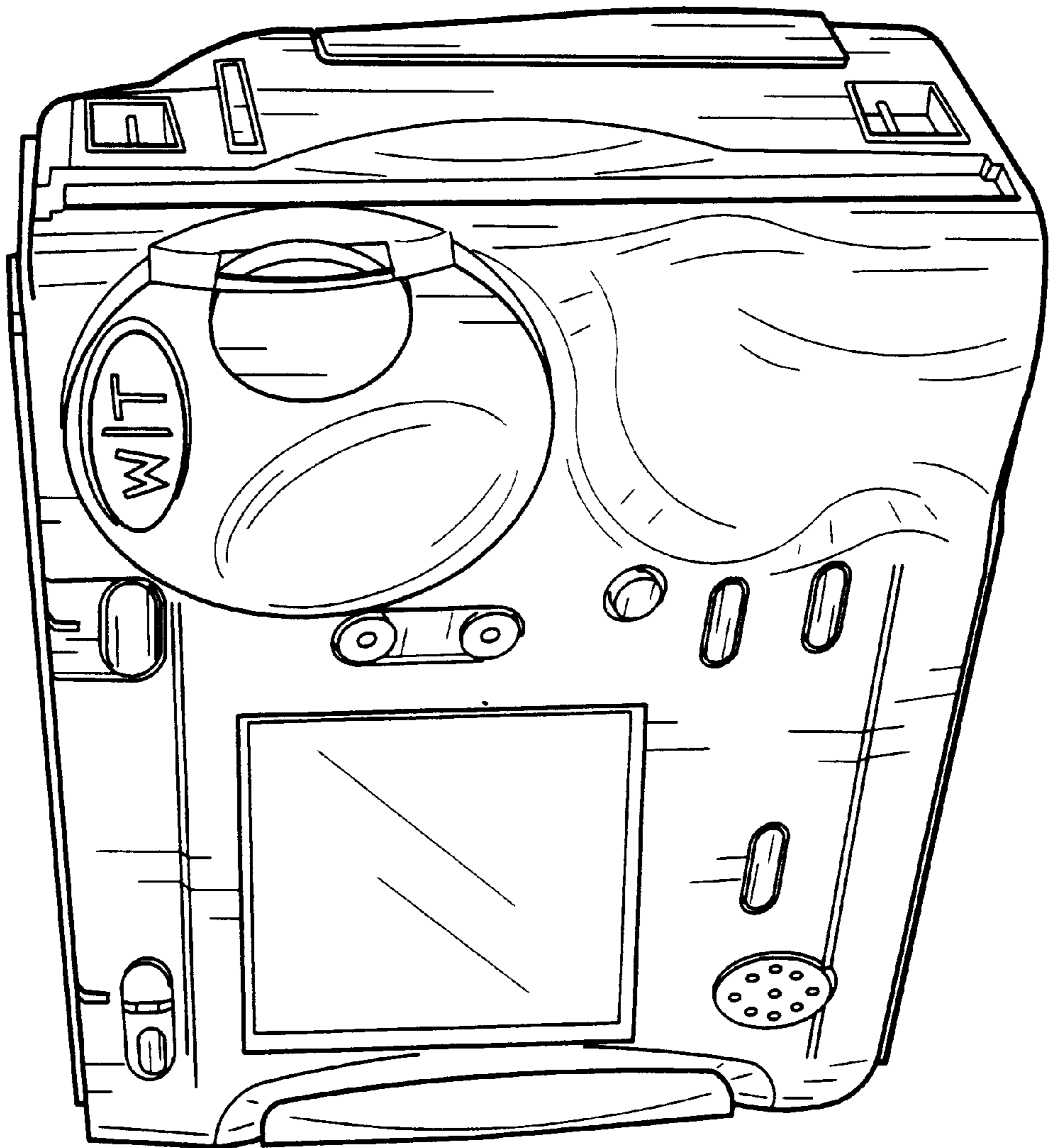


FIG. 3

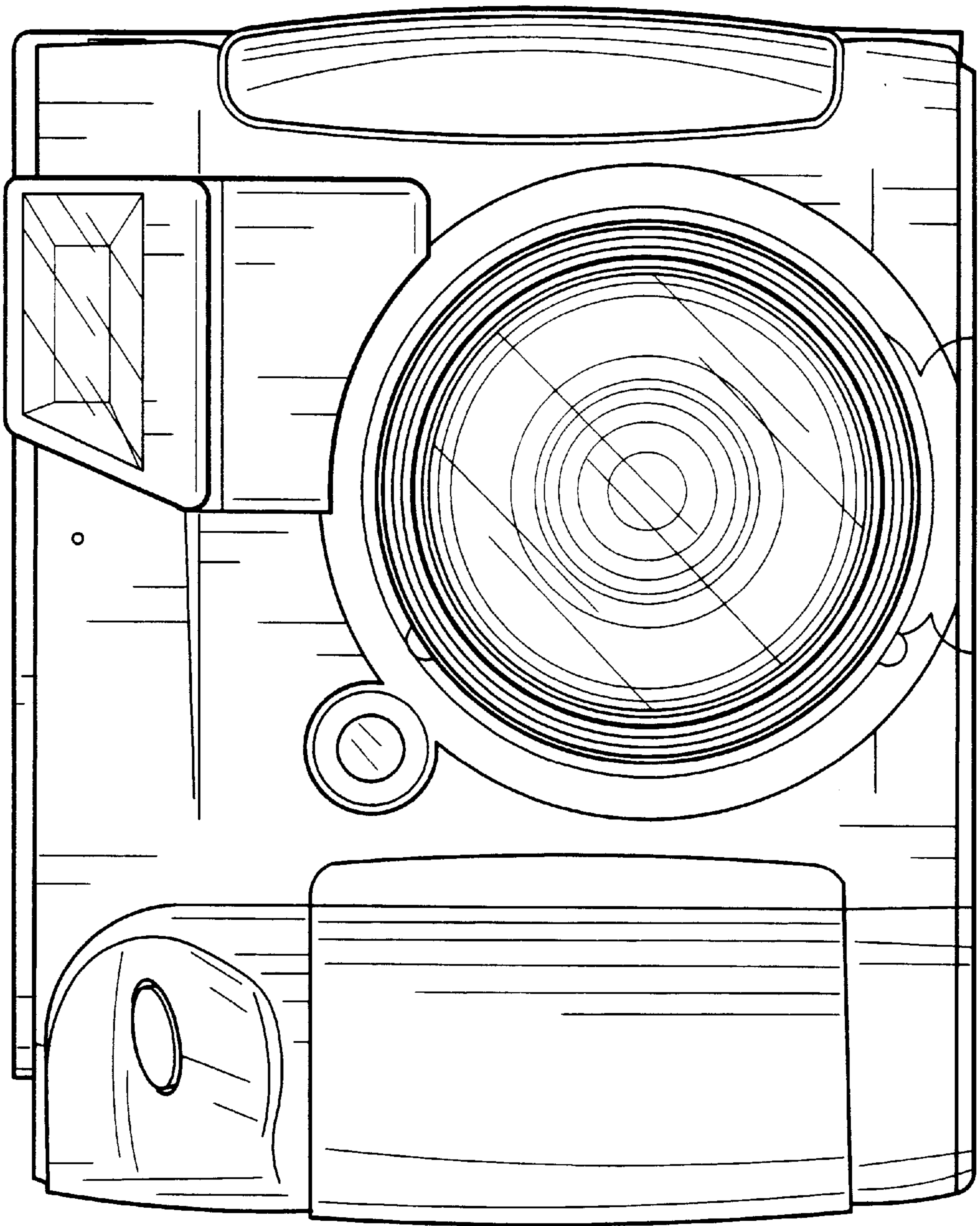
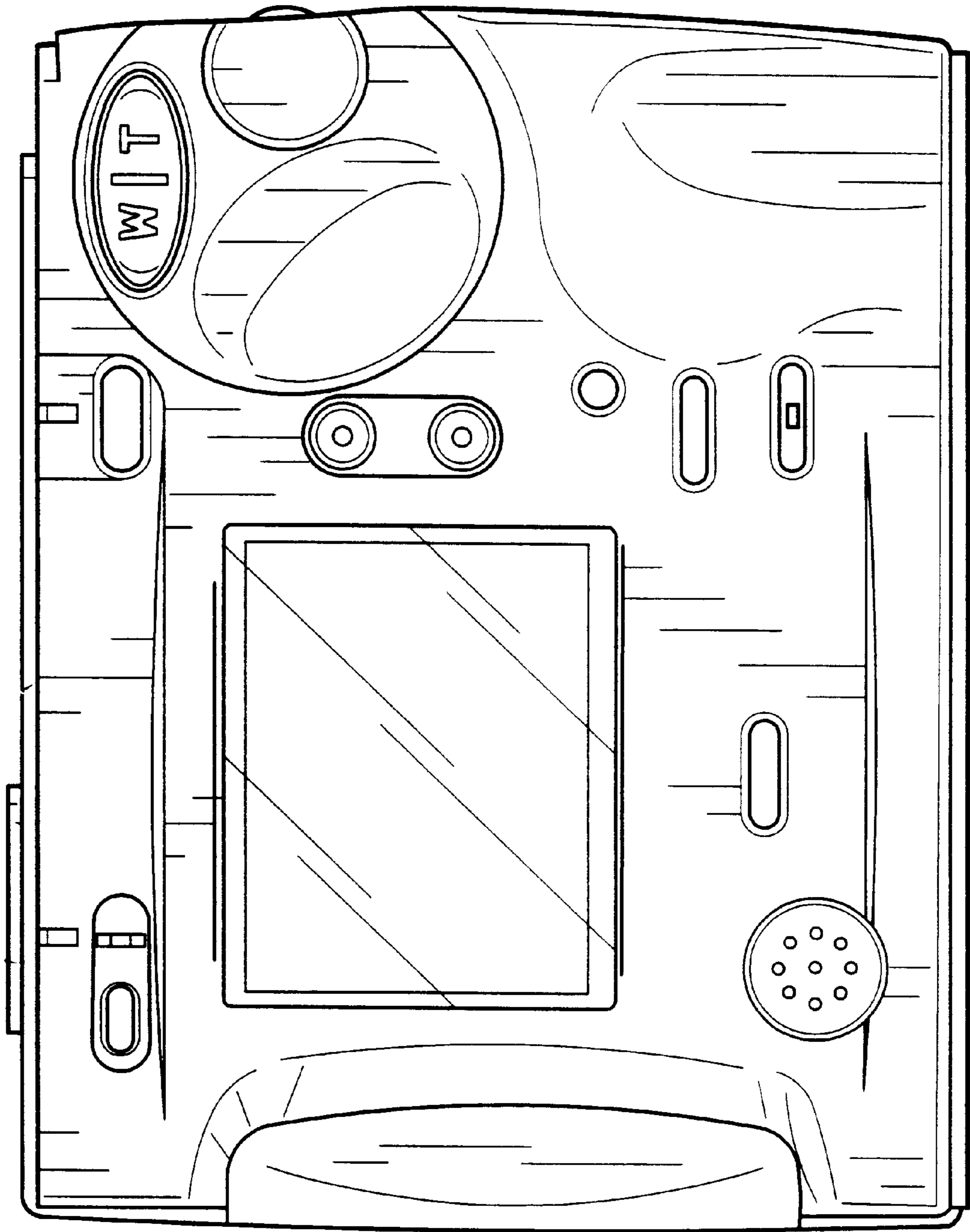


FIG. 4



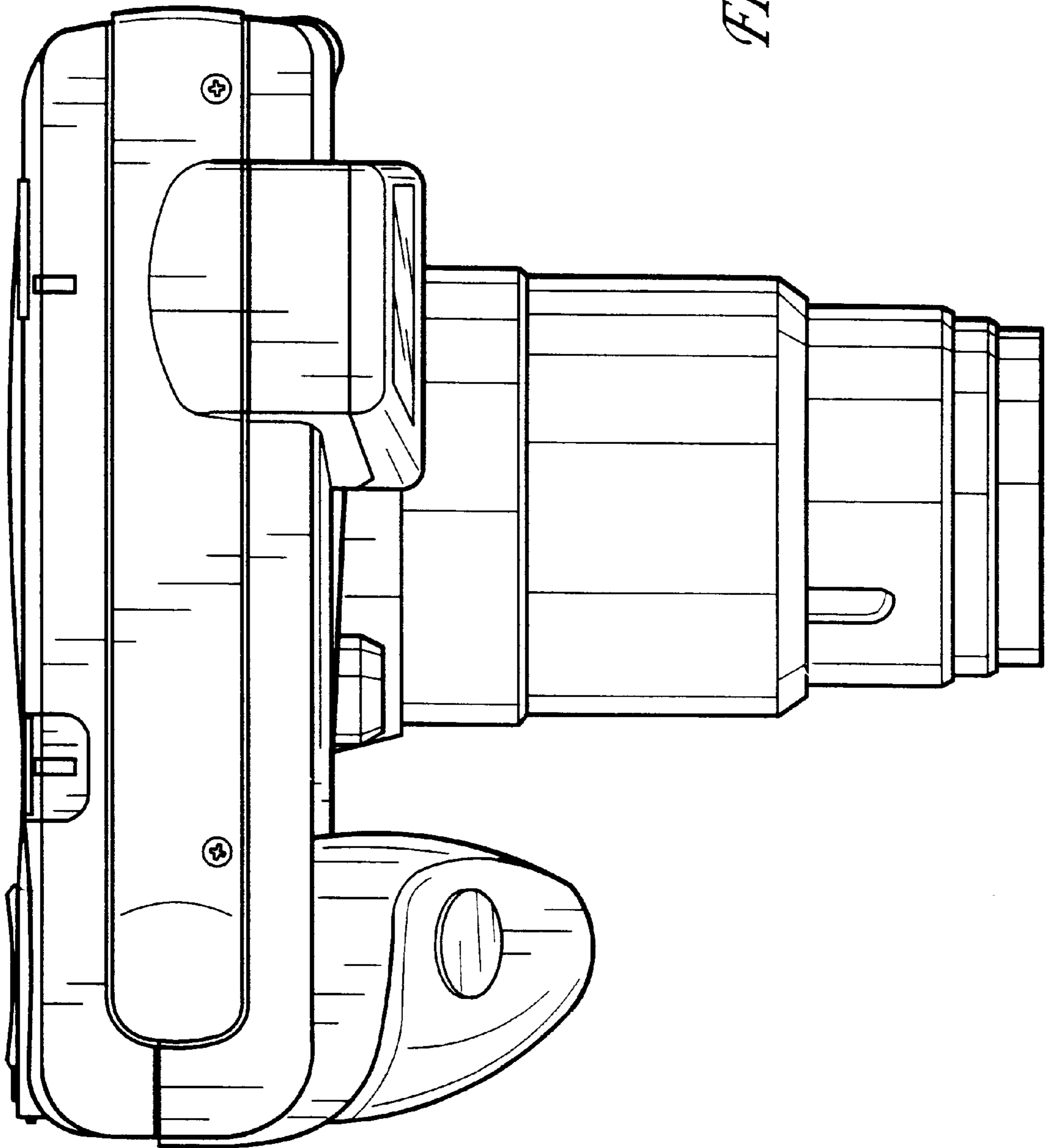


FIG. 5

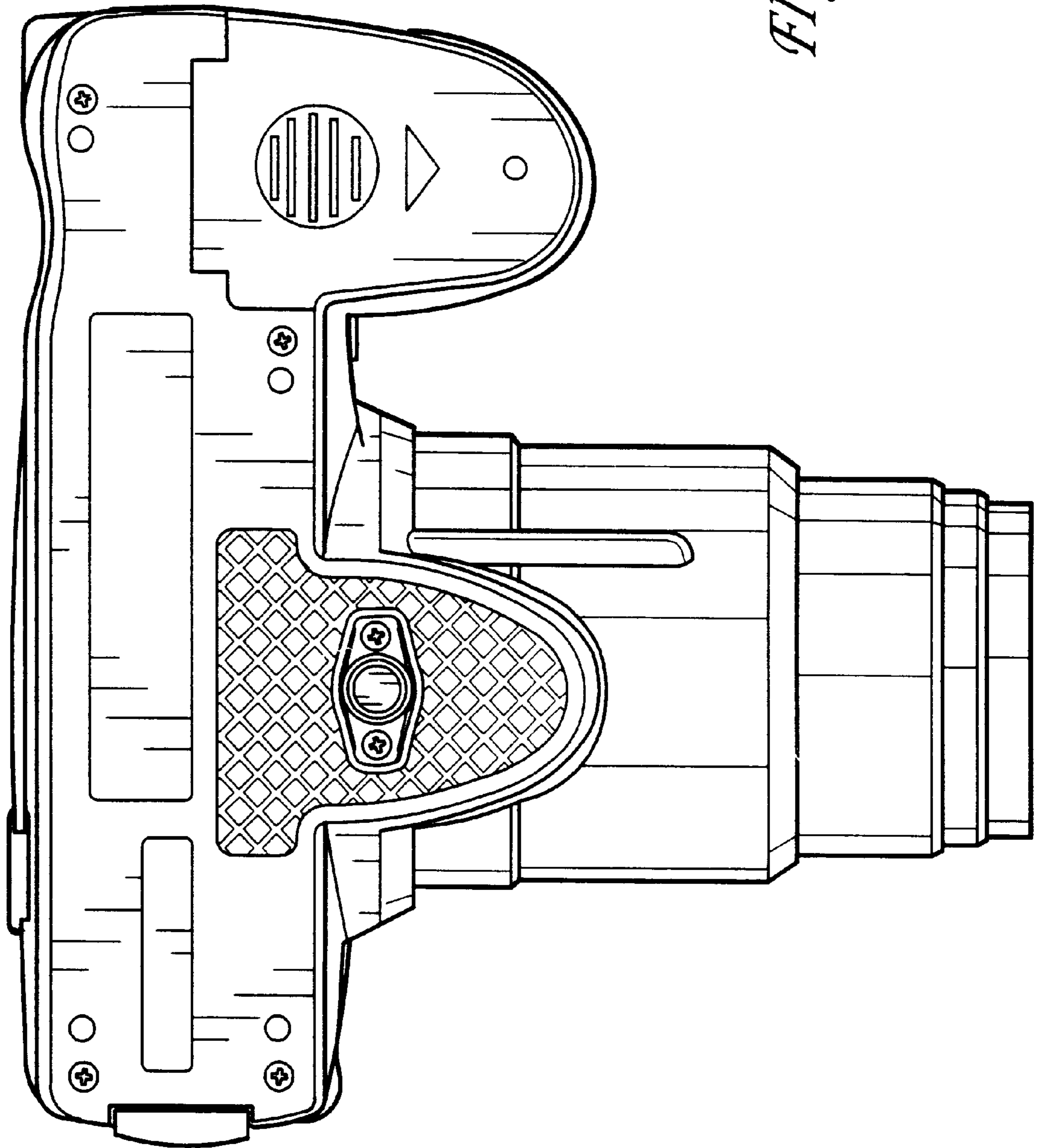
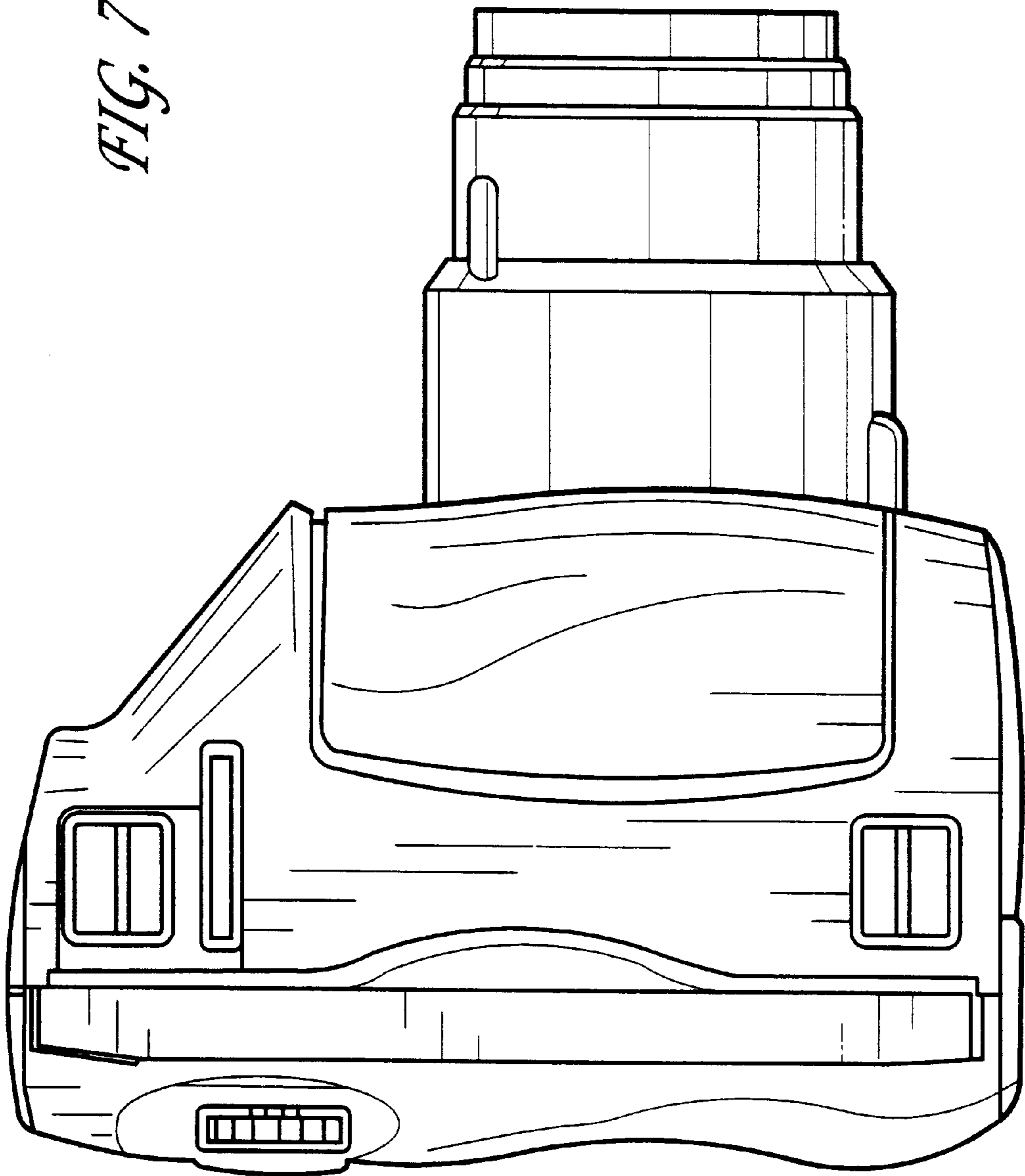


FIG. 6

FIG. 7



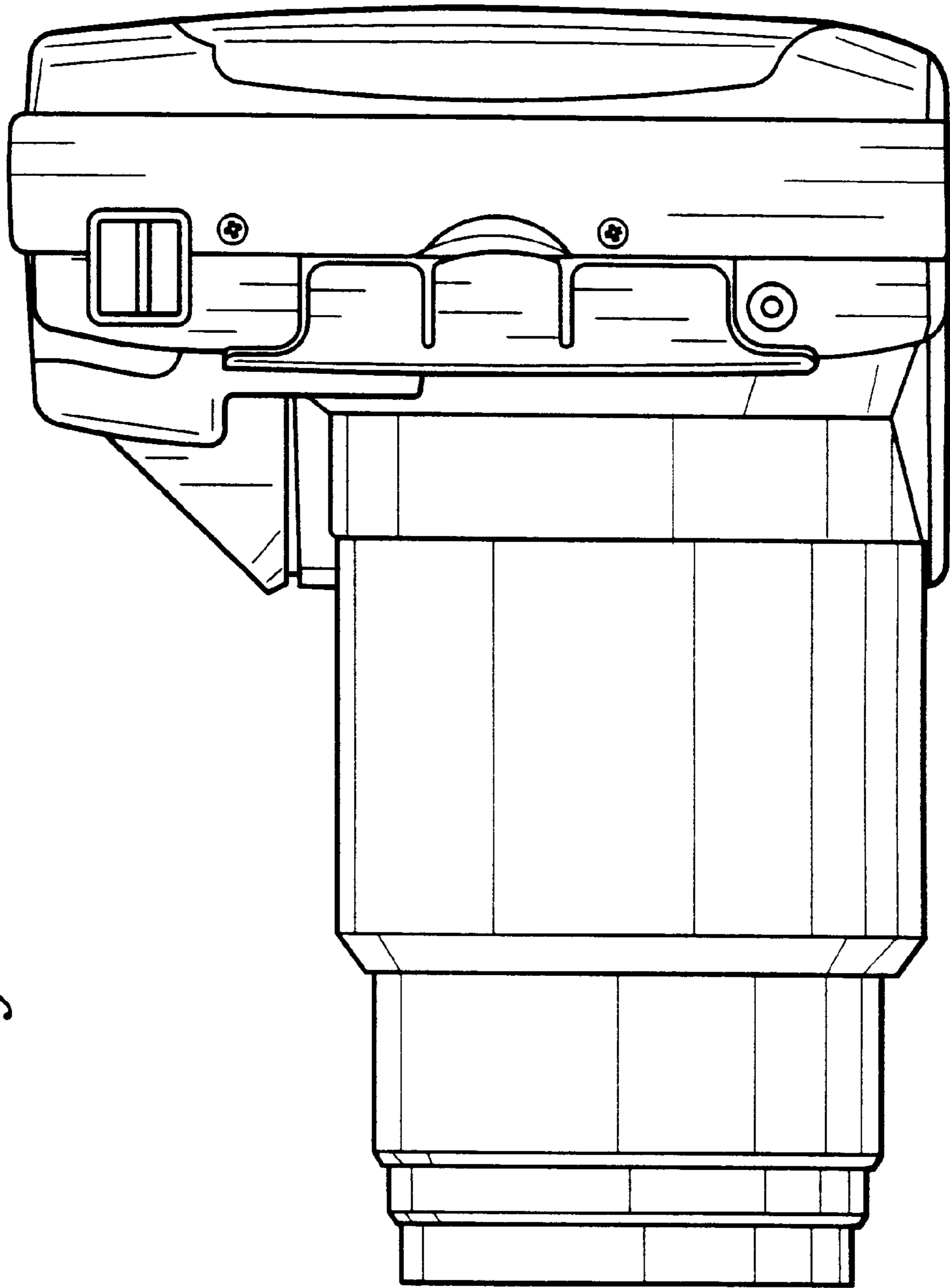


FIG. 8