



US00D462969S

(12) **United States Design Patent**
Schärer et al.

(10) **Patent No.: US D462,969 S**
(45) **Date of Patent: ** Sep. 17, 2002**

(54) **SCREEN HOLDING DEVICE**

(75) Inventors: **Alexander Schärer**, Bern; **Antonio Cassani**, Münsingen; **Kaspar Stöckli**, Kiesen; **Stephan Künzi**, Bern, all of (CH)

(73) Assignee: **USM Holding AG**, Gumligen (CH)

(**) Term: **14 Years**

(21) Appl. No.: **29/133,054**

(22) Filed: **Nov. 22, 2000**

(30) **Foreign Application Priority Data**

May 23, 2000 (CH) 127068

(51) **LOC (7) Cl.** **14-02**

(52) **U.S. Cl.** **D14/447**

(58) **Field of Search** 248/917-24, 281.11, 248/278.1, 280.11, 284.1, 285.1, 286.1; 361/680-86; 348/827; D14/342, 447, 451-2; D19/91; D8/349, 354, 363, 373

(56) **References Cited**

U.S. PATENT DOCUMENTS

- 3,951,557 A 4/1976 Herbenar
- 4,447,139 A 5/1984 Biber
- D275,431 S * 9/1984 Usab
- 4,523,732 A 6/1985 Biber et al.
- 4,568,216 A 2/1986 Mizusawa et al.
- 4,765,580 A 8/1988 Wright
- D323,323 S * 1/1992 Klaebel
- D331,921 S * 12/1992 Gutke et al.
- 5,505,424 A 4/1996 Niemann
- D391,946 S * 3/1998 Rosen

- 5,743,503 A 4/1998 Voeller et al.
- 5,842,672 A 12/1998 Sweere et al.
- D430,166 S * 8/2000 Takagi
- D430,570 S * 9/2000 Lee

FOREIGN PATENT DOCUMENTS

- CH 336567 2/1959
- CH 519117 2/1972
- DE 9011338 10/1990
- EP 0312355 4/1989
- EP 508178 10/1992

* cited by examiner

Primary Examiner—M. H. Tung

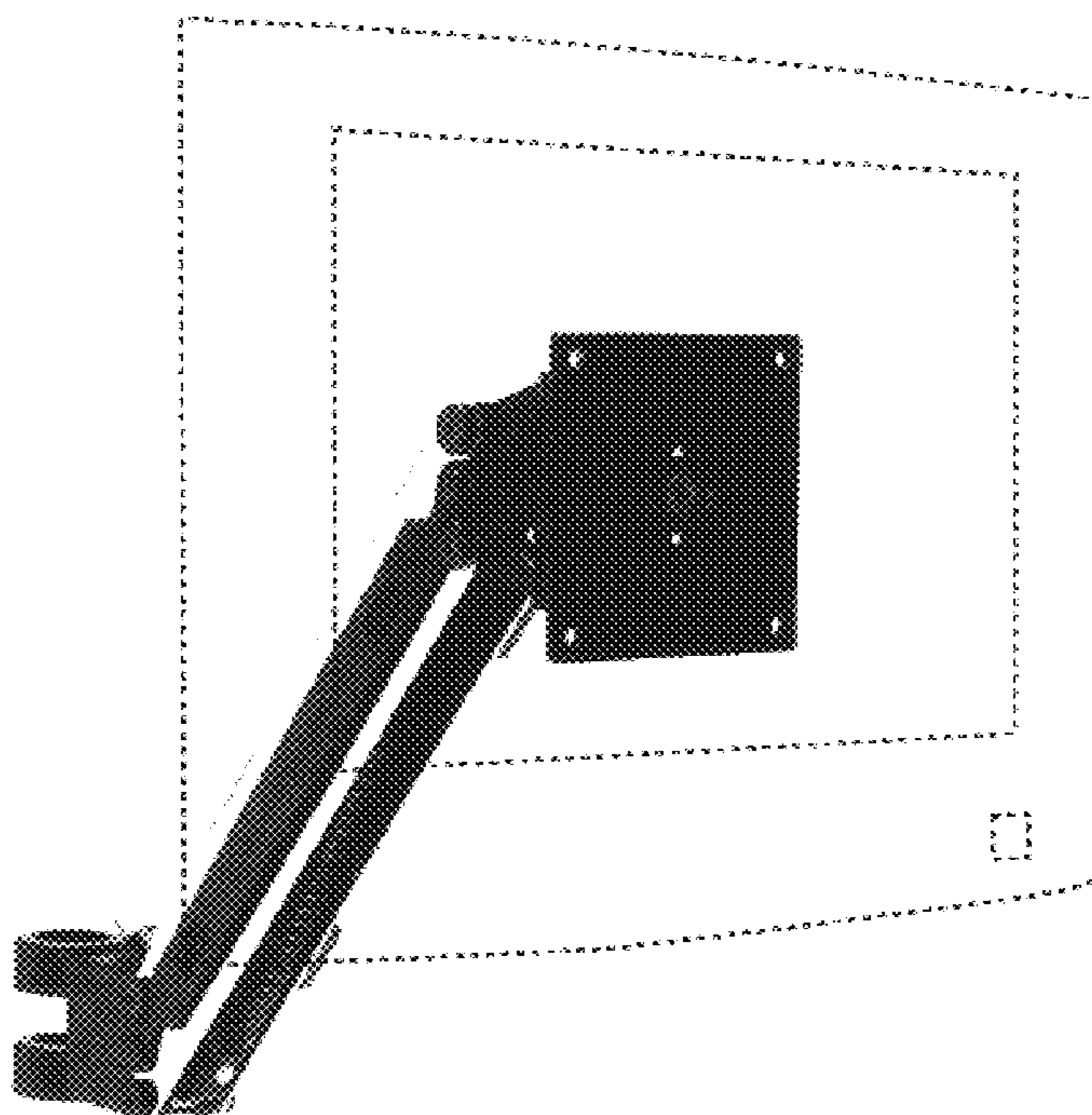
(57) **CLAIM**

The ornamental design for a screen holding device, as shown and described.

DESCRIPTION

FIG. 1 is a front perspective view of a screen holding device showing our new design;
 FIG. 2 is a front view thereof;
 FIG. 3 is a rear view thereof;
 FIG. 4 is a right side view thereof;
 FIG. 5 is a left side view thereof;
 FIG. 6 is a front, lower perspective view thereof;
 FIG. 7 is a rear perspective view thereof;
 FIG. 8 is a front perspective view thereof, the broken line drawing of a screen is for illustrative purposes only and forms no part of the claimed design; and,
 FIG. 9 is a right side view thereof, the broken line drawing of a screen is for illustrative purposes only and forms no part of the claimed design.

1 Claim, 9 Drawing Sheets



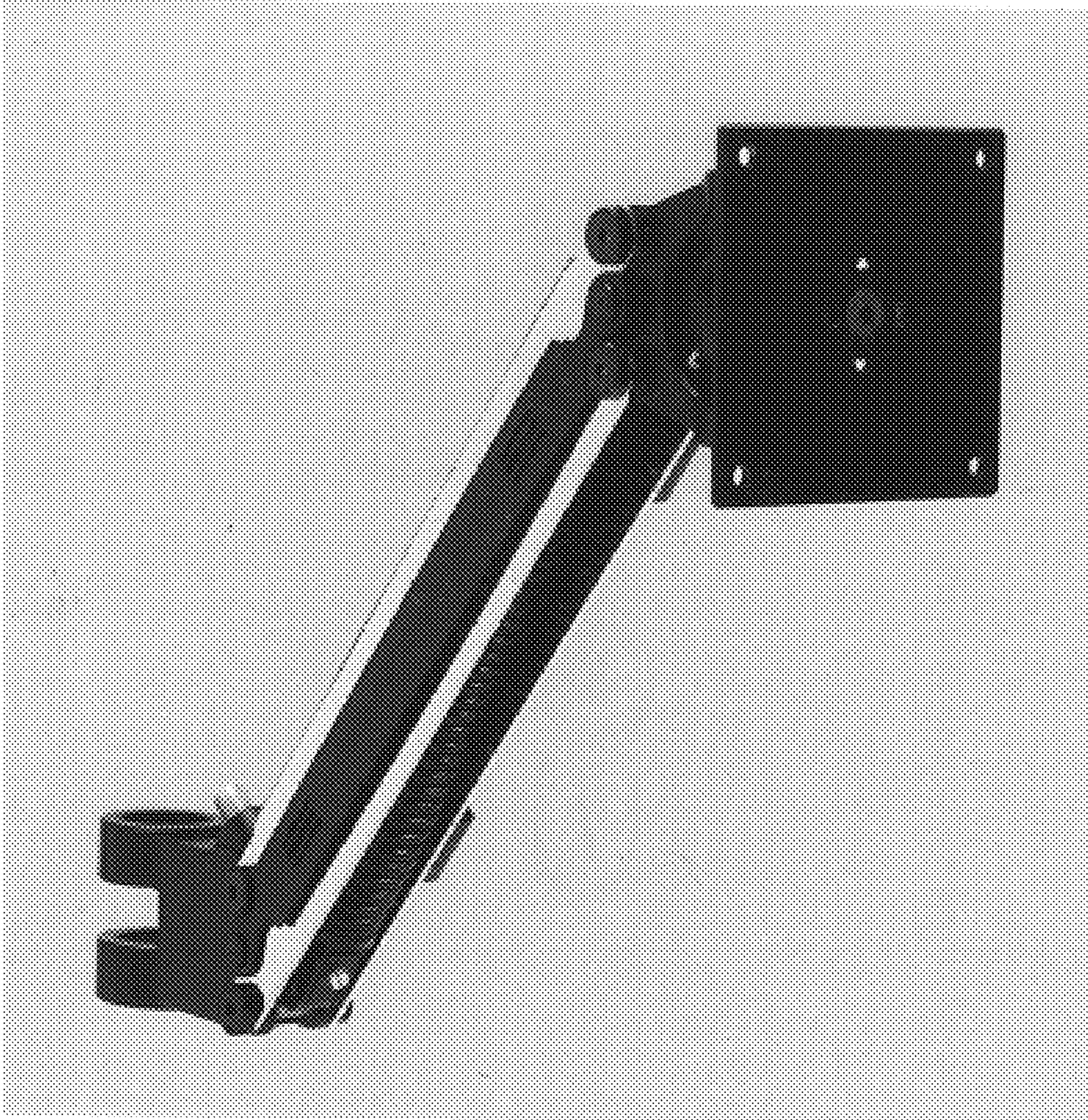


FIG. 1

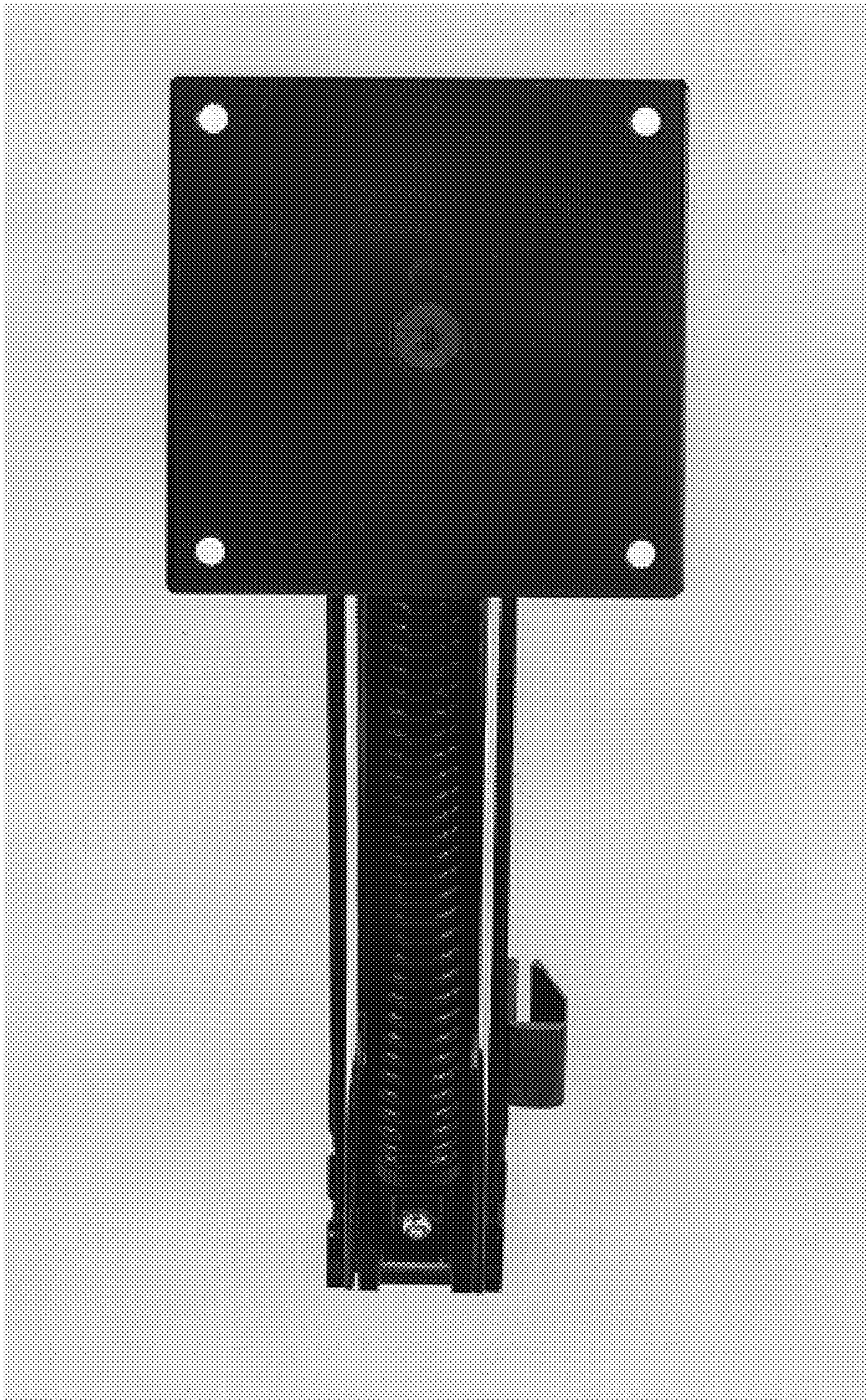


FIG. 2

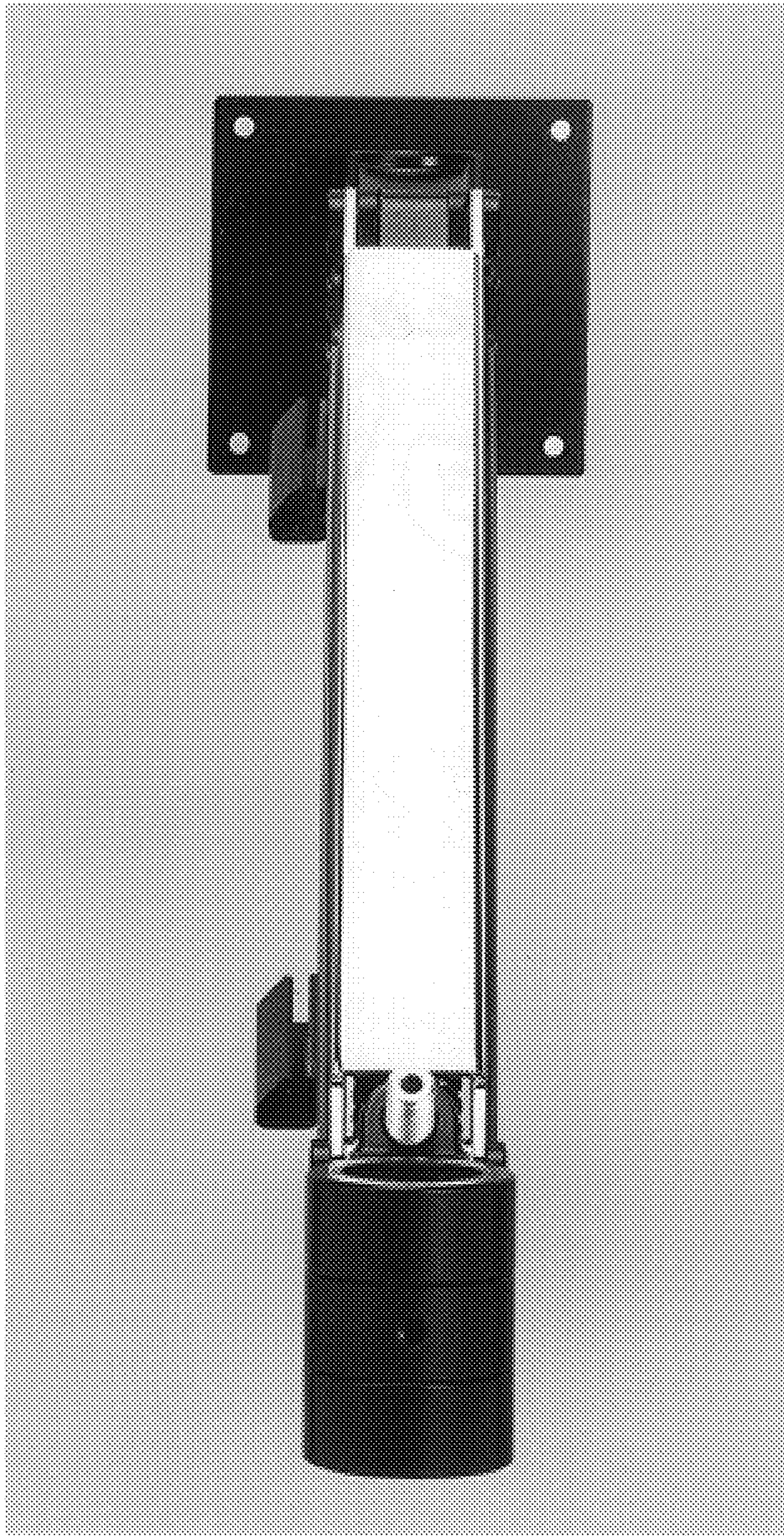


FIG. 3

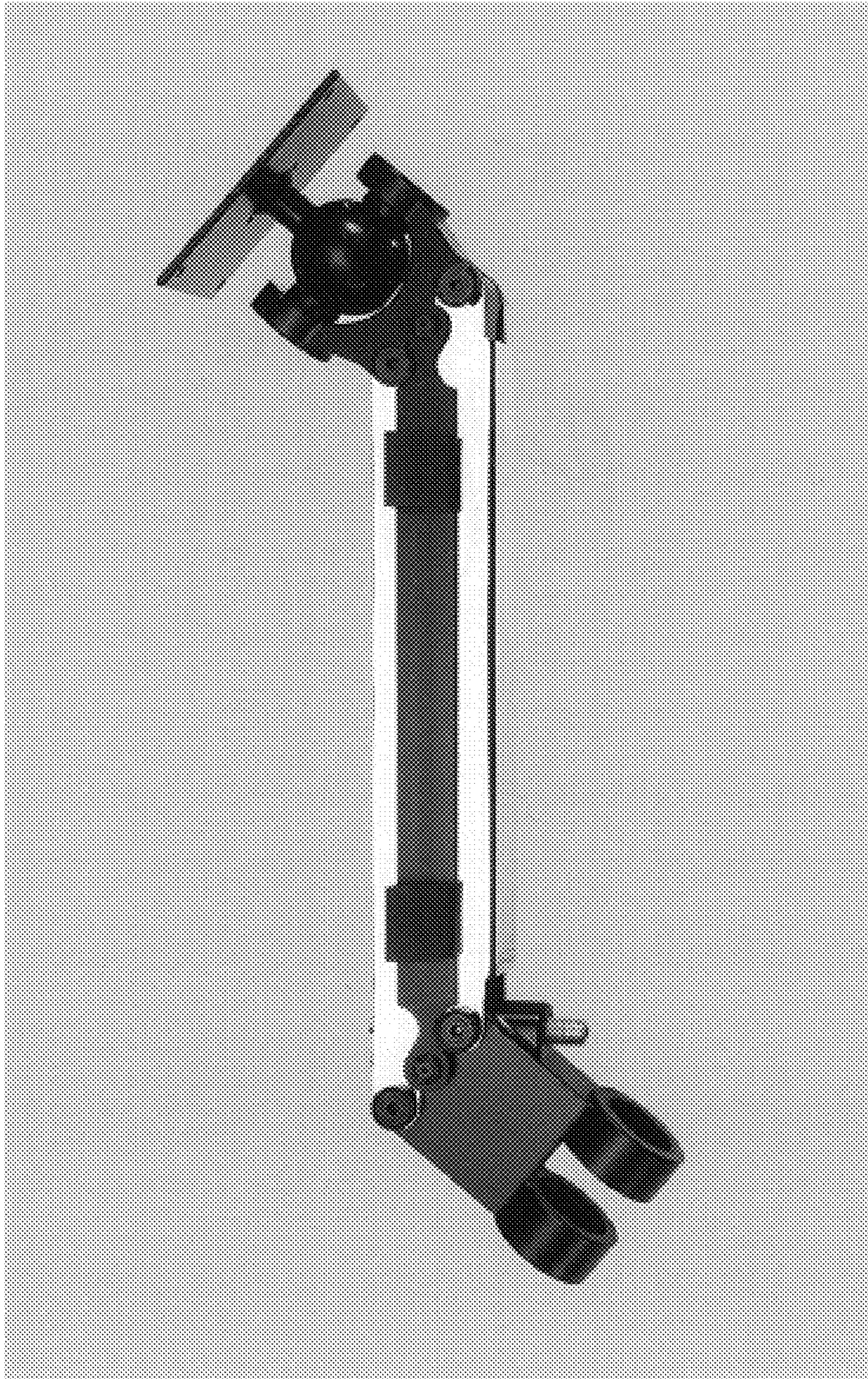


FIG. 4

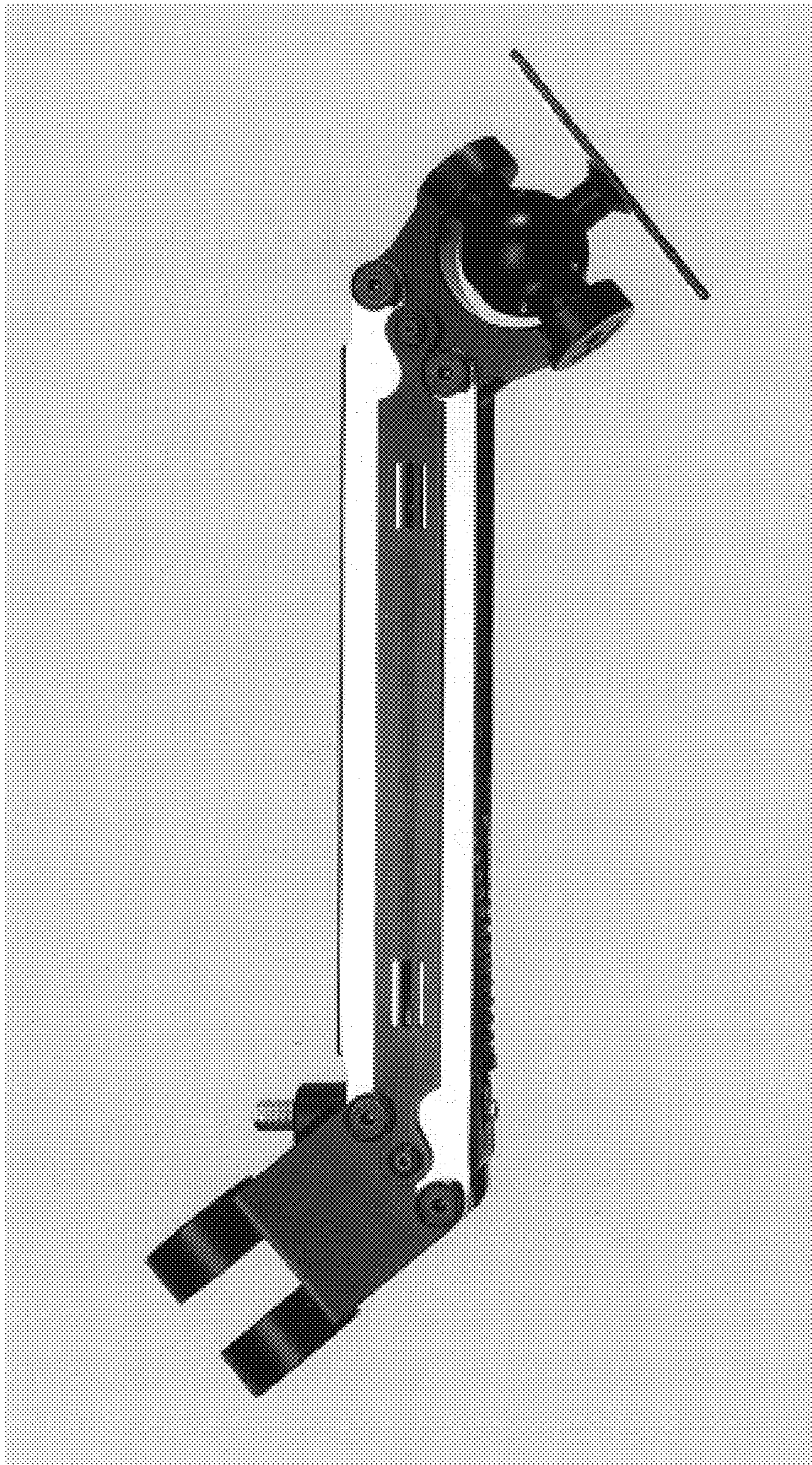


FIG. 5

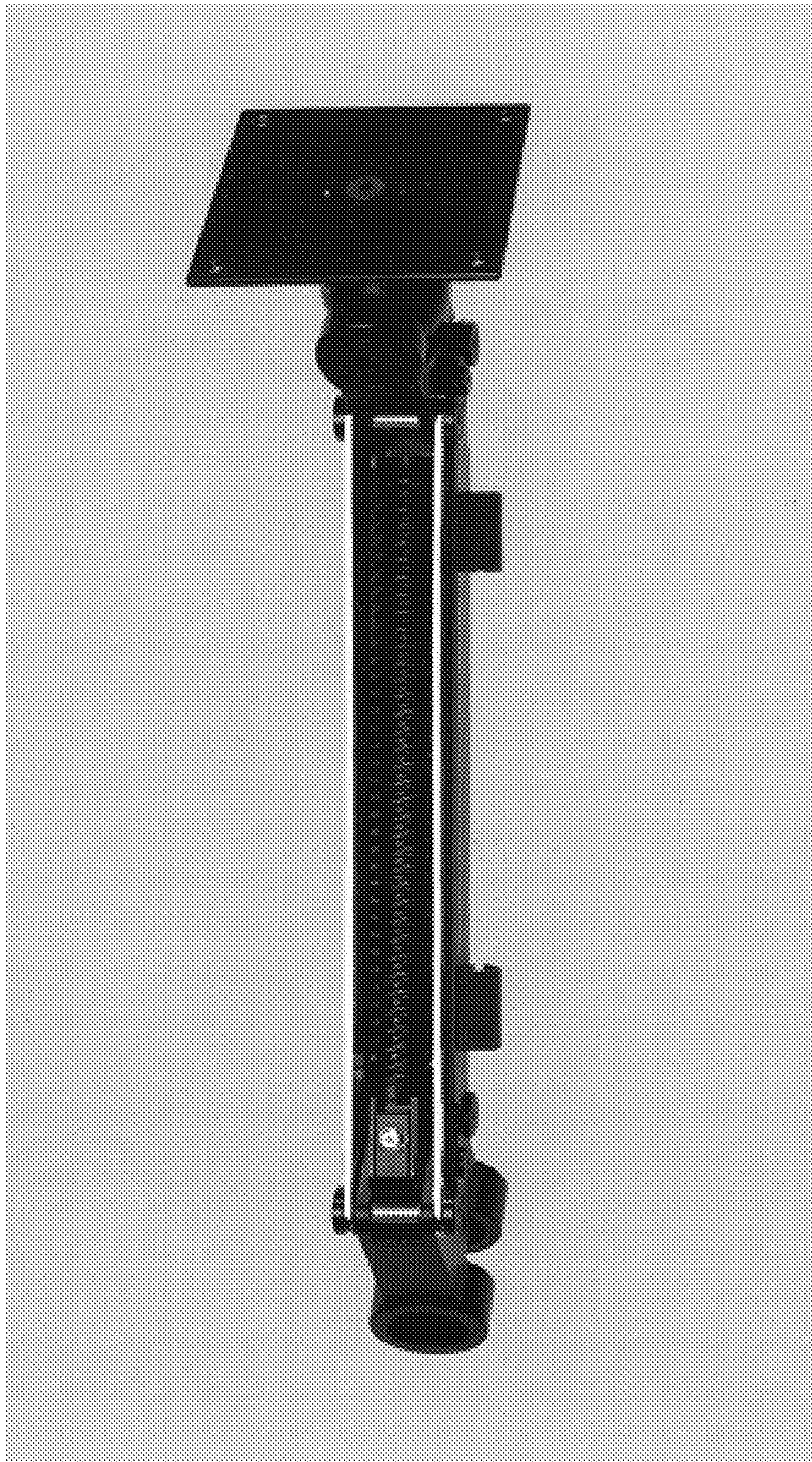


FIG. 6

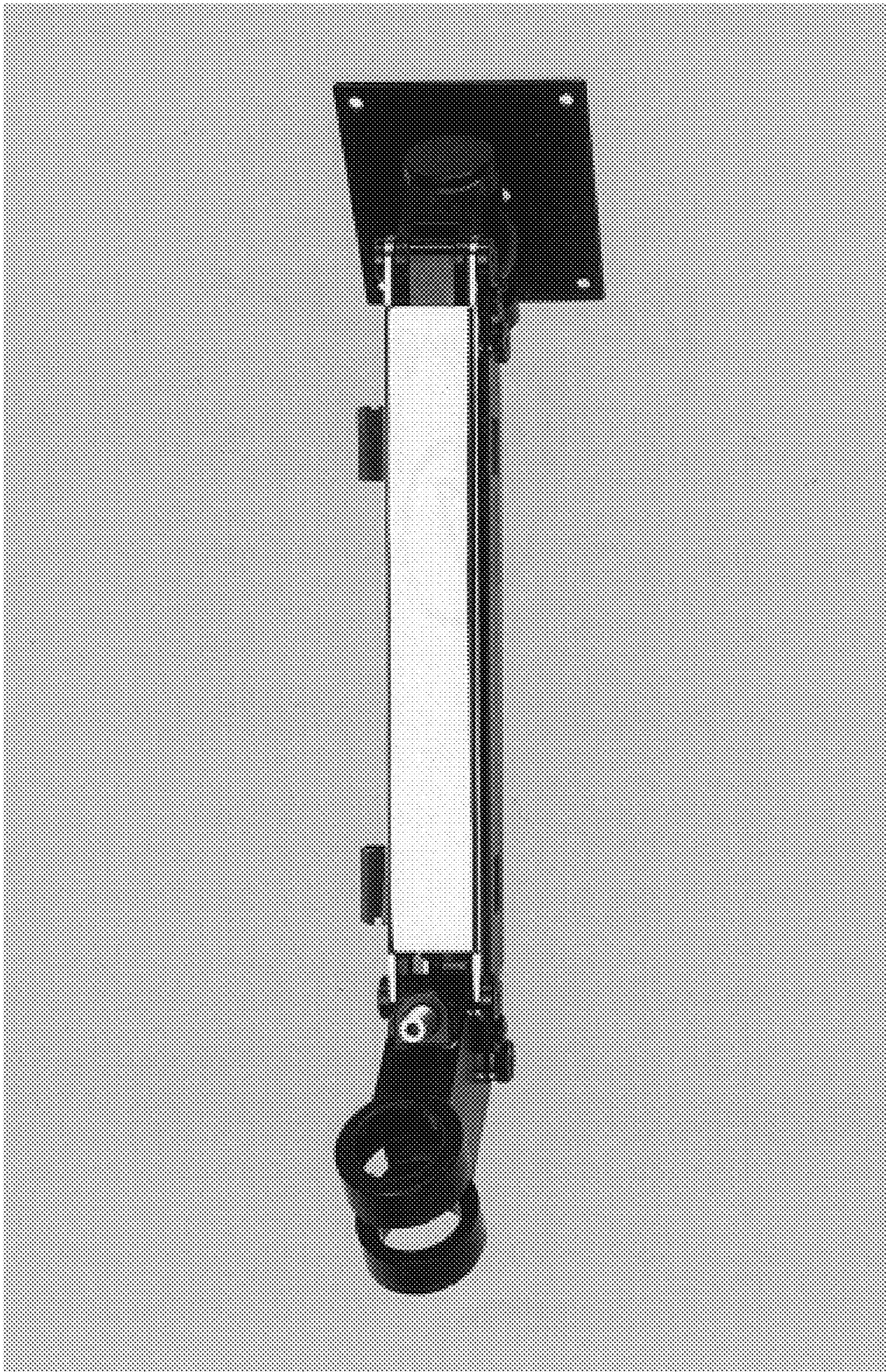


FIG. 7

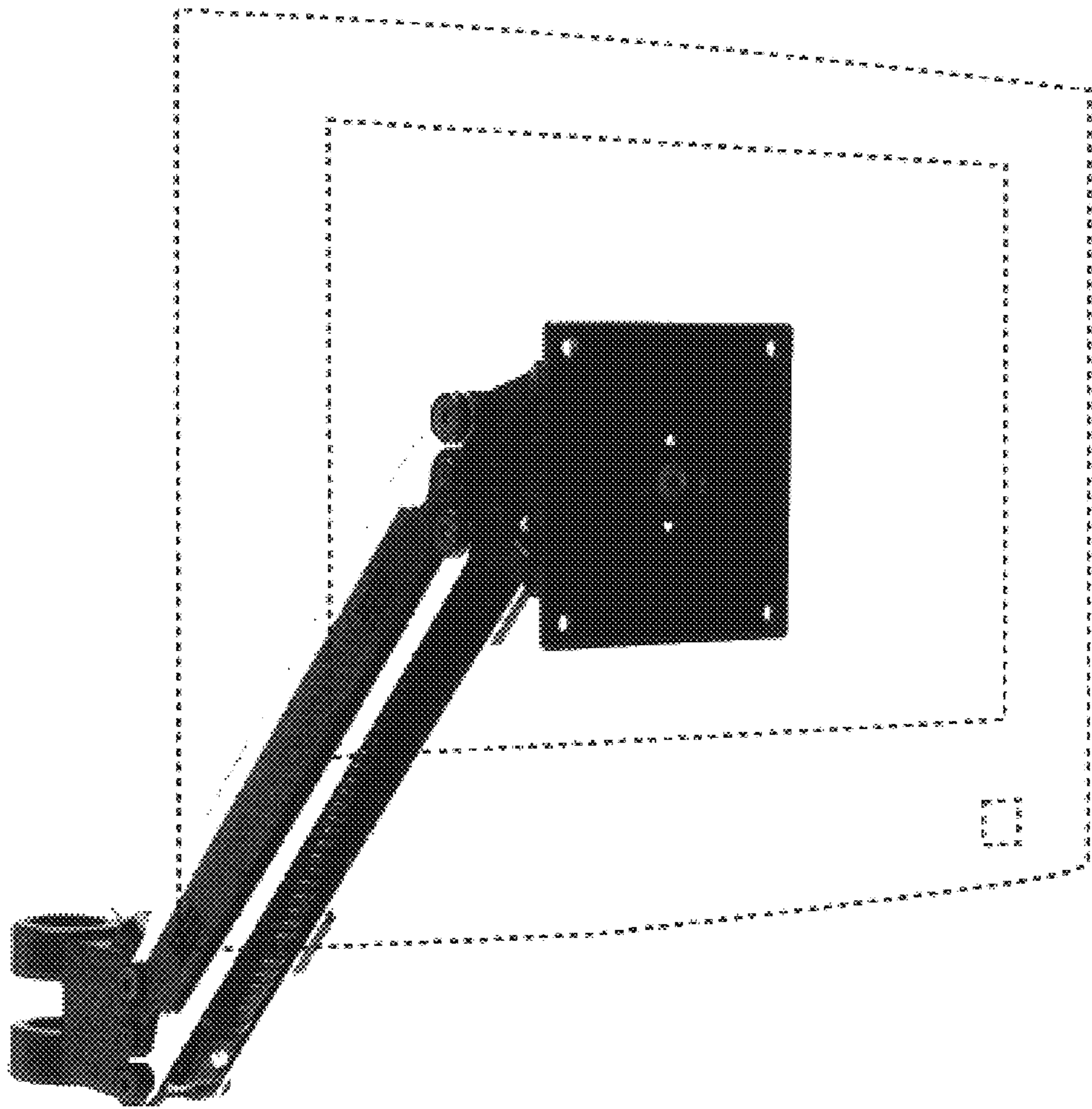


FIG. 8

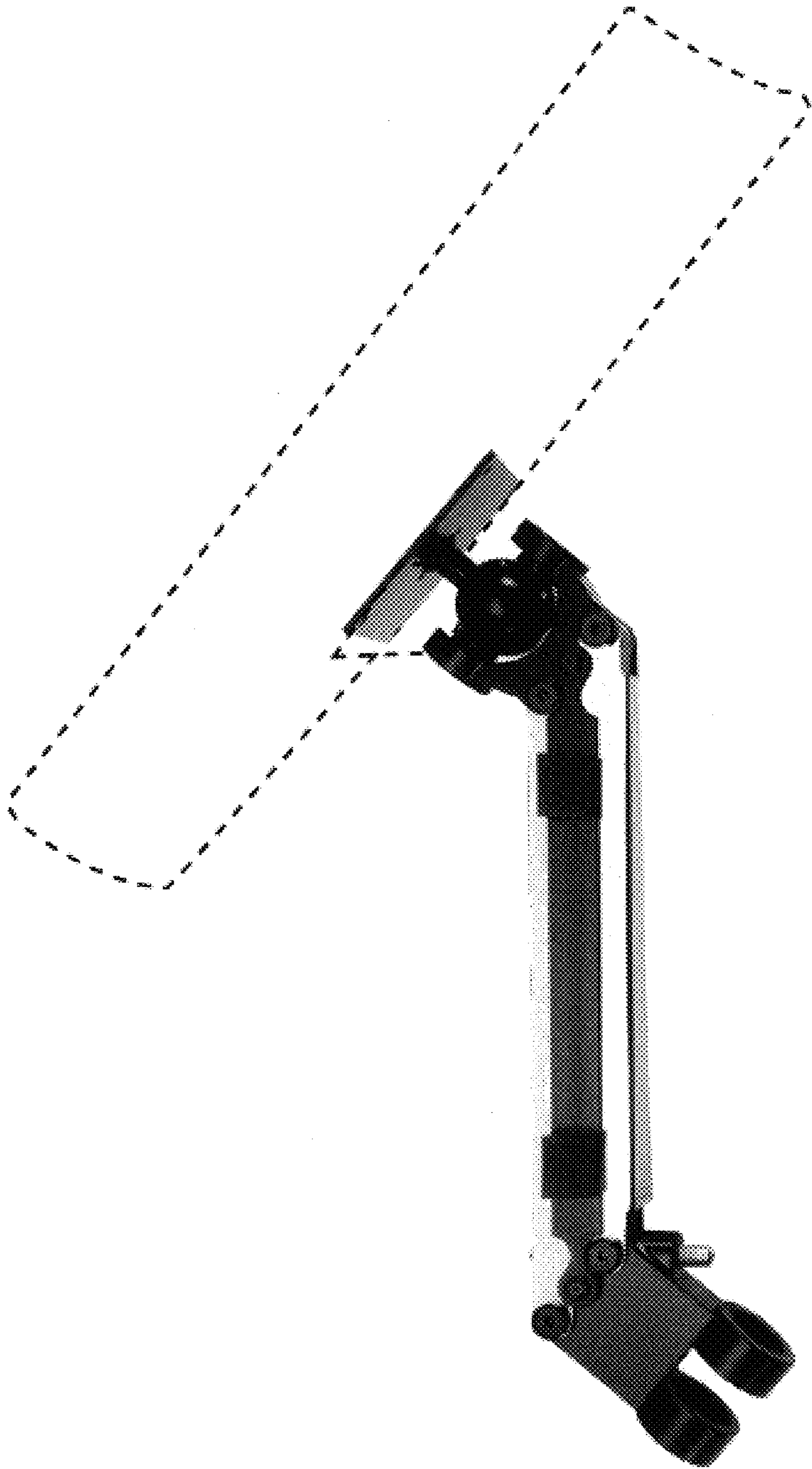


FIG. 9