



US00D462968S

(12) **United States Design Patent**
Lee

(10) **Patent No.:** **US D462,968 S**

(45) **Date of Patent:** **** Sep. 17, 2002**

(54) **BEZEL FOR COMPUTER WORKSTATION**

D429,730 S * 8/2000 Jean et al. D14/441
D436,965 S * 1/2001 Lin D14/441

(75) Inventor: **Milton C. Lee**, Mountain View, CA
(US)

* cited by examiner

(73) Assignee: **Sun Microsystems, Inc.**, Palo Alto, CA
(US)

Primary Examiner—Freda Nunn

(74) *Attorney, Agent, or Firm*—O'Melveny & Myers LLP

(**) Term: **14 Years**

(57) **CLAIM**

The ornamental design for a bezel for computer workstation,
as shown and described.

(21) Appl. No.: **29/137,146**

(22) Filed: **Feb. 13, 2001**

DESCRIPTION

(51) **LOC (7) Cl.** **14-02**

FIG. 1 is a top front and right side perspective view of a
bezel for computer workstation;

(52) **U.S. Cl.** **D14/441**

FIG. 2 is a front elevational view thereof;

(58) **Field of Search** D14/441-446,

FIG. 3 is a top plan view thereof;

D14/257, 348, 349, 361-363; D13/162,
184, 199, 177; 312/223.2; 361/680-686

FIG. 4 is a bottom plan view thereof;

FIG. 5 is a left side elevational view thereof; and,

FIG. 6 is a right side elevational view thereof.

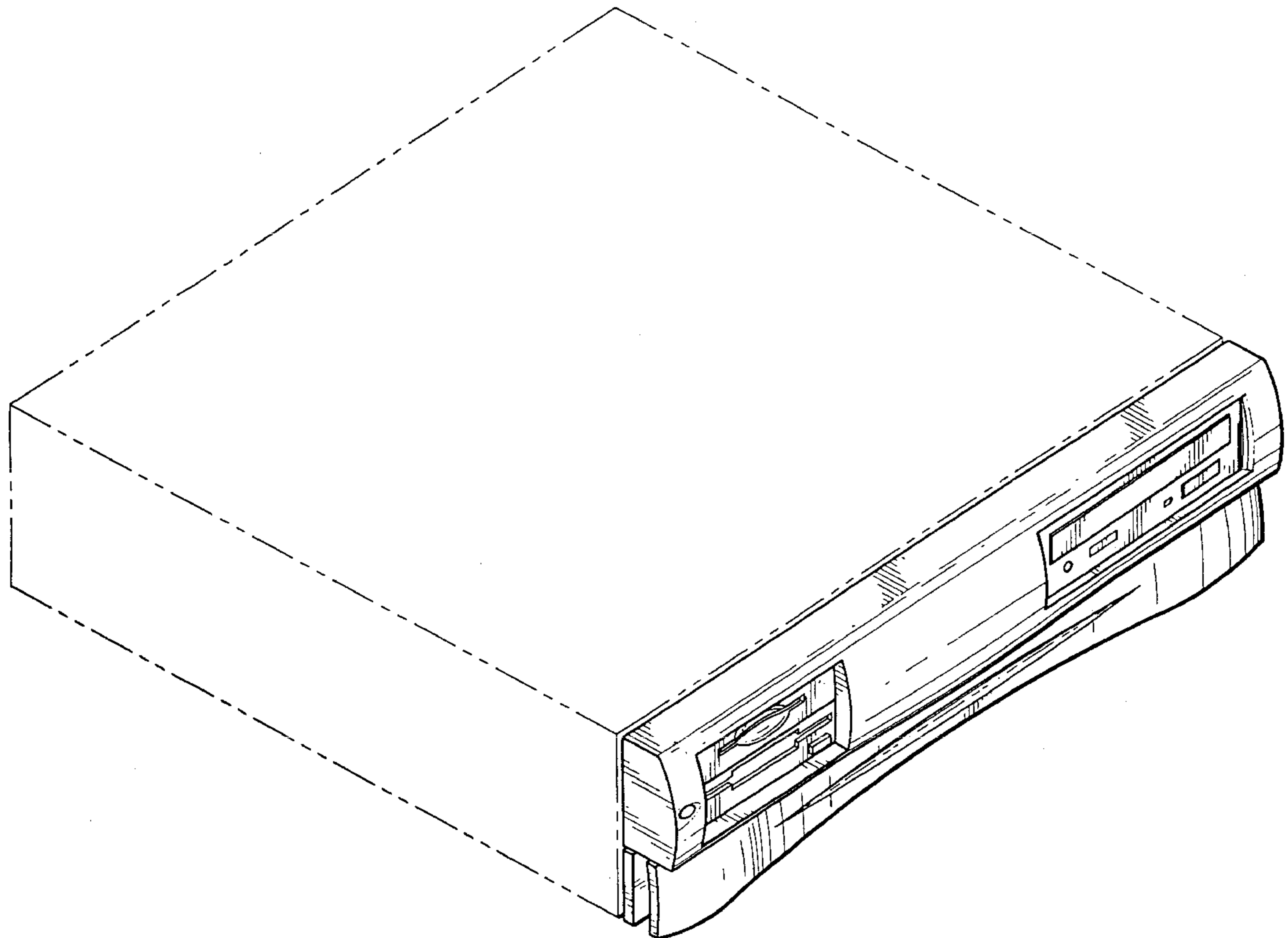
(56) **References Cited**

The broken lines are shown in the views for illustrative
purposes only and form no part of the claimed design.

U.S. PATENT DOCUMENTS

D425,520 S * 5/2000 Liao D14/441

1 Claim, 3 Drawing Sheets



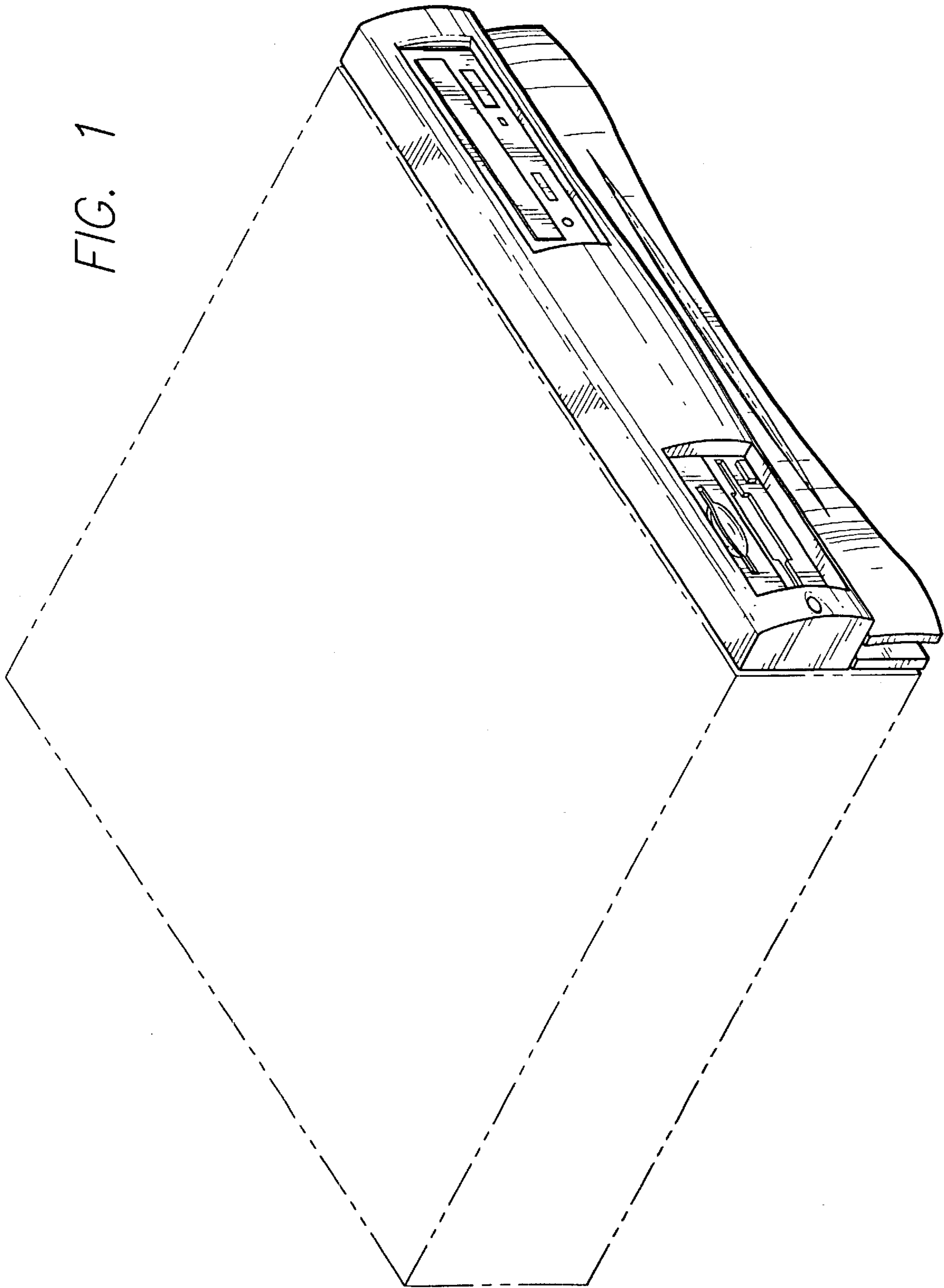


FIG. 2

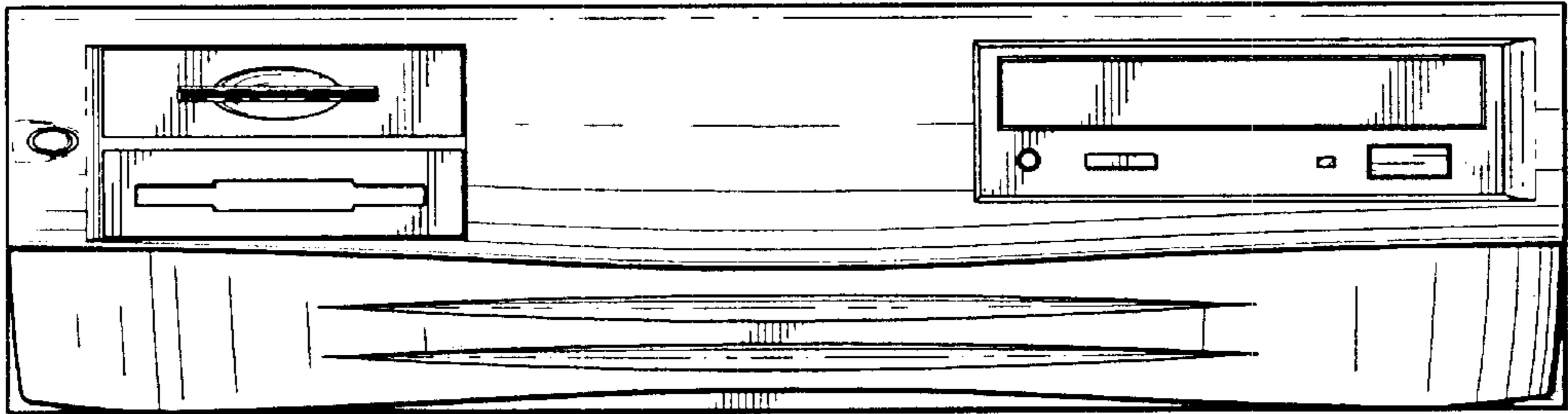


FIG. 3

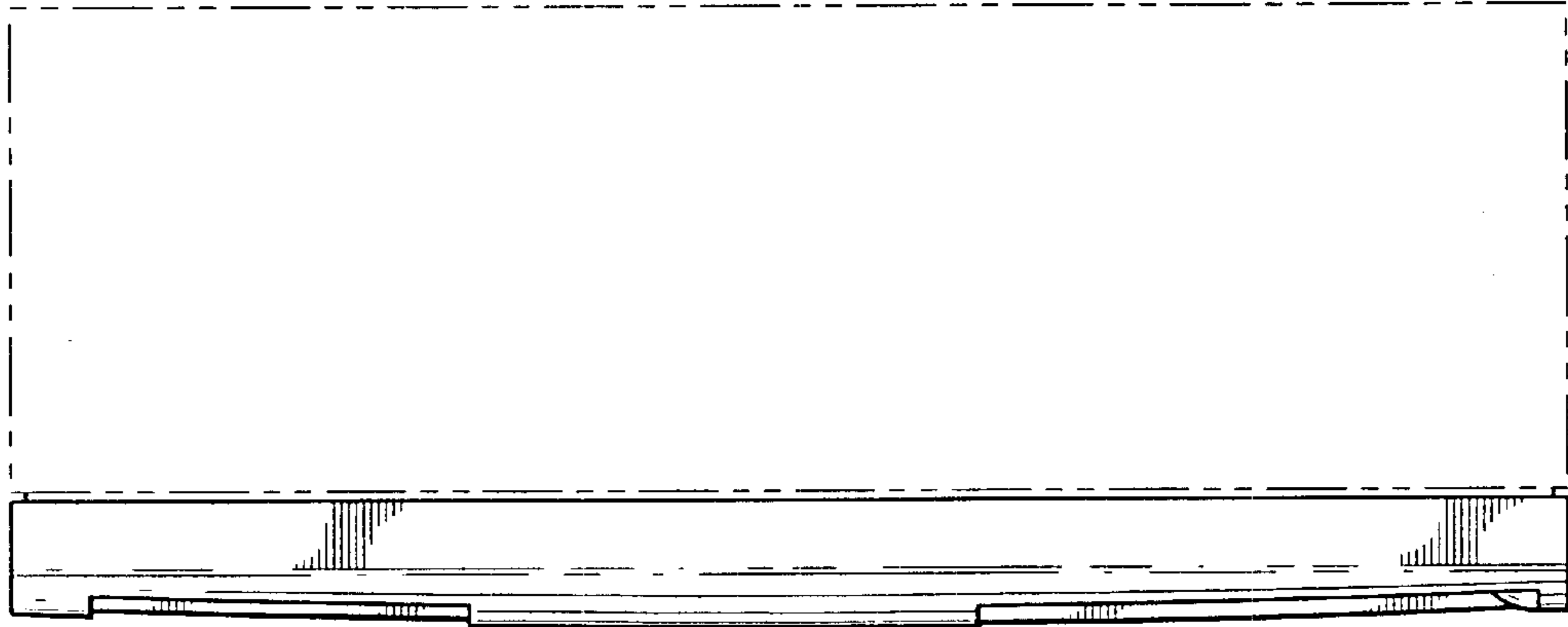
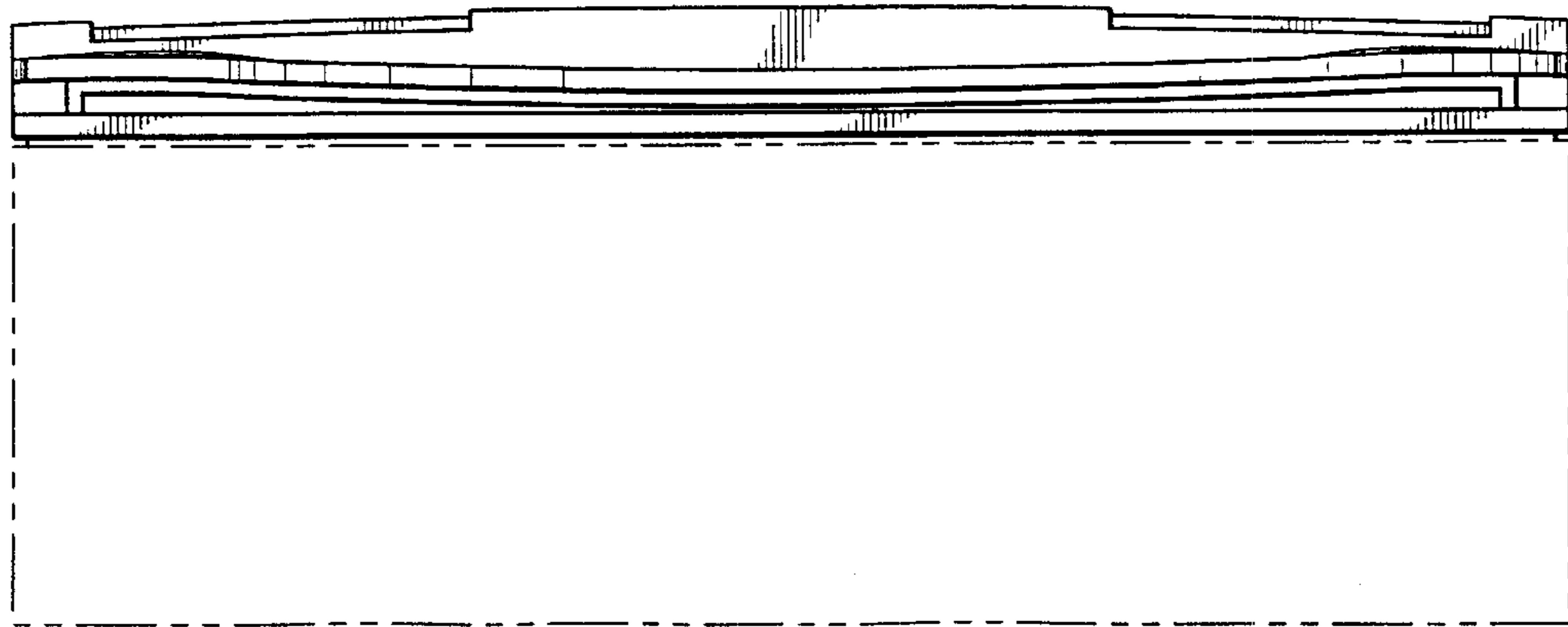


FIG. 4



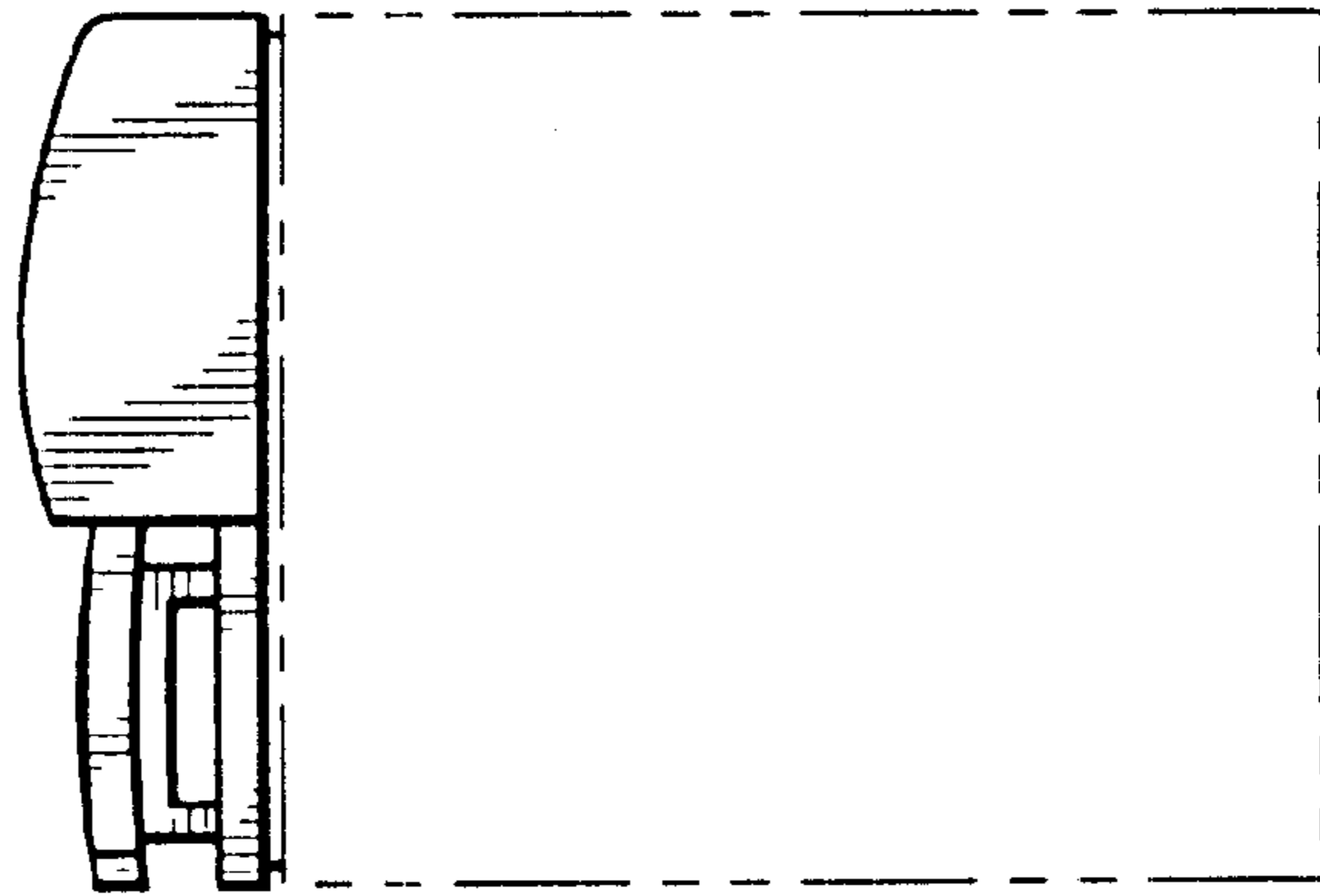


FIG. 5

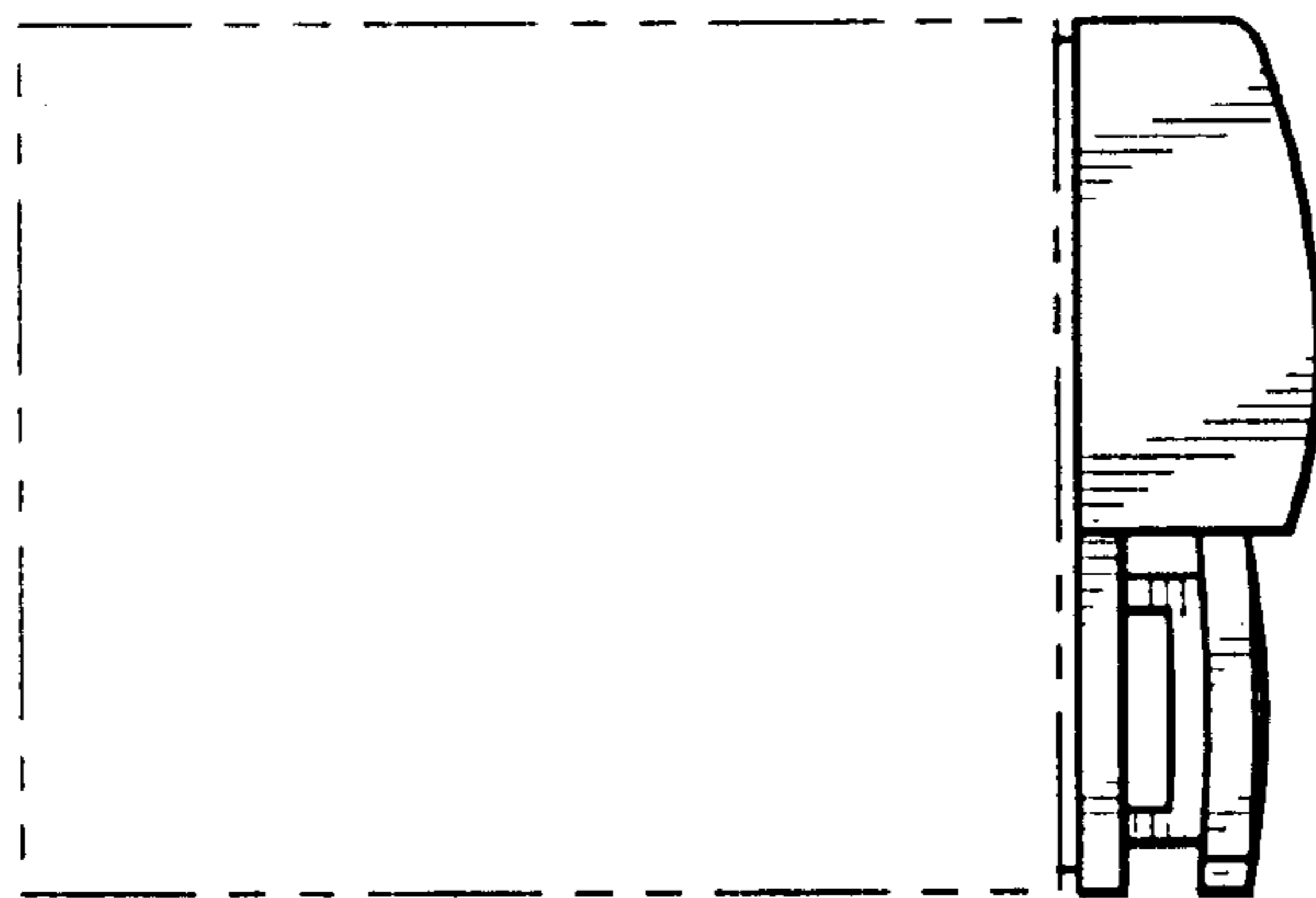


FIG. 6