

US00D462967S

(12) **United States Design Patent**
Suzuki

(10) **Patent No.:** **US D462,967 S**

(45) **Date of Patent:** **** Sep. 17, 2002**

(54) **PORTION OF AN ELECTRONIC COMPUTER**

(75) Inventor: **Motoyuki Suzuki**, Funabashi (JP)

(73) Assignee: **Kabushiki Kaisha Toshiba**, Kawasaki (JP)

(**) Term: **14 Years**

(21) Appl. No.: **29/129,323**

(22) Filed: **Sep. 13, 2000**

(30) **Foreign Application Priority Data**

Mar. 16, 2000 (JP) 2000-005887

(51) **LOC (7) Cl.** **14-02**

(52) **U.S. Cl.** **D14/439; D14/315**

(58) **Field of Search** D14/432, 440,
D14/315, 318, 439; 345/156, 168, 901-05;
361/679-86

(56) **References Cited**

U.S. PATENT DOCUMENTS

D328,455 S 8/1992 Izaki
D335,123 S * 4/1993 Smiley

D358,171 S 5/1995 Cheng
D374,664 S * 10/1996 Nelson et al.
D393,453 S * 4/1998 Iino et al.
D396,219 S * 7/1998 Lee
D426,548 S * 6/2000 Oross et al.
D437,854 S * 2/2001 Han et al.

* cited by examiner

Primary Examiner—M. H. Tung

(74) *Attorney, Agent, or Firm*—Banner & Witcoff, Ltd.

(57) **CLAIM**

The ornamental design for a portion of an electronic computer, as shown and described.

DESCRIPTION

FIG. 1 is a top, front and right side perspective view of a portion of an electronic computer showing my new design. FIG. 2 is a front elevational view thereof. FIG. 3 is a top plan view thereof. FIG. 4 is a right side elevational view thereof. FIG. 5 is a left side elevational view thereof. FIG. 6 is a rear elevational view thereof; and, FIG. 7 is a bottom plan view thereof.

1 Claim, 3 Drawing Sheets

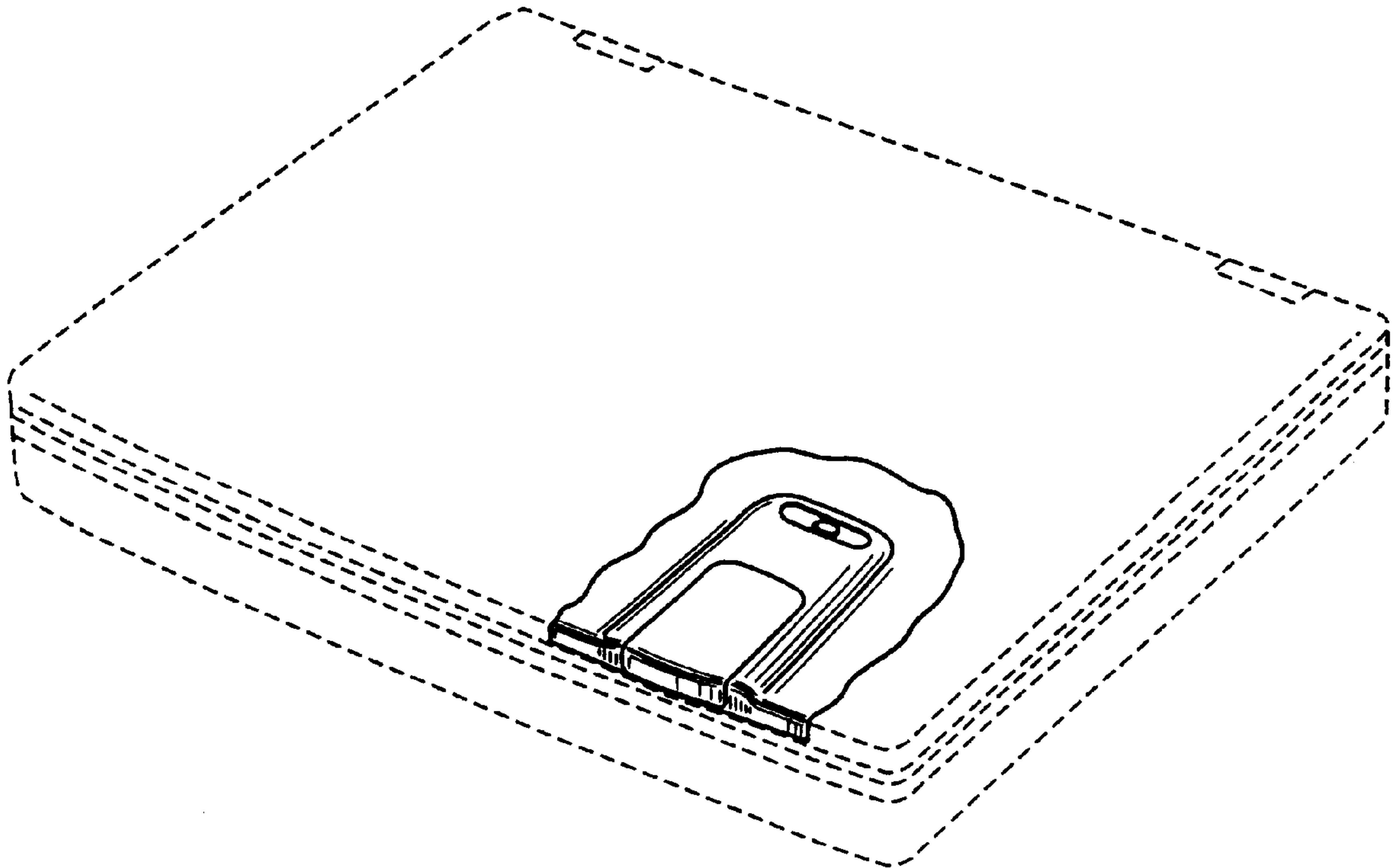


FIG. 1

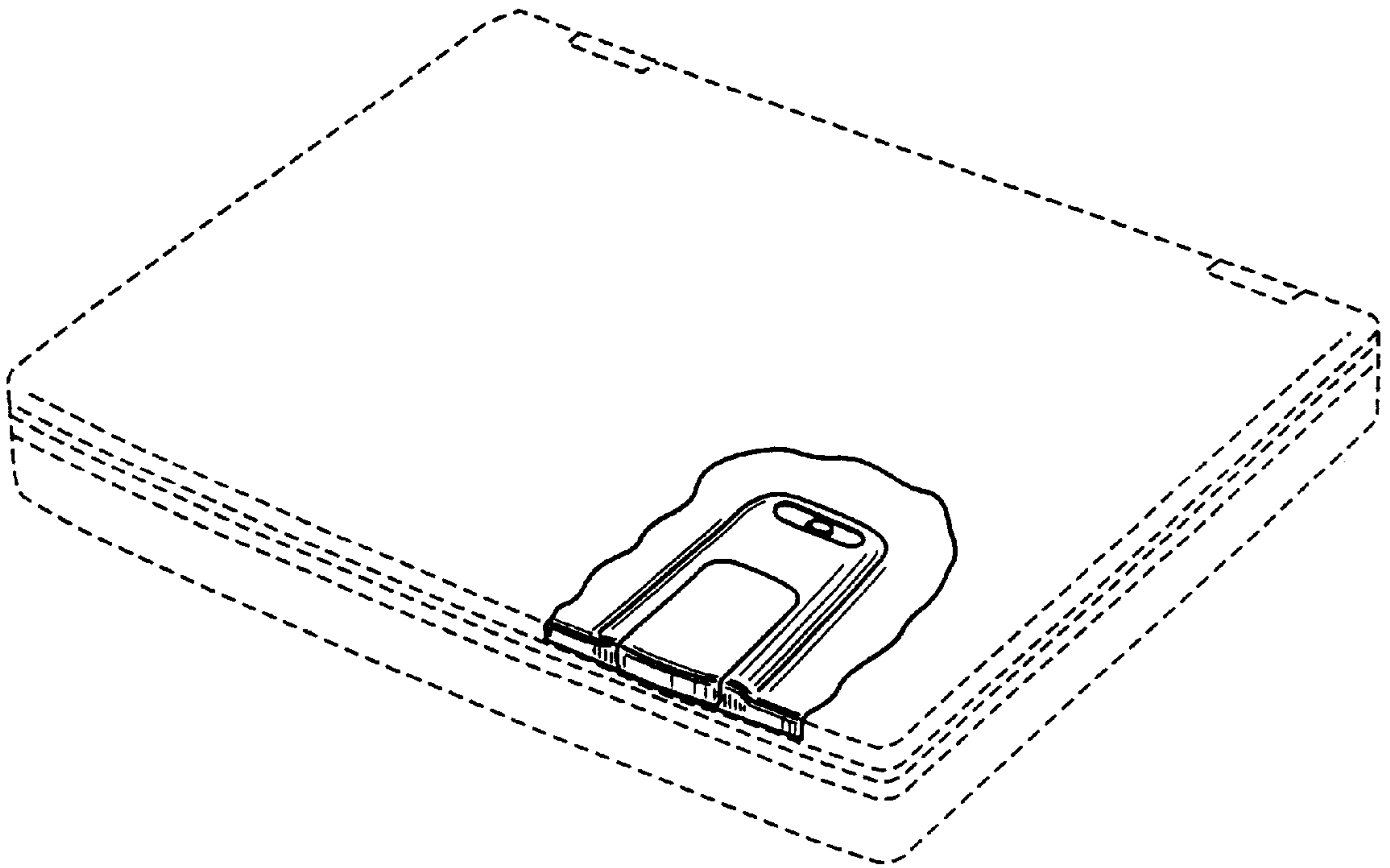


FIG. 2

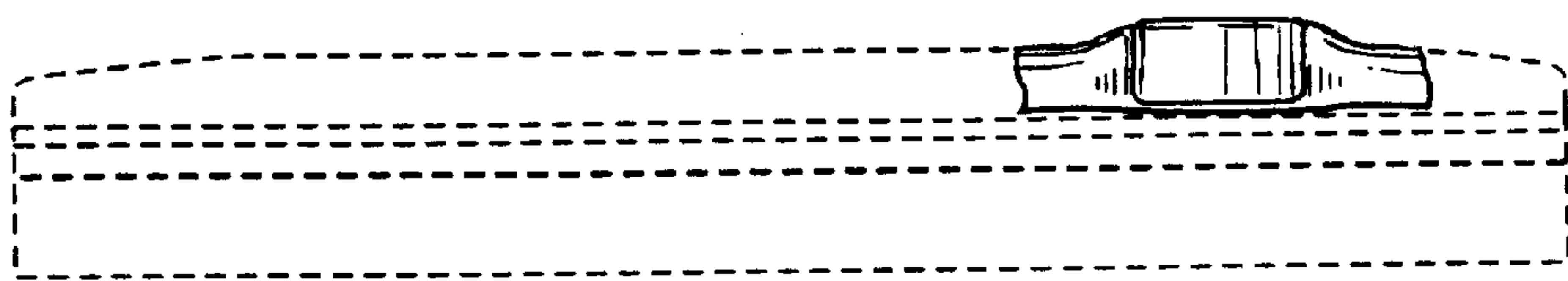


FIG. 3

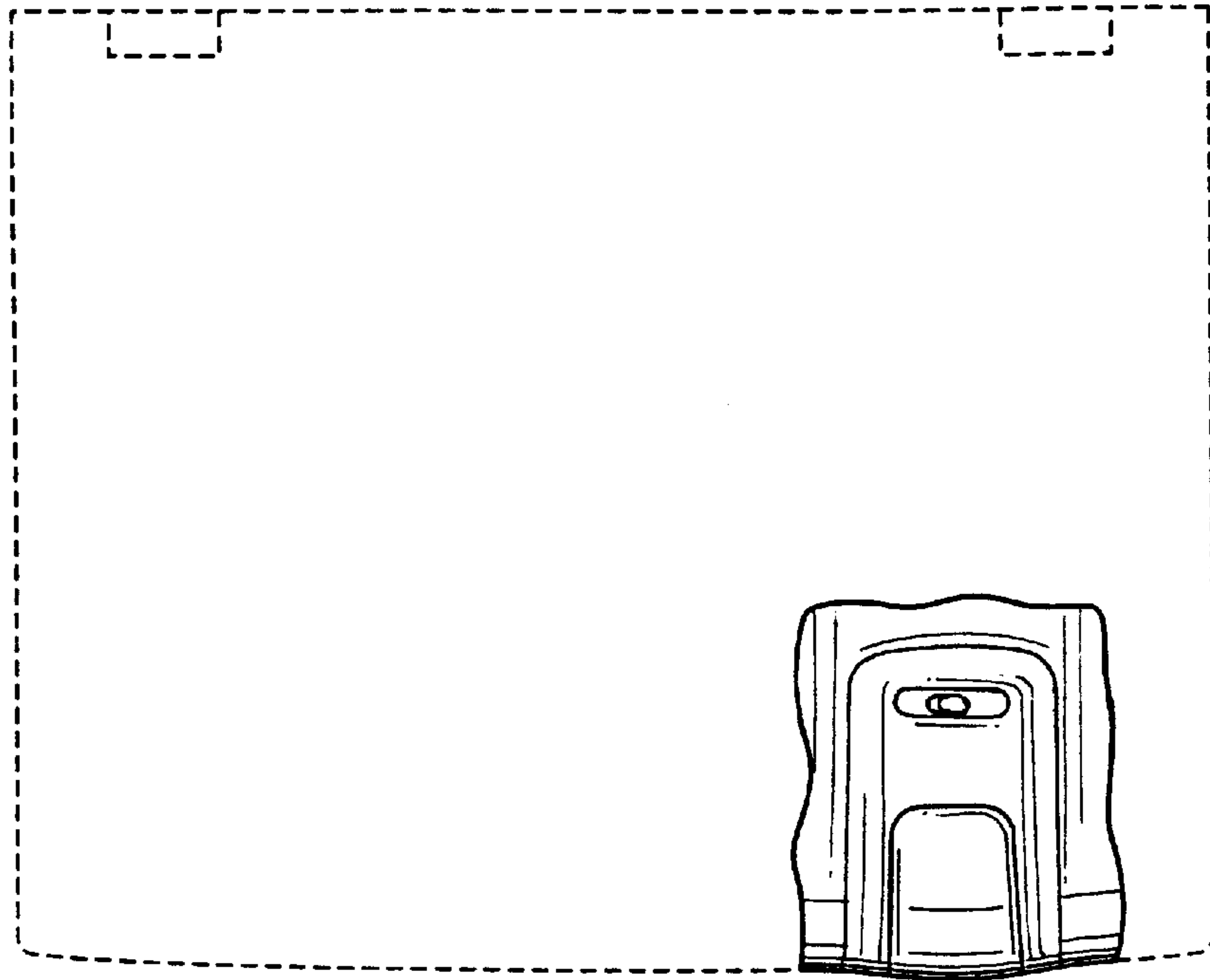


FIG. 4

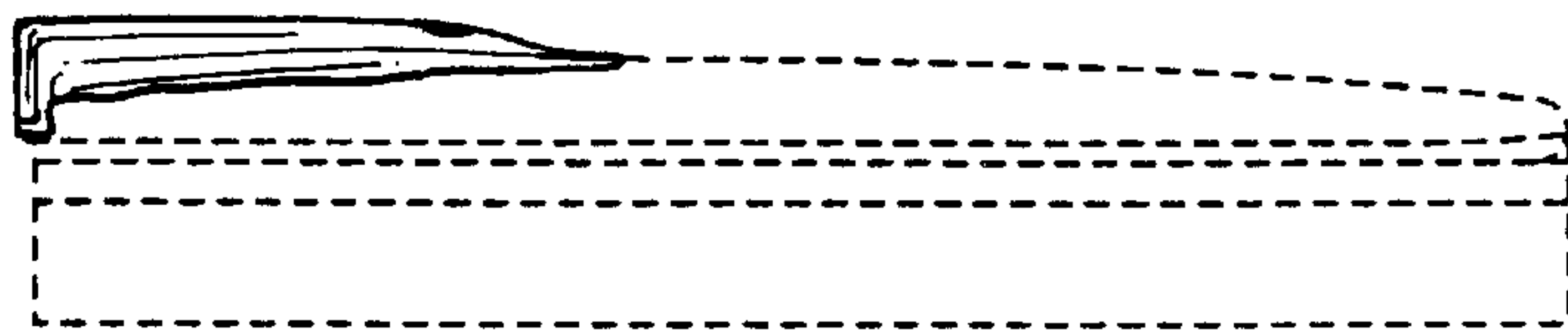


FIG. 5

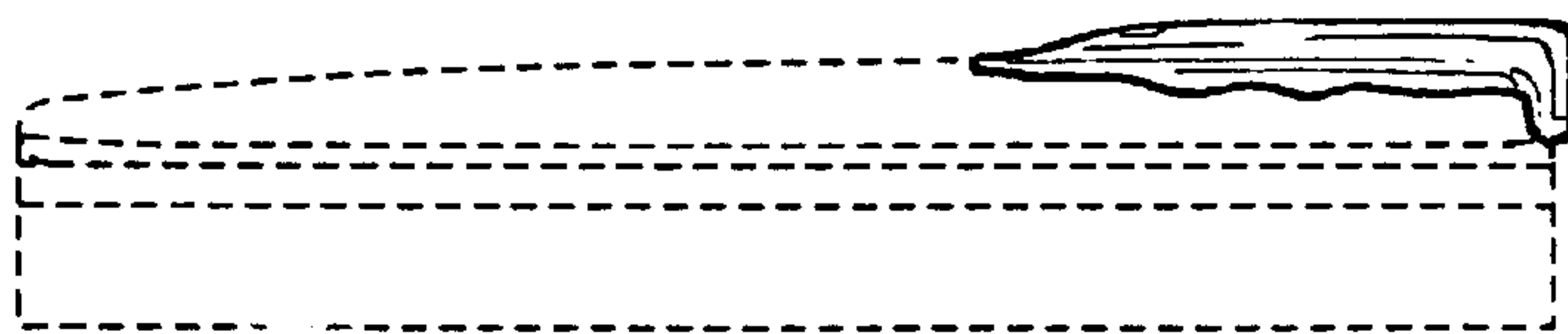


FIG. 6

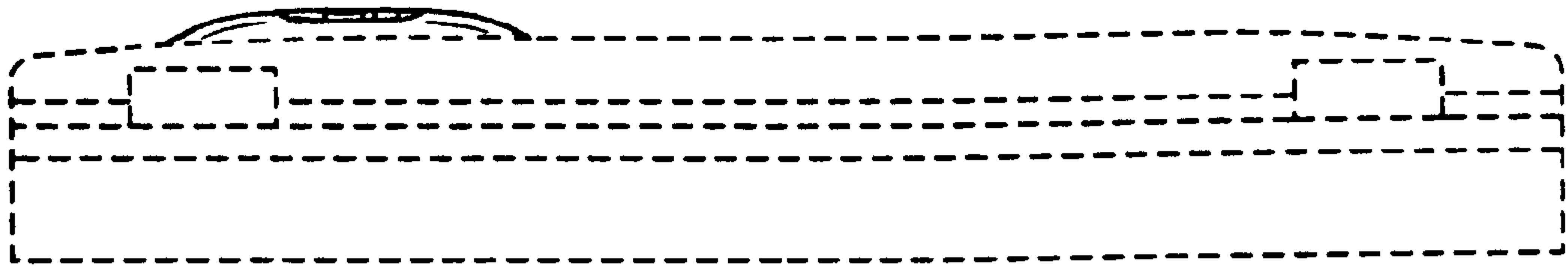


FIG. 7

