



US00D462960S

(12) **United States Design Patent**  
**Tanaka**

(10) **Patent No.:** **US D462,960 S**

(45) **Date of Patent:** **\*\* Sep. 17, 2002**

(54) **PORTION OF ARITHMETIC OPERATION CONTROL MACHINE FOR ELECTRONIC COMPUTER**

(75) Inventor: **Keita Tanaka**, Tokyo (JP)

(73) Assignee: **Kabushiki Kaisha Toshiba**, Tokyo (JP)

(\*\*) Term: **14 Years**

(21) Appl. No.: **29/148,023**

(22) Filed: **Sep. 14, 2001**

(30) **Foreign Application Priority Data**

Mar. 14, 2001 (JP) ..... 2001-006626

(51) **LOC (7) Cl.** ..... **14-02**

(52) **U.S. Cl.** ..... **D14/356; D14/444**

(58) **Field of Search** ..... D14/356, 444,  
D14/363-365, 367; D13/162, 184, 199;  
312/223.1-223.3; 360/99.01-99.12; 361/690-696;  
369/34.01, 36.01

(56) **References Cited**

**U.S. PATENT DOCUMENTS**

D306,286 S	*	2/1990	Sawatani et al.	.....	D14/368
D319,225 S	*	8/1991	Kline et al.	.....	D14/368
D350,945 S	*	9/1994	Hill et al.	.....	D14/368
D420,336 S	*	2/2000	Tanaka	.....	D13/147 X
6,088,224 A	*	7/2000	Gallagher et al.	.....	361/695
D438,205 S	*	2/2001	Tanaka	.....	D14/356

**OTHER PUBLICATIONS**

“Asaca AHS-202M”, Extract from the Catalog of Asaca Corporation, Short Form vol. 3, Jul. 5, 2000, 3 pages.

\* cited by examiner

*Primary Examiner*—Freda Nunn

(74) *Attorney, Agent, or Firm*—Oblon, Spivak, McClelland, Maier & Neustadt, P.C.

(57) **CLAIM**

The ornamental design for a portion of arithmetic operation control machine for electronic computer, as shown and described.

**DESCRIPTION**

FIG. 1 is a front, top and right side perspective view of portion of arithmetic operation control machine for electronic computer, showing my new design;

FIG. 2 is an enlarged fragmented perspective view thereof, taken along the line II—II in FIG. 1;

FIG. 3 is a front elevational view thereof;

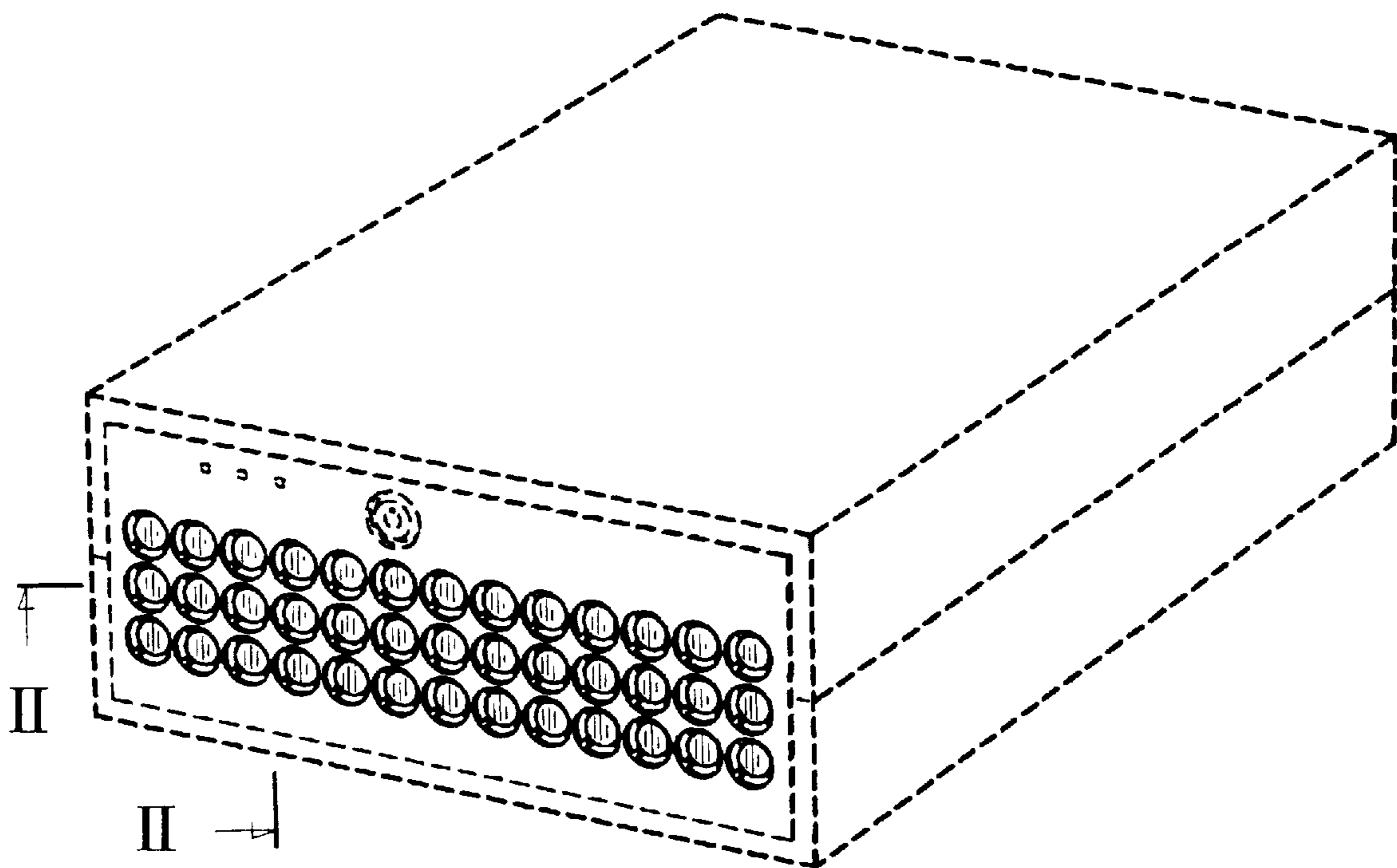
FIG. 4 is a rear elevational view thereof;

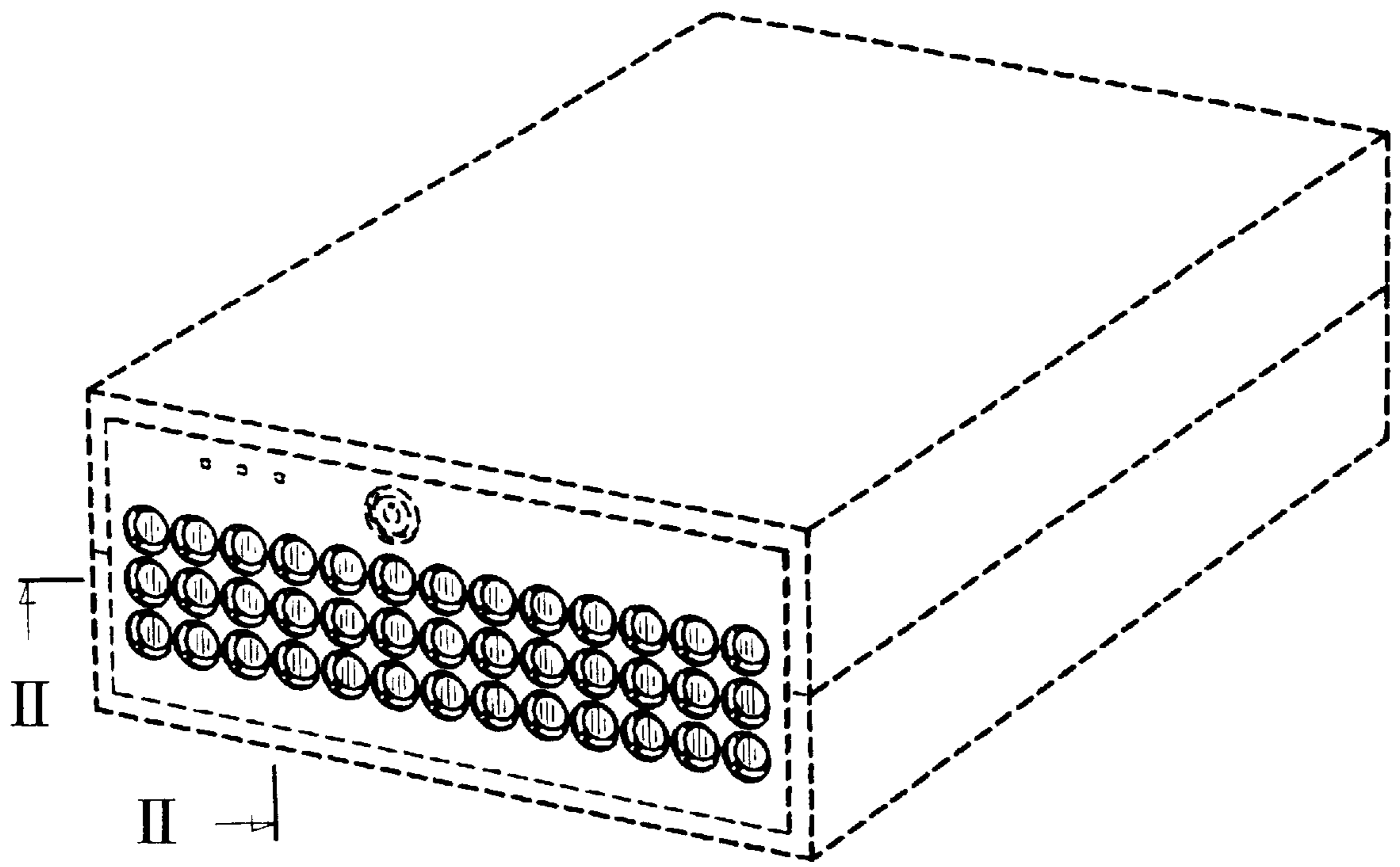
FIG. 5 is a right side elevational view thereof; the opposite side being a mirror image thereof; and,

FIG. 6 is a top plan view thereof; the opposite side being a mirror image thereof.

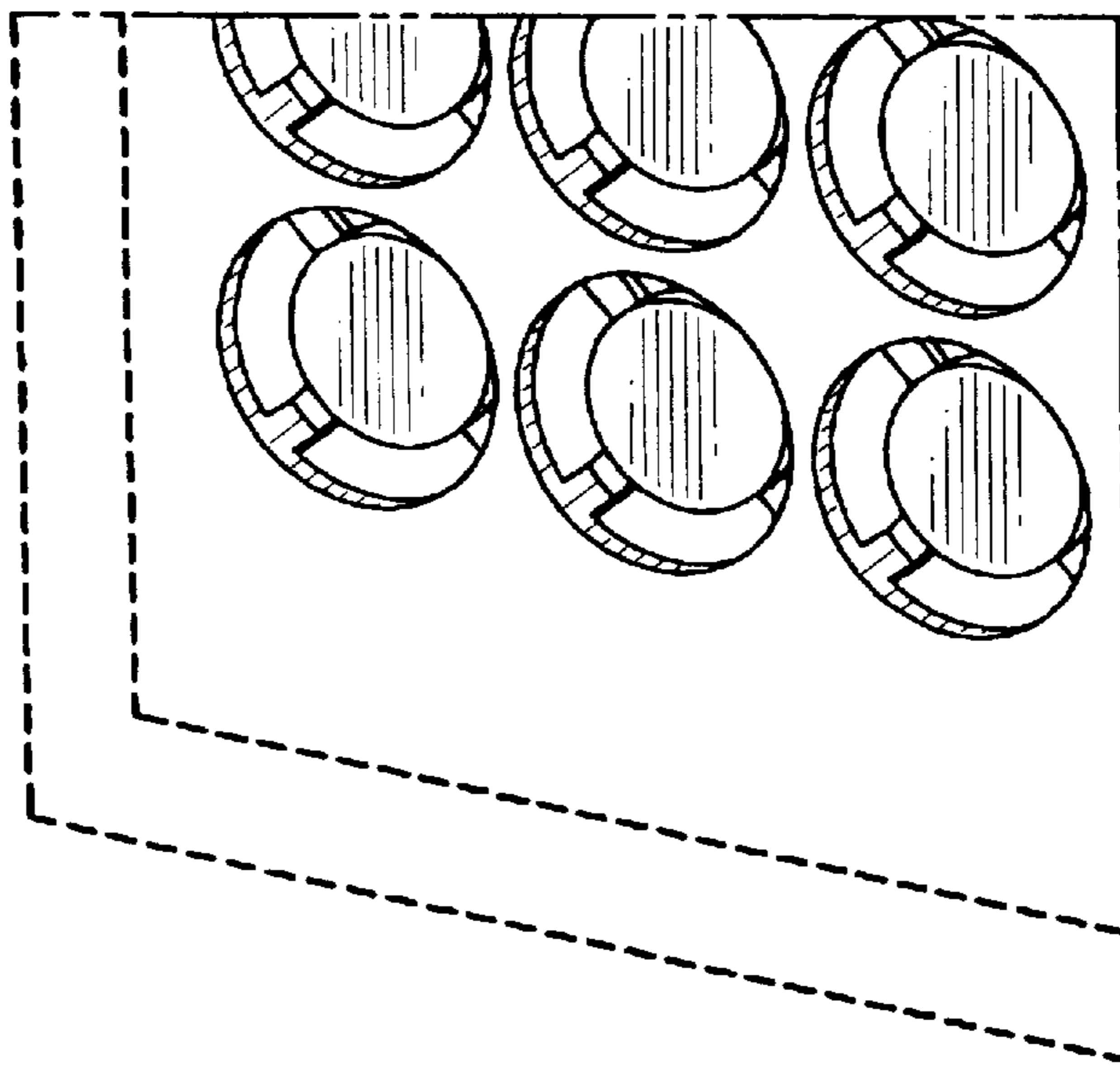
The broken lines are included for the purpose of illustrating environmental structure only and form no part of the claimed design.

**1 Claim, 3 Drawing Sheets**

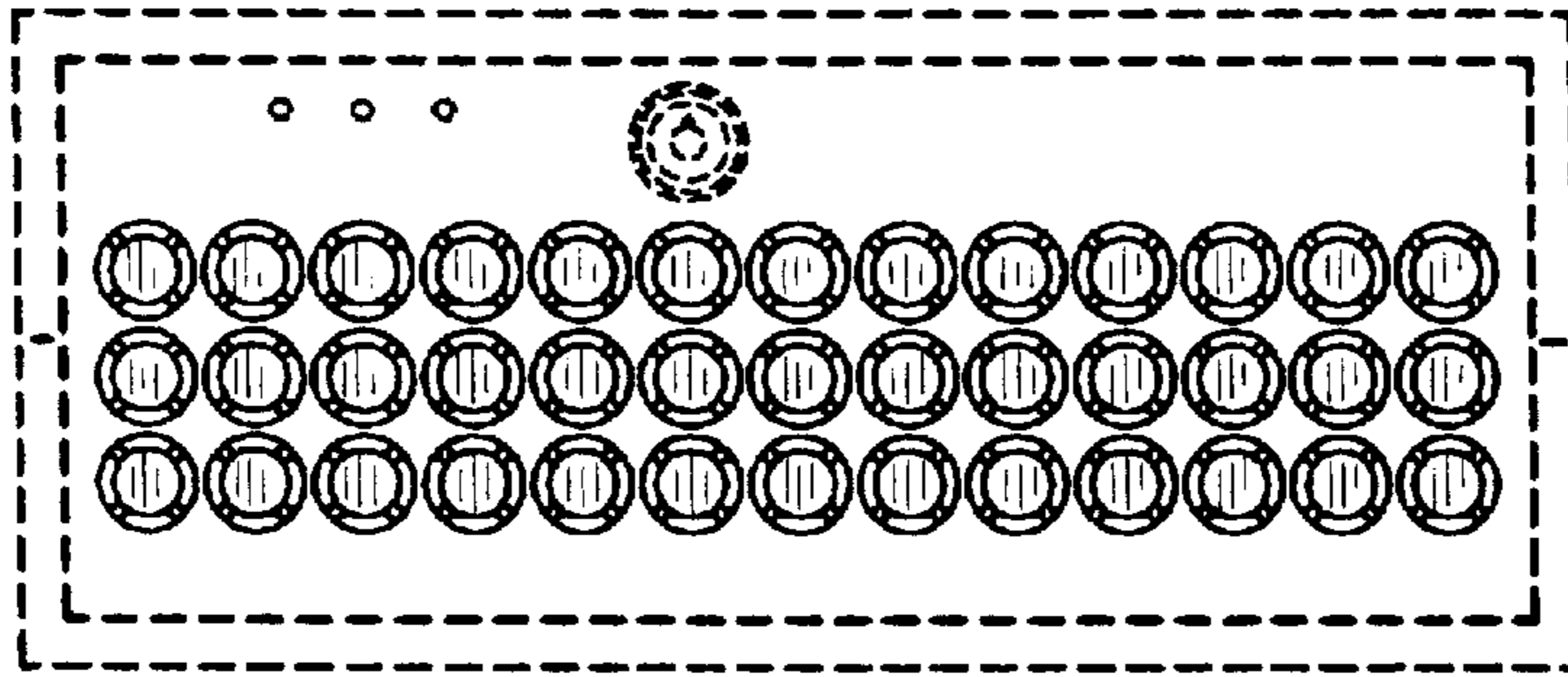




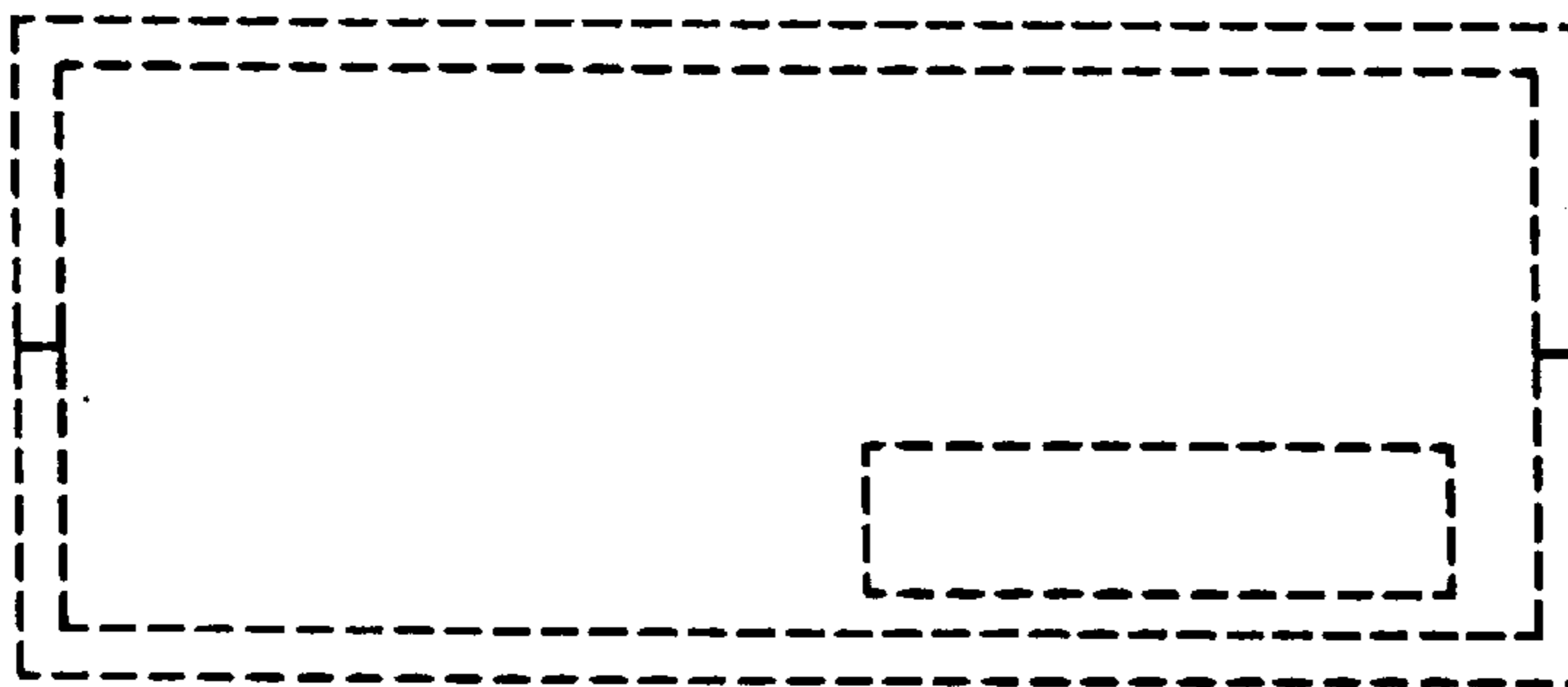
*Fig. 1*



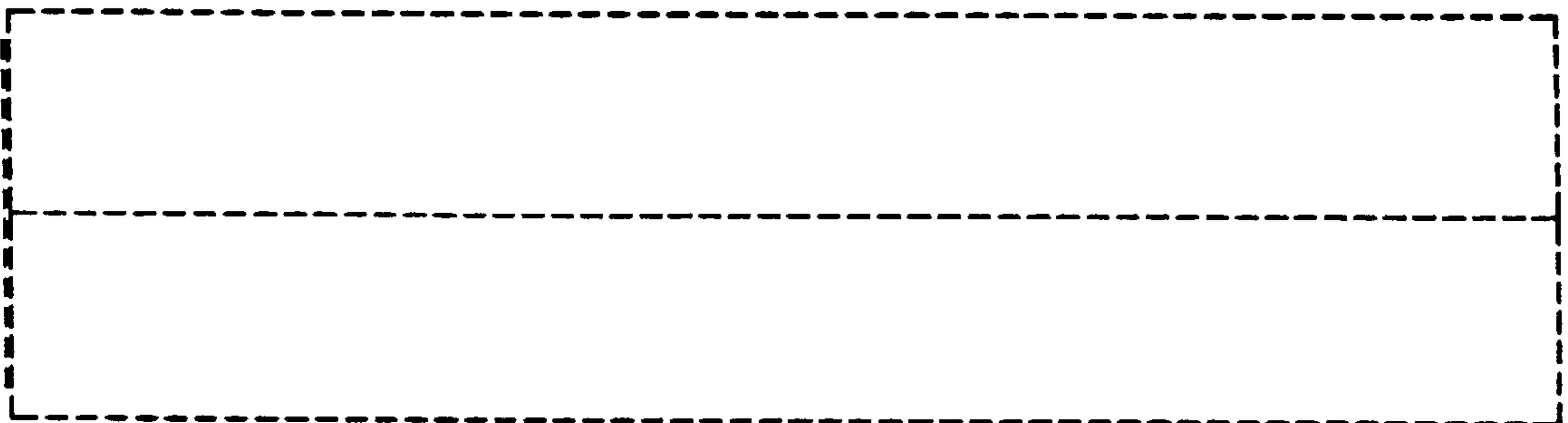
*Fig. 2*



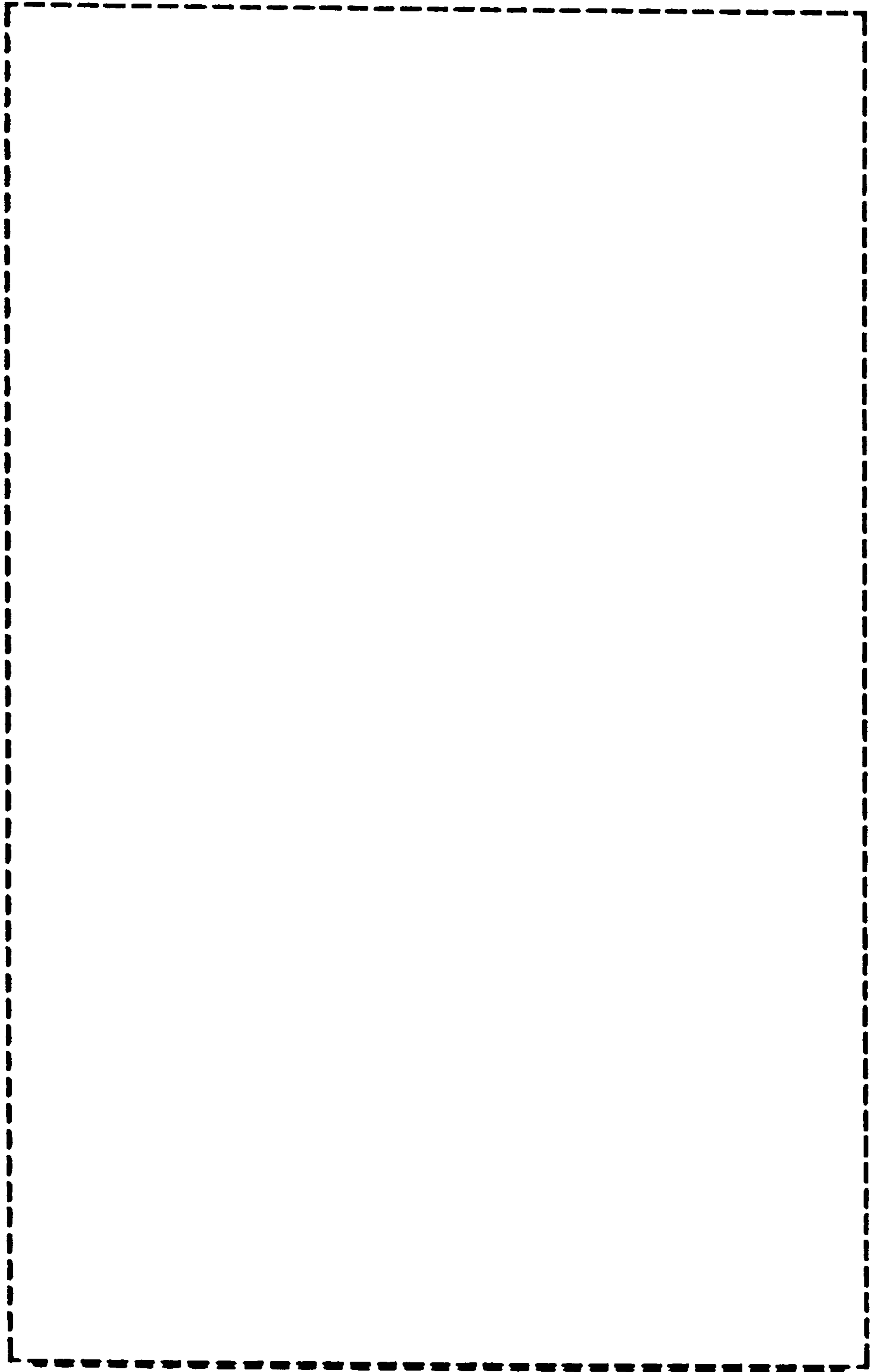
*Fig. 3*



*Fig. 4*



*Fig. 5*



*Fig. 6*