



US00D462956S

(12) **United States Design Patent**
Ogasawara

(10) **Patent No.:** **US D462,956 S**

(45) **Date of Patent:** **** Sep. 17, 2002**

(54) **COMBINED COMPUTER AND VIDEO CAMERA**

(74) *Attorney, Agent, or Firm*—Rader, Fishman & Grauer, PLLC

(75) **Inventor:** **Shinichi Ogasawara, Tokyo (JP)**

(57) **CLAIM**

(73) **Assignee:** **Sony Corporation, Tokyo (JP)**

The ornamental design for a combined computer and video camera, as shown and described.

(**) **Term:** **14 Years**

DESCRIPTION

(21) **Appl. No.:** **29/147,746**

FIG. 1 is a perspective view of a combined computer and video camera showing my new design;

(22) **Filed:** **Sep. 6, 2001**

FIG. 2 is a front elevational view thereof;

(51) **LOC (7) Cl.** **14-02**

FIG. 3 is a rear elevational view thereof;

(52) **U.S. Cl.** **D14/317; D16/202; D16/208**

FIG. 4 is a left side elevational view thereof;

(58) **Field of Search** D14/315, 317, D14/318, 319, 333, 334, 335; D18/1, 2, 7; 235/145 A, 145 R; 341/22, 23; 345/104, 156, 168, 169, 173; 361/680-686; 400/486, 489; 348/220, 373; 386/117; D16/202, 208

FIG. 5 is a right side elevational view thereof;

FIG. 6 is a top plan view thereof;

FIG. 7 is a bottom plan view thereof;

FIG. 8 is a bottom plan view thereof, wherein the monitor is in the open position;

FIG. 9 is a front view thereof, wherein the monitor is in the open position;

(56) **References Cited**

U.S. PATENT DOCUMENTS

D383,475 S	9/1997	Yamauchi et al.	D16/202
5,808,672 A *	9/1998	Wakabayashi et al.	348/220
D408,794 S	4/1999	Ogasawara	D14/341
D409,583 S *	5/1999	Nishida et al.	D14/317
5,903,706 A *	5/1999	Wakabayashi et al.	386/117
6,118,485 A *	9/2000	Hinoue et al.	348/373
6,118,653 A *	9/2000	Kim	361/683
6,141,052 A *	10/2000	Fukumitsu et al.	348/373

FIG. 10 is a left side view thereof, wherein the monitor is in the open position;

FIG. 11 is a bottom plan view thereof, wherein the monitor is in the open and turning position;

FIG. 12 is a perspective view thereof, wherein the monitor is in the open and turning position;

FIG. 13 is a front view thereof, wherein the monitor is in a closed inward position;

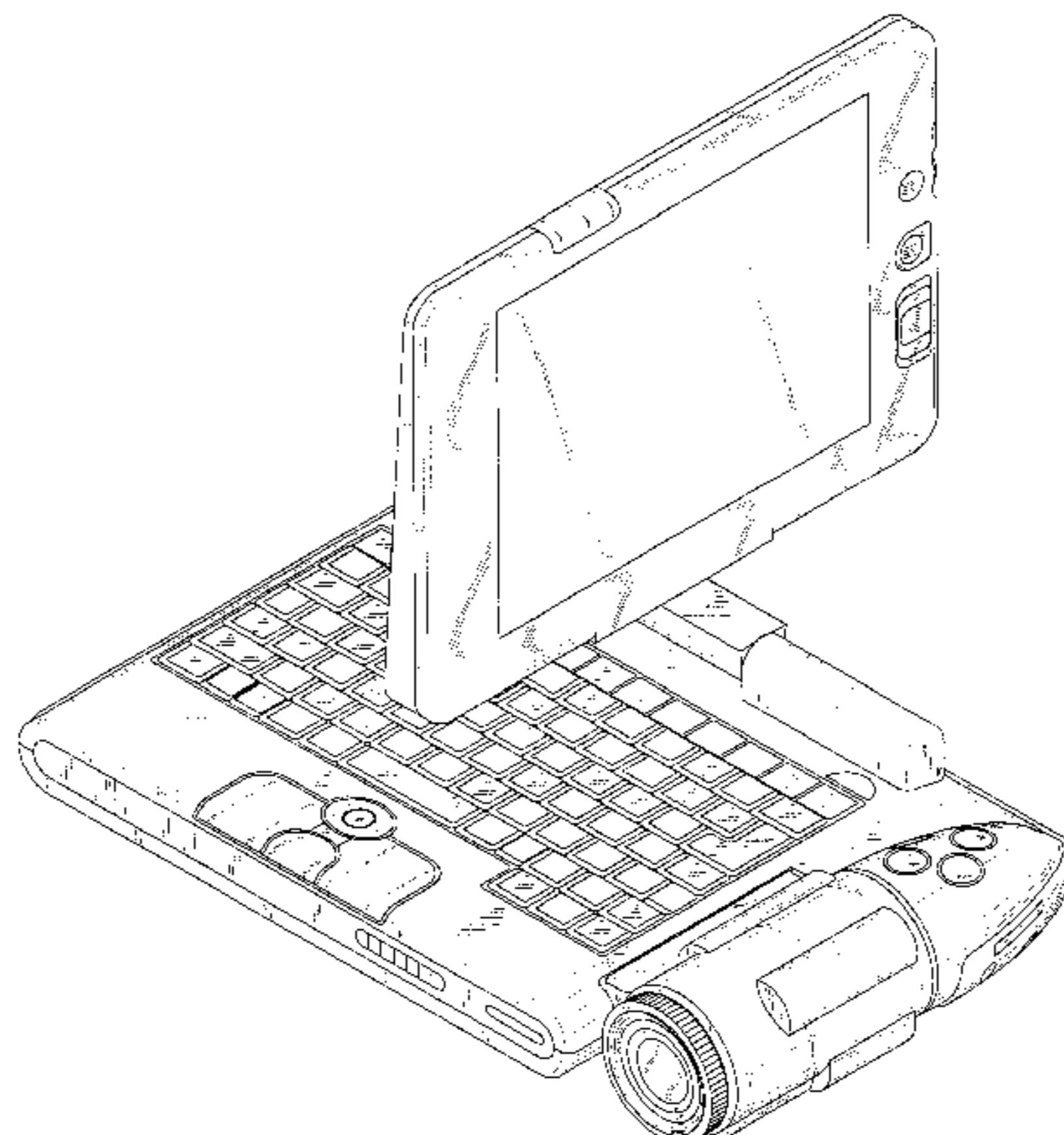
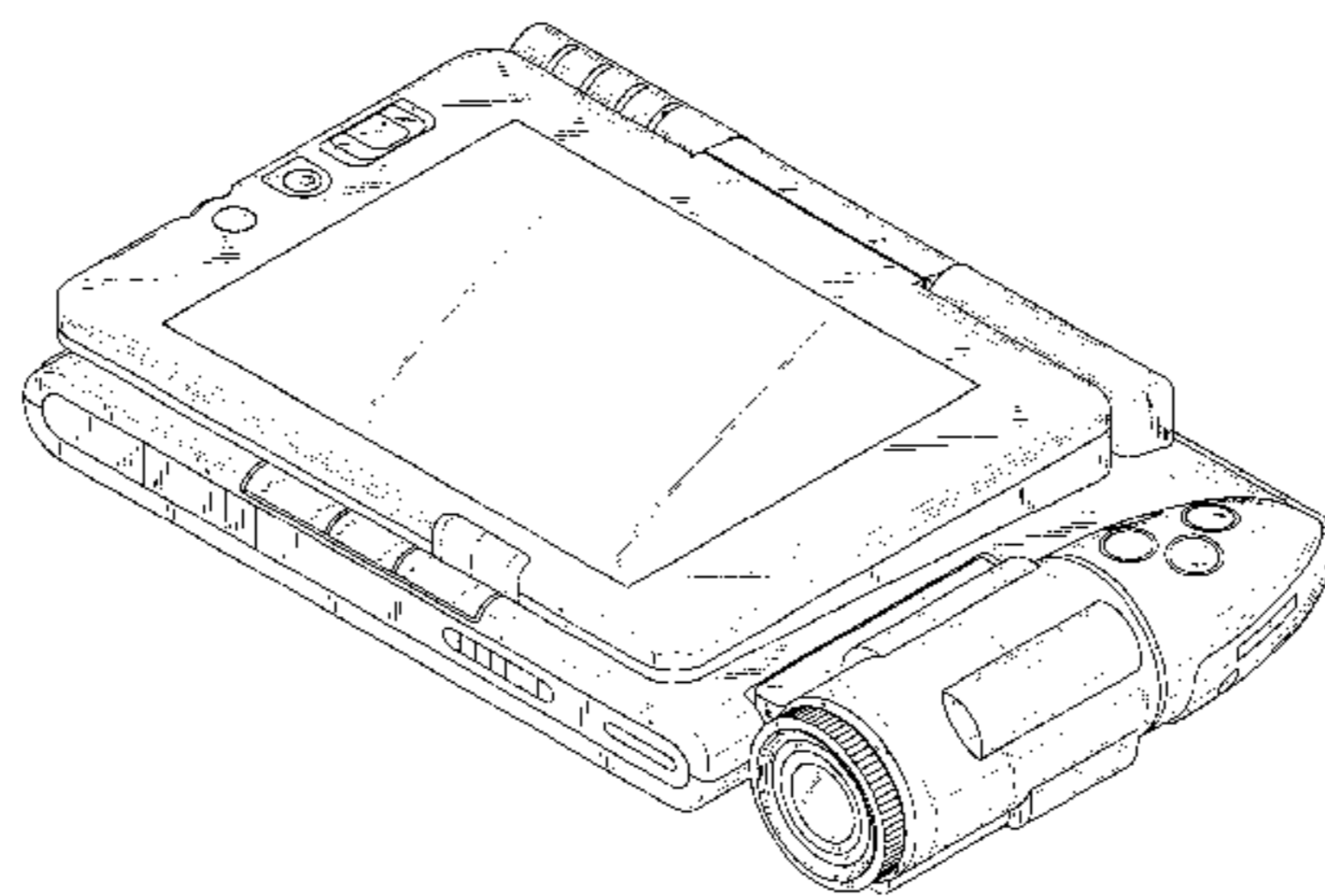
FIG. 14 is a left side view thereof, wherein the camera is in a first alternating position; and,

FIG. 15 is a left side view thereof, wherein the camera is in a second alternating position.

* cited by examiner

Primary Examiner—Freda Nunn

1 Claim, 8 Drawing Sheets



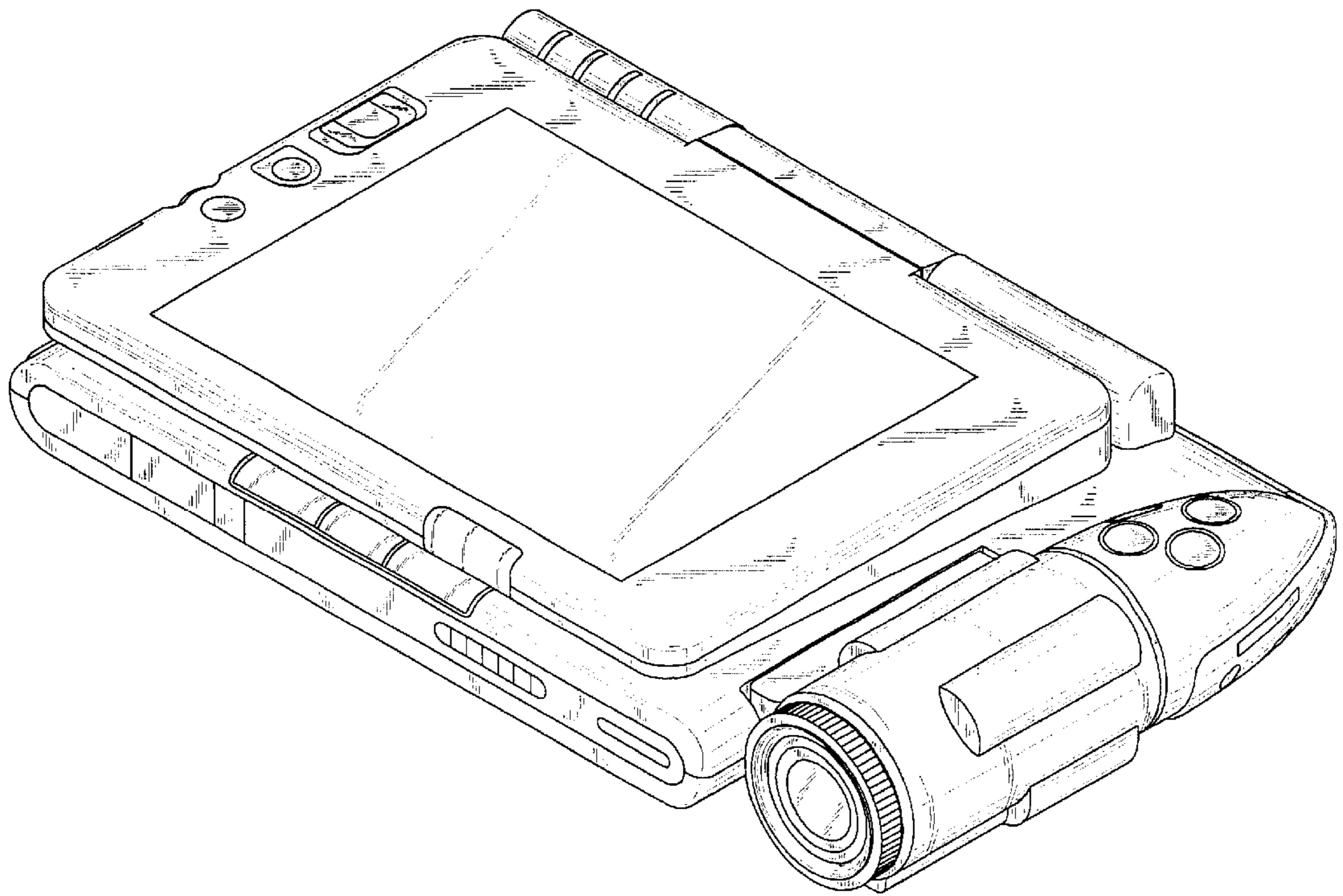


Fig. 1

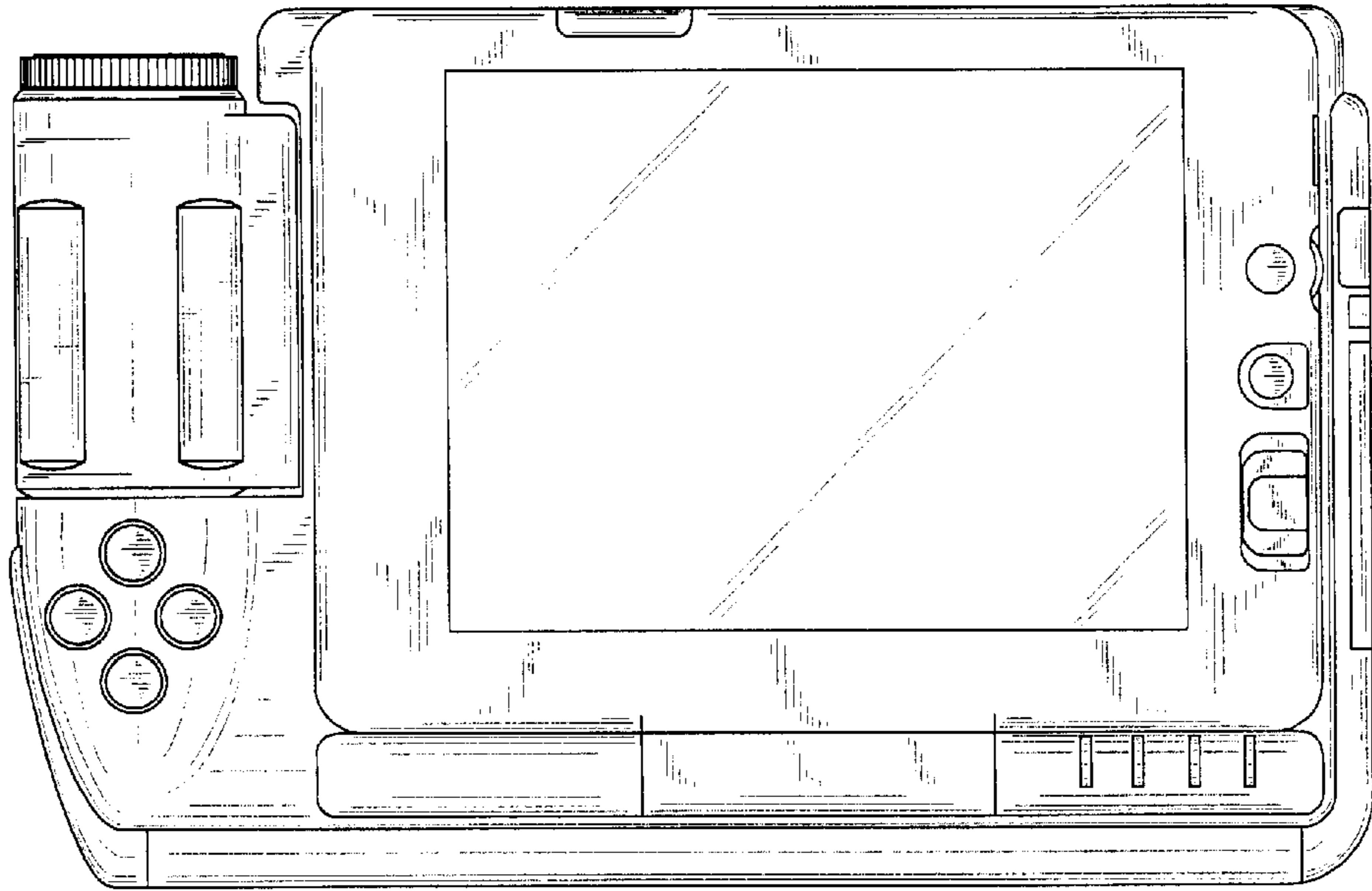


Fig. 2

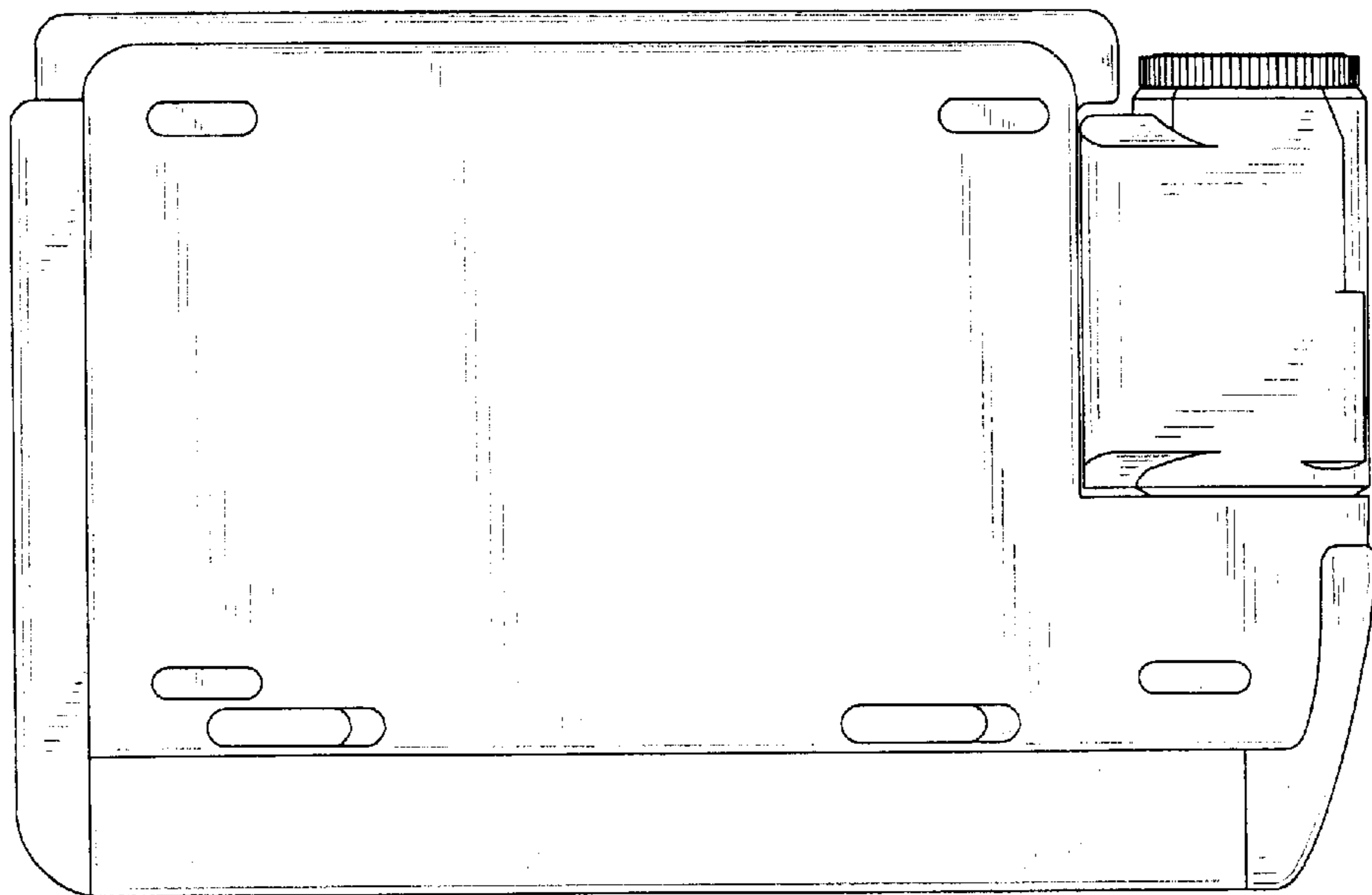


Fig. 3

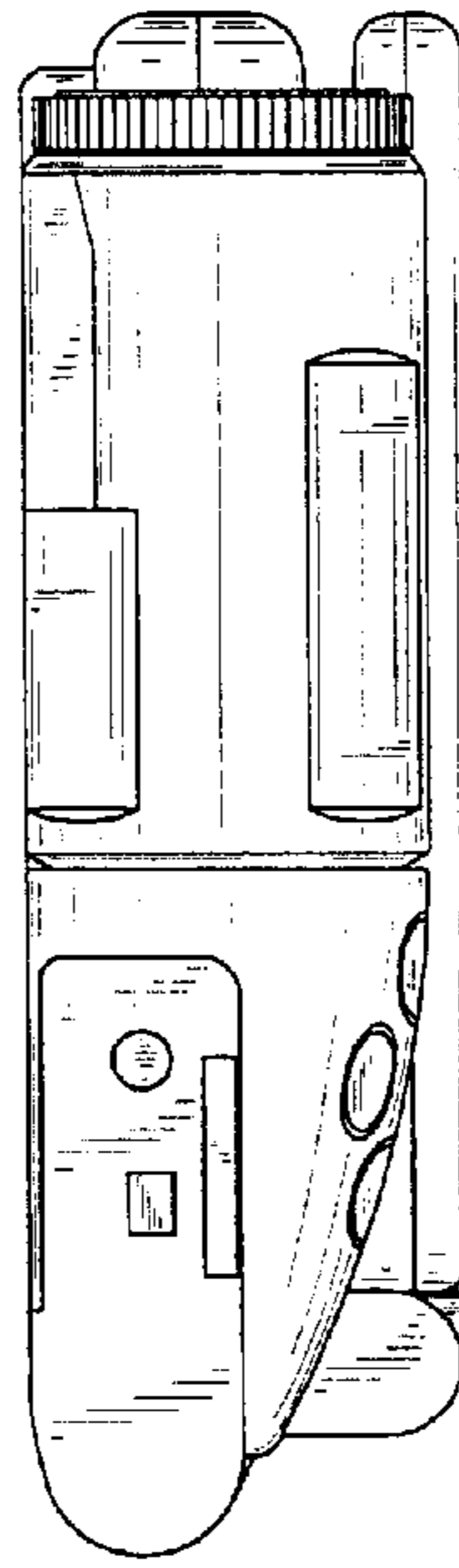


Fig. 4

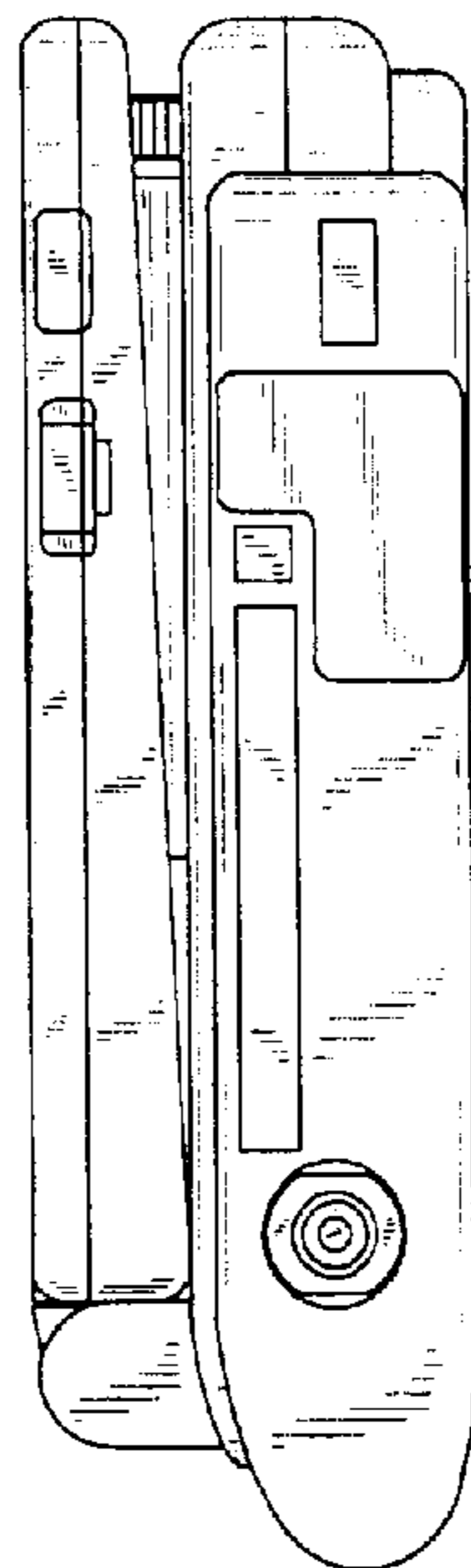


Fig. 5

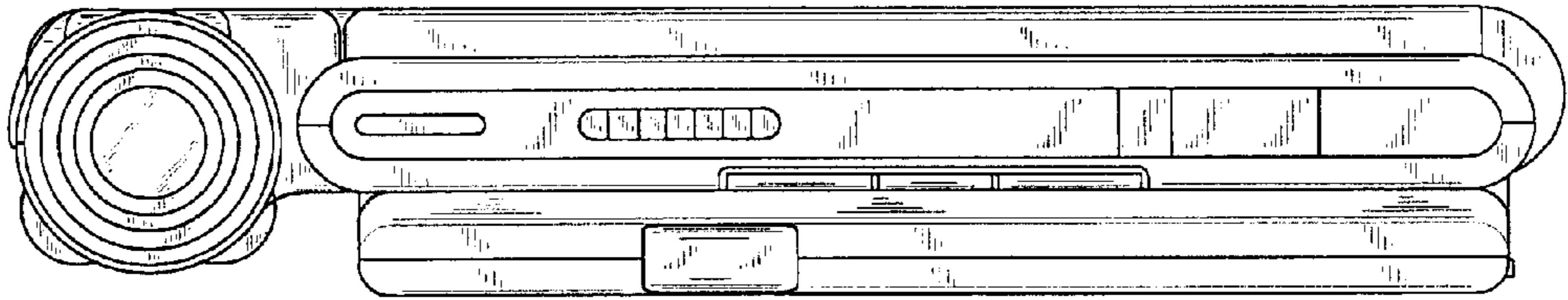


Fig. 6

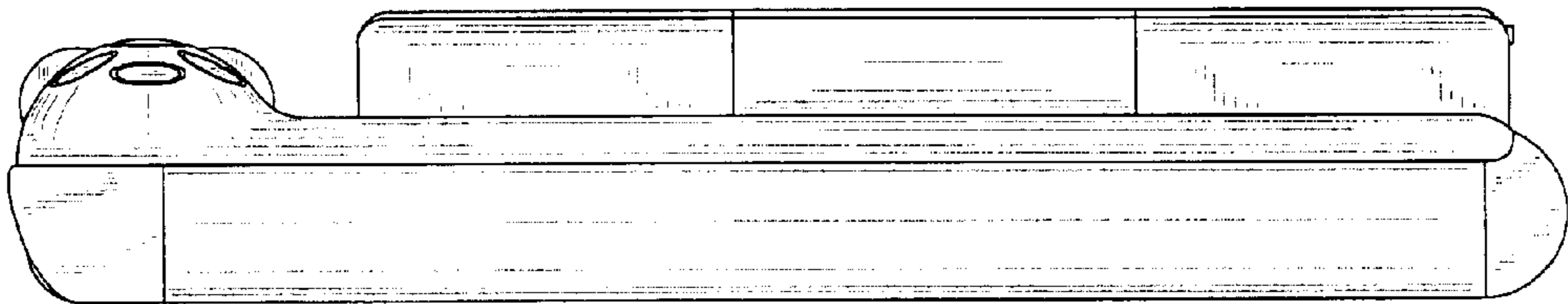


Fig. 7

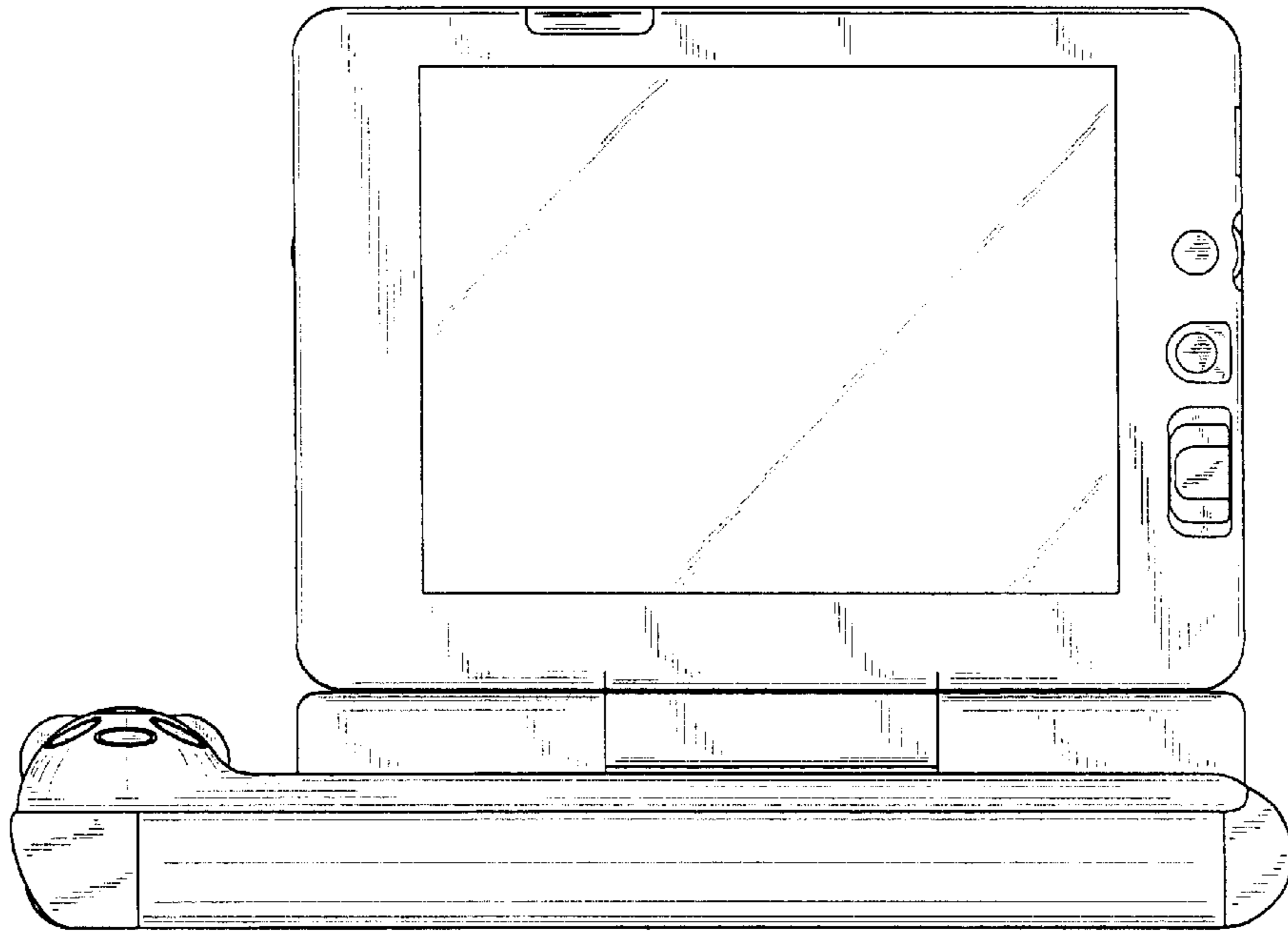


Fig. 8

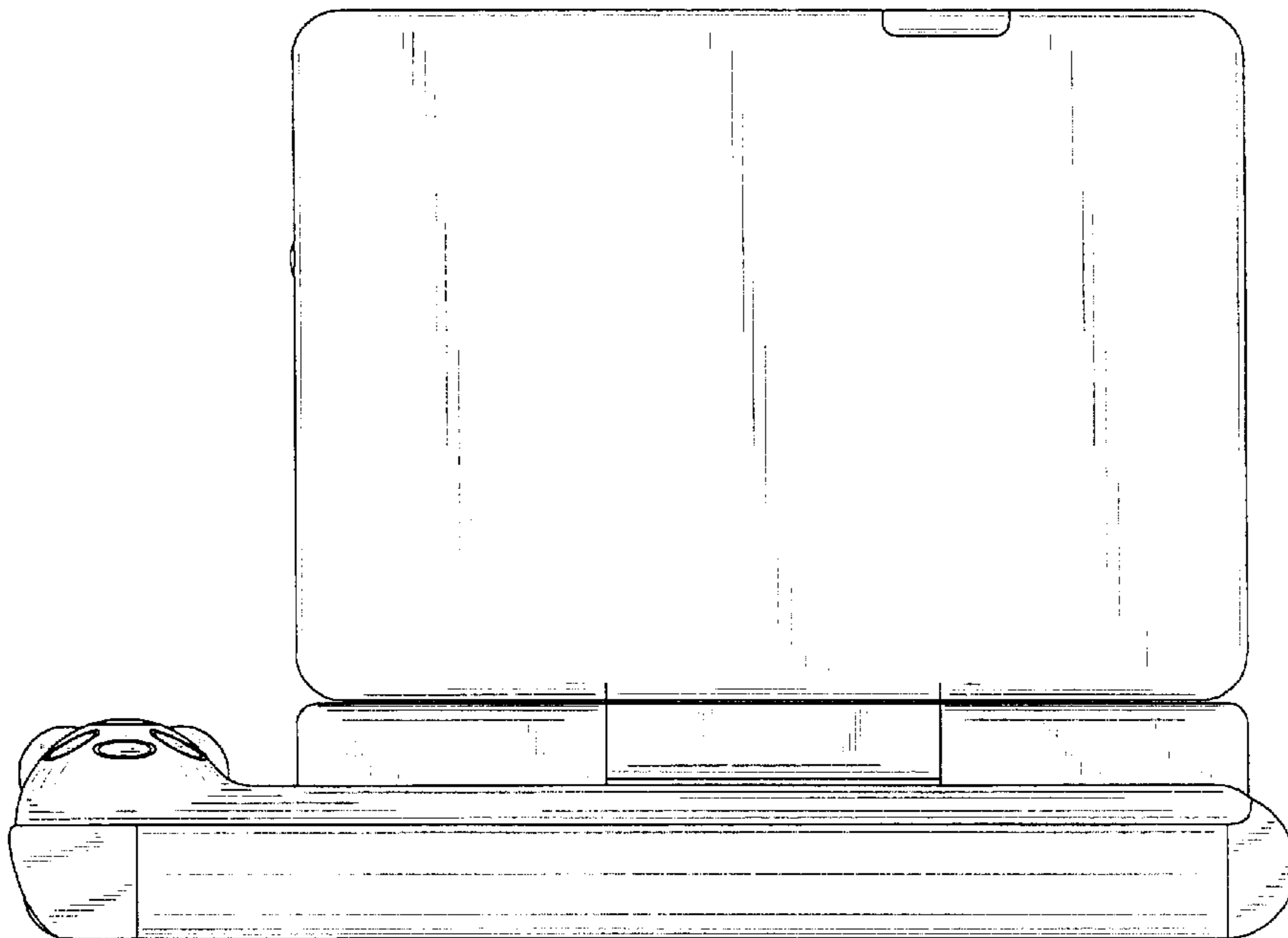


Fig. 11

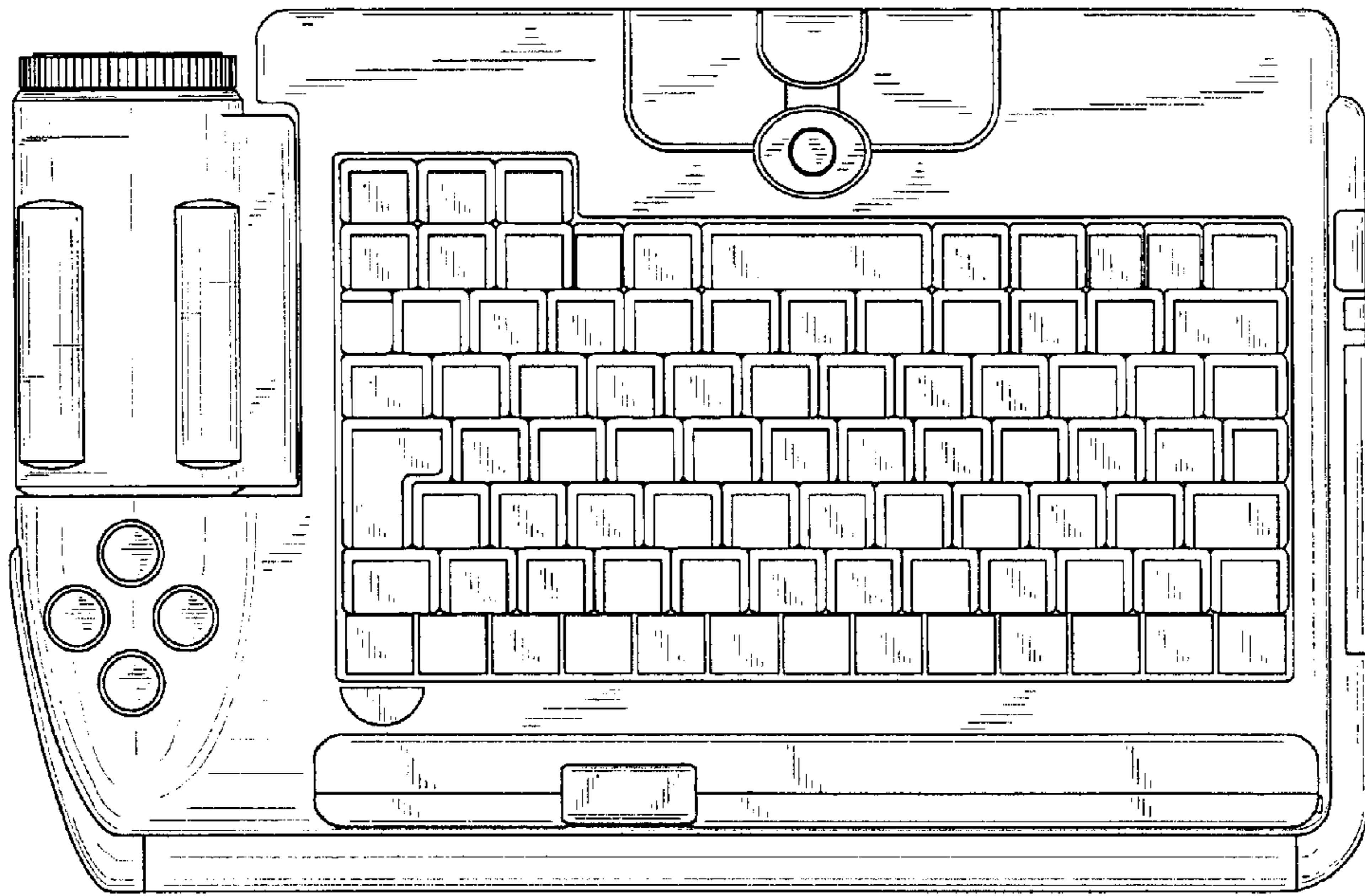


Fig. 9

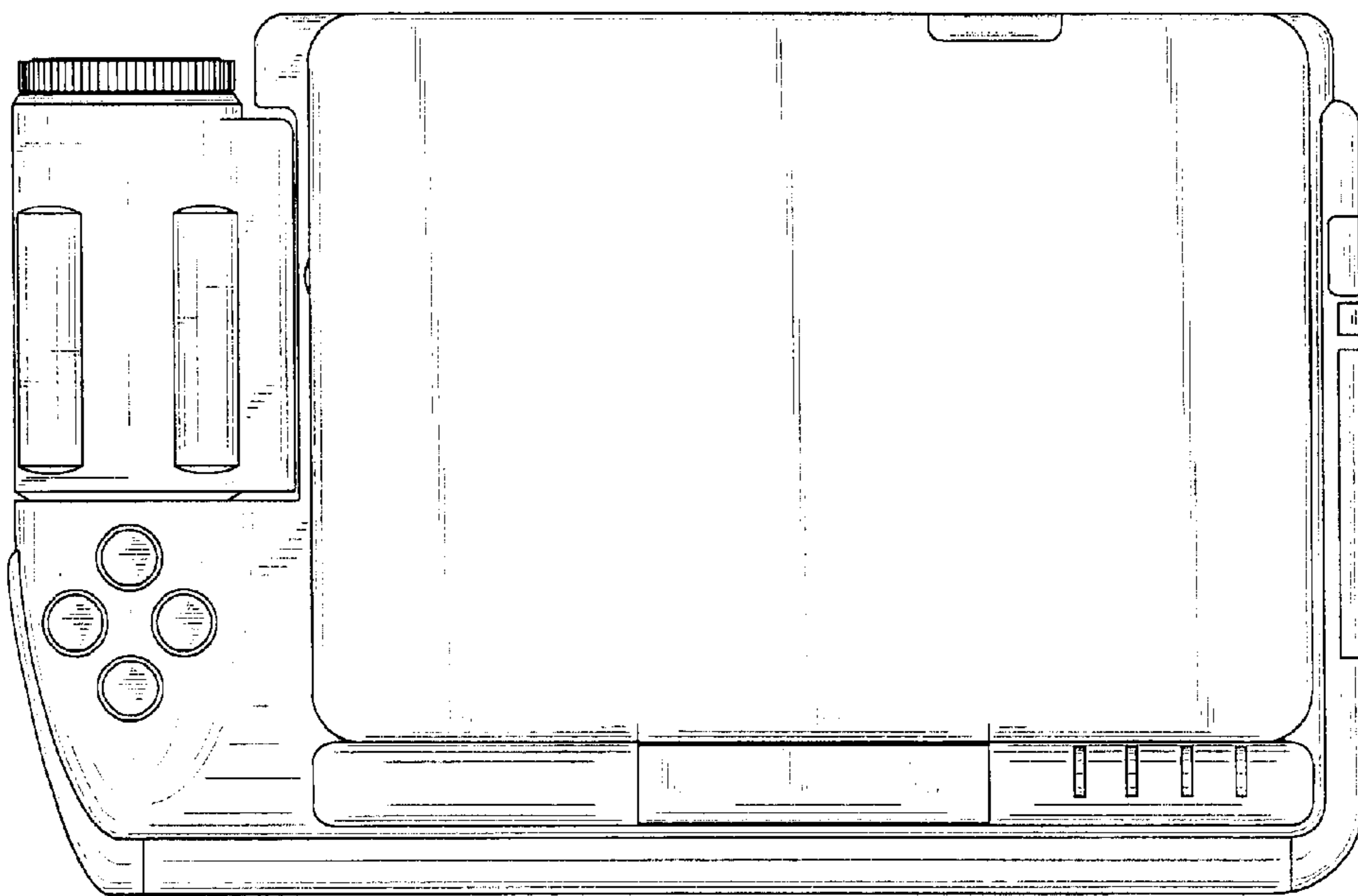


Fig. 13

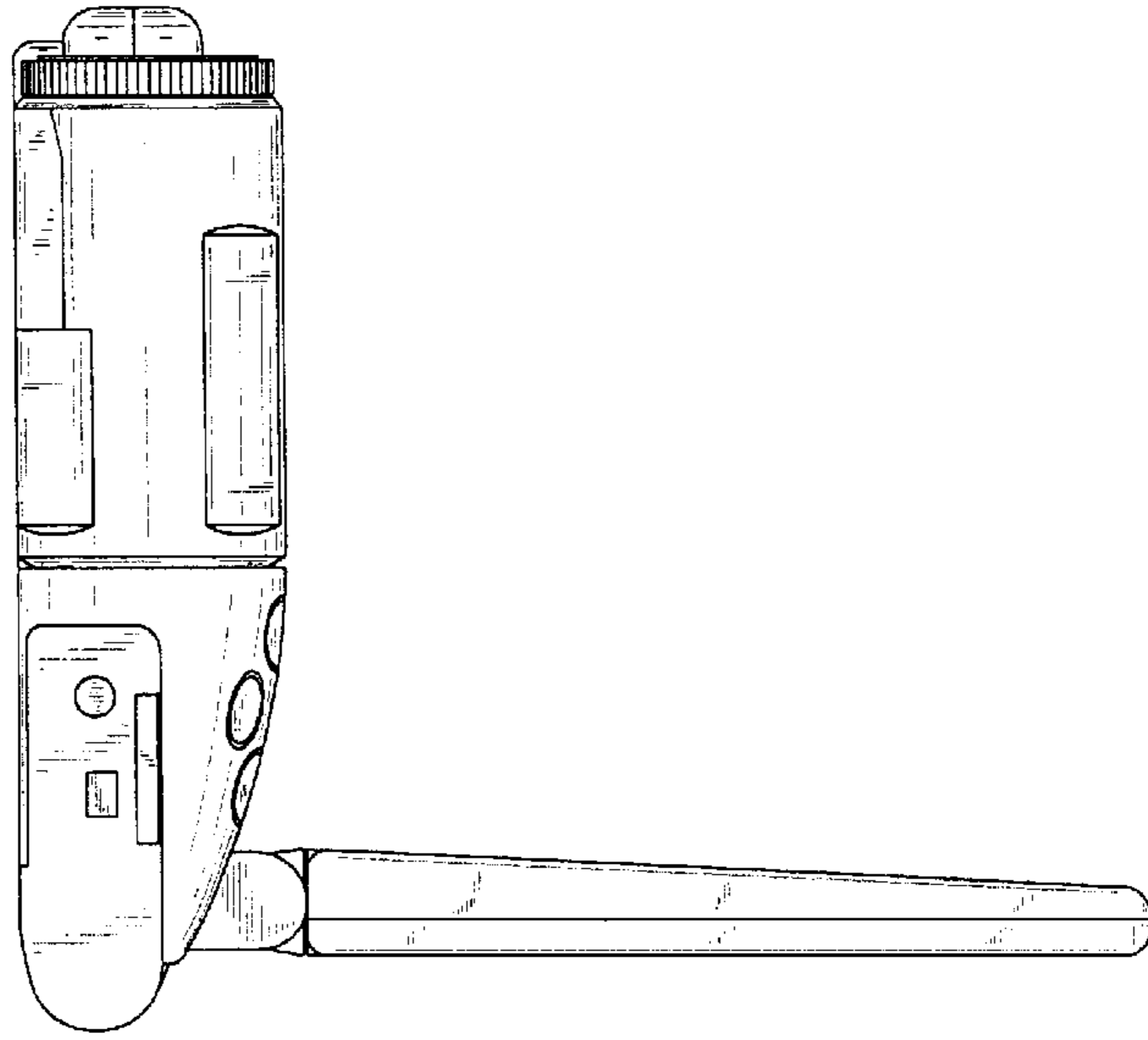


Fig. 10

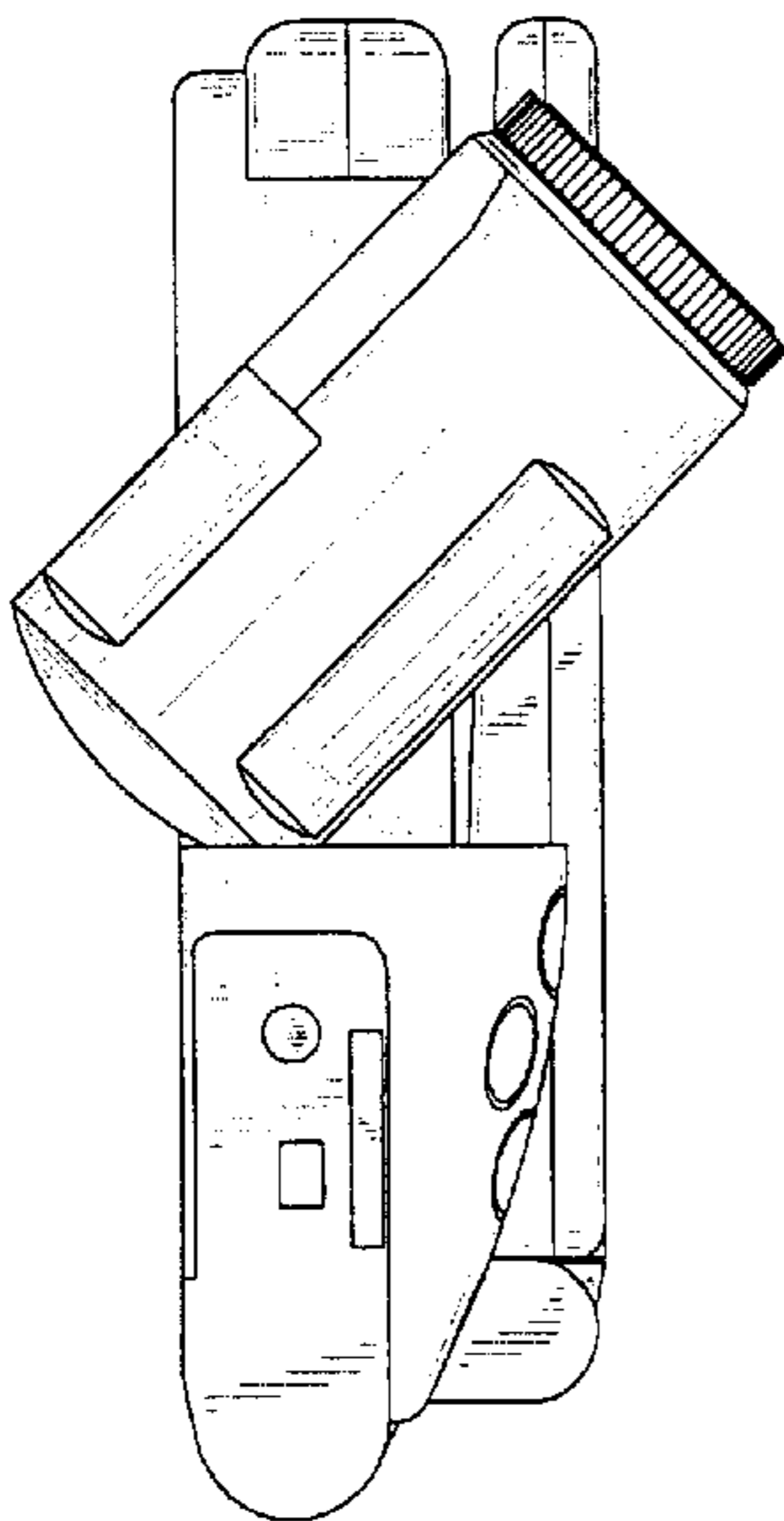


Fig. 14

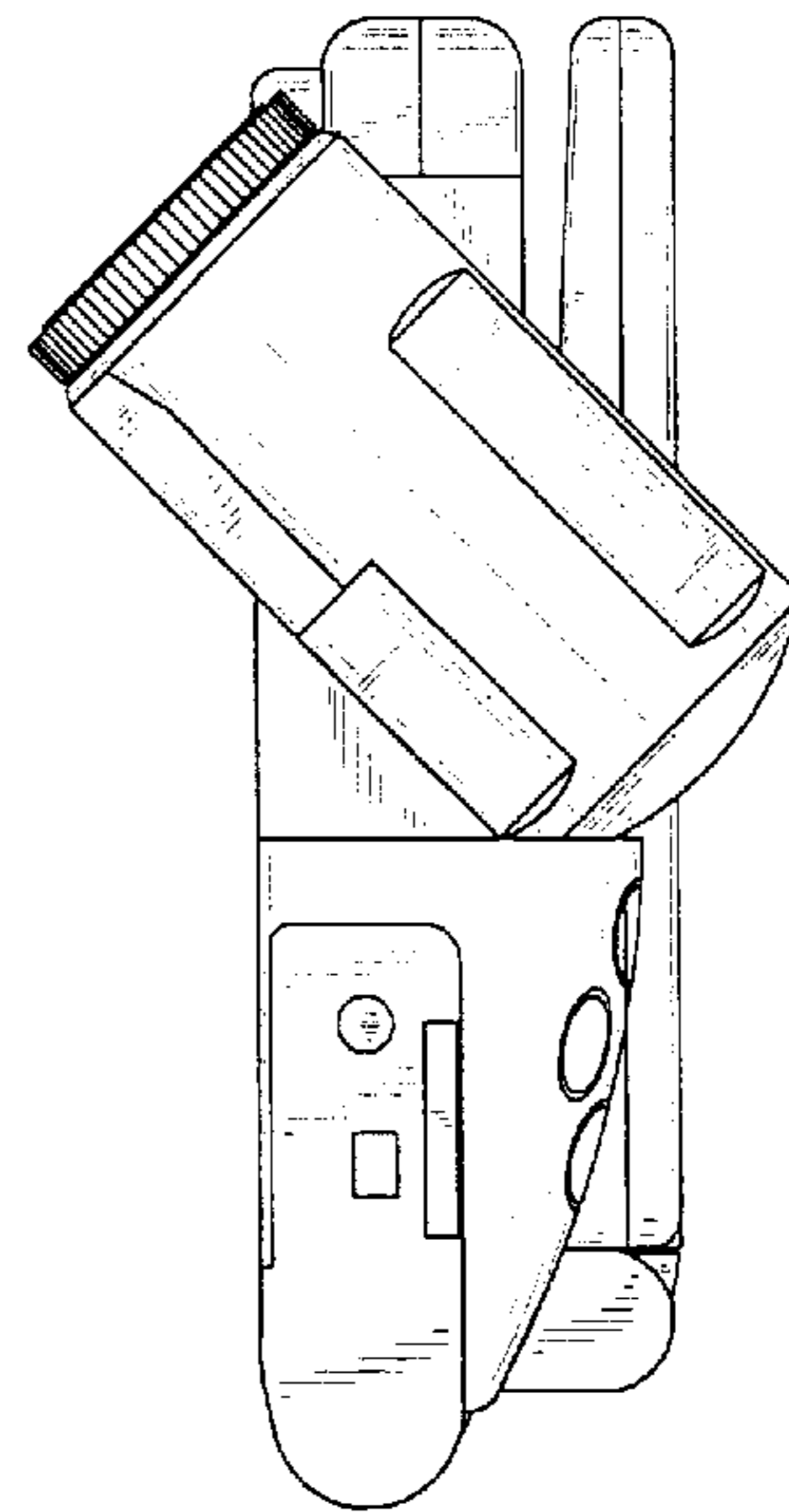


Fig. 15

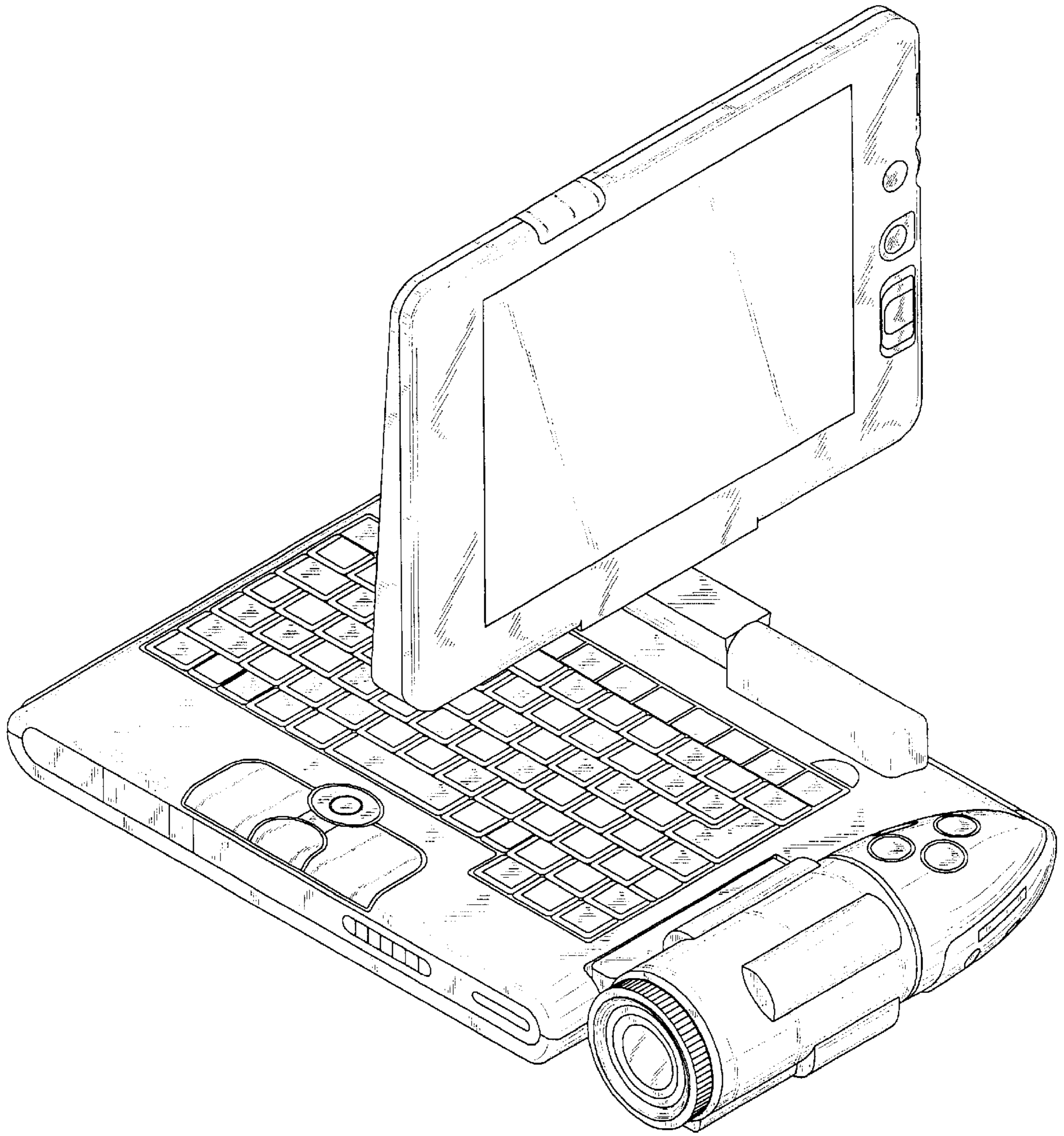


Fig. 12