



US00D462952S

(12) **United States Design Patent**  
**Anderson et al.**

(10) **Patent No.:** **US D462,952 S**

(45) **Date of Patent:** **\*\* Sep. 17, 2002**

(54) **TRANSMITTER APPARATUS**

(75) Inventors: **Marlyn J. Anderson**, St. Louis Park, MN (US); **Barry Voroba**, Minnetonka, MN (US)

(73) Assignee: **Voice and Wireless Corporation**, St. Louis Park, MN (US)

(\*\*) Term: **14 Years**

(21) Appl. No.: **29/139,632**

(22) Filed: **Apr. 3, 2001**

(51) **LOC (7) Cl.** ..... **14-99**

(52) **U.S. Cl.** ..... **D14/299**

(58) **Field of Search** ..... D14/137, 138, D14/147, 155, 159, 167, 188, 192-198, 257, 299; 455/74.1, 56.1, 56.3, 69.92; 379/440, 441, 419, 428; 375/259, 258, 219, 312, 314; 359/113; 381/312, 321; 370/273

(56) **References Cited**

**U.S. PATENT DOCUMENTS**

D167,828 S	*	9/1952	Floral	.....	D14/194
D276,158 S	*	10/1984	Lee et al.	.....	D14/192
5,568,516 A		10/1996	Strohallen et al.		
5,615,229 A		3/1997	Sharma et al.		
5,636,264 A		6/1997	Sulavuori et al.		
5,774,791 A		6/1998	Strohallen et al.		
D398,605 S	*	9/1998	Murray et al.	.....	D14/137
5,812,598 A		9/1998	Sharma et al.		
5,881,149 A		3/1999	Weatherill		
5,966,643 A		10/1999	Radley		
D441,743 S	*	5/2001	Uehara	.....	D14/240
D445,776 S	*	7/2001	Ishii et al.	.....	D14/167

**OTHER PUBLICATIONS**

Kenwood Communications "SpyLab—The Over the Counter Spy Shop," [online; retrieved on Mar. 8, 2000]. From Internet URL: <http://www.spylab.com/twowayradios.htm>, 3 pages.

5M Technology H.K. "MG9901—Introducing the most advance Hands-Free system for Automobile," [online; retrieved on Mar. 8, 2000]. From Internet URL: <http://5mhk.com/MG9001.htm>, 2 pages.

Soloring.com, Inc., Garden Grove, CA, "What is wireless handsfree soloring?" [online; accessed on Oct. 30, 2000]. From Internet URL: <www.soloring.com>, 15 pages.

Soloring.com, Inc., Garden Grove, CA, "Meet the latest concept of wireless handfree" advertisement brochure, undated, 2 pages.

\* cited by examiner

*Primary Examiner*—Paula A. Mortimer

(74) *Attorney, Agent, or Firm*—Mueting, Raasch & Gebhardt, P.A.

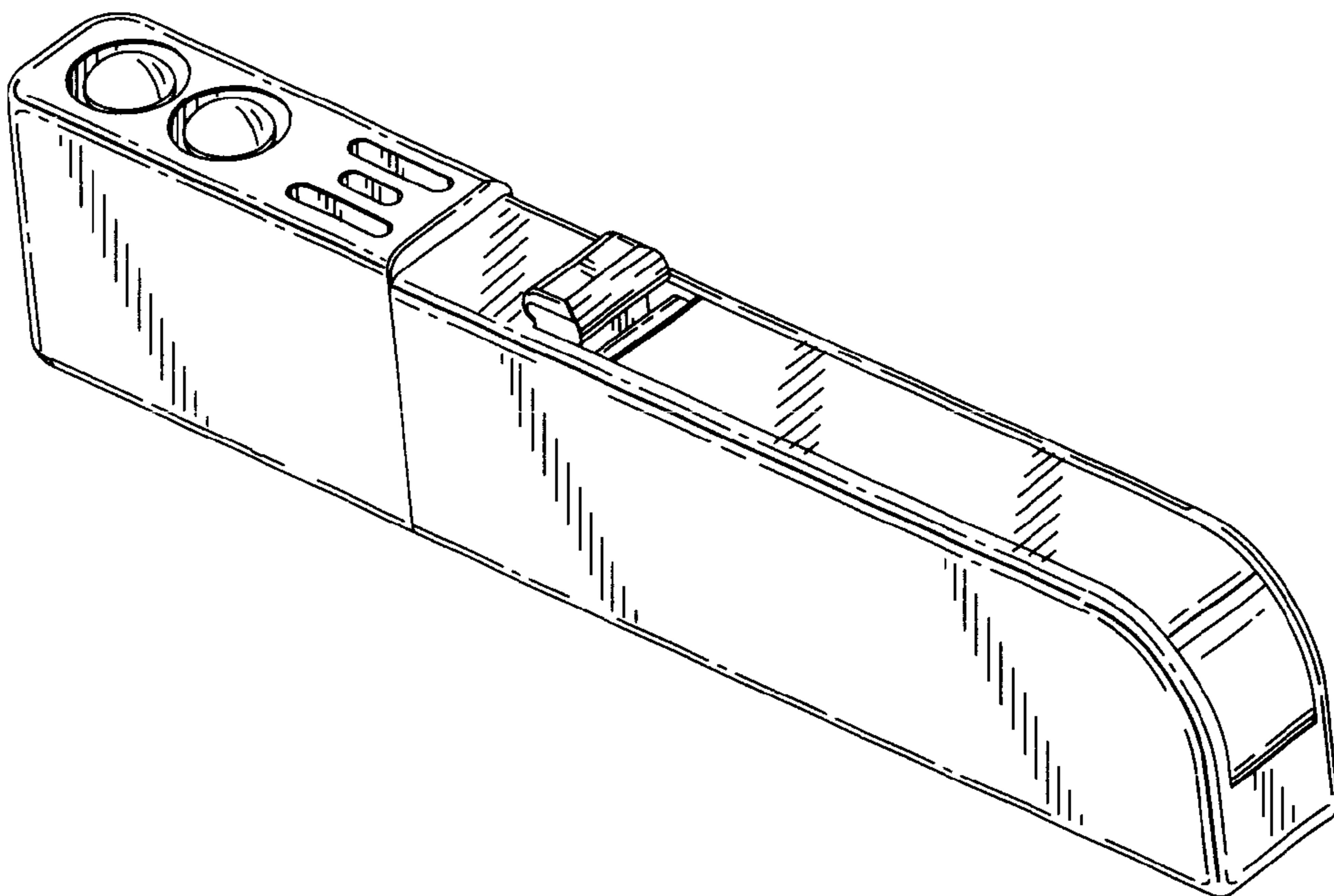
(57) **CLAIM**

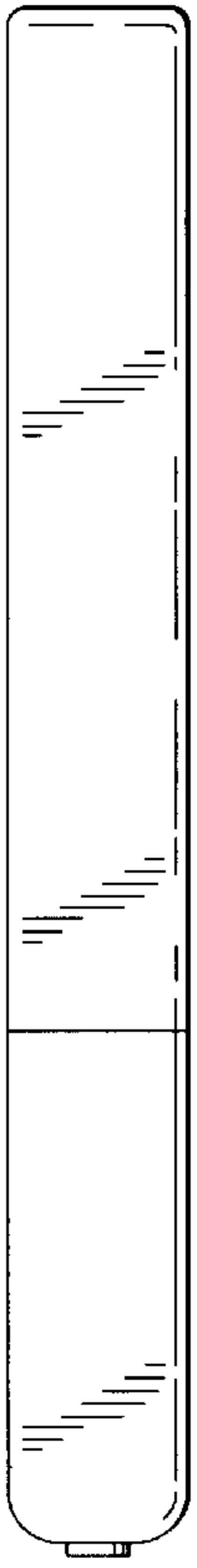
The ornamental design for a transmitter apparatus, as shown and described.

**DESCRIPTION**

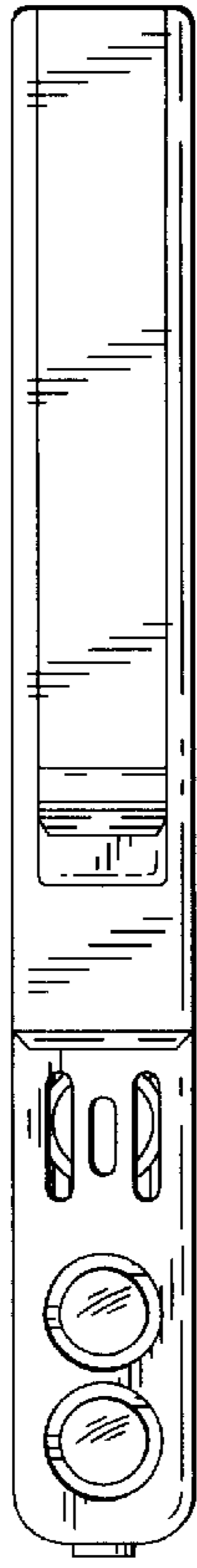
FIG. 1 is a perspective view of a transmitter apparatus showing the new design;  
FIG. 2 is a side view thereof;  
FIG. 3 is a front end view thereof;  
FIG. 4 is a rear end view thereof;  
FIG. 5 is a bottom plan view thereof; and,  
FIG. 6 is a top plan view thereof.

**1 Claim, 1 Drawing Sheet**

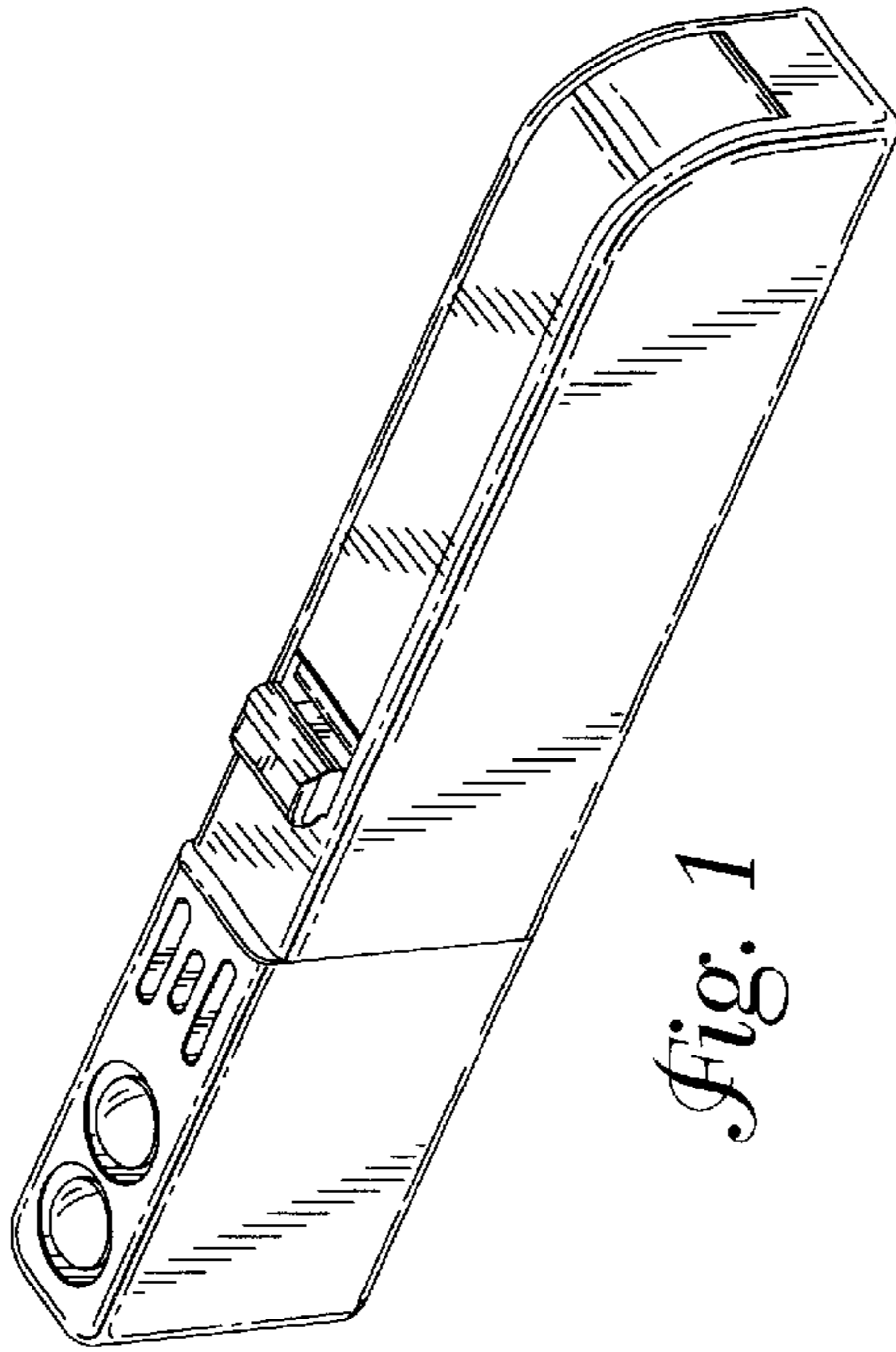




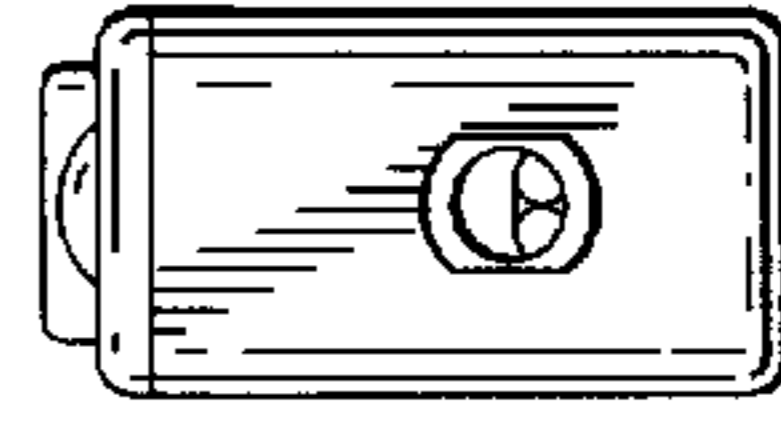
*Fig. 5*



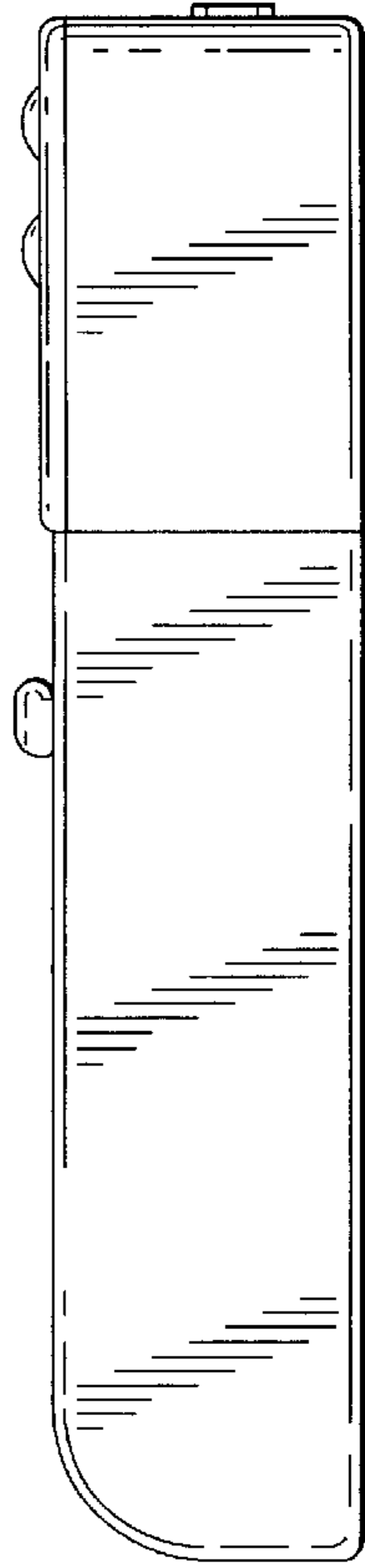
*Fig. 6*



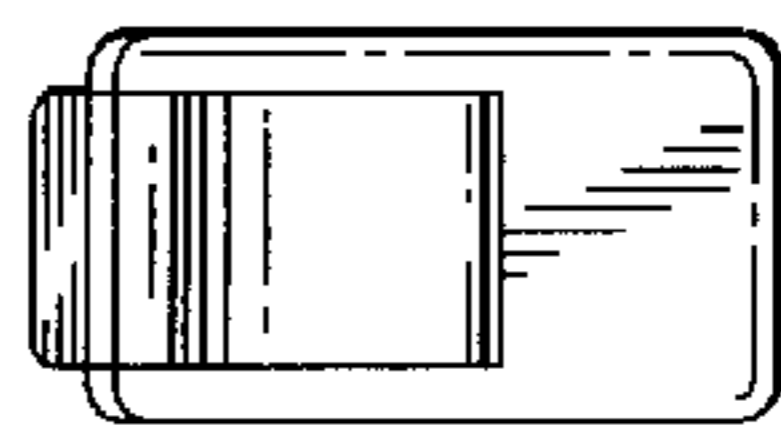
*Fig. 1*



*Fig. 4*



*Fig. 2*



*Fig. 3*