



US00D462951S

(12) **United States Design Patent**  
**Storti et al.**

(10) **Patent No.:** **US D462,951 S**

(45) **Date of Patent:** **\*\* Sep. 17, 2002**

(54) **FACEPLATE**

D394,017 S \* 5/1998 Liao et al. .... D14/258  
5,862,468 A \* 1/1999 Kim ..... 455/347

(75) Inventors: **William J. Storti**, Haverford, PA (US);  
**Dwight Sakuma**, Doylestown, PA (US);  
**Paul Ocepek**, Norfolk, MA (US); **John Hausman**, San Diego, CA (US); **Bryan Zublin**, Poway, CA (US); **Greg McDonald**, San Diego, CA (US); **Paul Baker**, San Diego, CA (US); **Richard Patrick Rementilla**, San Diego, CA (US)

\* cited by examiner

*Primary Examiner*—Nanda Bondade  
(74) *Attorney, Agent, or Firm*—Volpe and Koenig, P.C.

(73) Assignee: **General Instrument Corporation**,  
Horsham, PA (US)

(\*\*) Term: **14 Years**

(21) Appl. No.: **29/147,612**

(22) Filed: **Aug. 31, 2001**

(51) **LOC (7) Cl.** ..... **14-01**

(52) **U.S. Cl.** ..... **D14/257**

(58) **Field of Search** ..... D14/135–136,  
D14/156–157, 167–168, 188, 197–198,  
257–258; 369/75.1, 75.2, 77.1, 77.2; 455/344,  
347, 350–351

(56) **References Cited**

**U.S. PATENT DOCUMENTS**

D365,568 S \* 12/1995 Tokiyama ..... D14/258

(57) **CLAIM**

The ornamental design for a faceplate, as shown and described.

**DESCRIPTION**

FIG. 1 is a perspective view of a faceplate according to our new design;

FIG. 2 is a top plan view of the faceplate of FIG. 1;

FIG. 3 is a left-side elevational view of the faceplate of FIG. 1;

FIG. 4 is a front elevational view of the faceplate of FIG. 1;

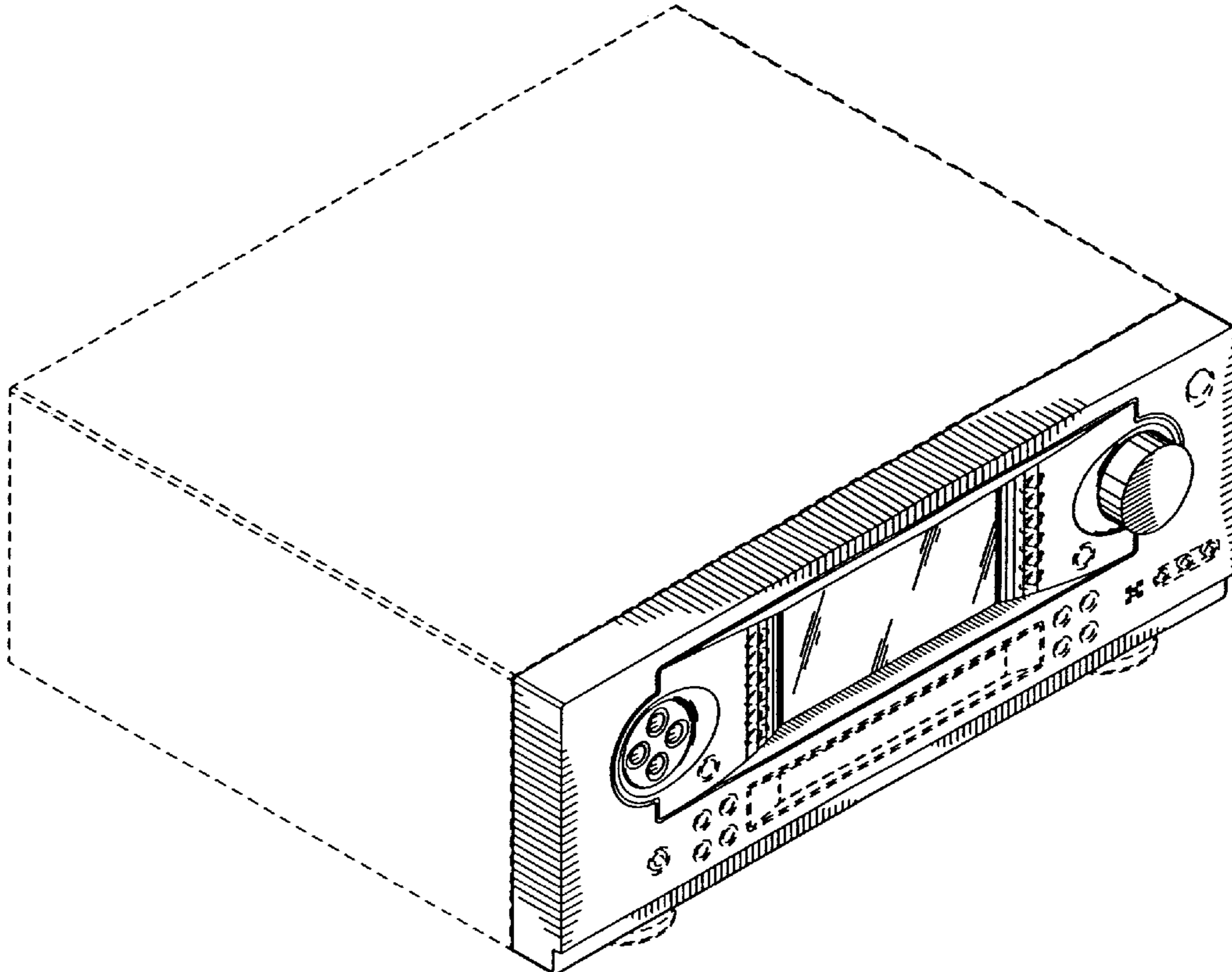
FIG. 5 is a rear elevational view of the faceplate of FIG. 1;

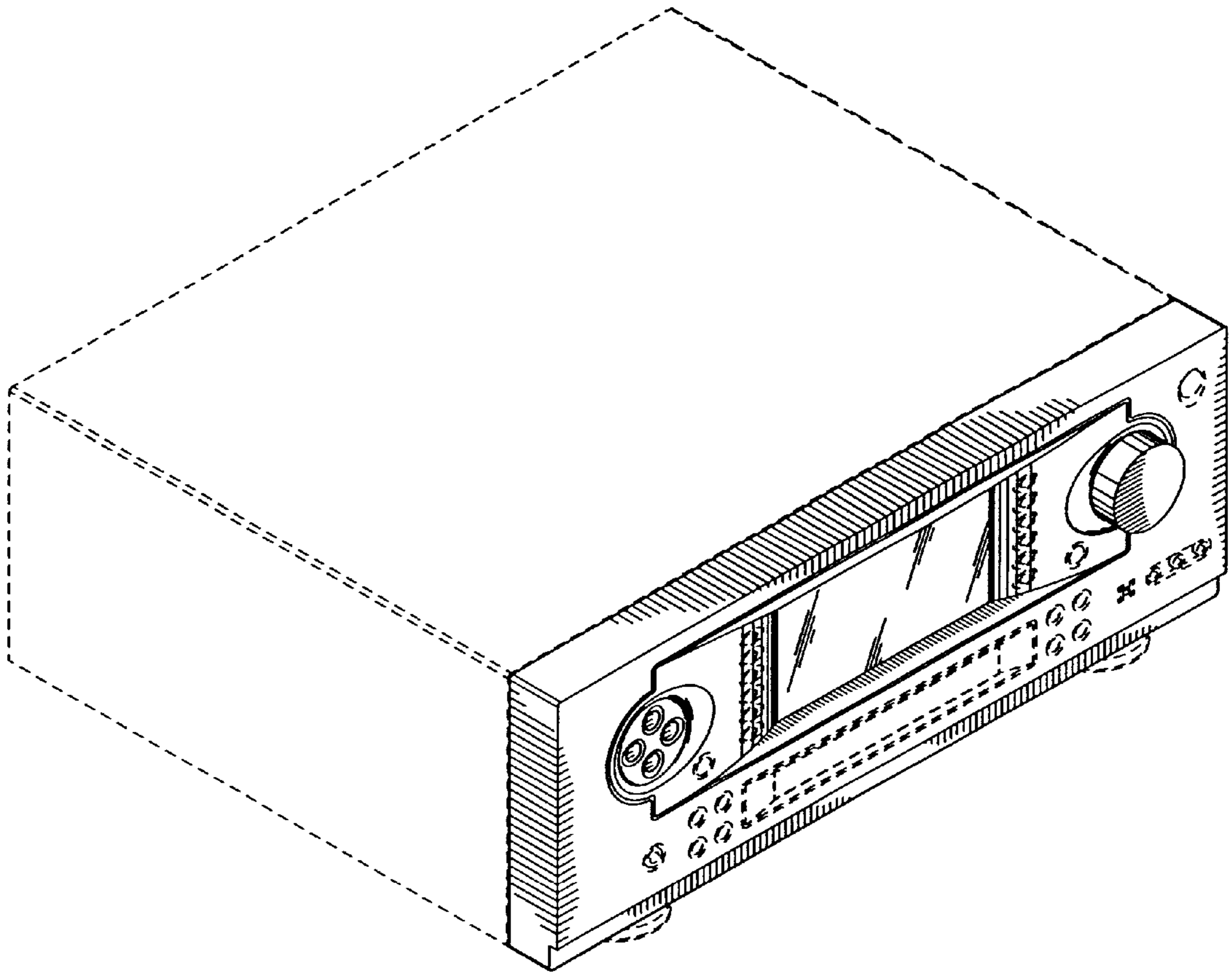
FIG. 6 is a bottom plan view of the faceplate of FIG. 1; and,

FIG. 7 is a right-side elevational view of the faceplate of FIG. 1.

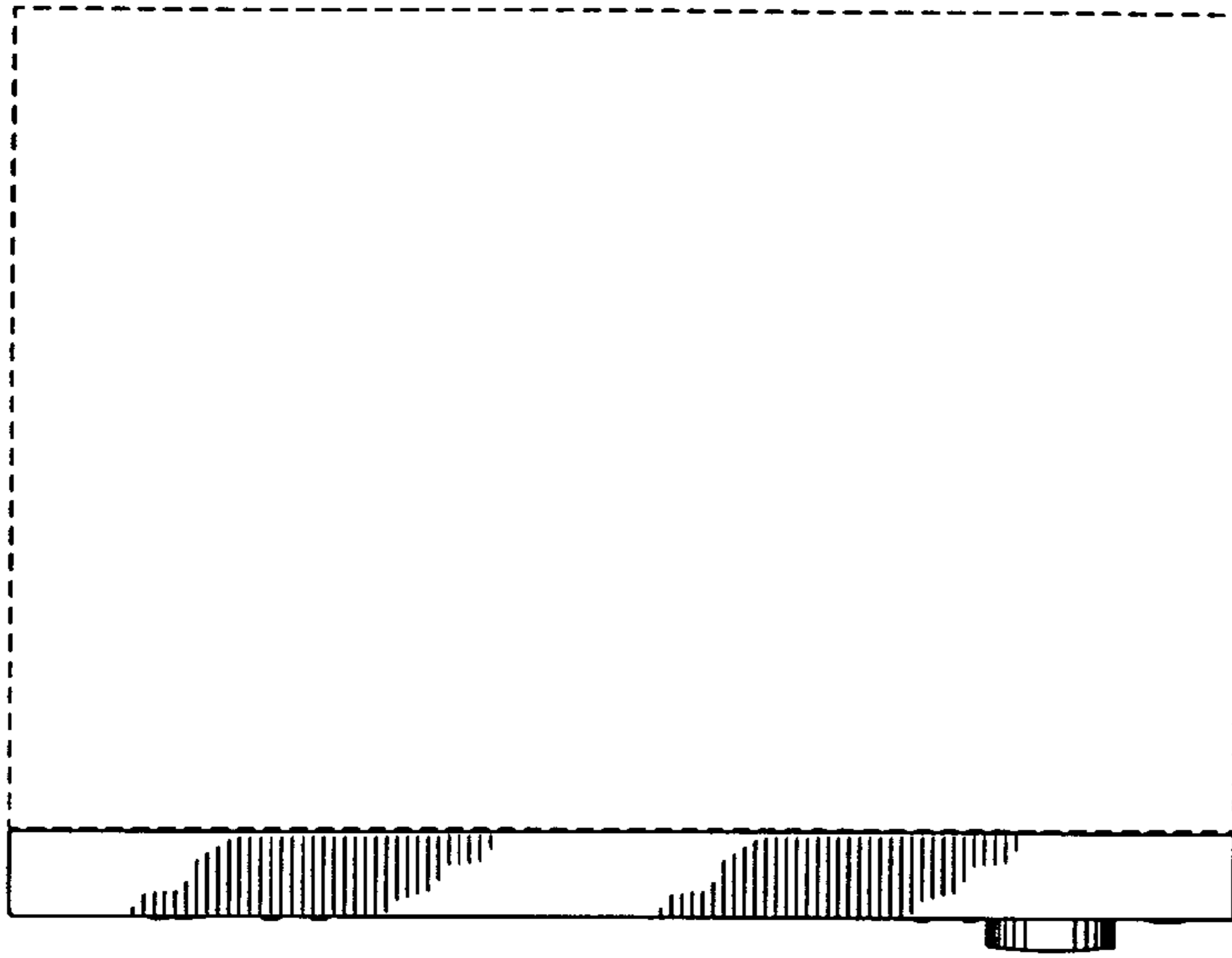
The broken line showing on FIGS. 1–7 is for illustrative purposes only and forms no part of the claimed design.

**1 Claim, 3 Drawing Sheets**

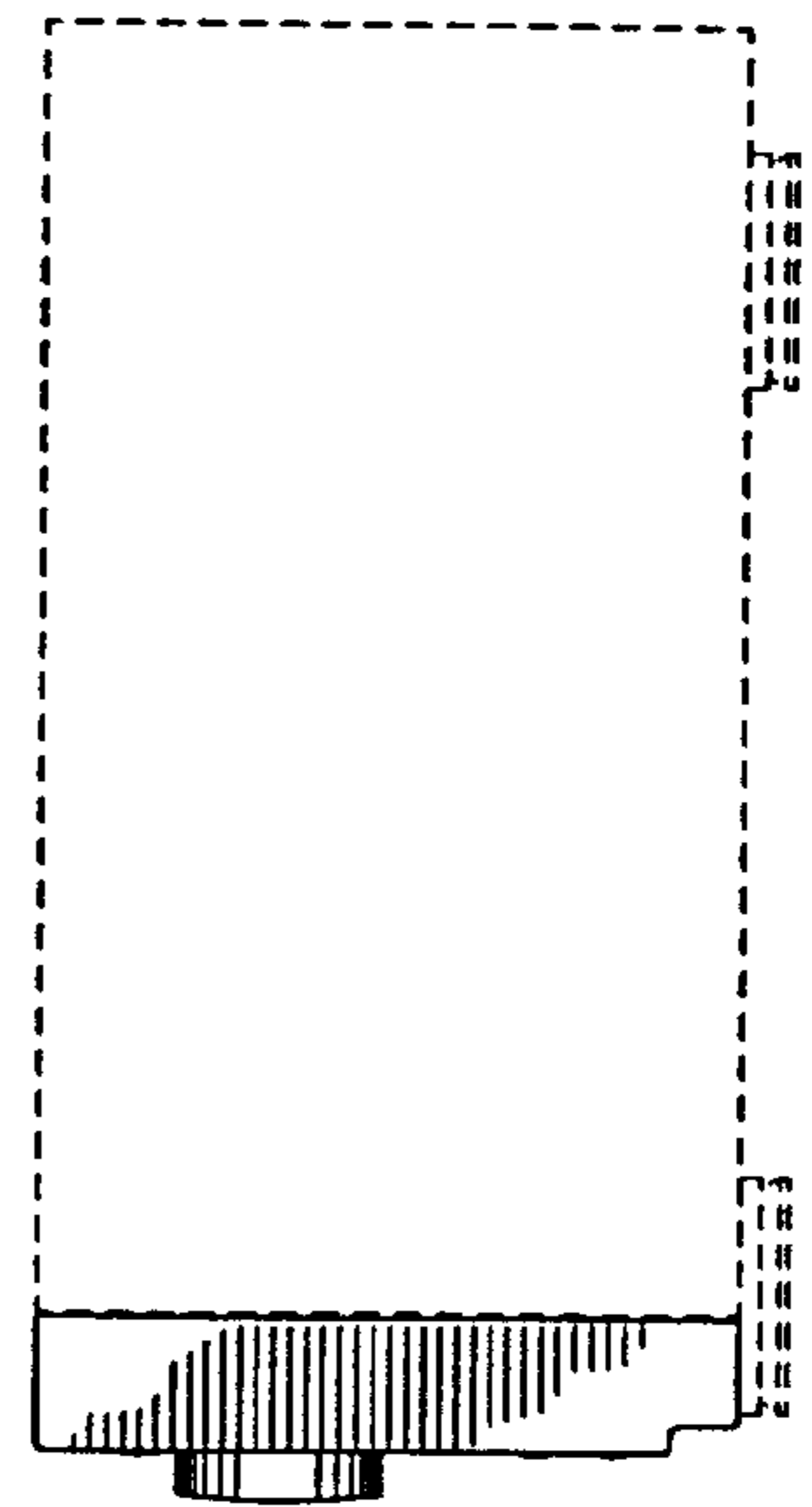




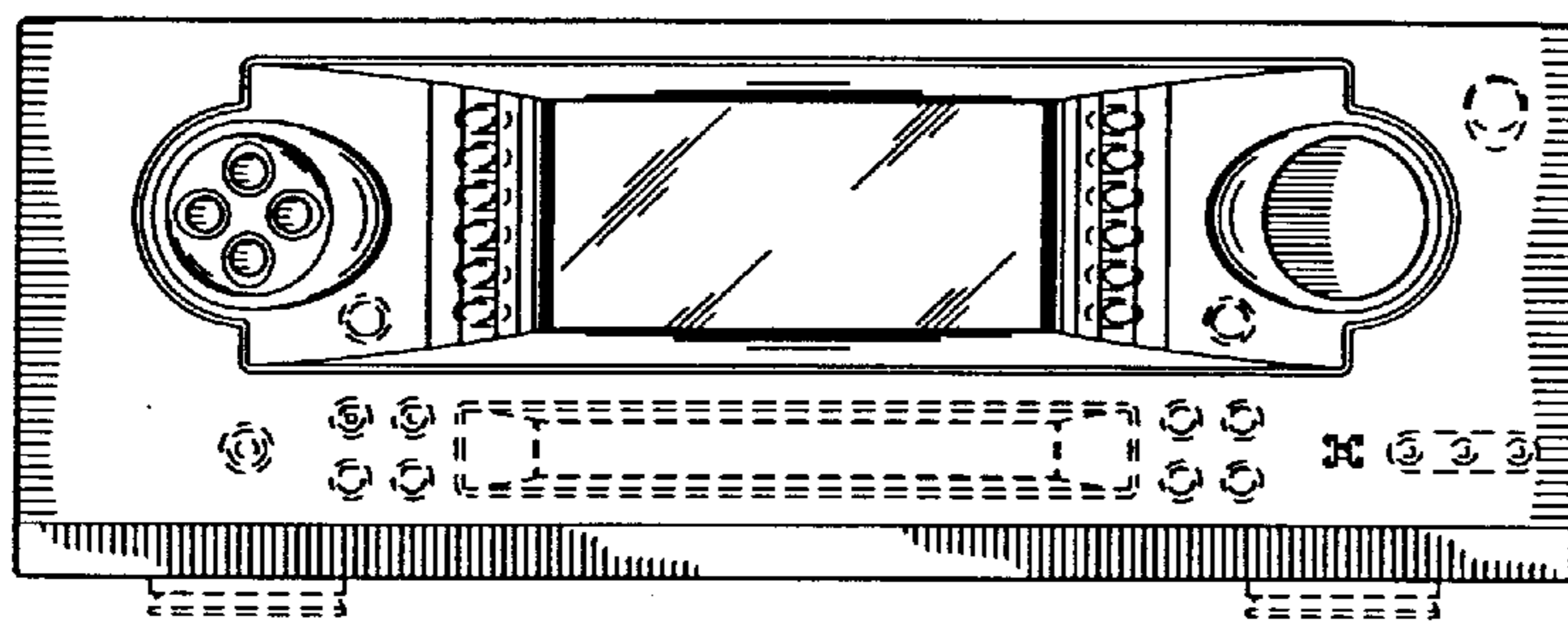
*FIG. 1*



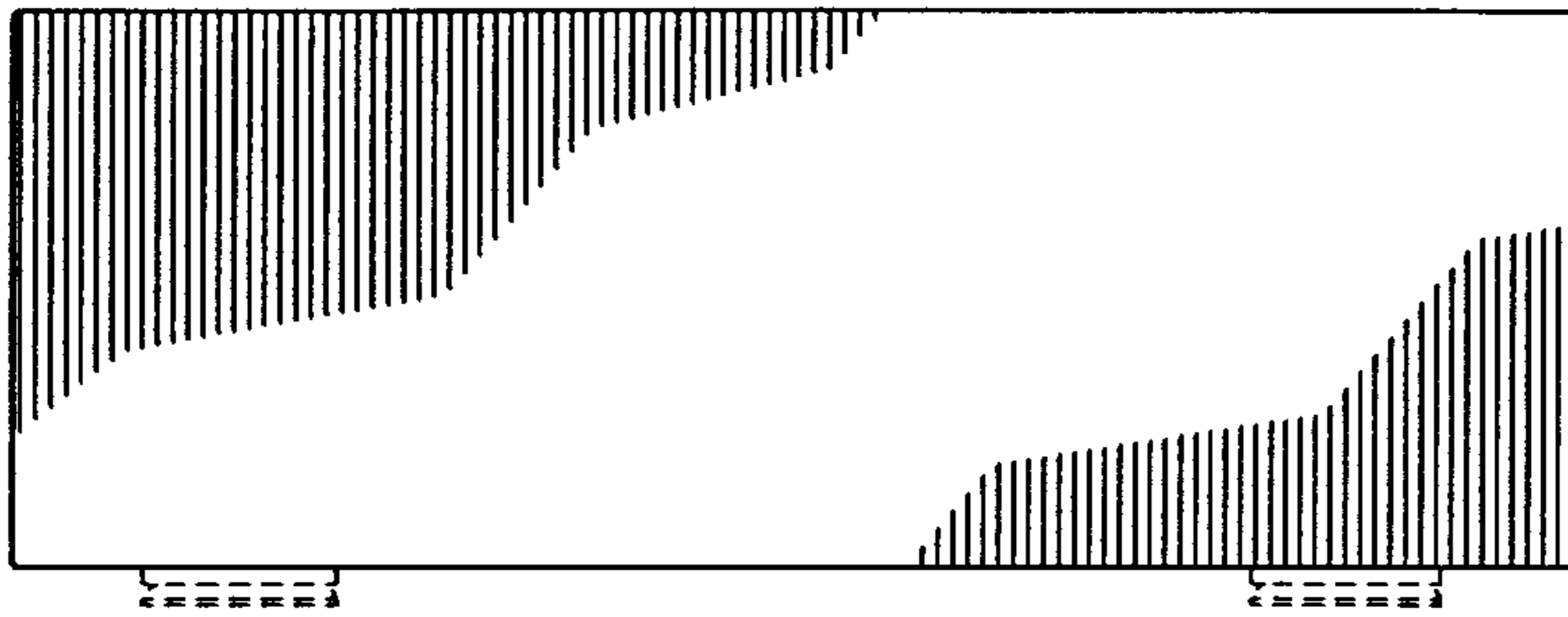
*FIG. 2*



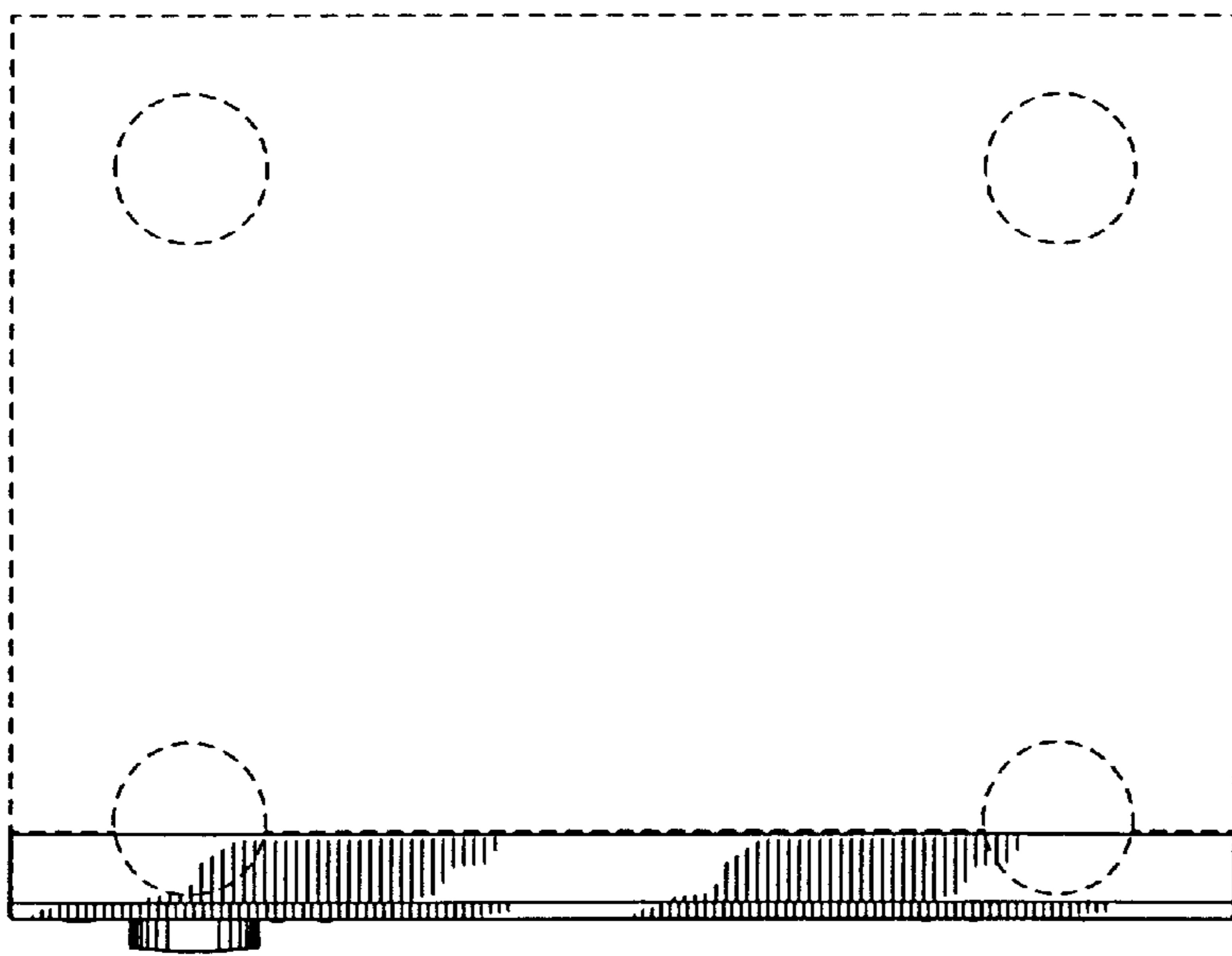
*FIG. 3*



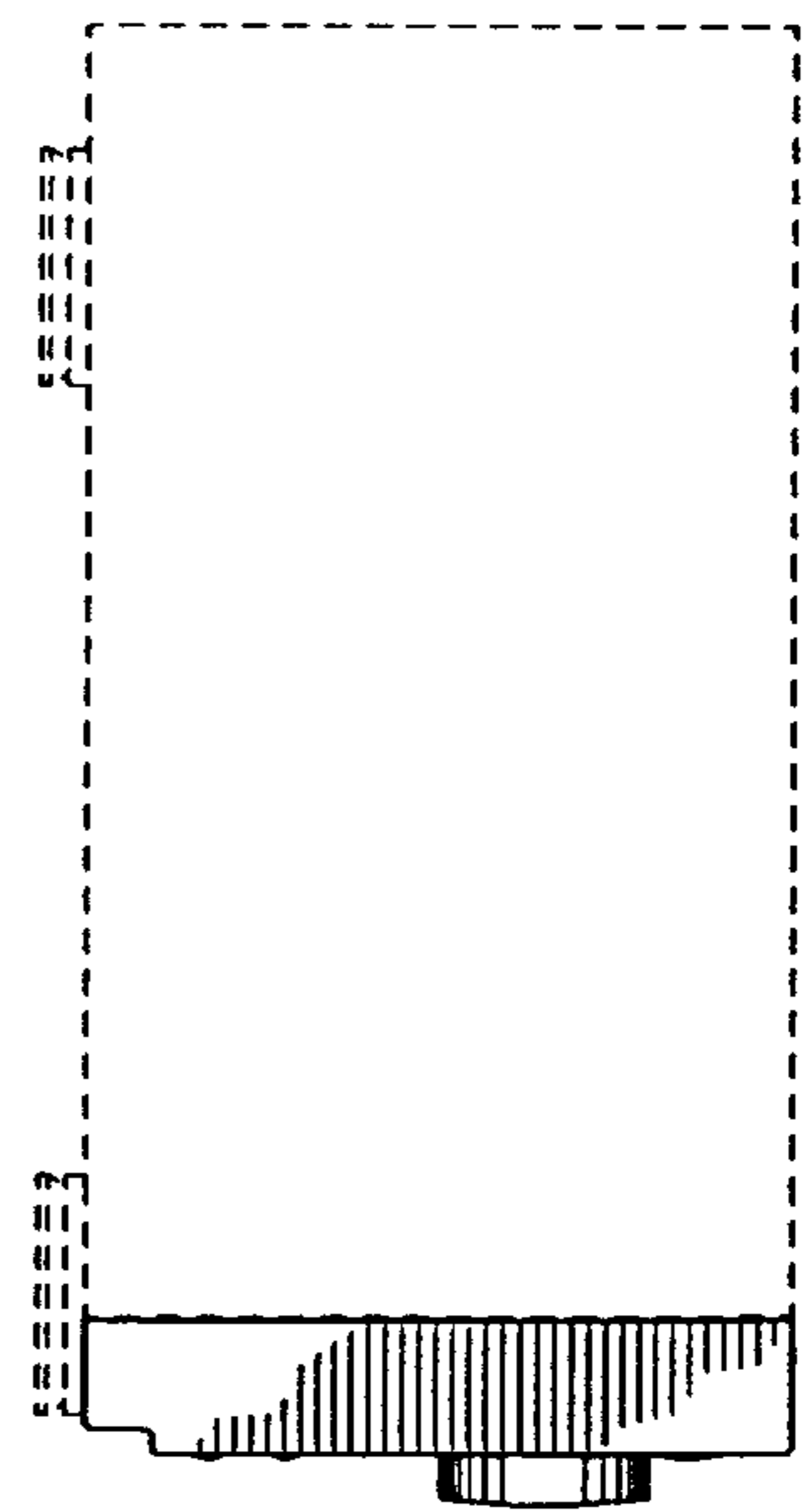
*FIG. 4*



*FIG. 5*



*FIG. 6*



*FIG. 7*