



US00D462949S

(12) **United States Design Patent**  
**Ichiyoshi**

(10) **Patent No.:** **US D462,949 S**

(45) **Date of Patent:** **\*\* Sep. 17, 2002**

(54) **OPTICAL WIRELESS COMMUNICATION APPARATUS**

(75) Inventor: **Hiroyuki Ichiyoshi, Yokohama (JP)**

(73) Assignee: **Canon Kabushiki Kaisha, Tokyo (JP)**

(\*\*) Term: **14 Years**

(21) Appl. No.: **29/140,378**

(22) Filed: **Apr. 18, 2001**

(30) **Foreign Application Priority Data**

Oct. 31, 2000 (JP) ..... 2000-031092

(51) **LOC (7) Cl.** ..... **14-03**

(52) **U.S. Cl.** ..... **D14/240**

(58) **Field of Search** ..... D14/137, 240,  
D14/138, 242, 308, 356, 357, 358, 311,  
313, 441, 144, 348-355, 370, 341-347,  
125, 432, 433, 155, 299, 257, 439, 140,  
188, 230, 241, 243, 245; 379/433.01-433.13,  
419, 434, 428.01-428.04, 420.01-420.04,  
440, 441, 442; 455/550-575, 90; D13/184,  
123, 152, 147, 110

(56) **References Cited**

**U.S. PATENT DOCUMENTS**

- D210,290 S \* 2/1968 Kigoshi ..... D14/157
- 3,472,586 A \* 10/1969 Zuili ..... 353/30
- D245,004 S \* 7/1977 Fox et al. .... D14/313
- D253,281 S \* 10/1979 Kim ..... D10/121
- D255,882 S \* 7/1980 Kim ..... D10/121
- D259,423 S \* 6/1981 Root et al. .... D14/137
- D264,691 S \* 6/1982 Volkland et al. .... D10/75

- D305,426 S \* 1/1990 Doi ..... D14/358
- D316,553 S \* 4/1991 Azima ..... D14/265
- D320,030 S \* 9/1991 Allen ..... D16/235
- D346,806 S \* 5/1994 Chong ..... D14/240
- D355,193 S \* 2/1995 Irby ..... D14/210
- D356,308 S \* 3/1995 Culbertson ..... D14/137
- D368,474 S \* 4/1996 Wise ..... D14/188
- D371,084 S \* 6/1996 Ogawa ..... D10/70
- D373,767 S \* 9/1996 Hinderks ..... D14/150
- D408,812 S \* 4/1999 Danis ..... D14/137
- D430,873 S \* 9/2000 Parker ..... D14/357
- D437,596 S \* 2/2001 Matsui et al. .... D14/358
- D448,315 S \* 9/2001 Ito ..... D10/70
- D454,343 S \* 3/2002 Hicks ..... D14/253
- D454,919 S \* 3/2002 Ashida ..... D21/332

\* cited by examiner

*Primary Examiner*—Jeffrey Asch

(74) *Attorney, Agent, or Firm*—Fitzpatrick, Cella, Harper & Scinto

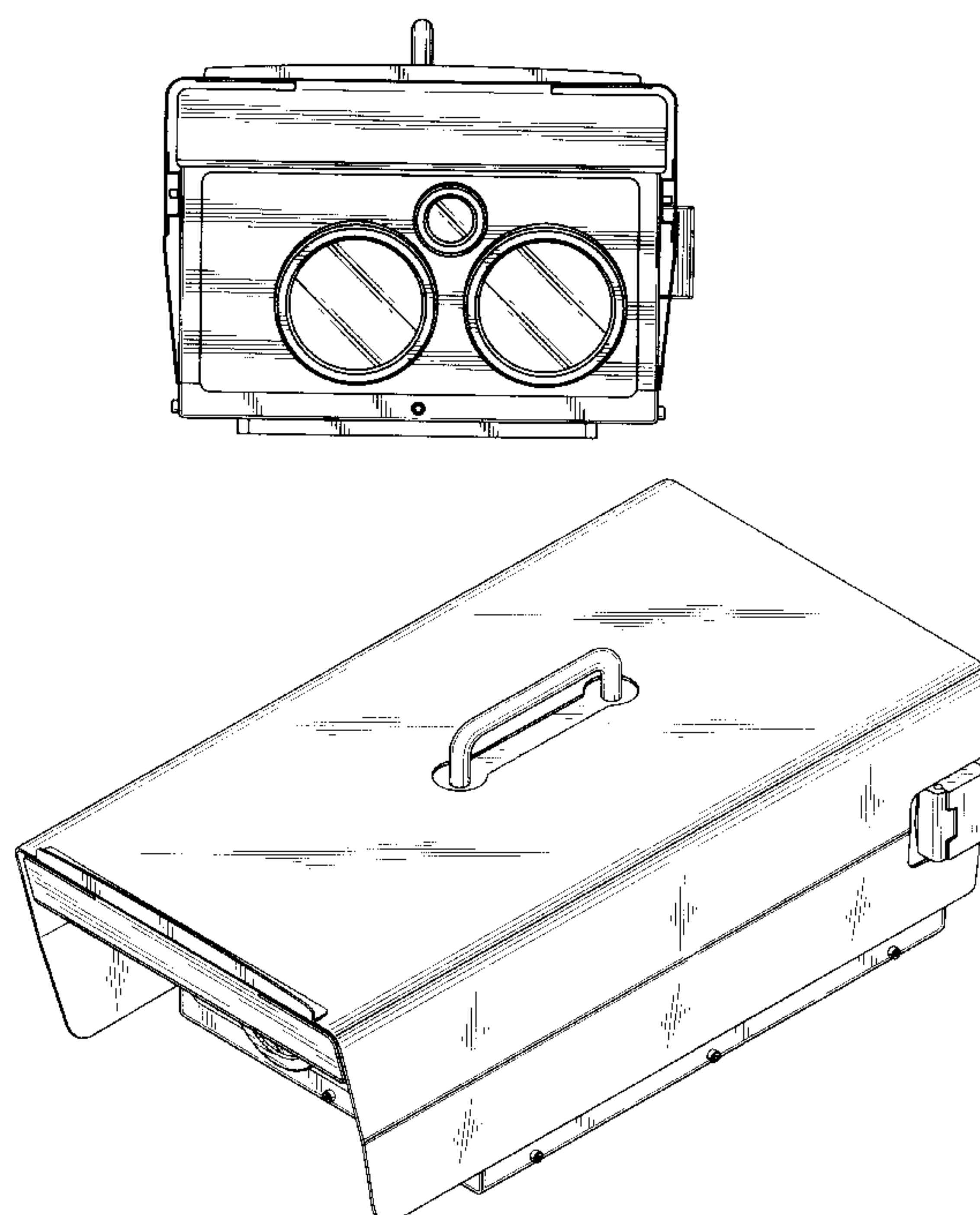
(57) **CLAIM**

The ornamental design for an optical wireless communication apparatus, as shown and described.

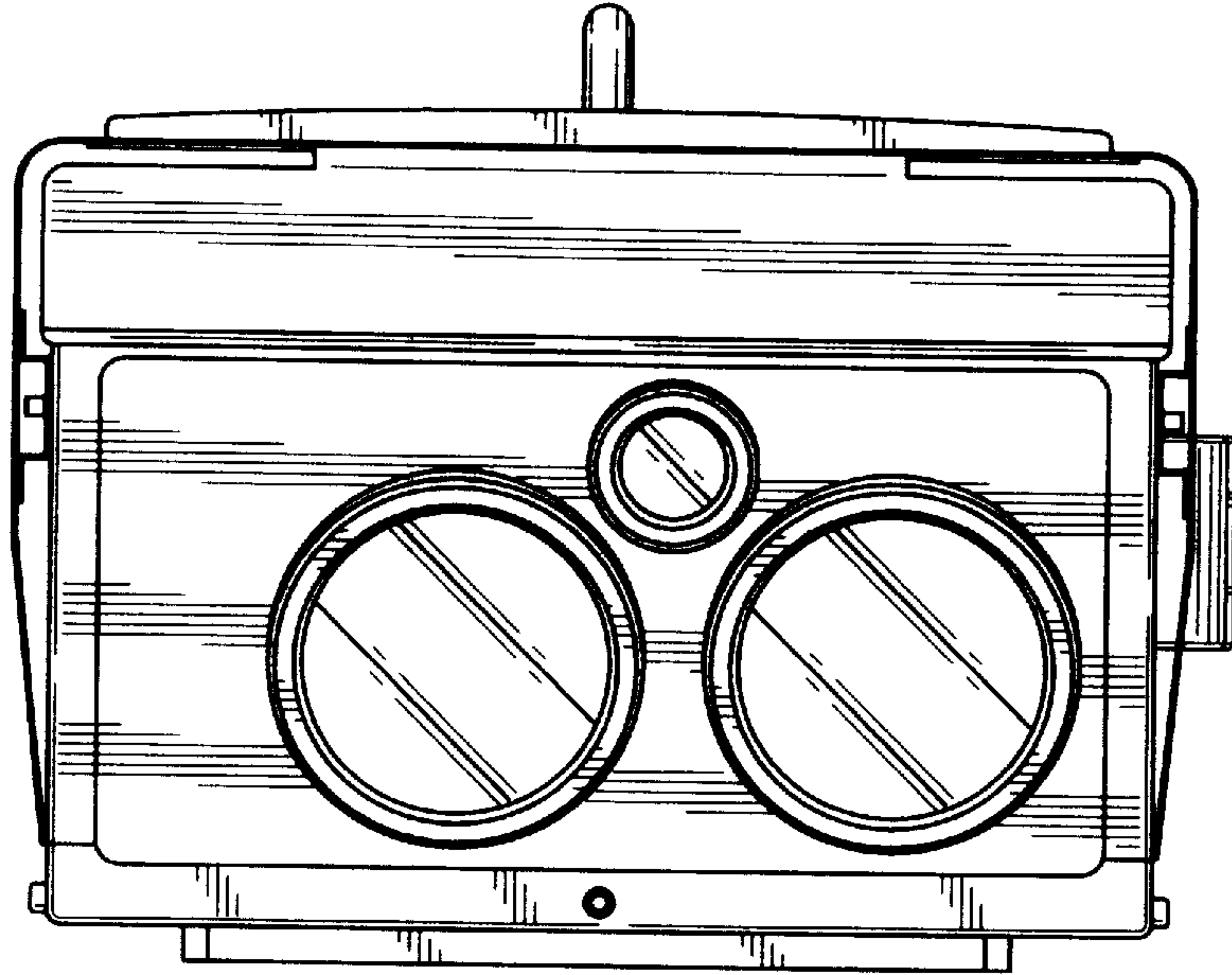
**DESCRIPTION**

FIG. 1 is a front view of an optical wireless communication apparatus showing my new design;  
 FIG. 2 is a rear view thereof;  
 FIG. 3 is a top plan view thereof;  
 FIG. 4 is a bottom plan view thereof;  
 FIG. 5 is a left side view thereof;  
 FIG. 6 is a right side view thereof; and,  
 FIG. 7 is a perspective view thereof.

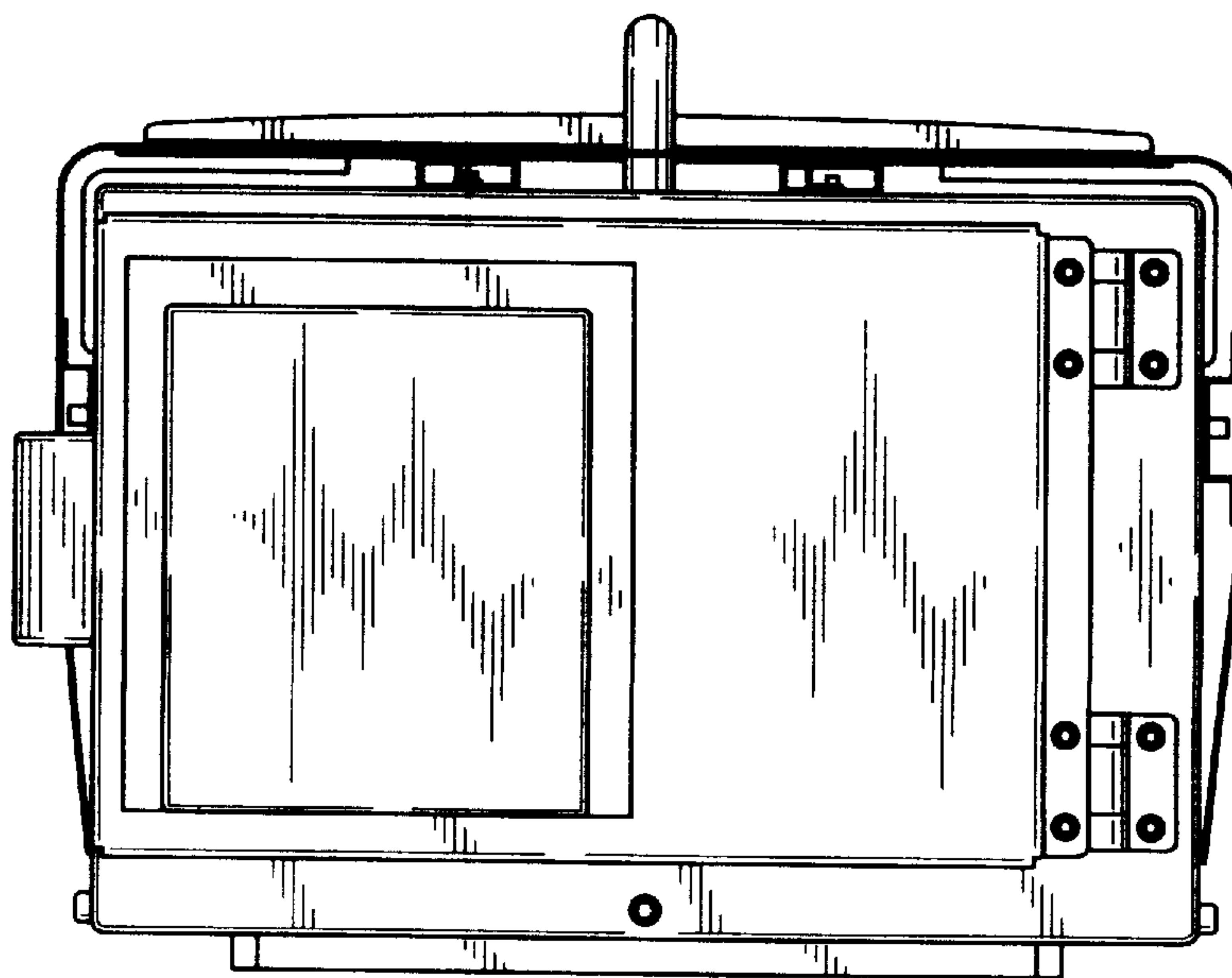
**1 Claim, 6 Drawing Sheets**



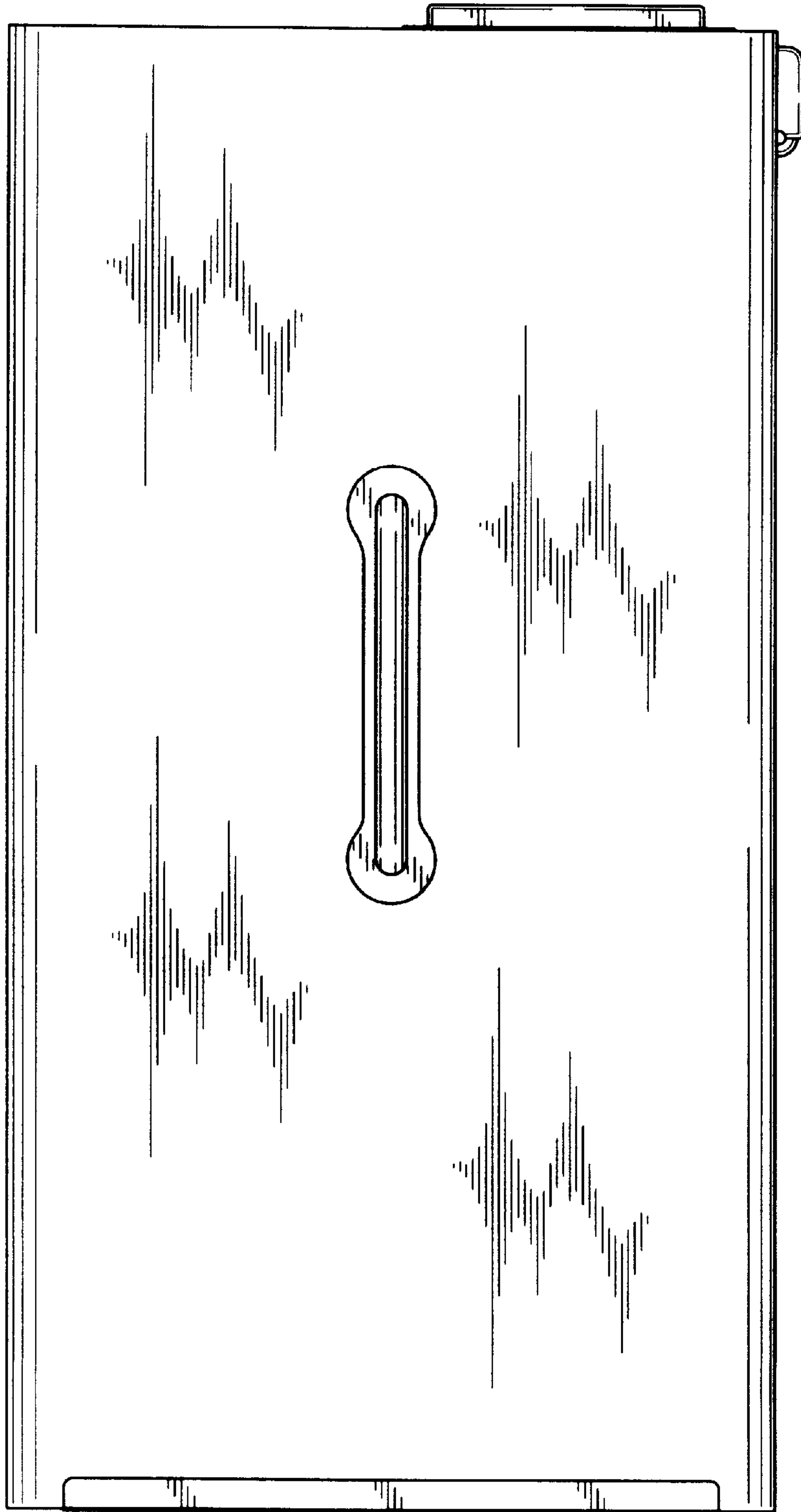
*FIG. 1*



*FIG. 2*



*FIG. 3*



*FIG. 4*

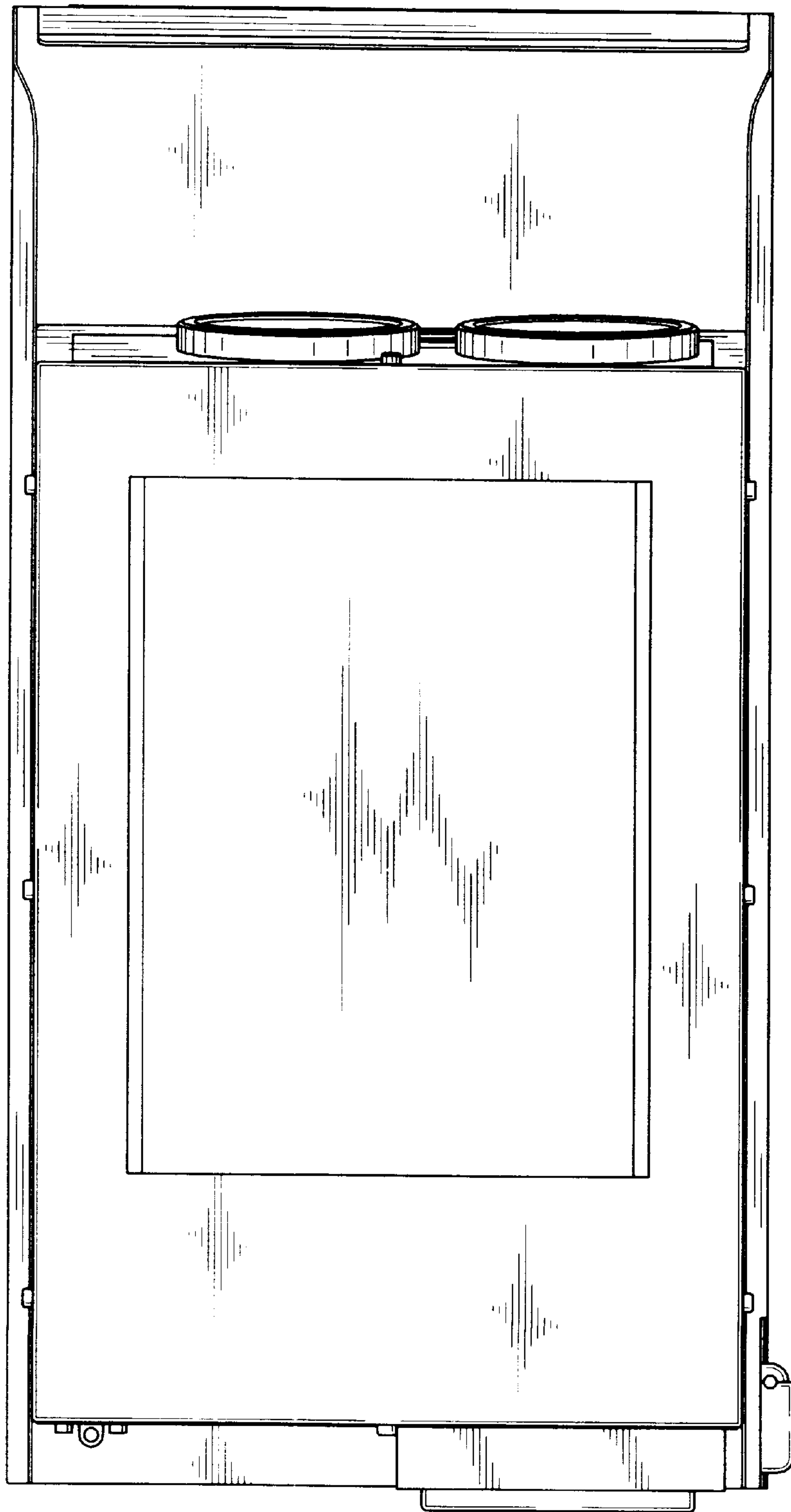
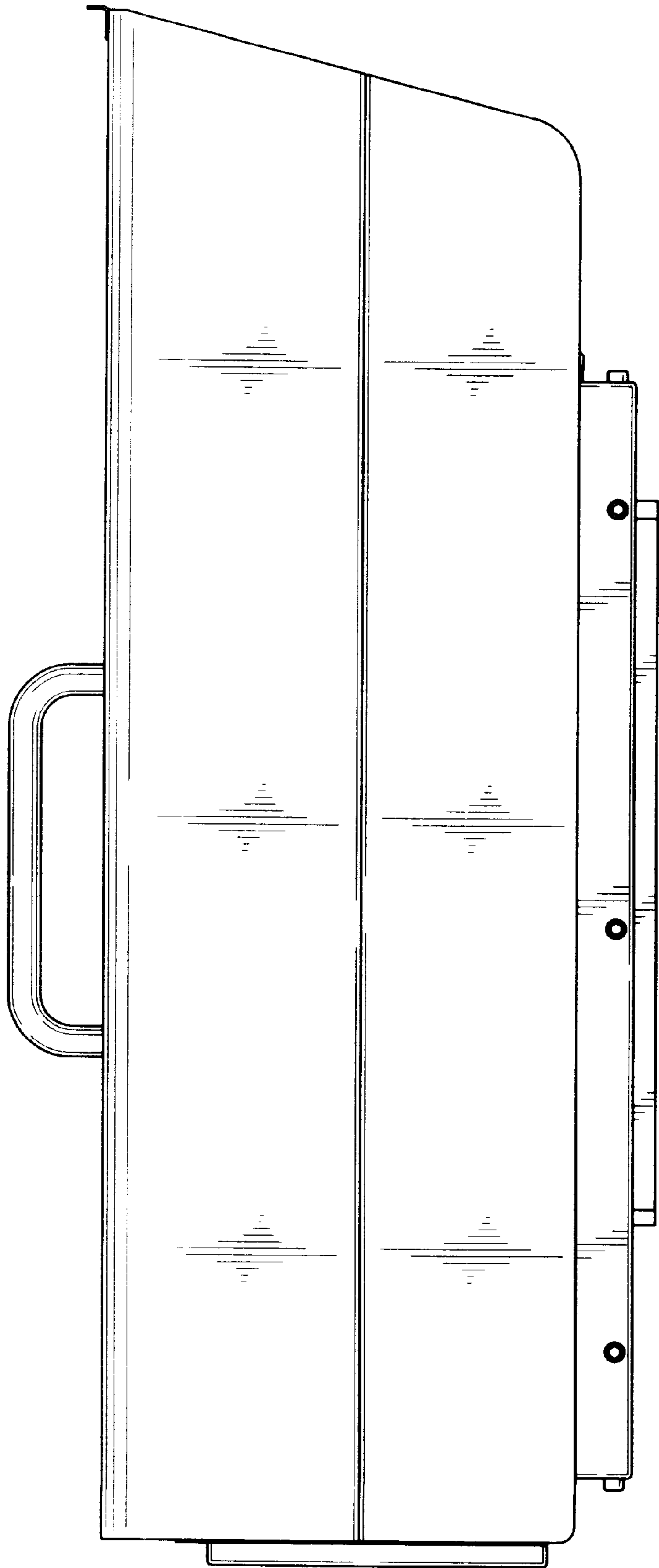
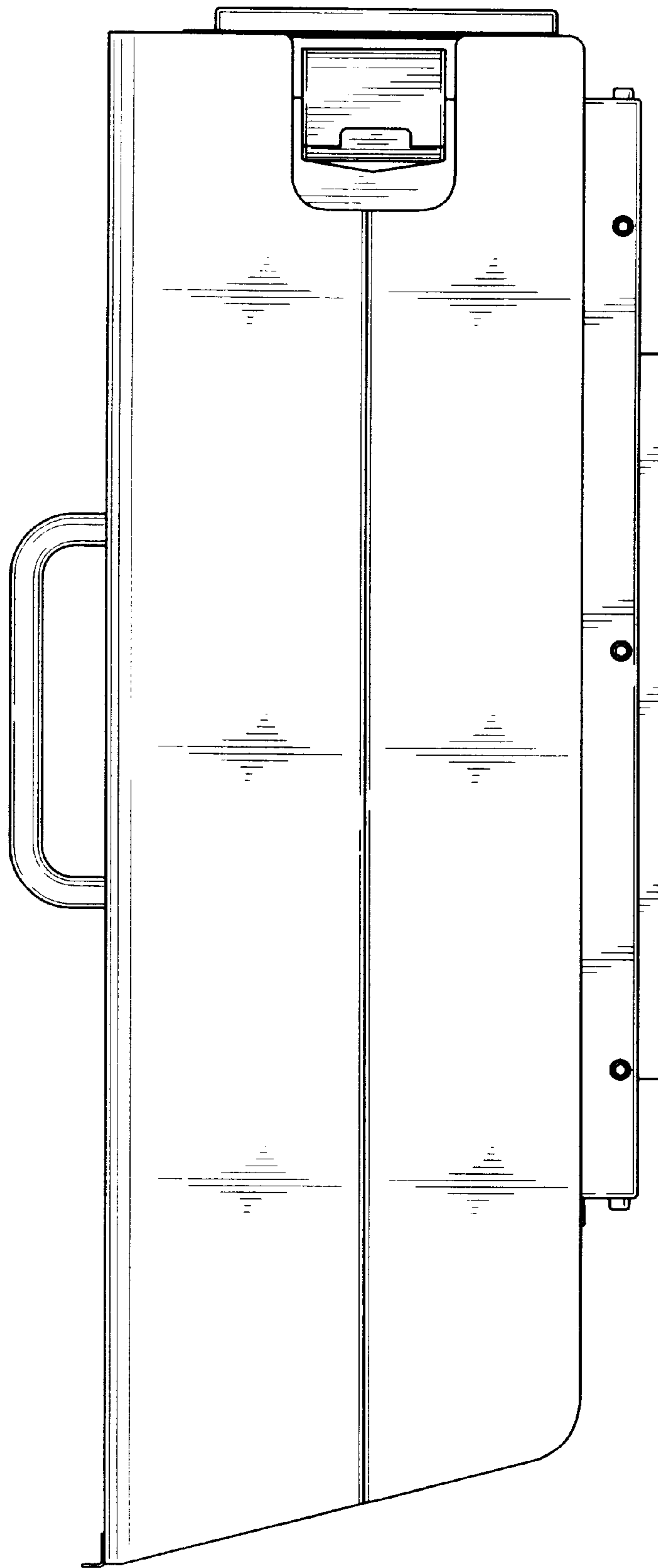


FIG. 5



**FIG. 6**





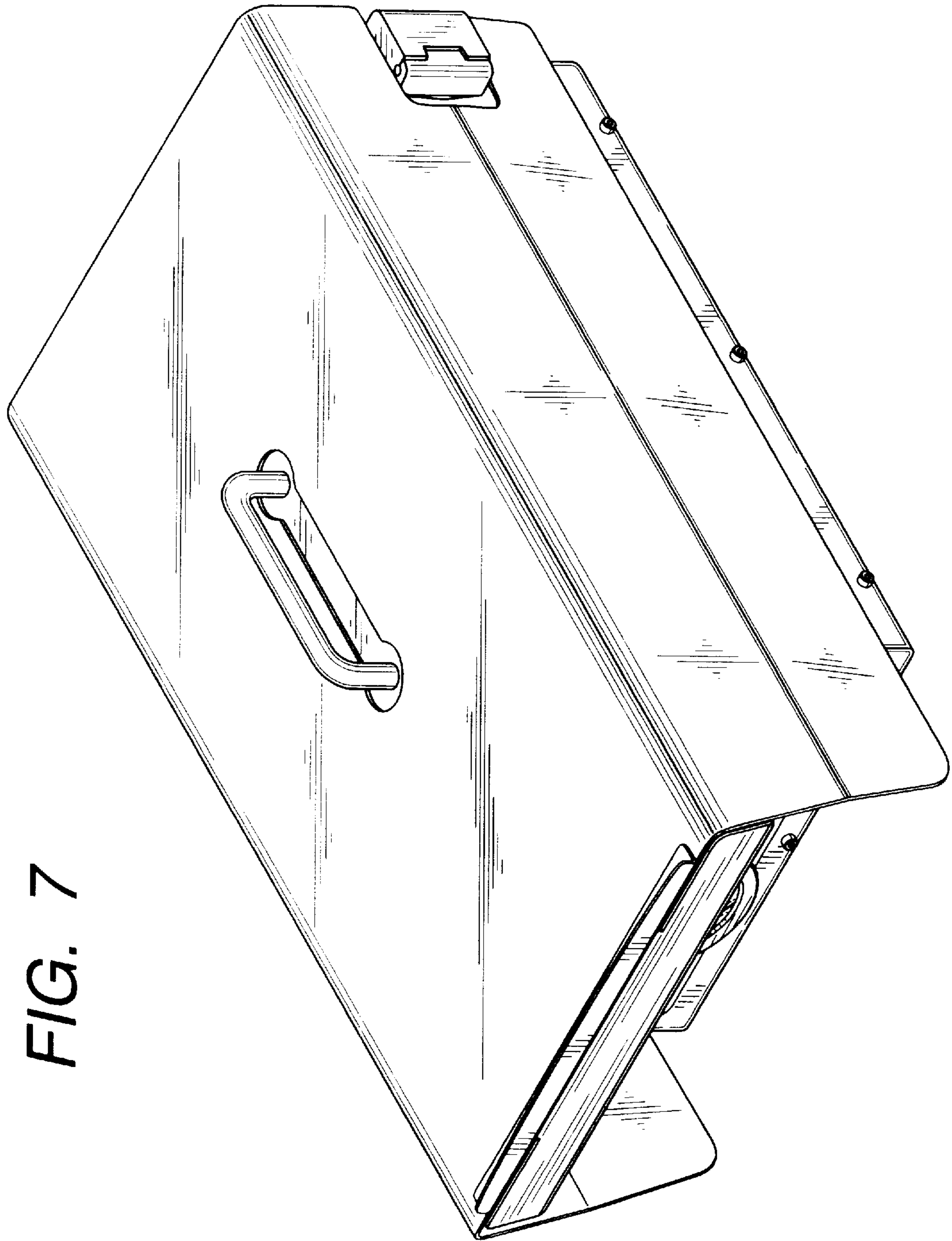


FIG. 7