



US00D462944S

(12) **United States Design Patent**
Yuen

(10) **Patent No.:** **US D462,944 S**

(45) **Date of Patent:** **** Sep. 17, 2002**

(54) **CORDLESS HEADSET FOR MOBILE PHONE**

(76) Inventor: **Se Kit Yuen**, 6/F, Yau Lee Centre, 45
Hoi Yuen Road, Kwun Tong, Kowloon
(HK)

(**) Term: **14 Years**

(21) Appl. No.: **29/145,097**

(22) Filed: **Jul. 17, 2001**

(30) **Foreign Application Priority Data**

Jun. 28, 2001 (HK) 0110929

(51) **LOC (7) Cl.** **14-01**

(52) **U.S. Cl.** **D14/206**

(58) **Field of Search** D14/205, 206,
D14/223, 226; 181/128, 129, 130; 381/374,
376, 377, 378, 379, 381; 379/430

(56) **References Cited**

U.S. PATENT DOCUMENTS

- D311,521 S * 10/1990 Jonsson et al. D14/226
- D366,486 S * 1/1996 Runquist et al. D14/206
- D375,313 S * 11/1996 Jensen et al. D14/206
- 5,757,944 A * 5/1998 Jensen et al. 379/430

- D403,327 S * 12/1998 Landreth et al. D14/223
- D431,235 S * 9/2000 Lyman et al. D14/142
- D436,095 S * 1/2001 Schmidt et al. D14/206
- D439,890 S * 4/2001 Skulley et al. D14/223
- D443,871 S * 6/2001 Hofstede et al. D14/206
- D451,907 S * 12/2001 Amae et al. D14/223
- D452,857 S * 1/2002 Hong D14/223

* cited by examiner

Primary Examiner—Paula A. Mortimer

(74) *Attorney, Agent, or Firm*—Raymond Y. Chan; David
and Raymond Patent Group

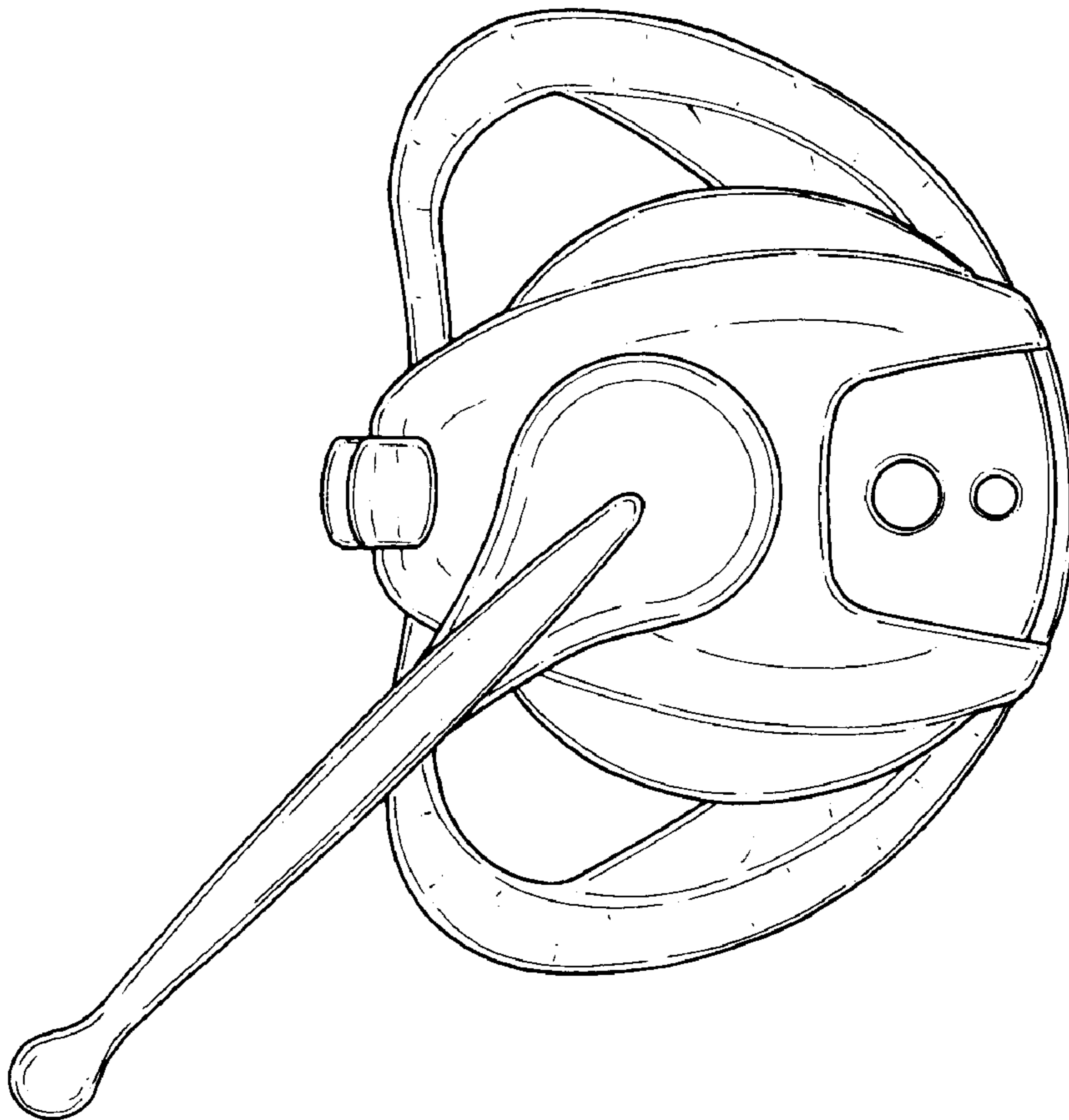
(57) **CLAIM**

The ornamental design for a cordless headset for mobile
phone, as shown.

DESCRIPTION

FIG. 1 is a front view thereof;
FIG. 2 is a rear view thereof;
FIG. 3 is a right end view thereof;
FIG. 4 is a left end view thereof;
FIG. 5 is a top view thereof; and,
FIG. 6 is a bottom view thereof.

1 Claim, 3 Drawing Sheets



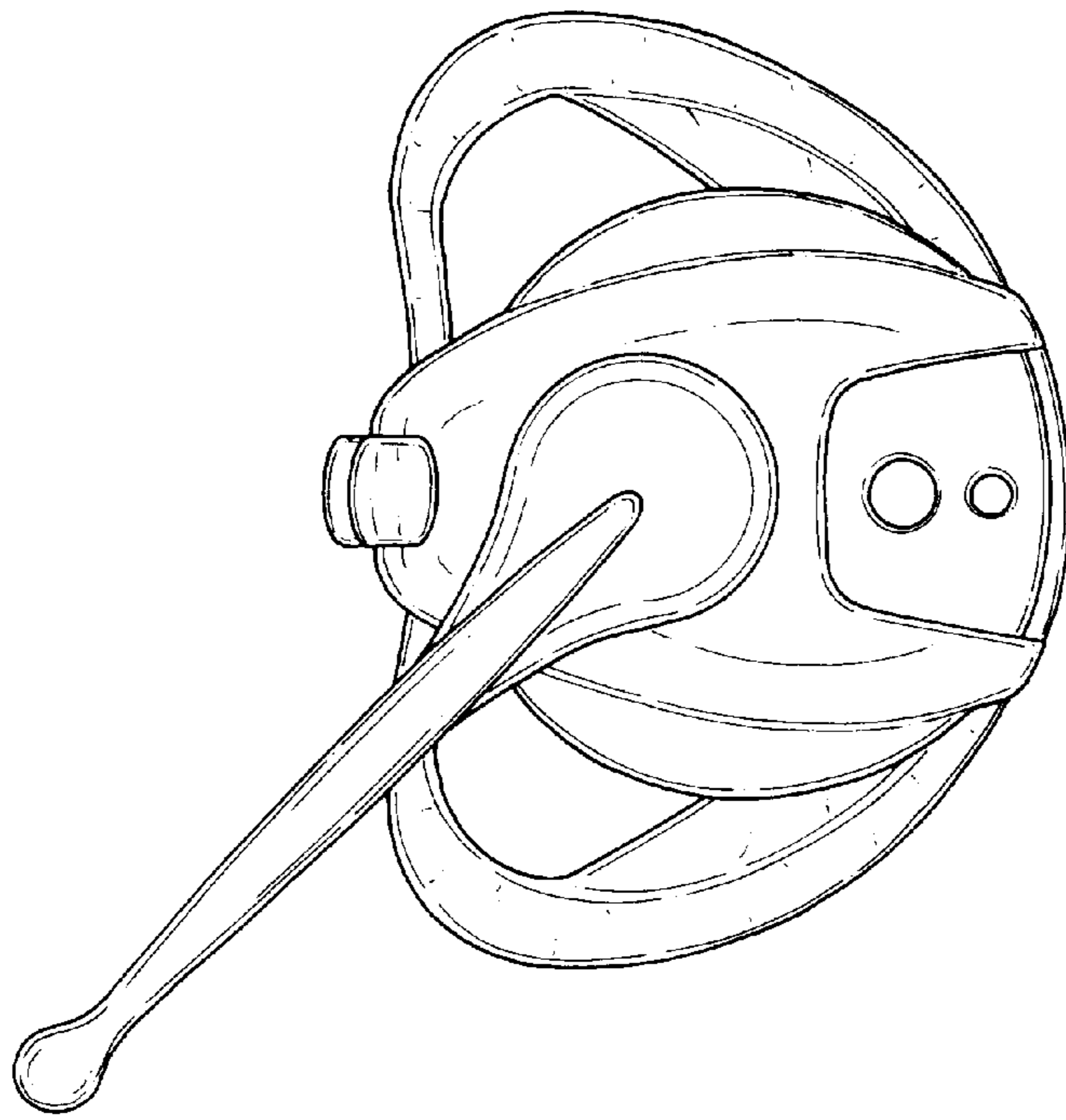


FIG. 1

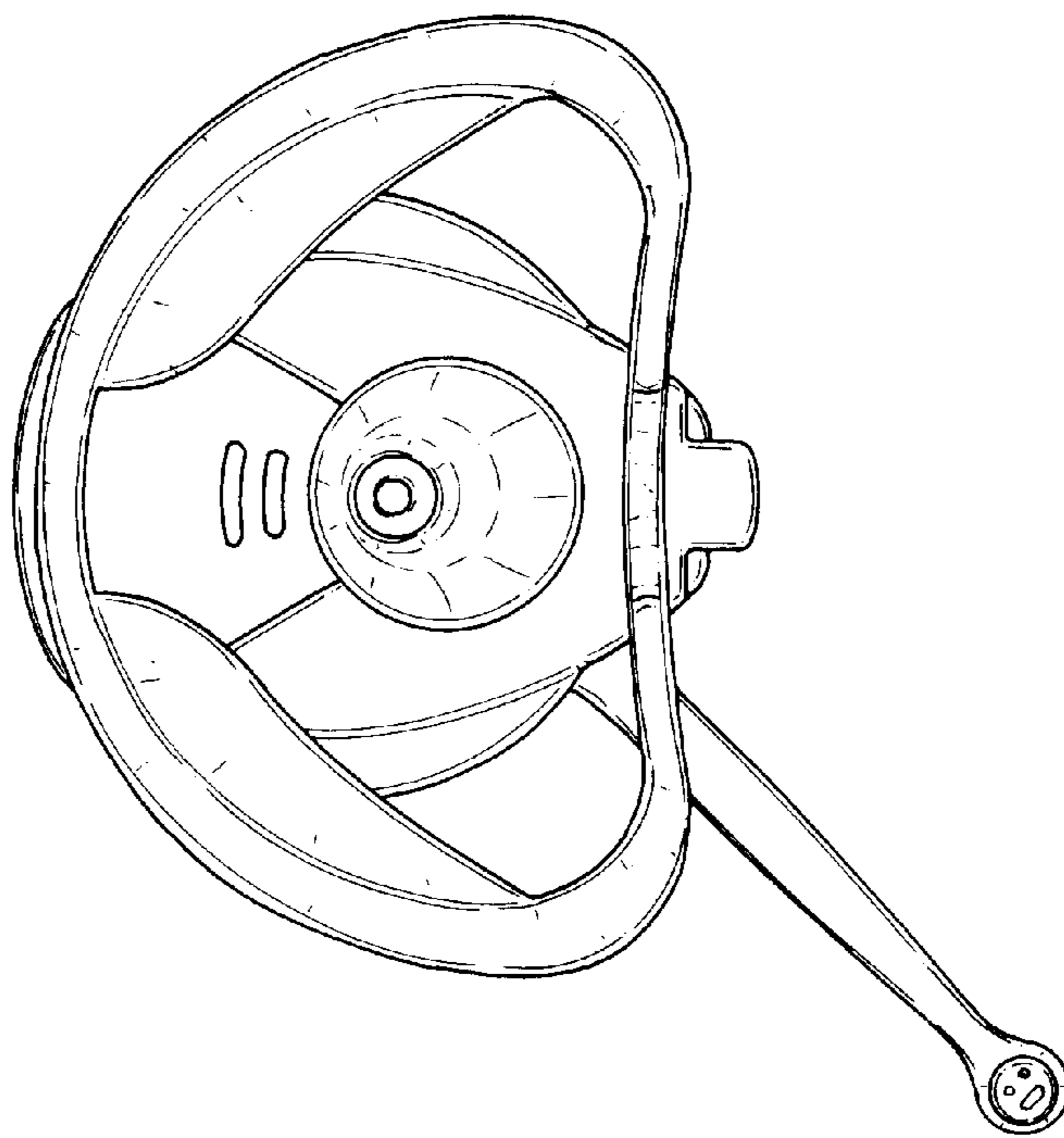


FIG. 2

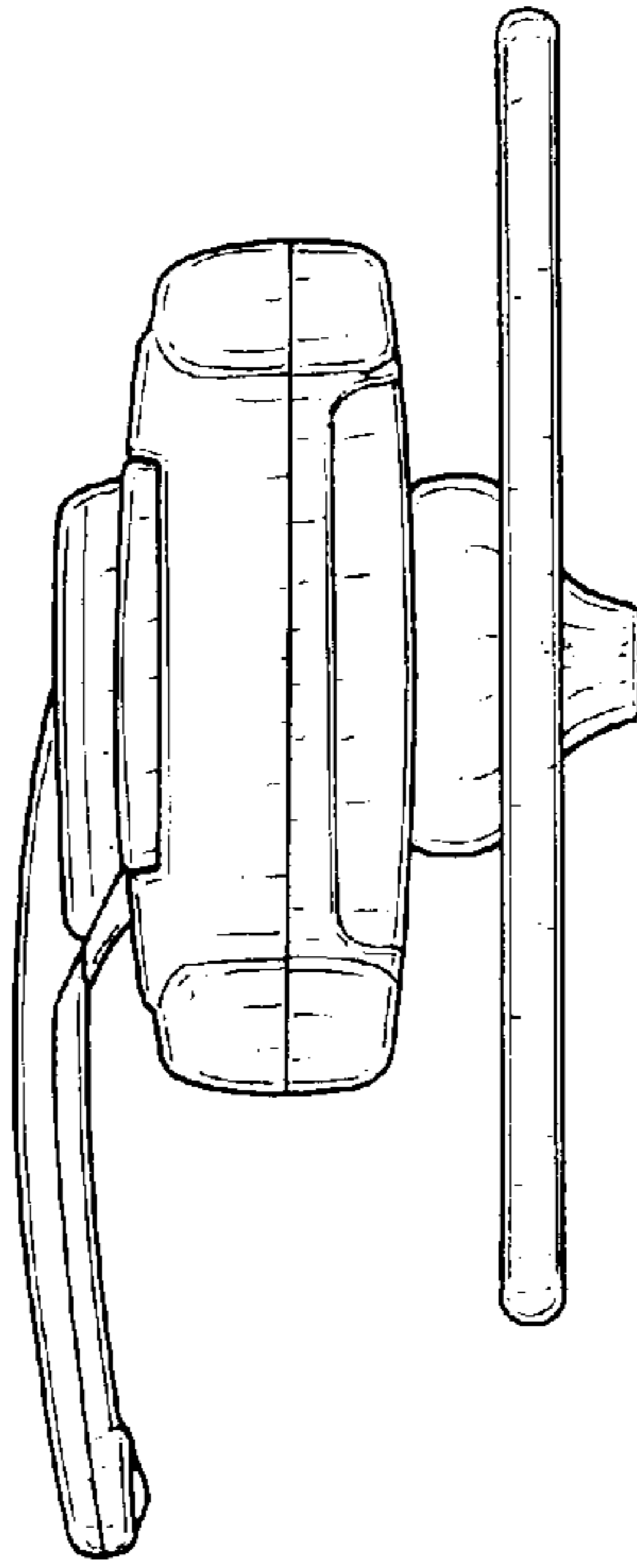


FIG. 3

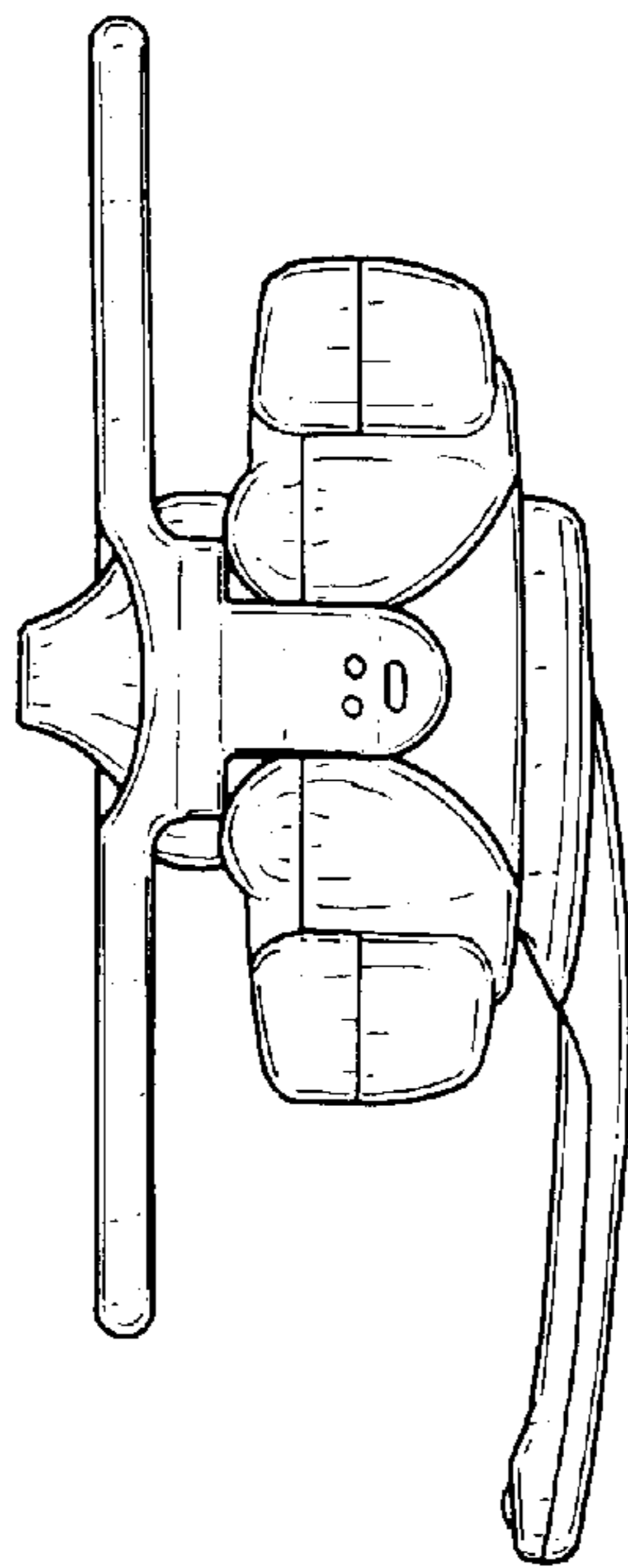


FIG. 4

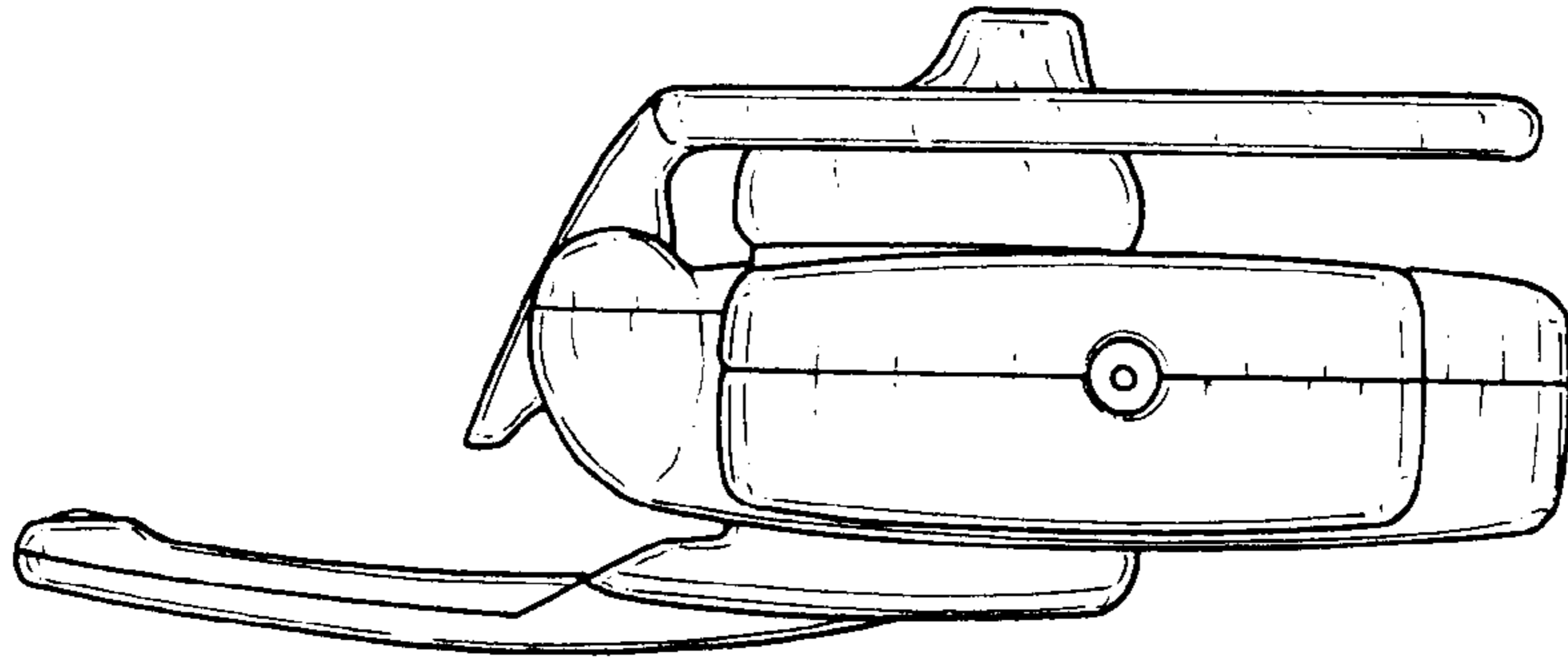


FIG. 5

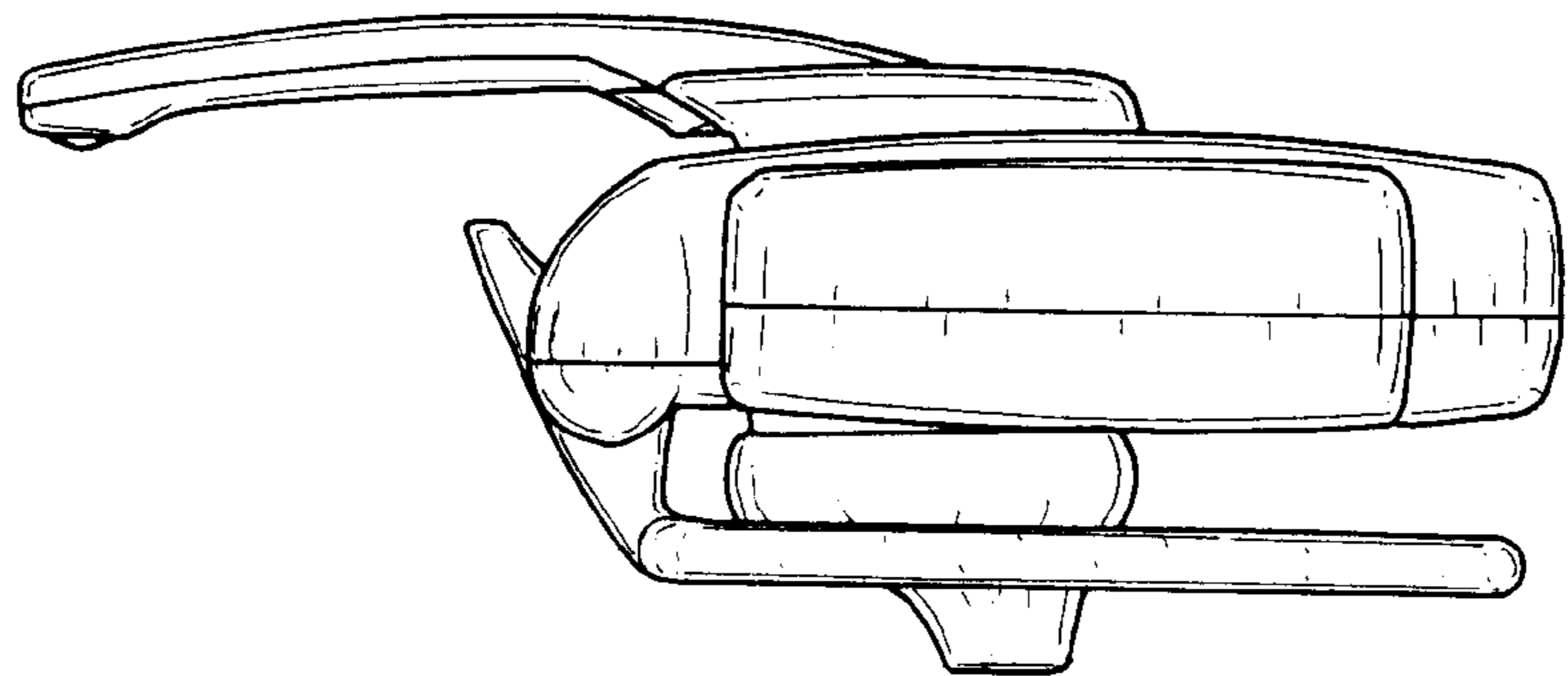


FIG. 6