



US00D462942S

(12) **United States Design Patent**
Murakami

(10) **Patent No.:** **US D462,942 S**

(45) **Date of Patent:** **** Sep. 17, 2002**

(54) **DISC PLAYER**

(75) Inventor: **Tomonari Murakami**, Tokyo (JP)

(73) Assignee: **Sony Corporation**, Tokyo (JP)

(**) Term: **14 Years**

(21) Appl. No.: **29/149,500**

(22) Filed: **Oct. 12, 2001**

(51) **LOC (7) Cl.** **14-01**

(52) **U.S. Cl.** **D14/156**

(58) **Field of Search** D14/135-136,
D14/156-157, 167-168, 188, 197-198,
257-258; 369/75.1, 75.2, 77.1, 77.2

(56) **References Cited**

U.S. PATENT DOCUMENTS

| | | | | | |
|------------|---|---------|-----------------|-------|---------|
| D376,800 S | * | 12/1996 | Shudo | | D14/156 |
| D431,543 S | * | 10/2000 | Yuyama | | D14/156 |
| D431,544 S | | 10/2000 | Kobayashi | | |
| D432,514 S | | 10/2000 | Nakamura et al. | | |
| D433,672 S | | 11/2000 | Kobayashi | | |
| D441,350 S | | 5/2001 | Nakamura et al. | | |

OTHER PUBLICATIONS

Catalog "98", p. 70, Sony Corporation (Jul. 2001).

* cited by examiner

Primary Examiner—Nanda Bondade

(74) *Attorney, Agent, or Firm*—Rader, Fishman & Grauer, PLLC

(57) **CLAIM**

The ornamental design for a disc player, as shown and described.

DESCRIPTION

FIG. 1 is a perspective view of a disc player showing my new design;

FIG. 2 is a front elevational view thereof;

FIG. 3 is a rear elevational view thereof;

FIG. 4 is a left side elevational view thereof;

FIG. 5 is a right side elevational view thereof;

FIG. 6 is a top plan view thereof; and

FIG. 7 is a bottom plan view thereof.

FIG. 8 is second embodiment perspective view of a disc player showing my design;

FIG. 9 is a front elevational view thereof;

FIG. 10 is a rear elevational view thereof;

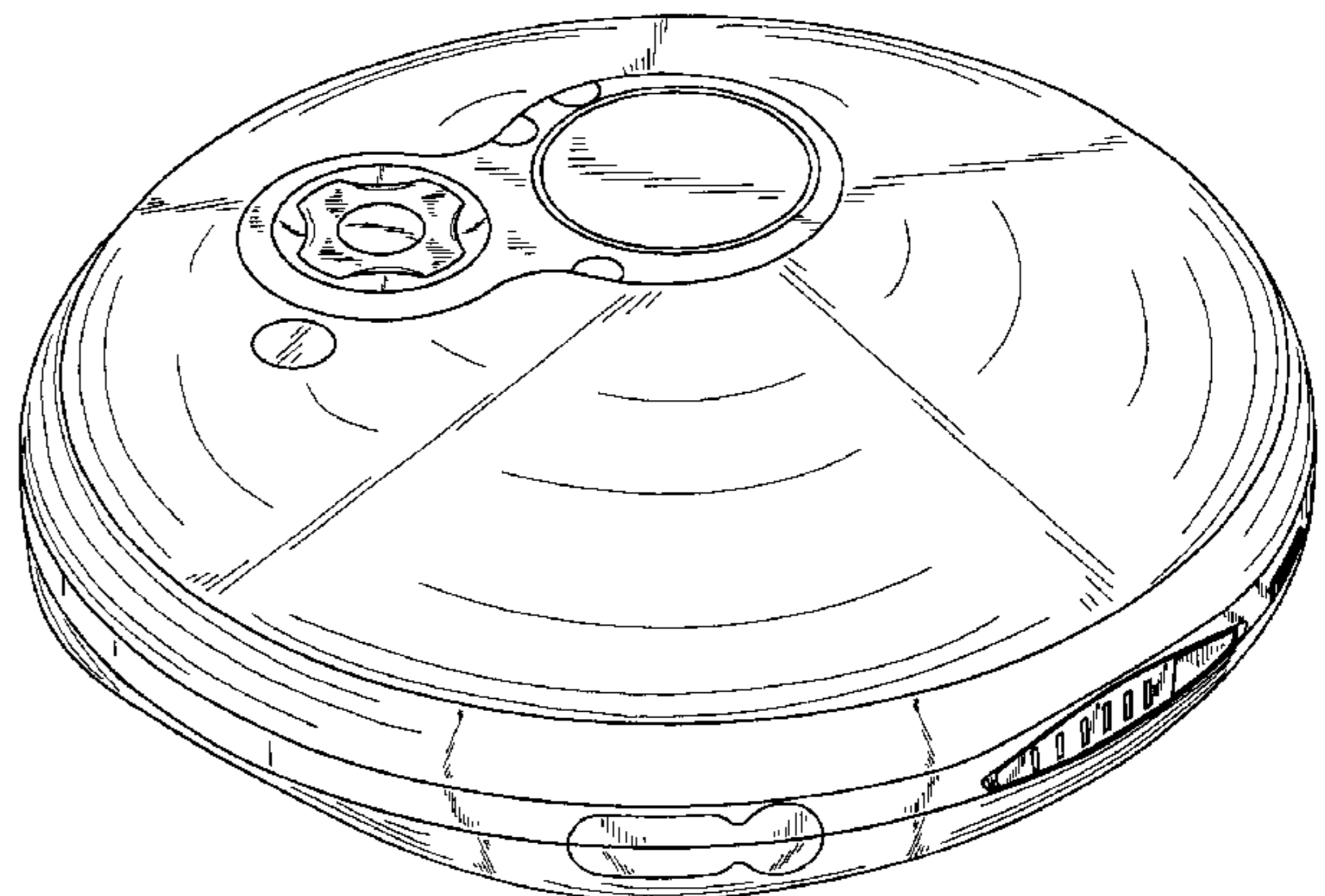
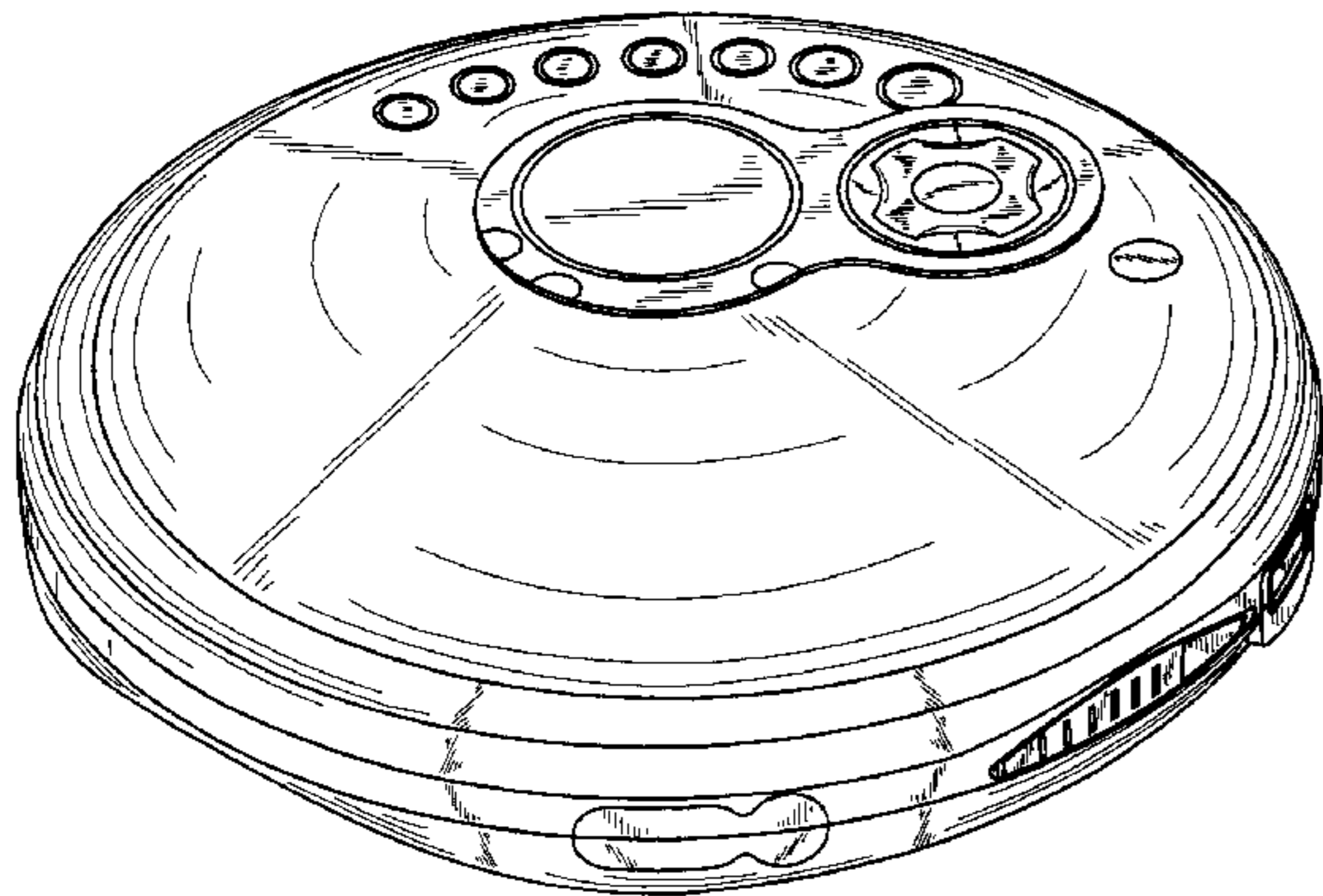
FIG. 11 is a left side elevational view thereof;

FIG. 12 is a right side elevational view thereof;

FIG. 13 is a top plan view thereof; and,

FIG. 14 is a bottom plan view thereof.

1 Claim, 8 Drawing Sheets



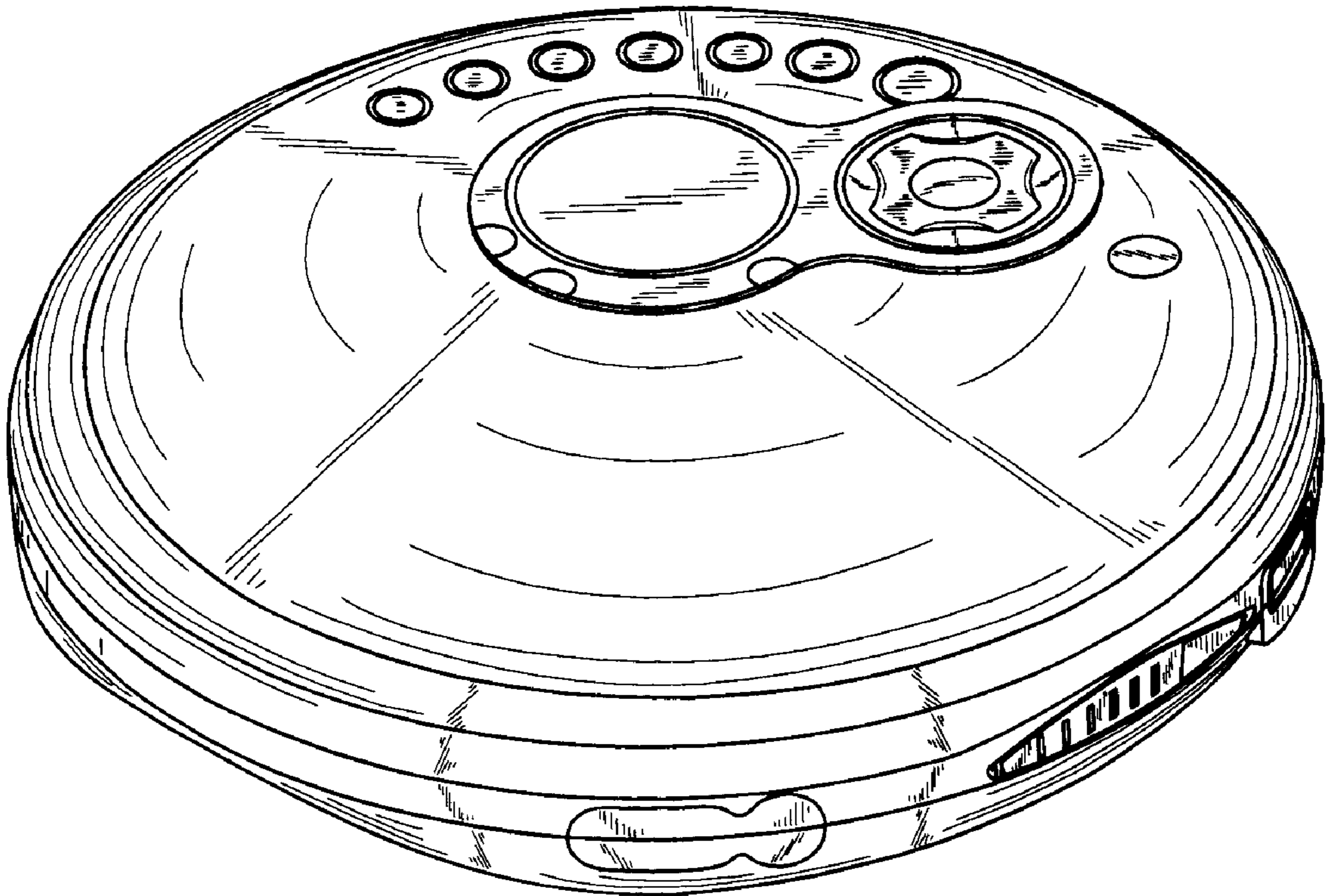


Fig. 1

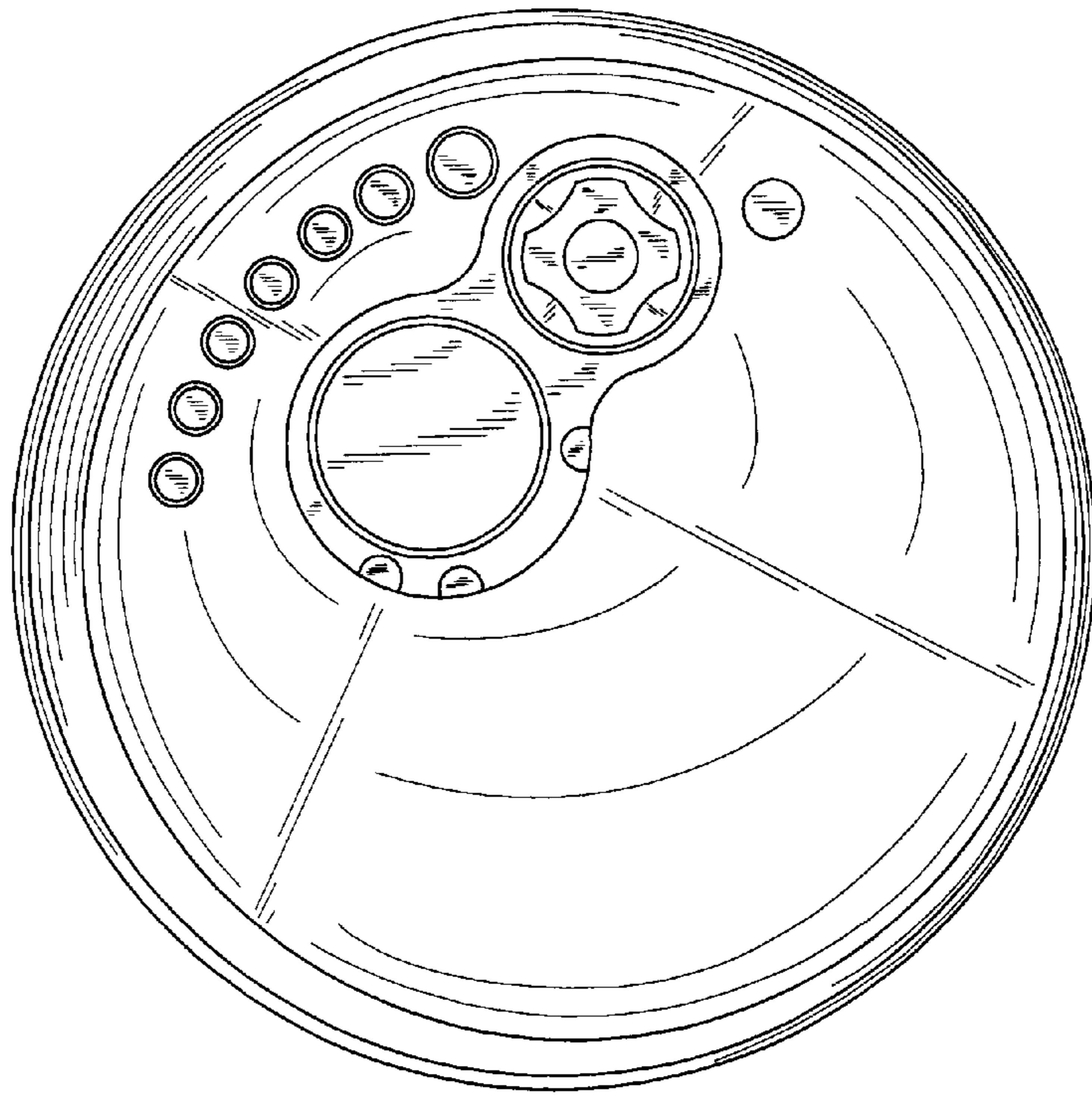


Fig. 2

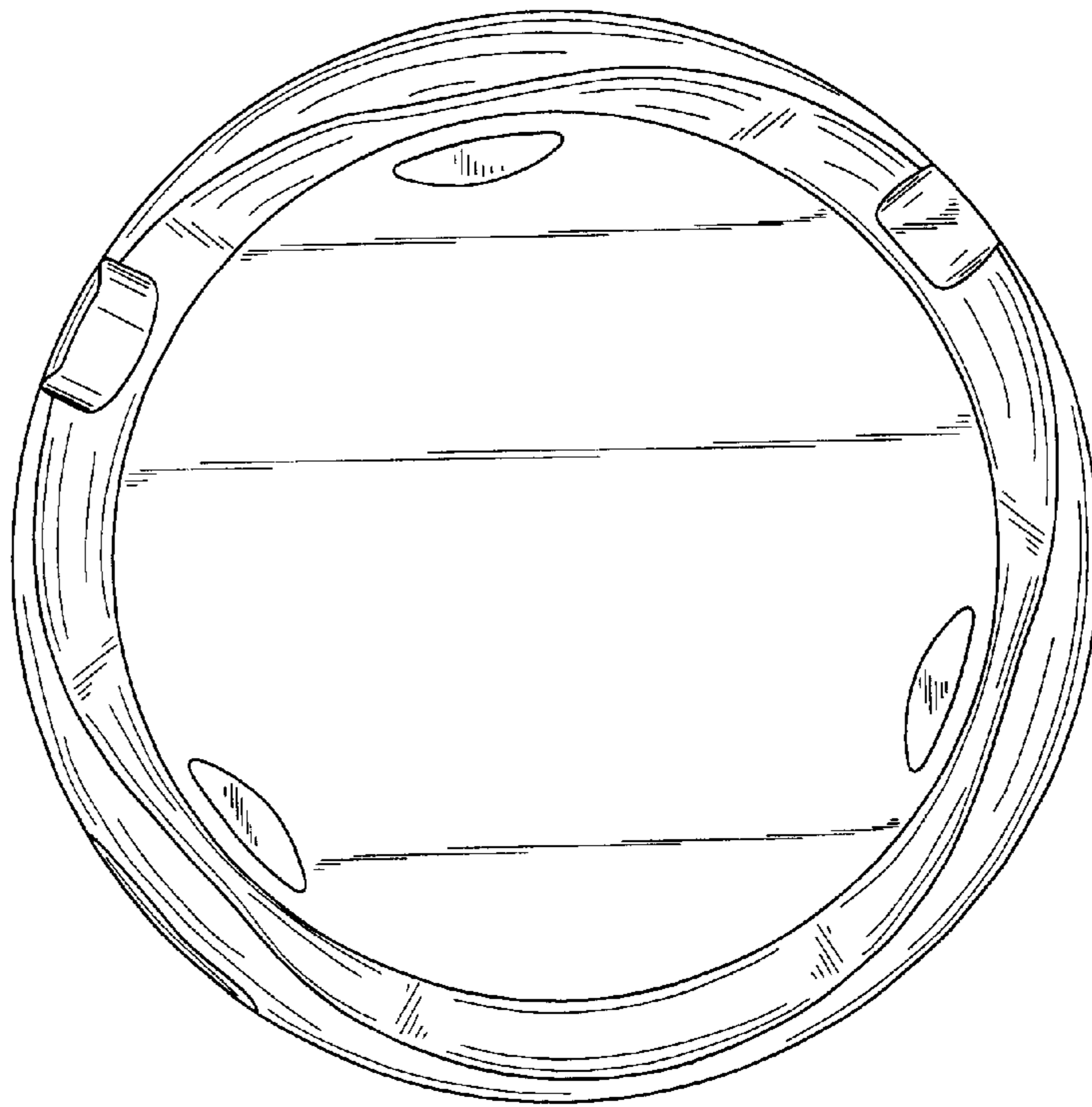


Fig. 3

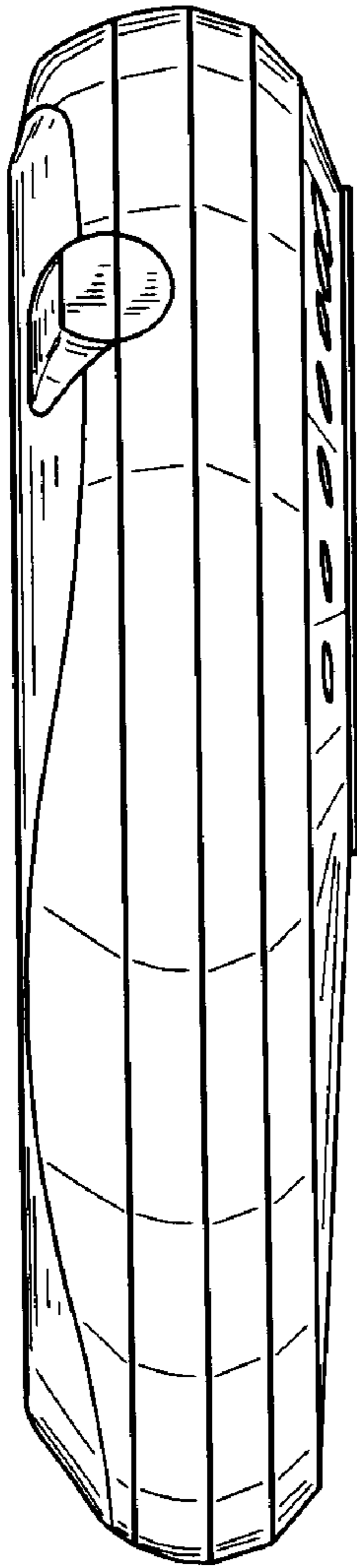


Fig. 4

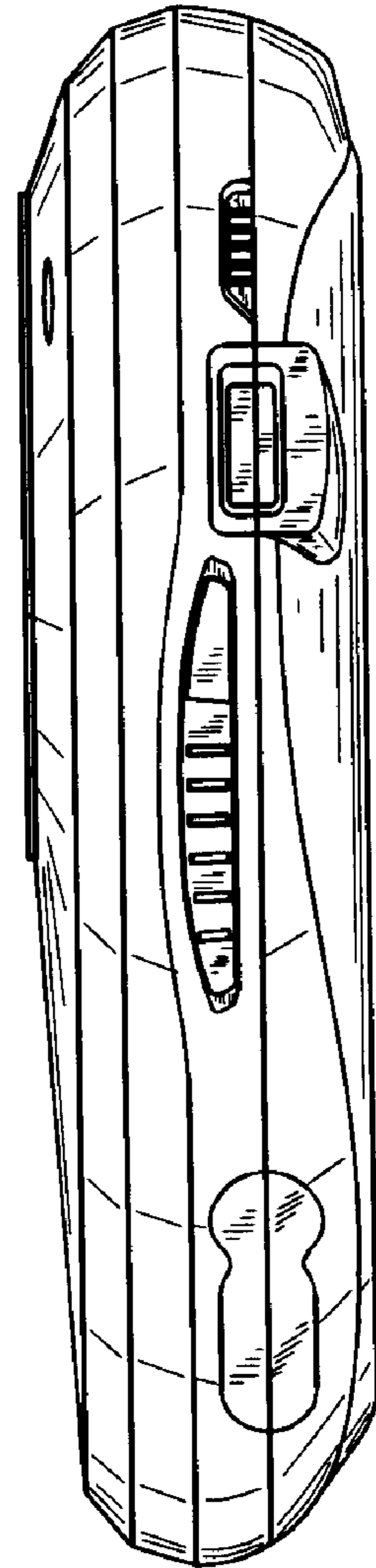


Fig. 5

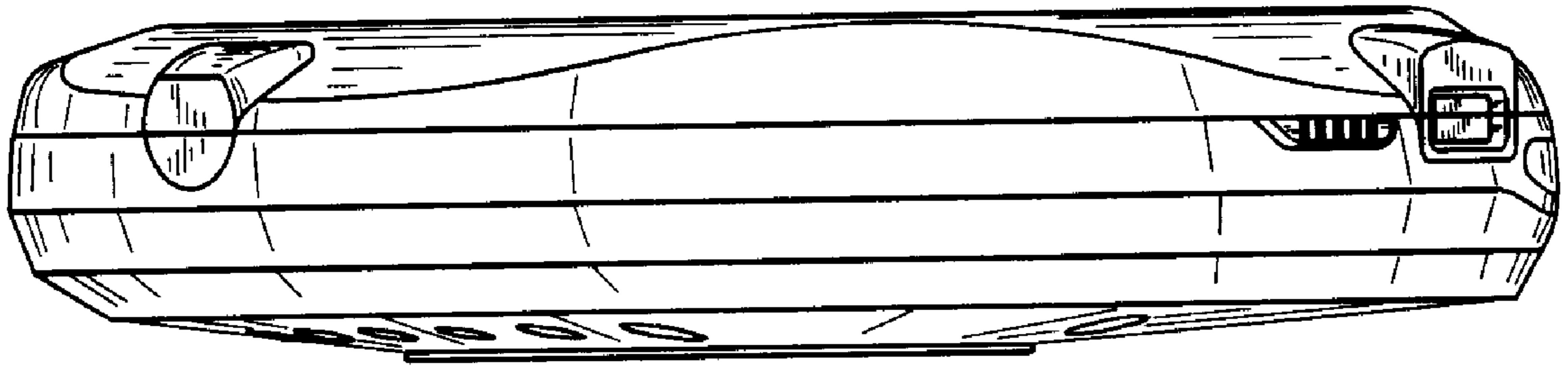


Fig. 6

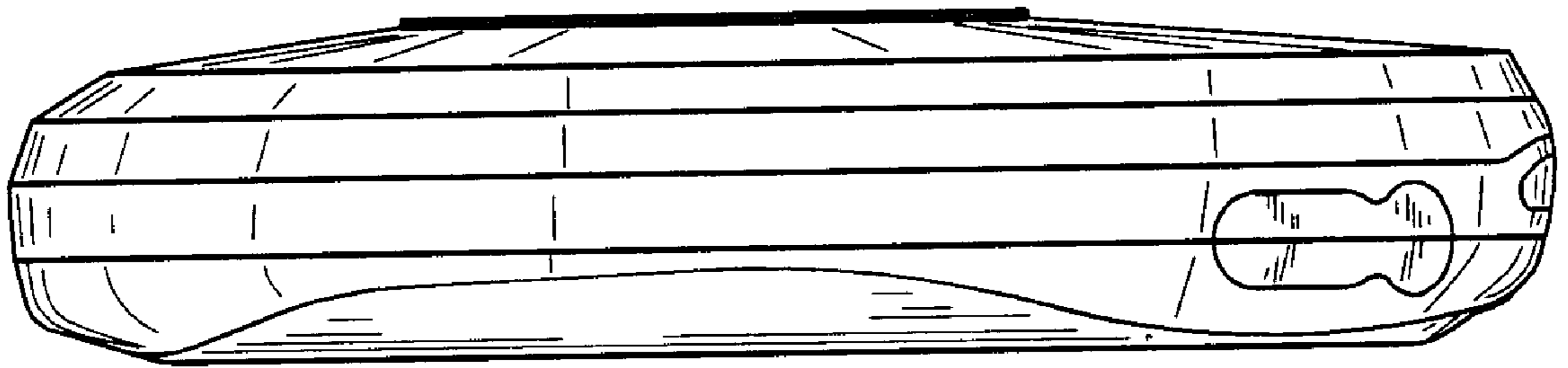


Fig. 7

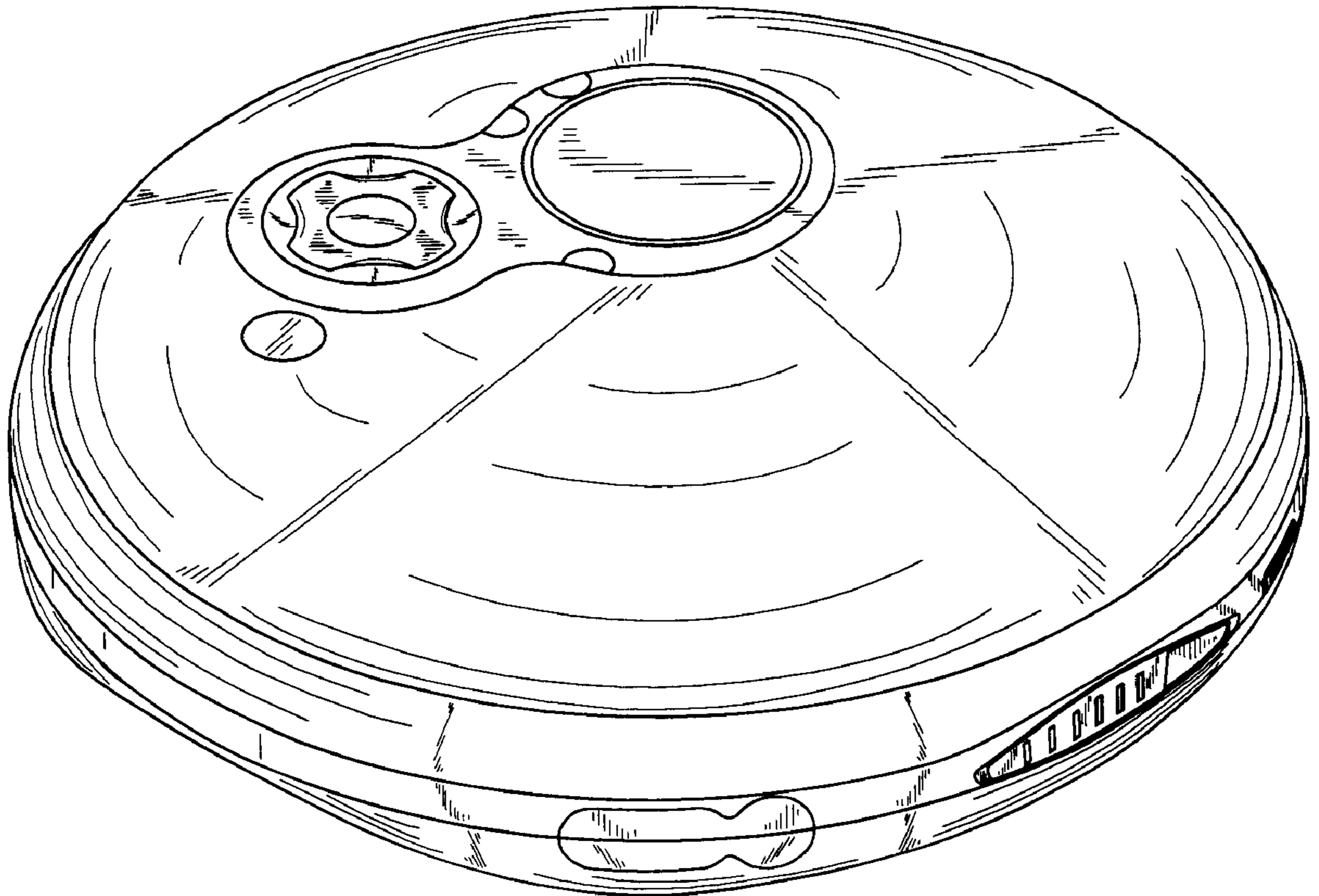


Fig. 8

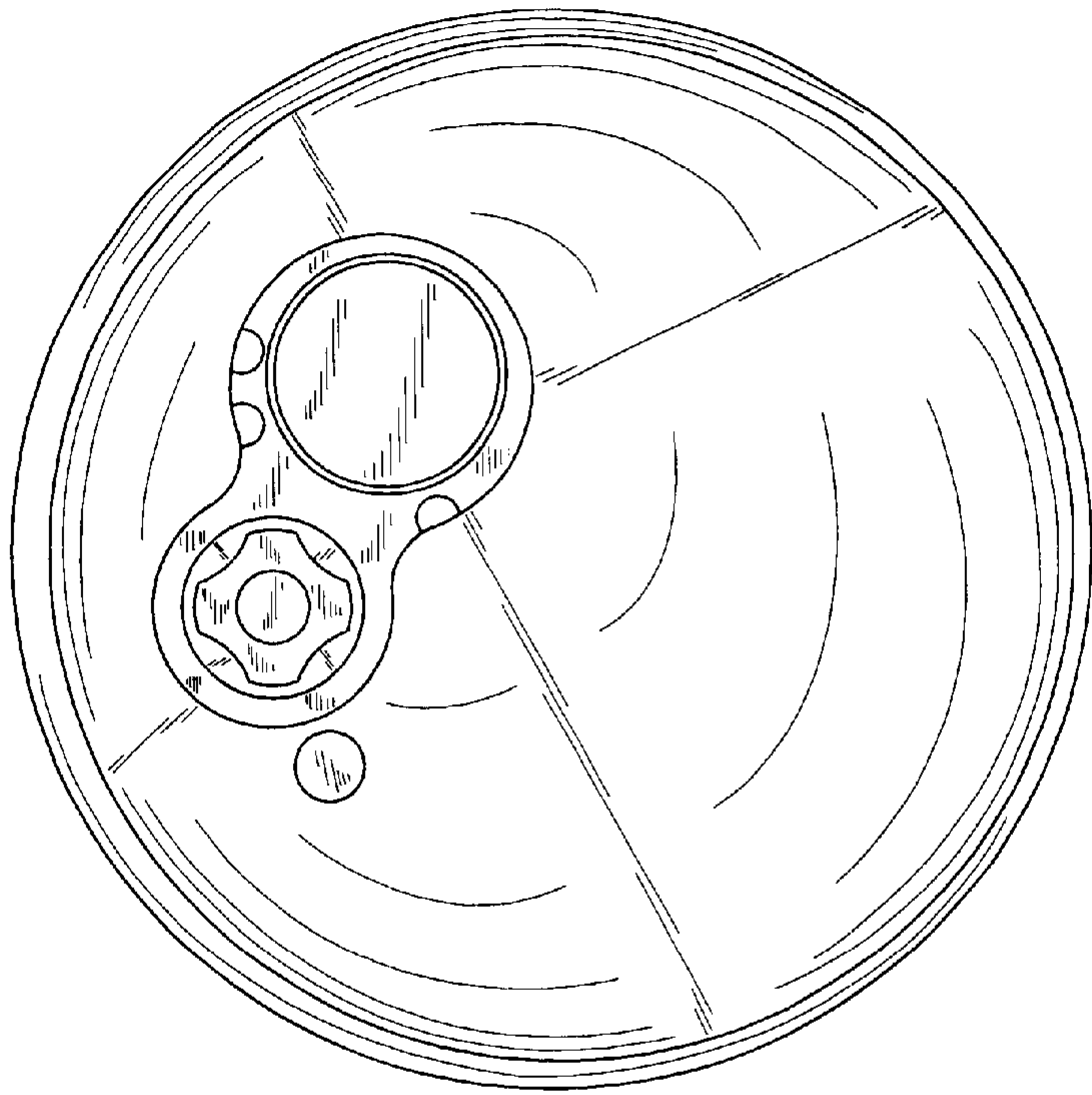


Fig. 9

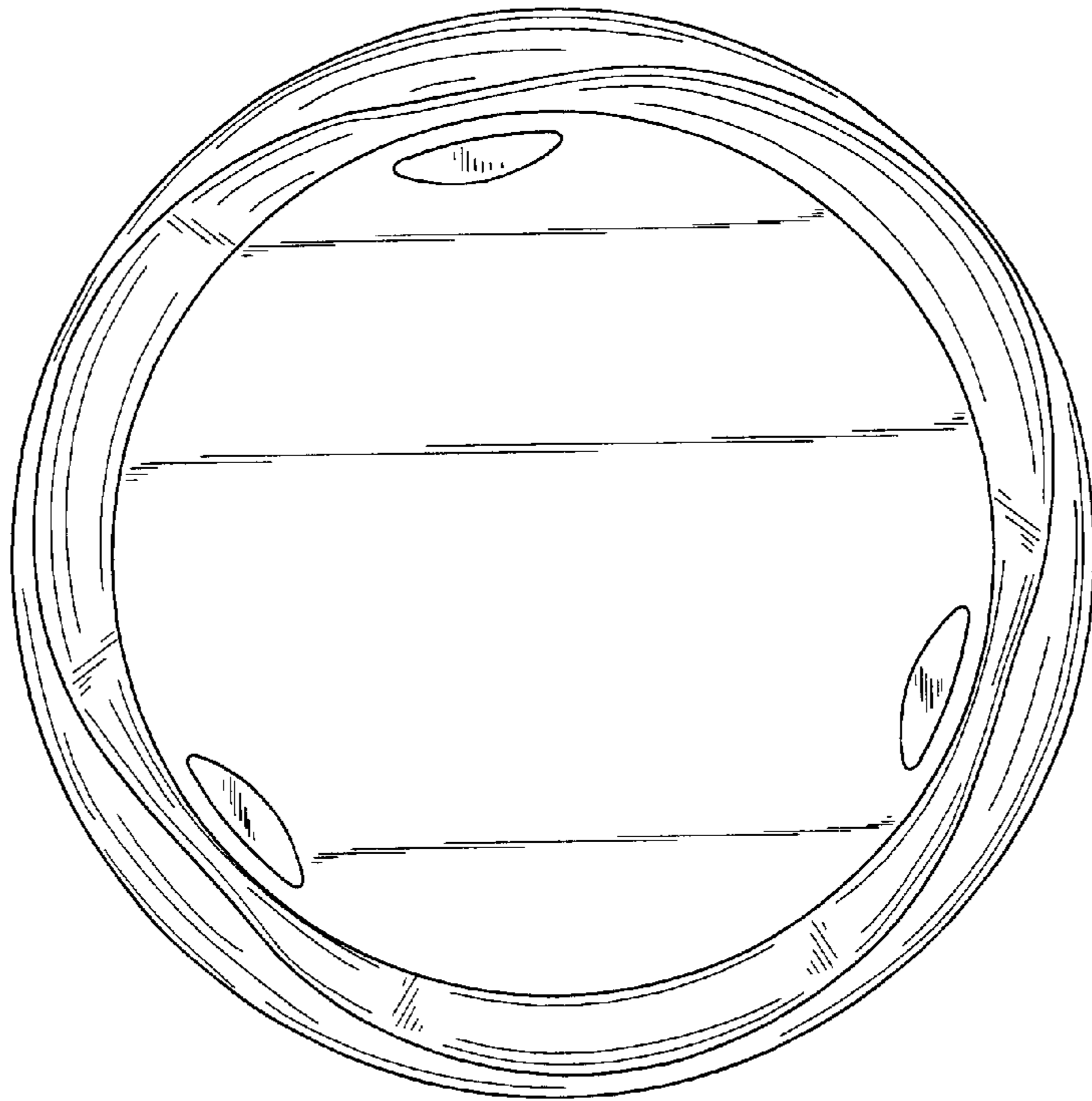


Fig. 10



Fig. 11

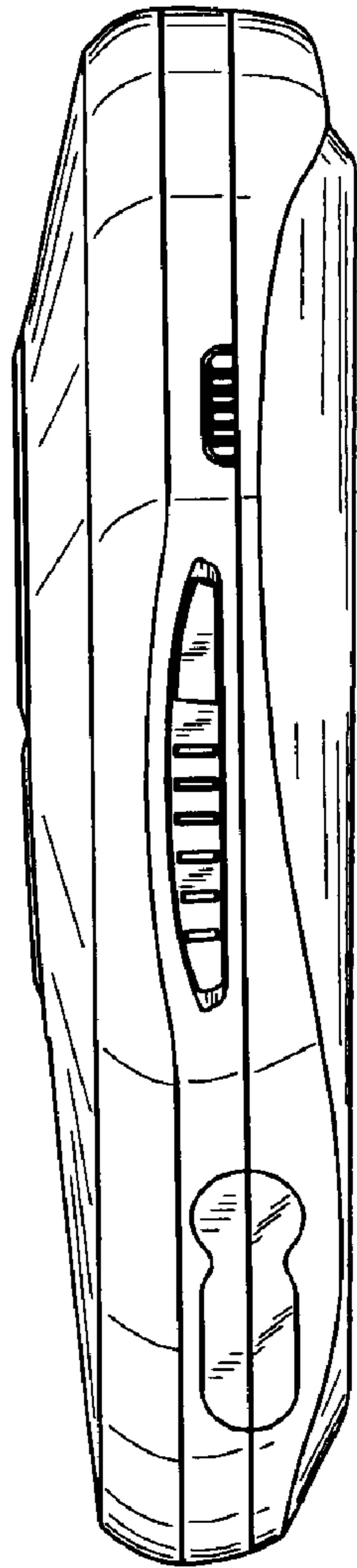


Fig. 12

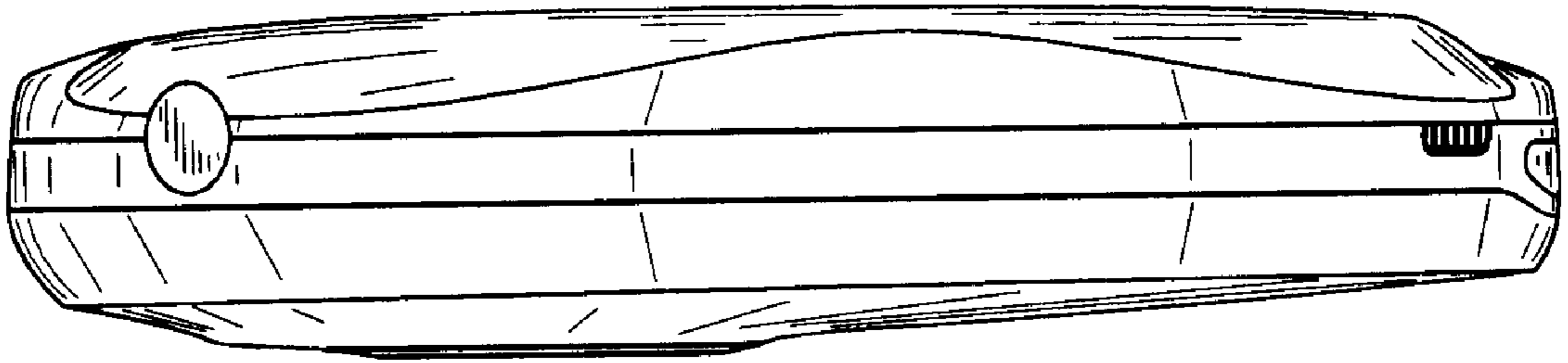


Fig 13

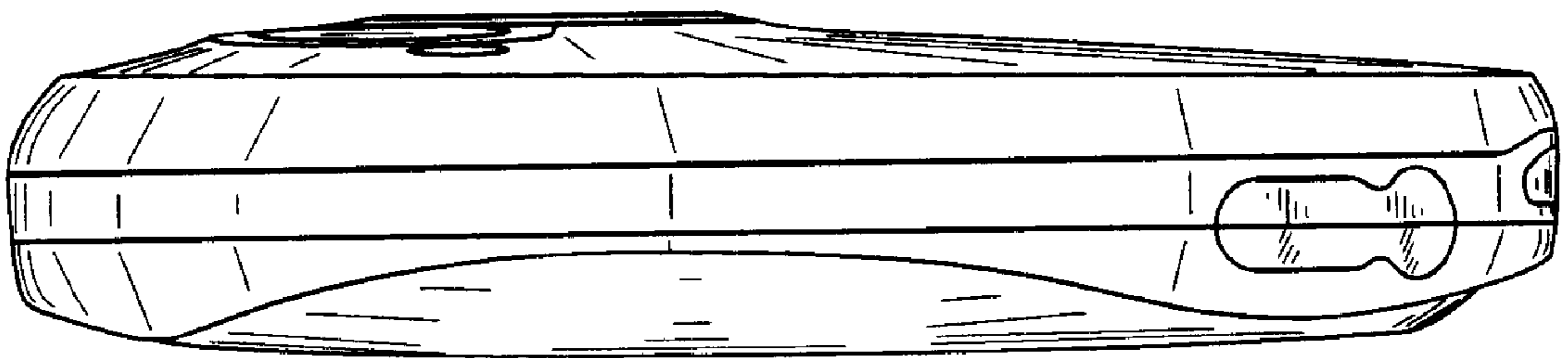


Fig 14