



US00D462939S

(12) **United States Design Patent**  
**Dinh**

(10) **Patent No.:** **US D462,939 S**

(45) **Date of Patent:** **\*\* Sep. 17, 2002**

(54) **COVER PLATE FOR AN ELECTRICAL  
OUTLET BOX SUPPORT**

(75) Inventor: **Cong T. Dinh**, Memphis, TN (US)

(73) Assignee: **Thomas & Betts International, Inc.**,  
Sparks, NV (US)

(\*\*) Term: **14 Years**

(21) Appl. No.: **29/139,534**

(22) Filed: **Mar. 30, 2001**

(51) **LOC (7) Cl.** ..... **13-03**

(52) **U.S. Cl.** ..... **D13/156**

(58) **Field of Search** ..... D13/133, 152,  
D13/154, 156; 174/48, 66, 67; 220/3.4,  
3.9, 241; 439/536, 537

(56) **References Cited**

**U.S. PATENT DOCUMENTS**

1,206,431	A	11/1916	Graybill	.....	220/3.4
1,734,322	A	* 11/1929	Appleton	.....	220/3.92
1,796,037	A	* 3/1931	Mangin	.....	220/3.4
D318,847	S	* 8/1991	Reek	.....	D13/154
5,288,041	A	* 2/1994	Webb	.....	174/48
5,450,974	A	9/1995	Lippa	.....	220/3.9
5,627,340	A	* 5/1997	Smith et al.	.....	174/48
5,957,414	A	* 9/1999	Perrignon De Troyes et al.	.....	174/49
5,965,844	A	* 10/1999	Lippa	.....	174/49

D422,565 S \* 4/2000 Kim ..... D13/152

\* cited by examiner

*Primary Examiner*—Robert M. Spear

(74) *Attorney, Agent, or Firm*—Hoffmann & Baron, LLP

(57) **CLAIM**

The ornamental design for a cover plate for an electrical outlet box support, substantially as shown and described.

**DESCRIPTION**

FIG. 1 is a top perspective showing of the ornamental design for a cover plate for an electrical outlet box support of the present invention;

FIG. 2 is a front elevational showing of the ornamental design for the cover plate for an electrical outlet box support of FIG. 1.

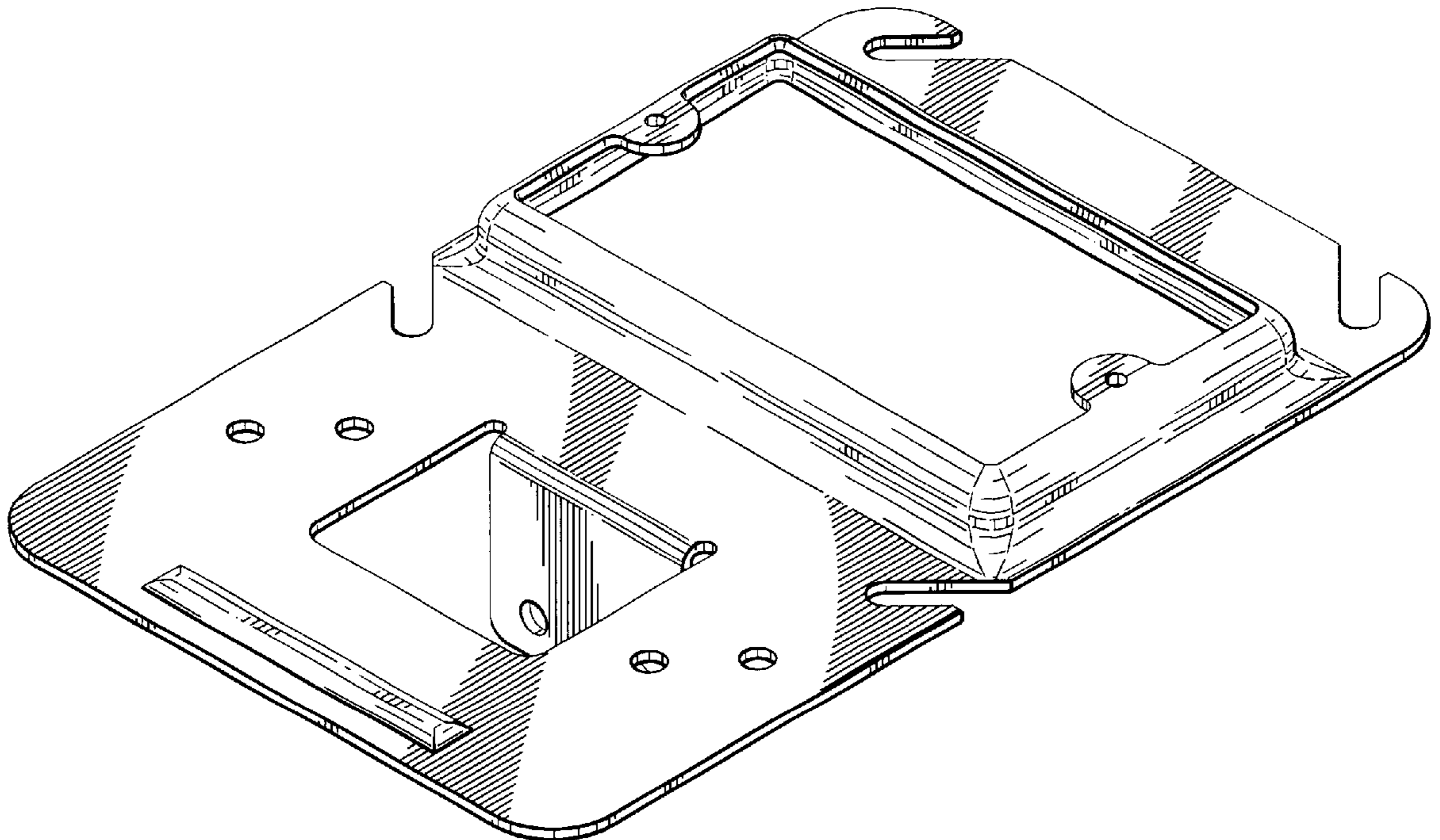
FIG. 3 is a side perspective showing of the ornamental design for the cover plate for an electrical outlet box support of FIG. 1.

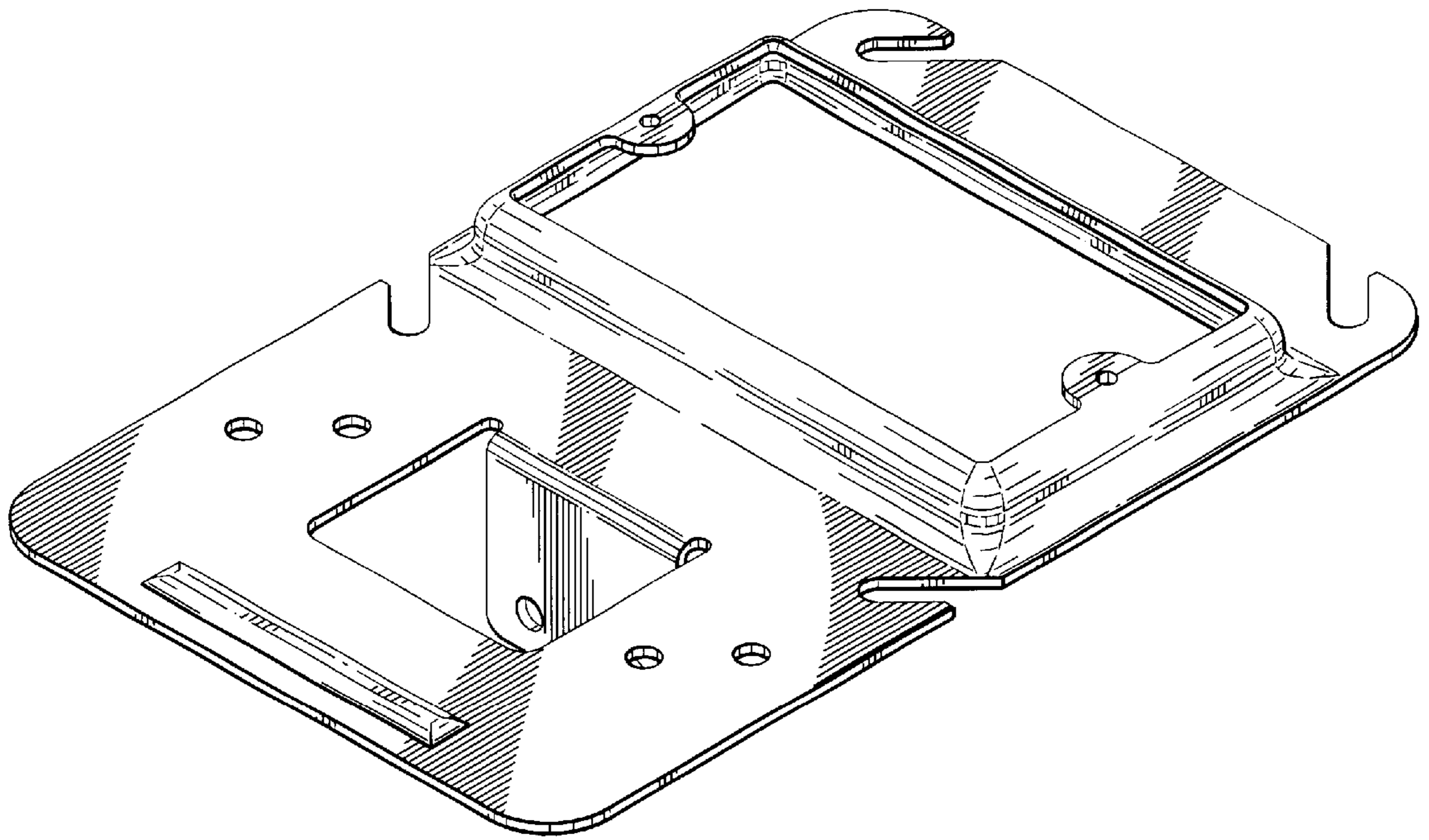
FIG. 4 is a rear elevational showing of the ornamental design for the cover plate for an electrical outlet box support of FIG. 1.

FIG. 5 is a top elevational showing of the ornamental design for the cover plate for an electrical outlet box support of FIG. 1; and,

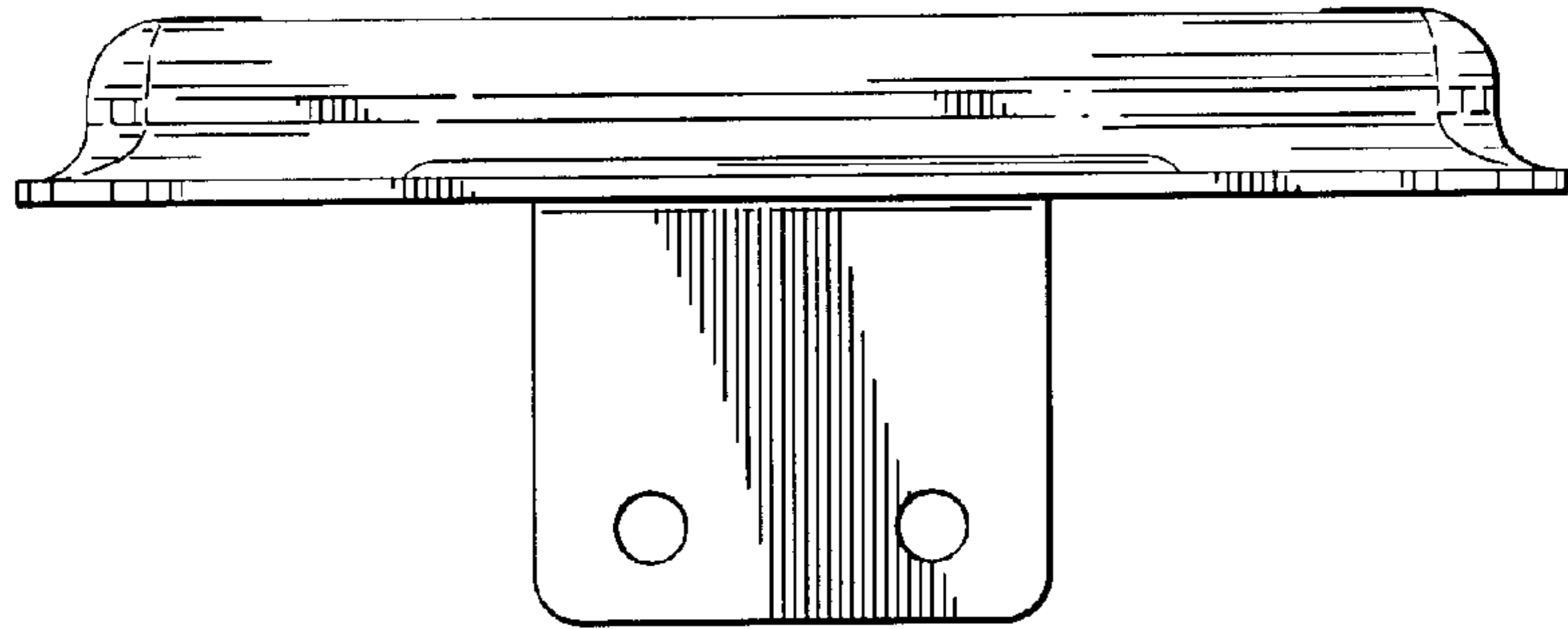
FIG. 6 is a bottom elevational showing of the ornamental design for the cover plate for an electrical outlet box support of FIG. 1.

**1 Claim, 4 Drawing Sheets**

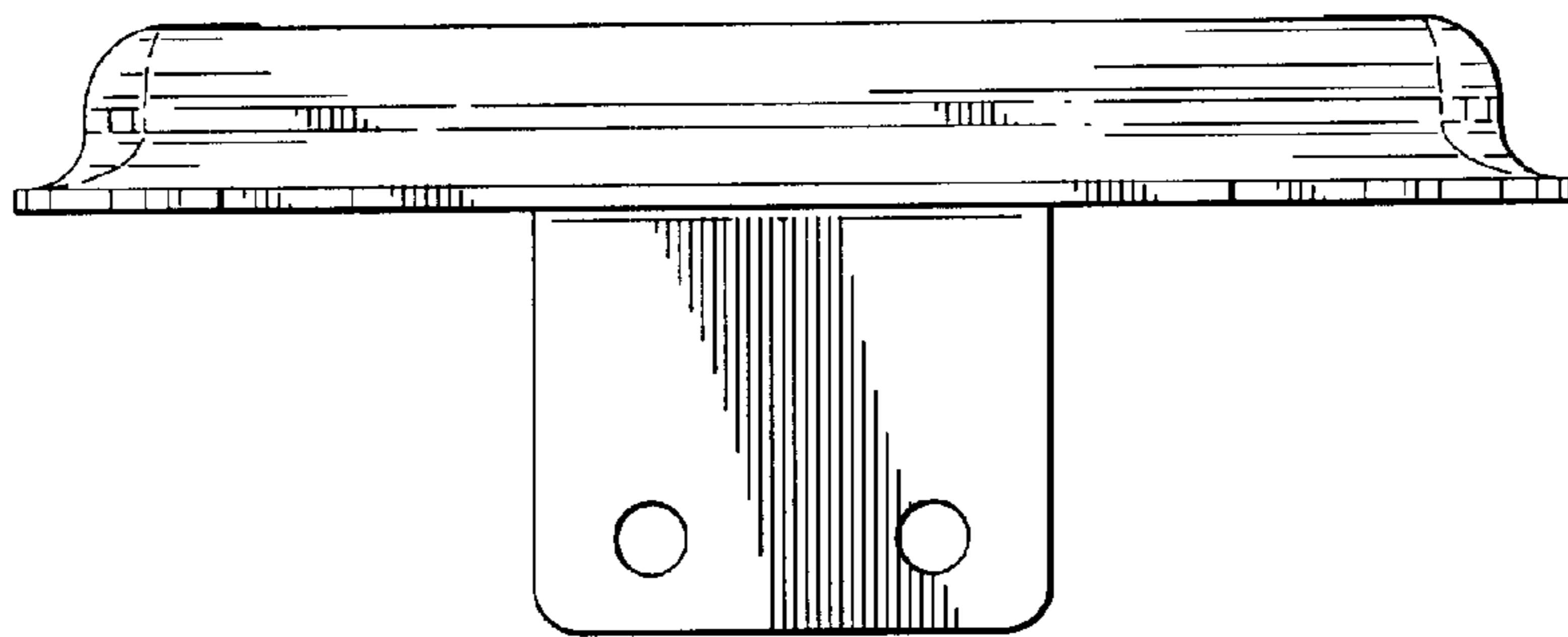




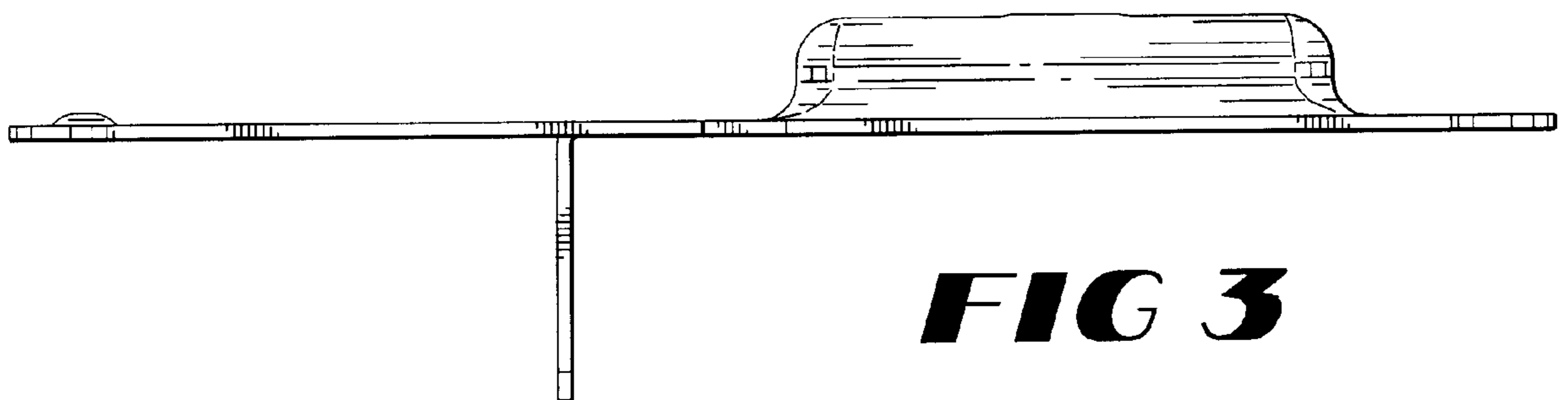
**FIG 1**



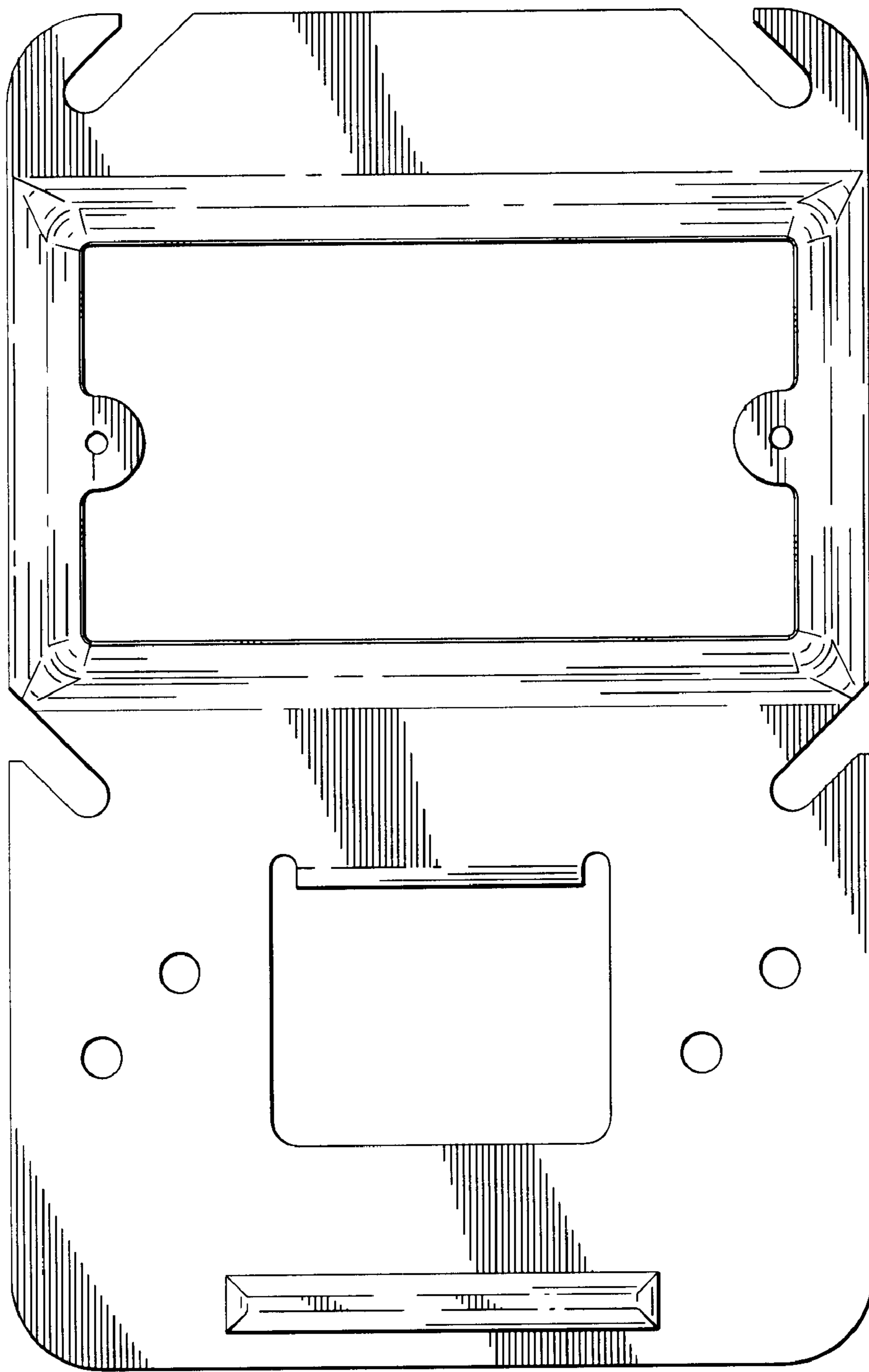
**FIG 2**



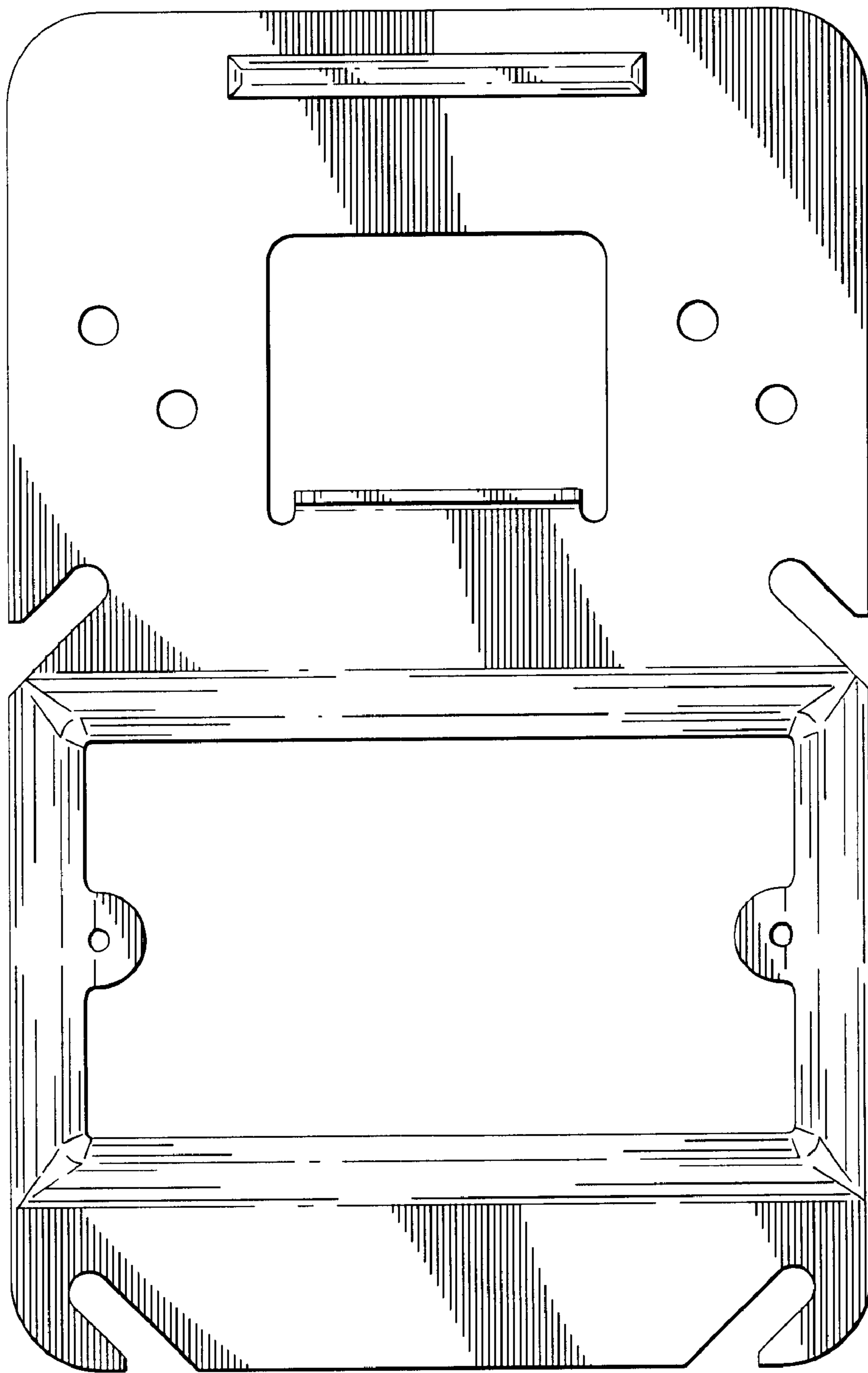
**FIG 4**



**FIG 3**



**FIG 5**



**FIG 6**