



US00D462938S

(12) **United States Design Patent** (10) **Patent No.:** **US D462,938 S**
Revak et al. (45) **Date of Patent:** **** Sep. 17, 2002**

(54) **JAR FOR INDUSTRIAL BATTERY**
(76) Inventors: **David M. Revak**, 1901 Greenstone Pl., High Point, NC (US) 27265; **Amy G. Stewart**, 1604 Simerson Rd., Linwood, NC (US) 27299

(**) **Term:** **14 Years**

(21) **Appl. No.:** **29/121,170**

(22) **Filed:** **Mar. 31, 2000**

(51) **LOC (7) Cl.** **13-02**

(52) **U.S. Cl.** **D13/119**

(58) **Field of Search** D13/119; D26/122;
429/163, 176, 177

(56) **References Cited**

U.S. PATENT DOCUMENTS

- D177,568 S * 5/1956 Hills D26/122
- 4,063,007 A * 12/1977 Spiegelberg 429/176
- 4,118,265 A * 10/1978 Hardigg 429/163 X
- 4,218,526 A * 8/1980 DiGiacomo et al. 429/138
- 4,276,360 A 6/1981 Hardigg et al.
- 4,380,577 A 4/1983 Hardigg
- 4,732,826 A * 3/1988 Hardigg 429/176
- 5,466,316 A 11/1995 Hardigg et al.
- 5,788,719 A 8/1998 Kump et al.
- 5,800,942 A * 9/1998 Hamada et al. 429/177 X
- 5,876,873 A 3/1999 Mattan

- 6,045,883 A * 4/2000 Akiyama et al. 429/176 X
- 6,102,356 A * 8/2000 Huntley et al. 248/500
- 6,127,064 A * 10/2000 Shibata et al. 429/163
- 6,210,829 B1 * 4/2001 Hardigg 429/163

FOREIGN PATENT DOCUMENTS

- EP 169179 * 1/1986 H01M/2/02
- JP 06275246 * 9/1994 H01M/2/02
- JP 09265966 * 10/1997 H01M/2/02
- JP 2000197913 * 7/2000 H01M/2/02

* cited by examiner

Primary Examiner—Joel Sincavage

(74) *Attorney, Agent, or Firm*—Adams, Schwartz & Evans, P.A.

(57) **CLAIM**

I claim the ornamental design for a jar for industrial battery, as shown and described.

DESCRIPTION

FIG. 1 is a perspective view of two sides of the invention; FIG. 2 is a view of the invention viewed 180 degrees from the direction of FIG. 1; FIG. 3 is a plan view of the bottom of the invention; FIG. 4 is a plan view of the top of the base; and, FIG. 5 is a top perspective view with most of the jar cut away to reveal the bottom, inside surface.

1 Claim, 4 Drawing Sheets

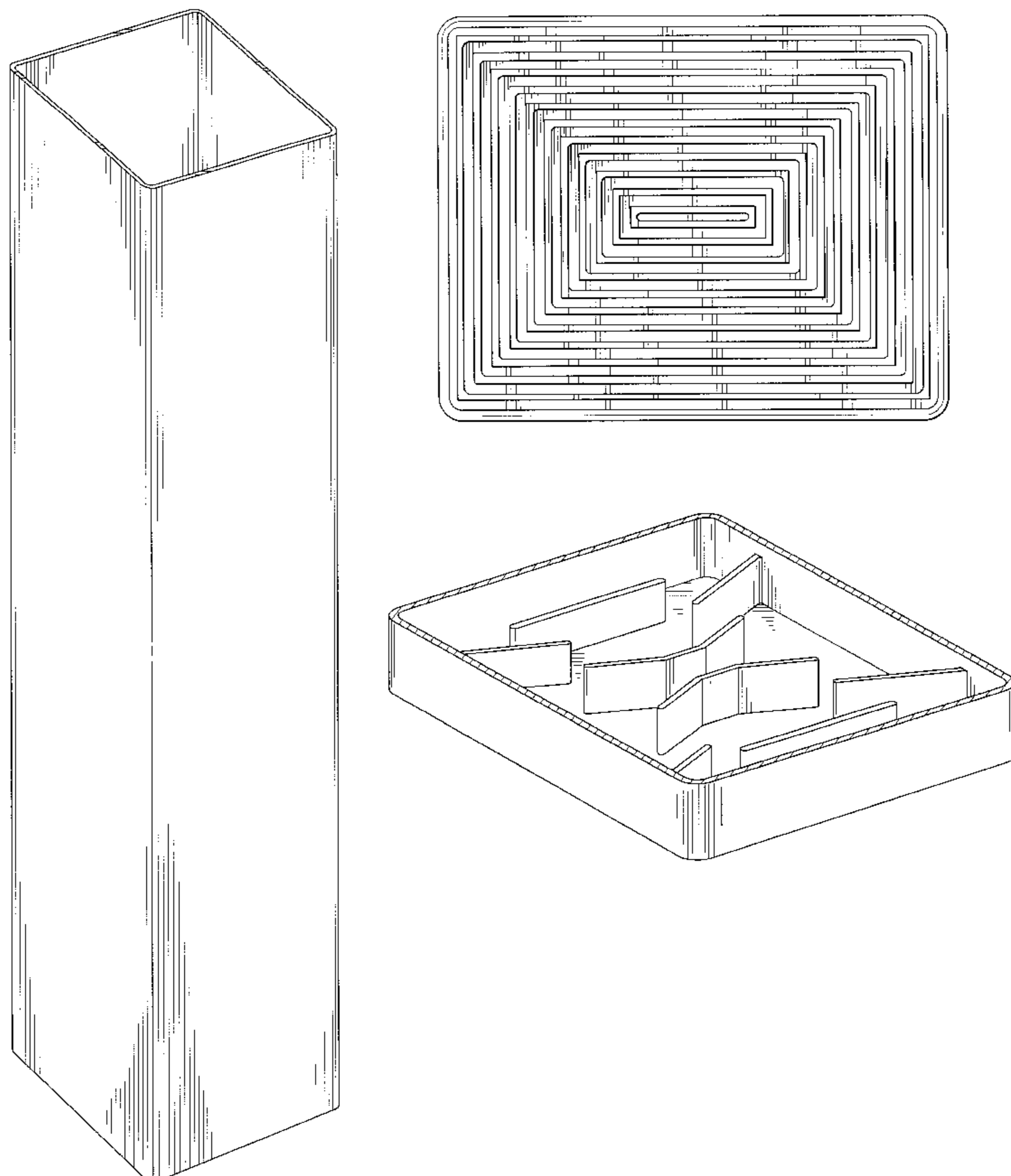


FIG. 1.

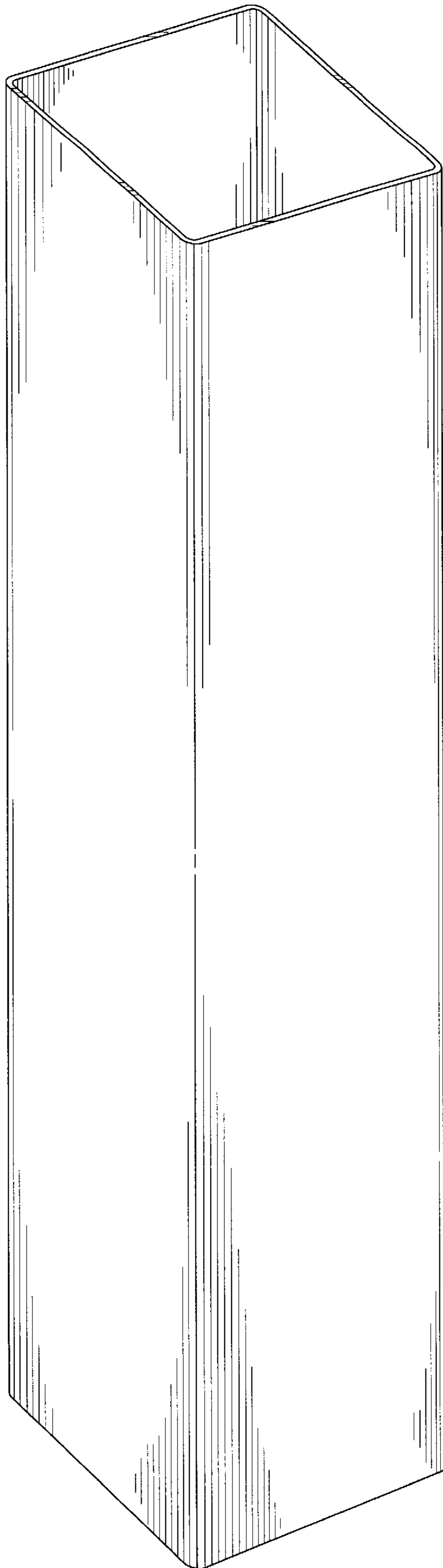
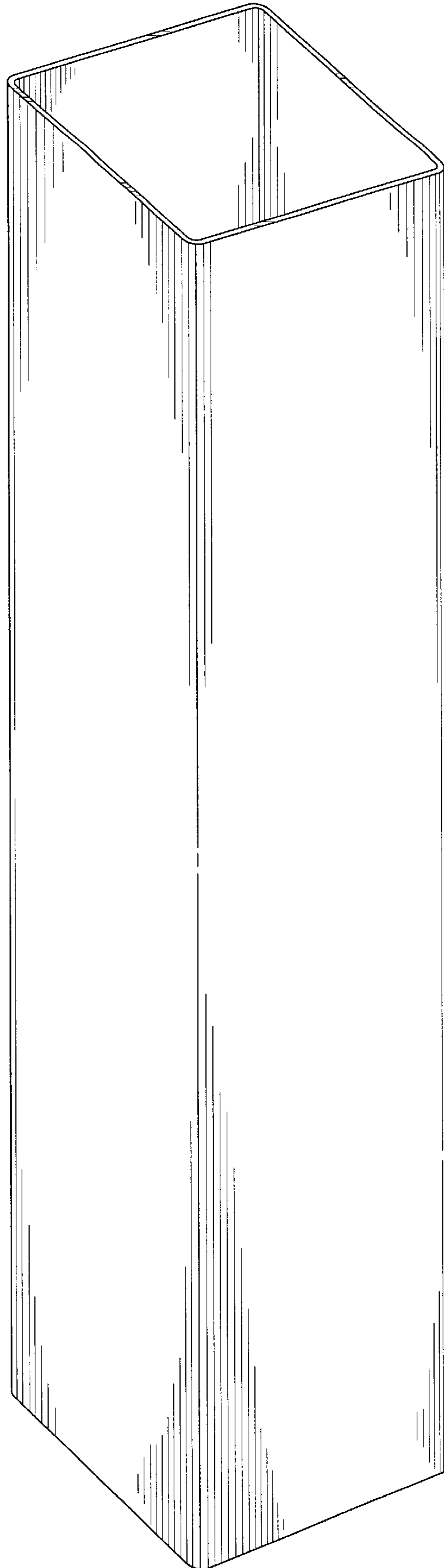


FIG. 2.



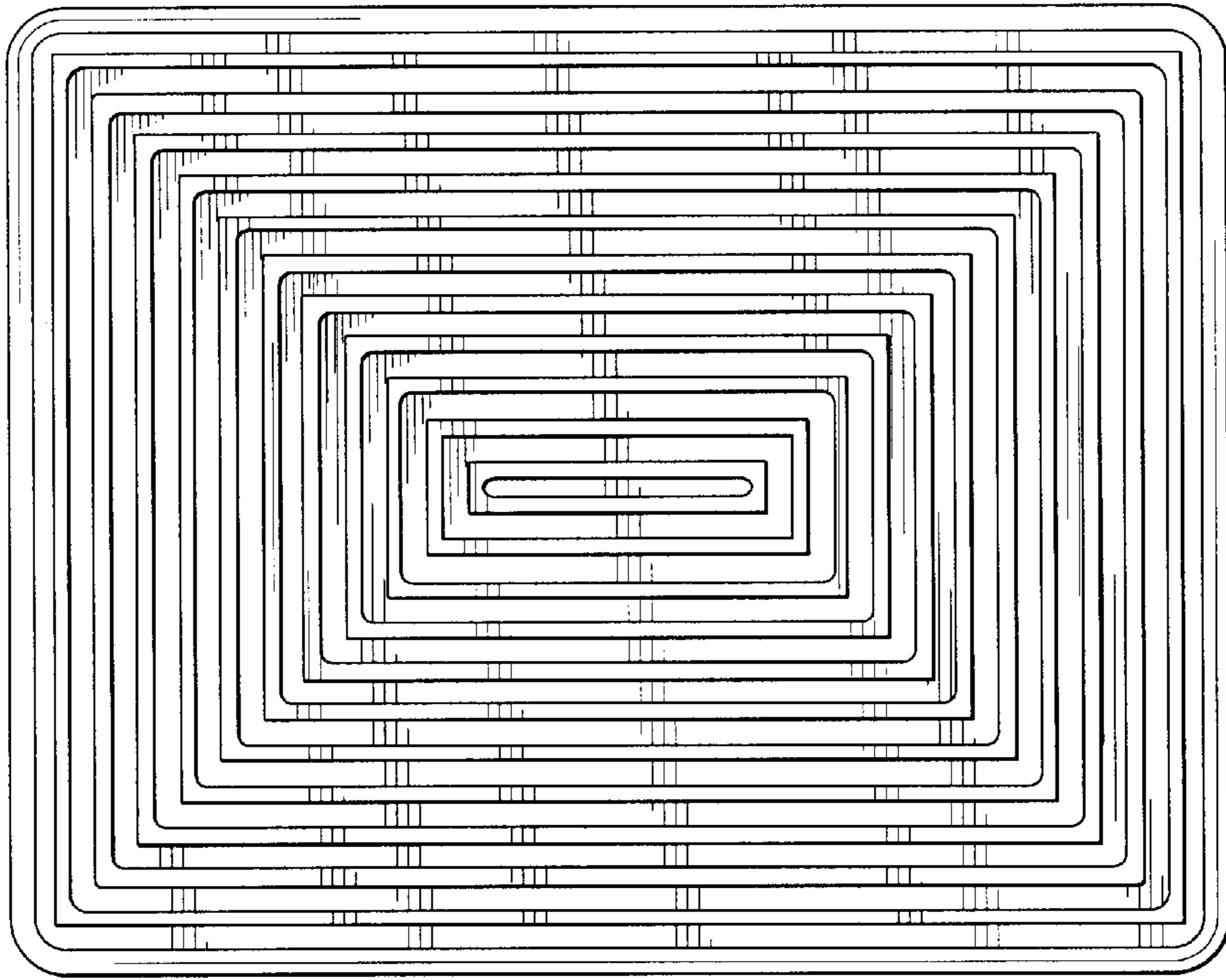


FIG. 3.

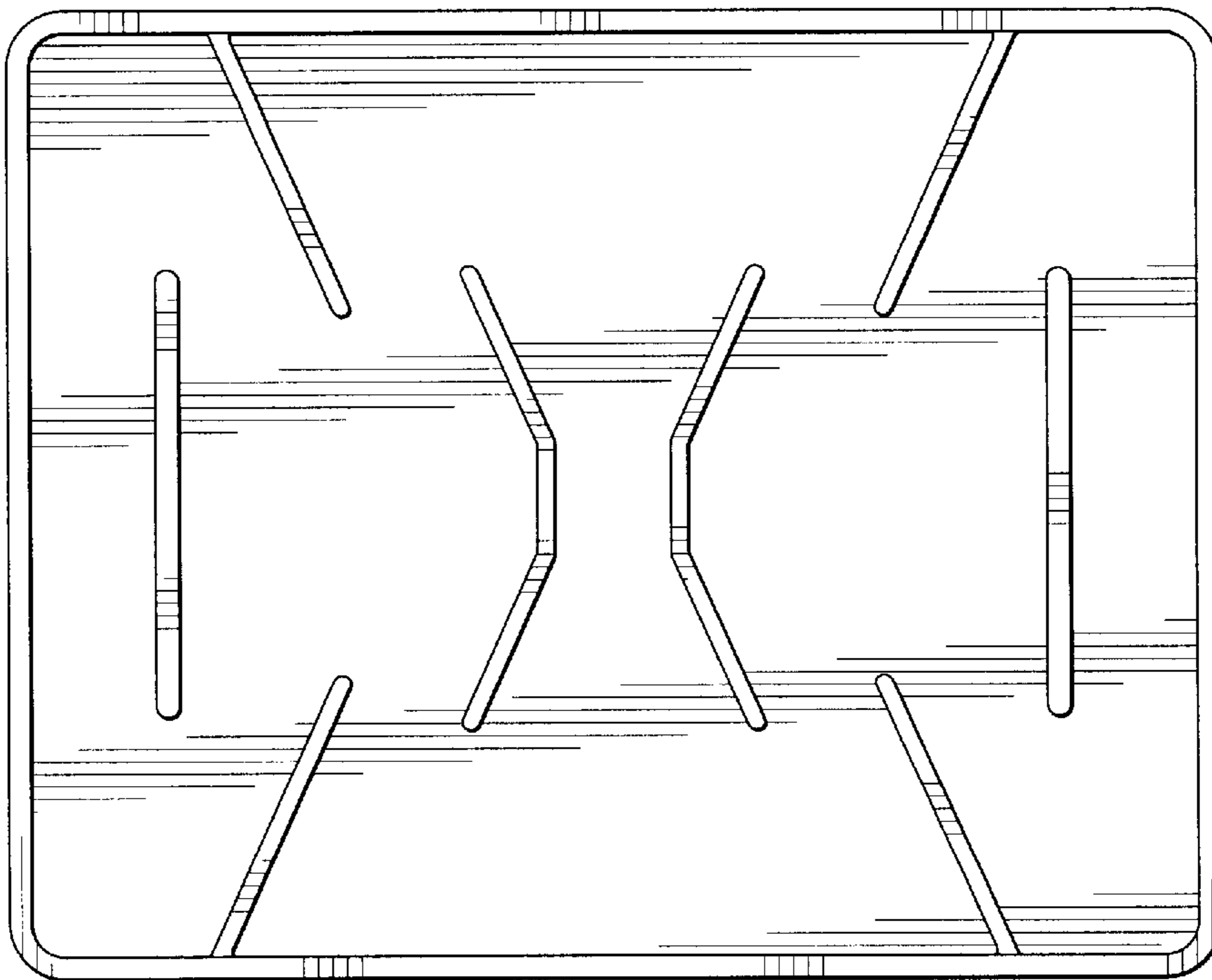


FIG. 4.

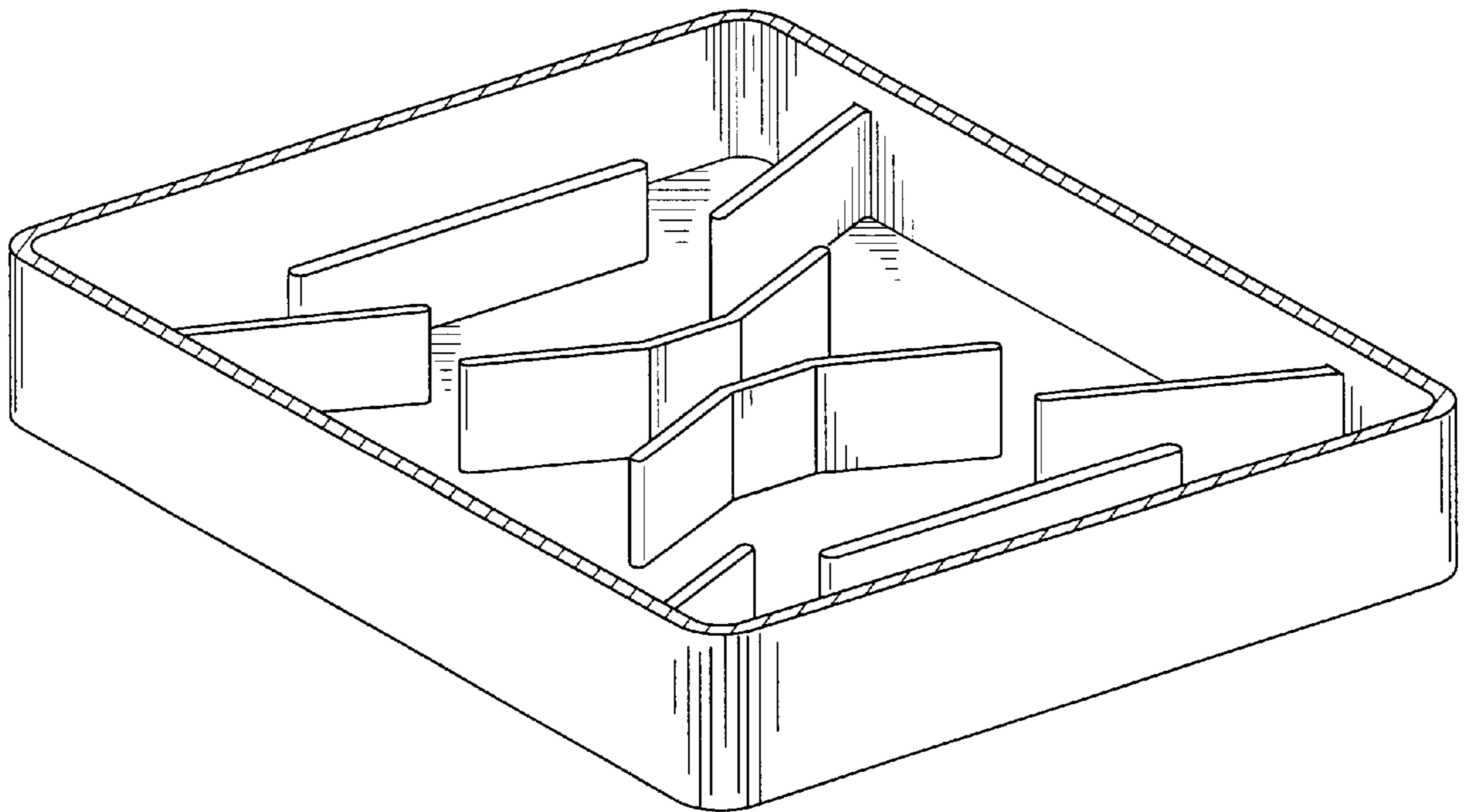


FIG. 5.