

US00D462934S

(12) **United States Design Patent**
Itakura et al.

(10) **Patent No.:** **US D462,934 S**

(45) **Date of Patent:** **** Sep. 17, 2002**

(54) **LUGGAGE BOX FOR TWO-WHEELED VEHICLE**

(75) Inventors: **Nobuyuki Itakura, Niiza (JP);
Kohsuke Kuroda, Niiza (JP)**

(73) Assignee: **Honda Access Corporation (JP)**

(**) Term: **14 Years**

(21) Appl. No.: **29/152,776**

(22) Filed: **Dec. 28, 2001**

(30) **Foreign Application Priority Data**

Oct. 19, 2001 (JP) 2001-030697

(51) **LOC (7) Cl.** **12-16**

(52) **U.S. Cl.** **D12/410**

(58) **Field of Search** D12/110, 407-410;
D3/273, 276, 281, 282; 180/219; 190/124-126;
224/400-435, 315

(56) **References Cited**

U.S. PATENT DOCUMENTS

D209,185 S * 11/1967 Lahti D12/410

D275,190 S * 8/1984 Gevert D12/410

D282,061 S * 1/1986 Abe D12/410

* cited by examiner

Primary Examiner—Alan P. Douglas

Assistant Examiner—Linda Brooks

(74) *Attorney, Agent, or Firm*—Akerman Senterfitt

(57) **CLAIM**

The ornamental design for a luggage box for two-wheeled vehicle, as shown and described.

DESCRIPTION

FIG. 1 is a front perspective view from above of a luggage box for two-wheeled vehicle, showing our new design;

FIG. 2 is a front view thereof;

FIG. 3 is a rear view thereof;

FIG. 4 is a top plan view thereof;

FIG. 5 is a bottom plan view thereof;

FIG. 6 is a left side view thereof;

FIG. 7 is a right side view thereof;

FIG. 8 is another perspective view thereof, with a lid being opened; and,

FIG. 9 is a rear perspective view thereof, with a grip being erected.

1 Claim, 5 Drawing Sheets

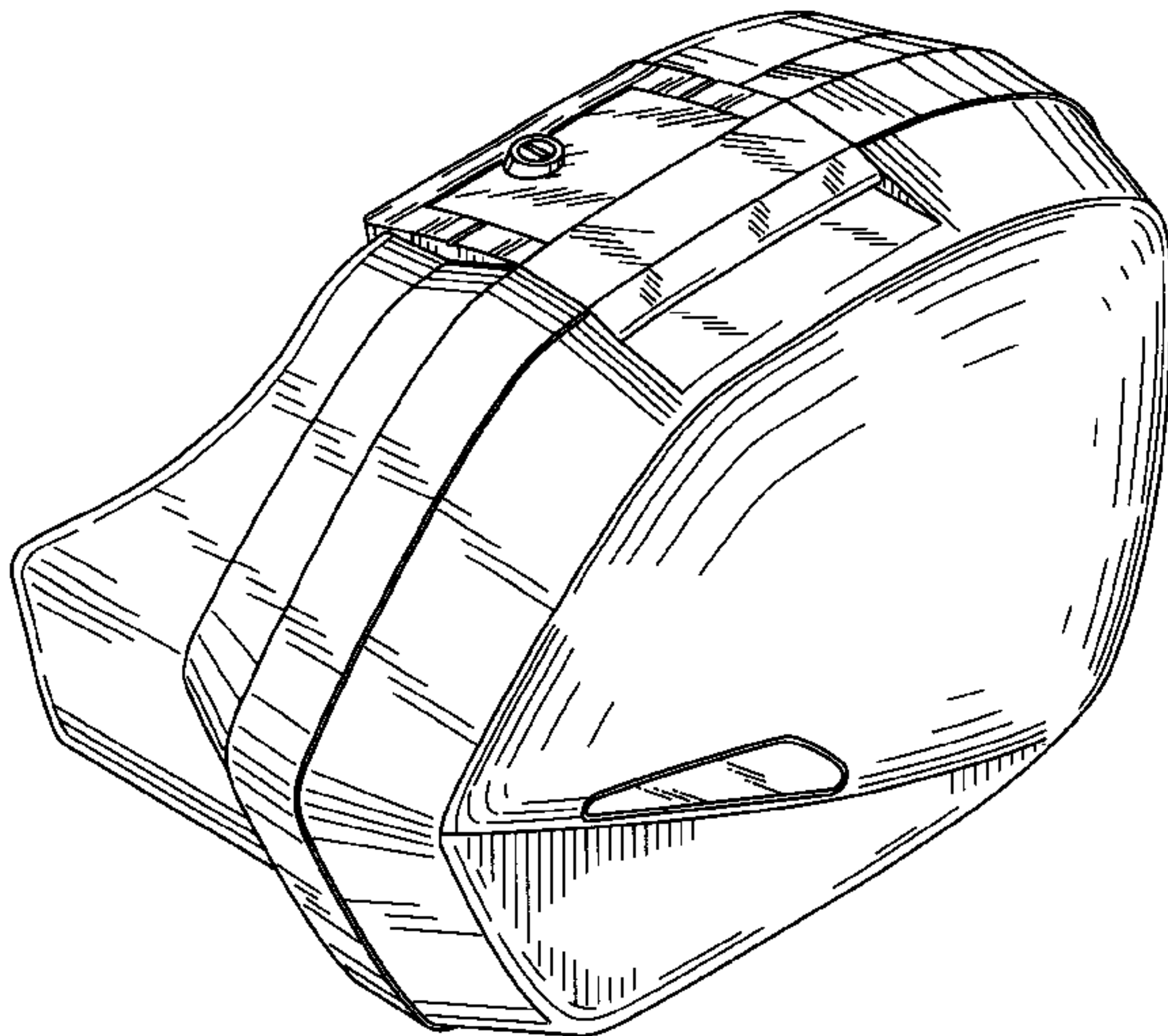


FIG. 1

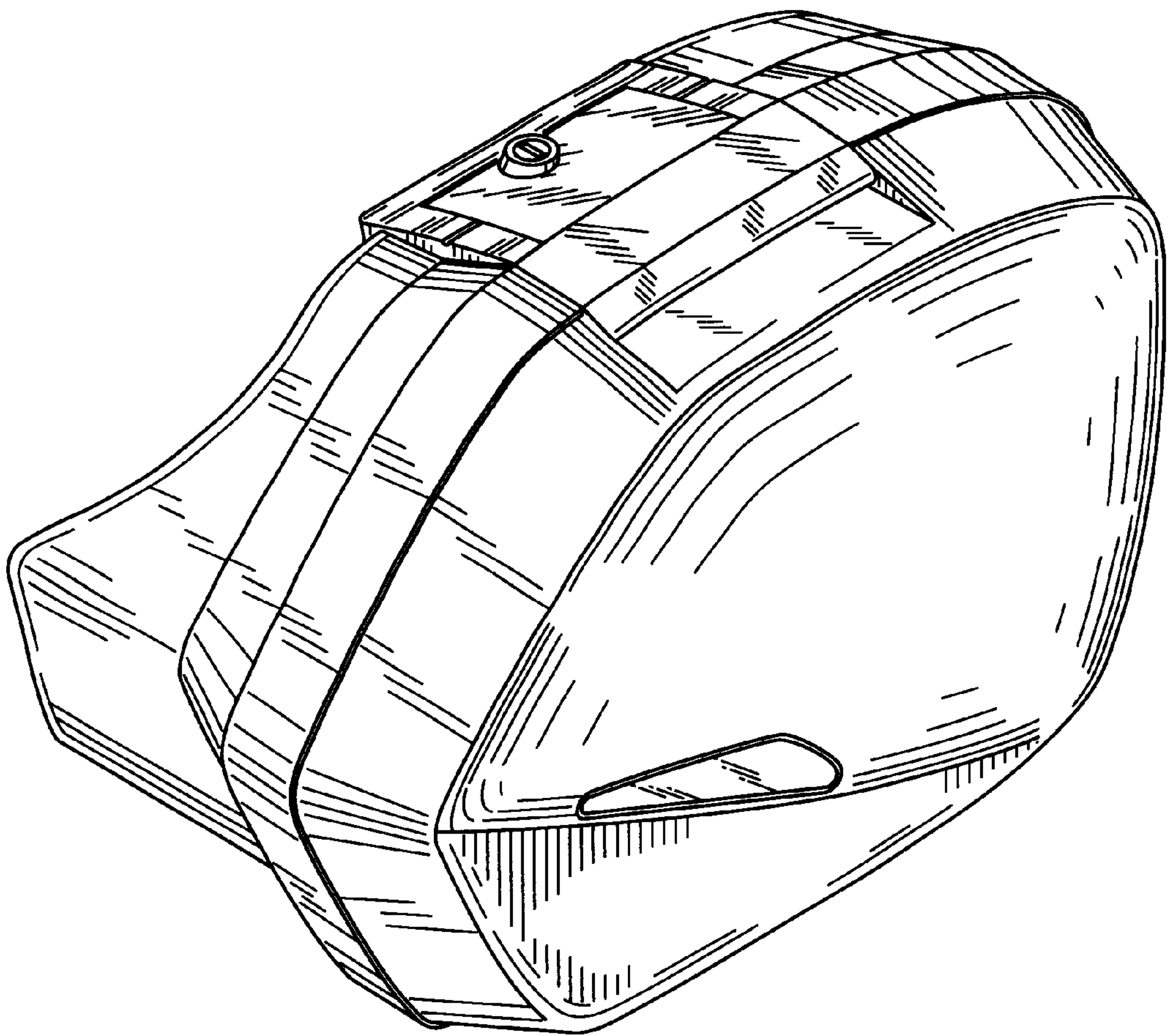


FIG. 2

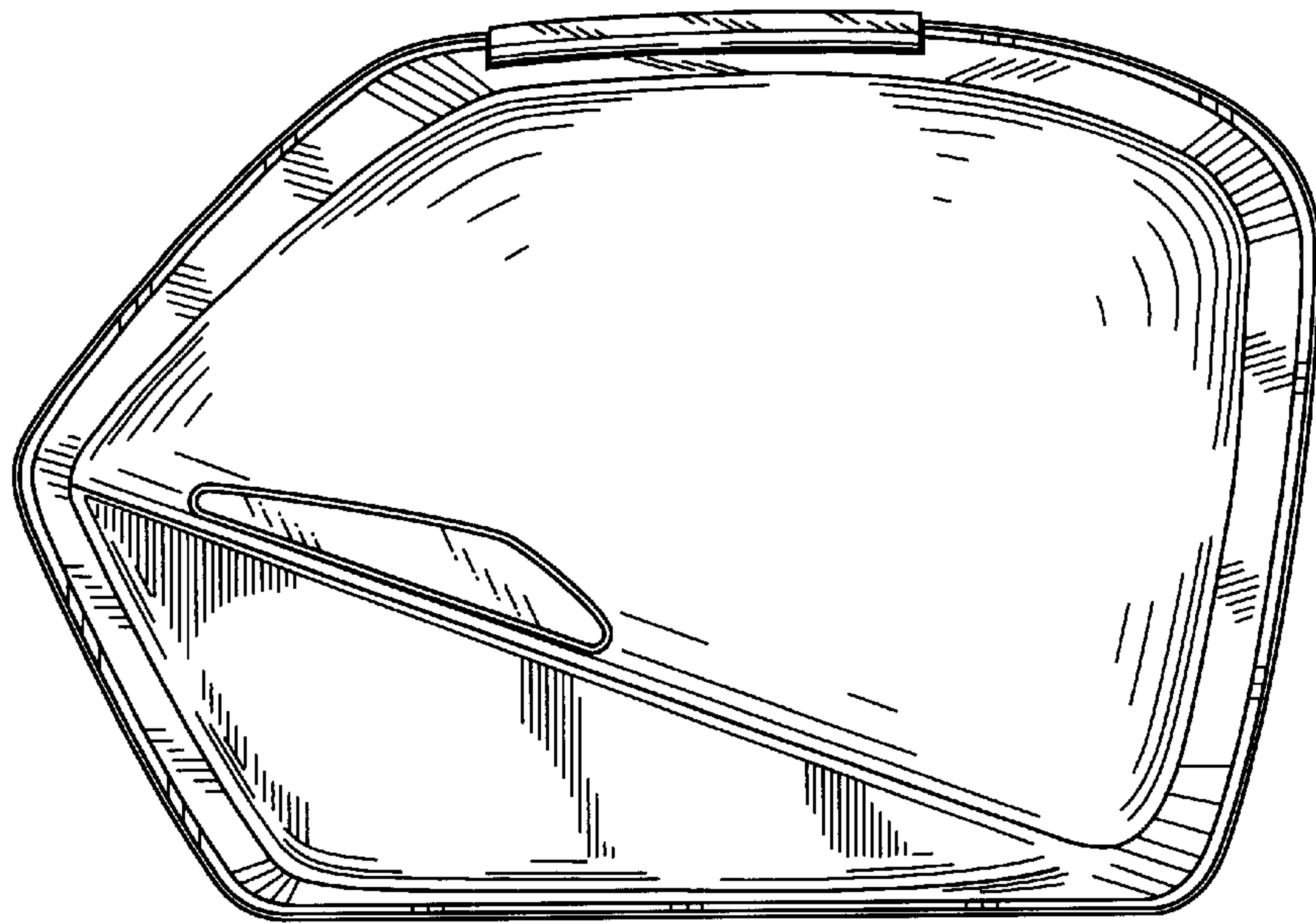


FIG. 3

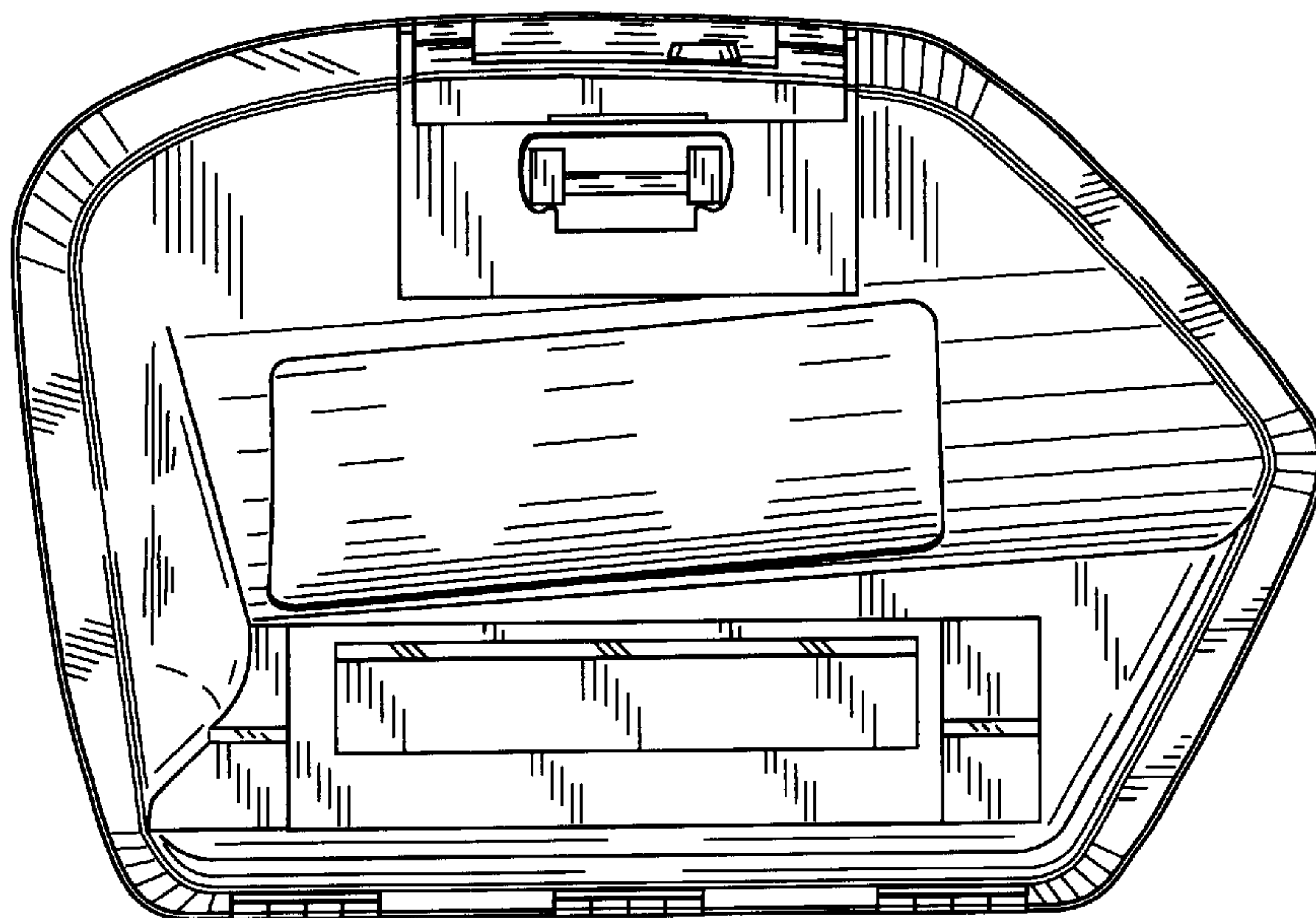


FIG. 4

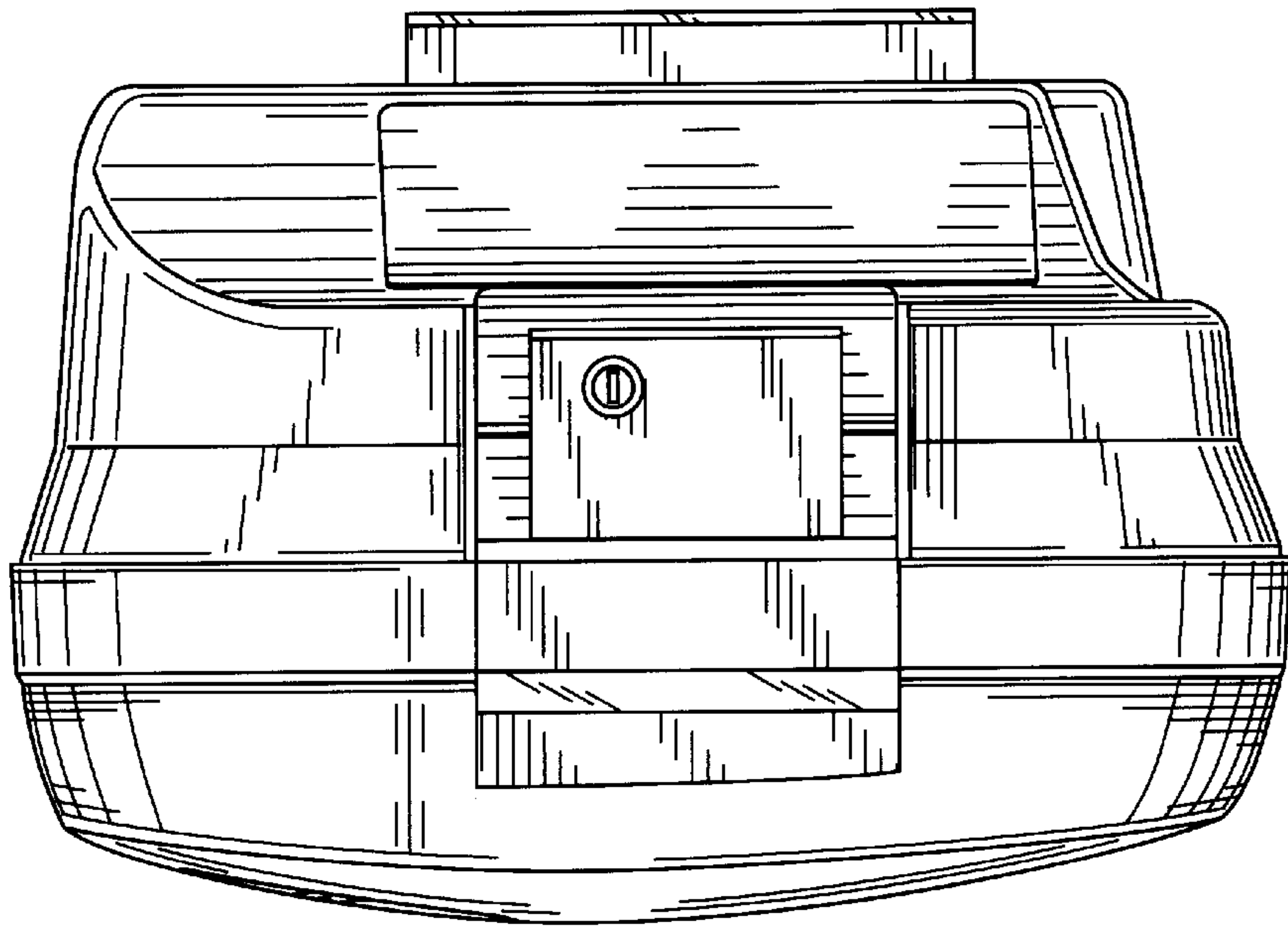


FIG. 5

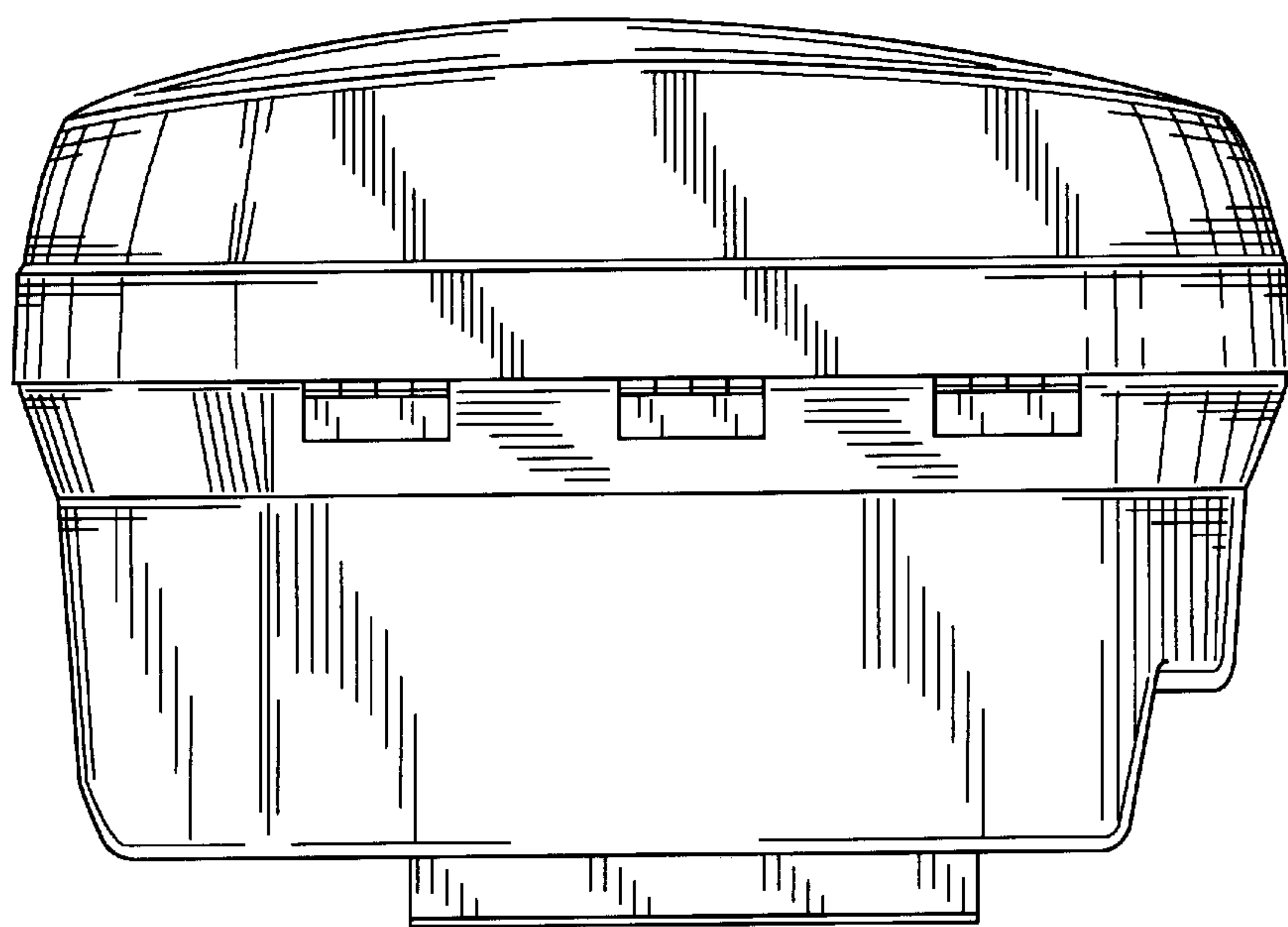


FIG. 6

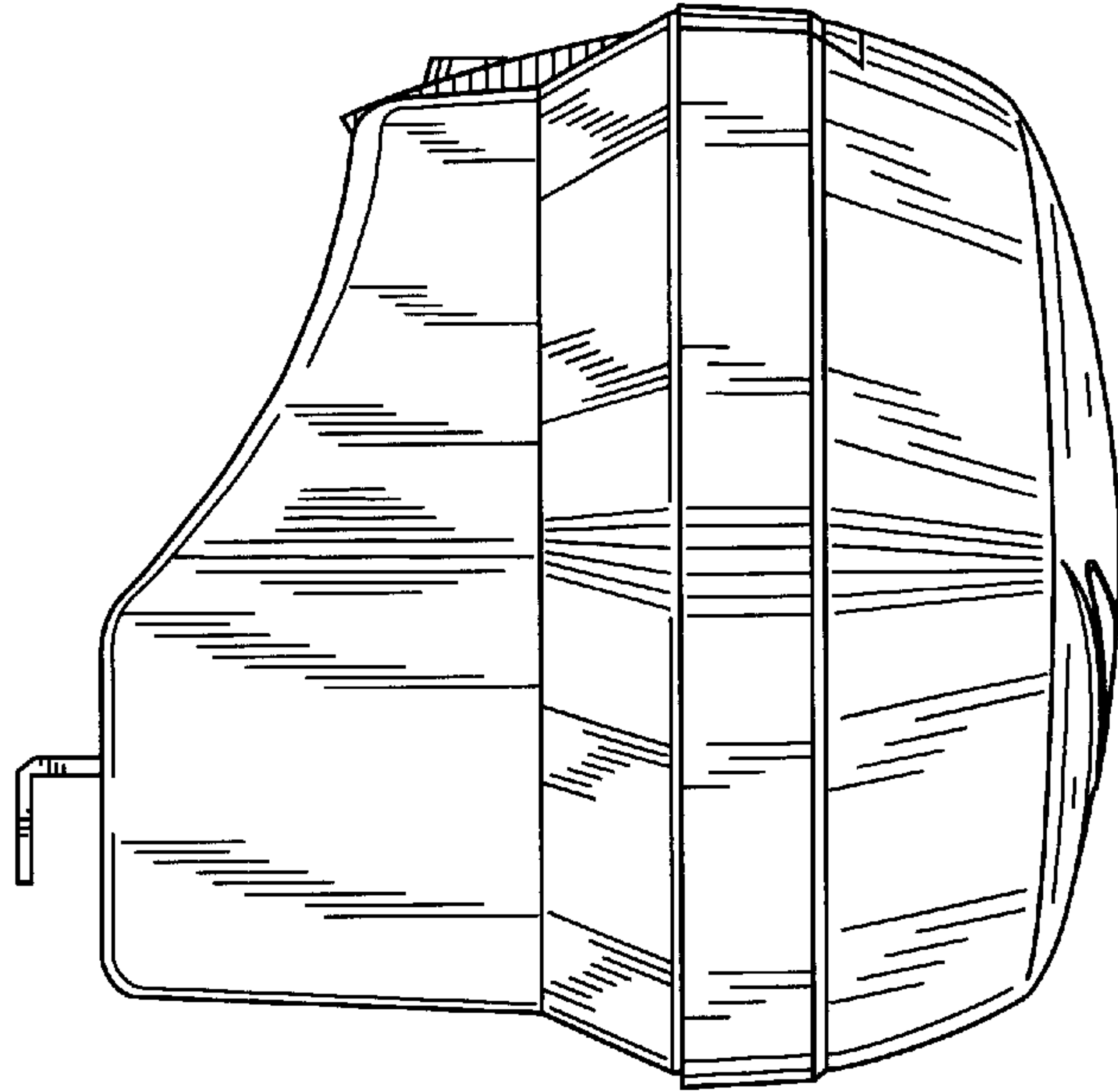


FIG. 7

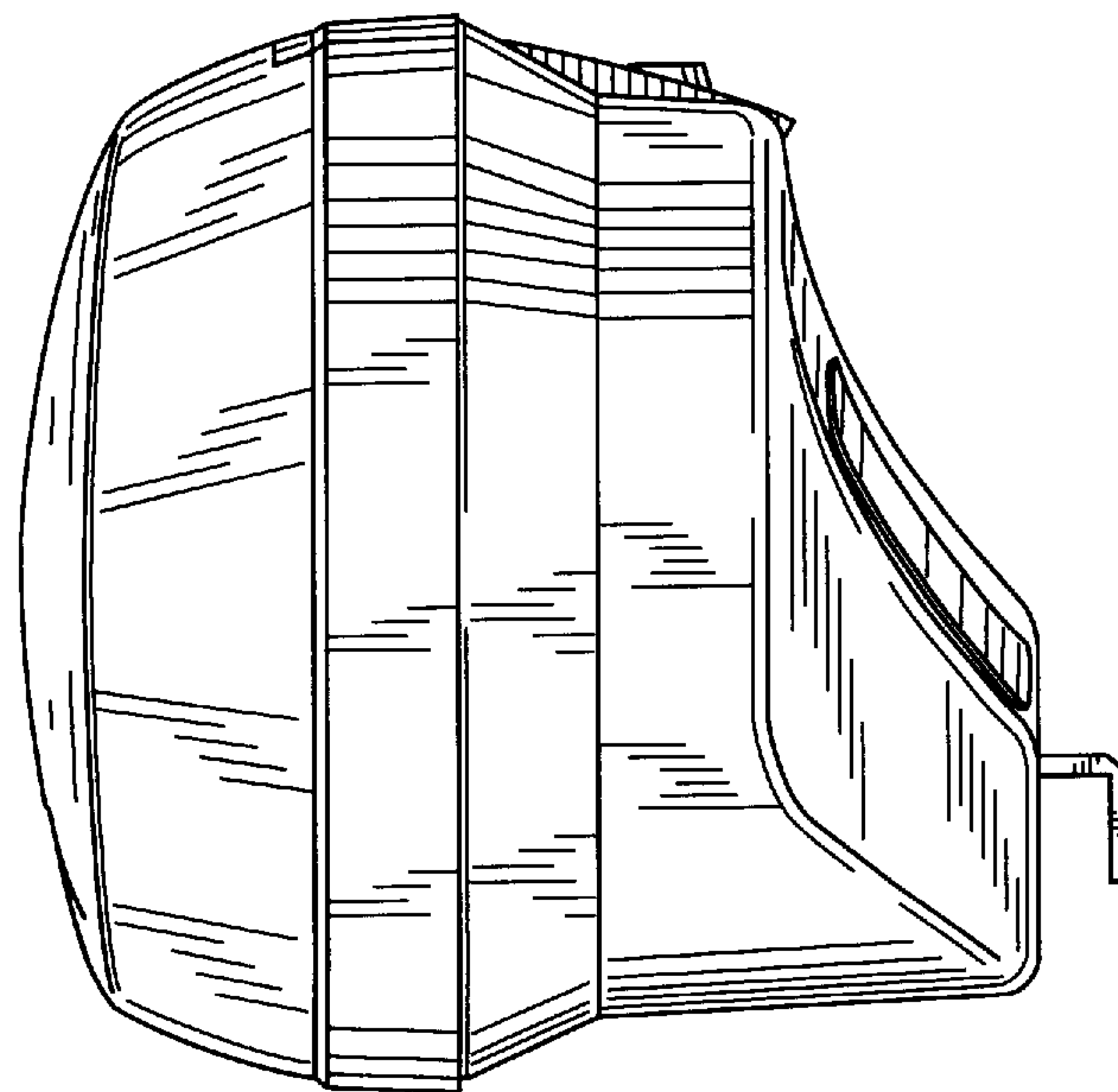


FIG. 8

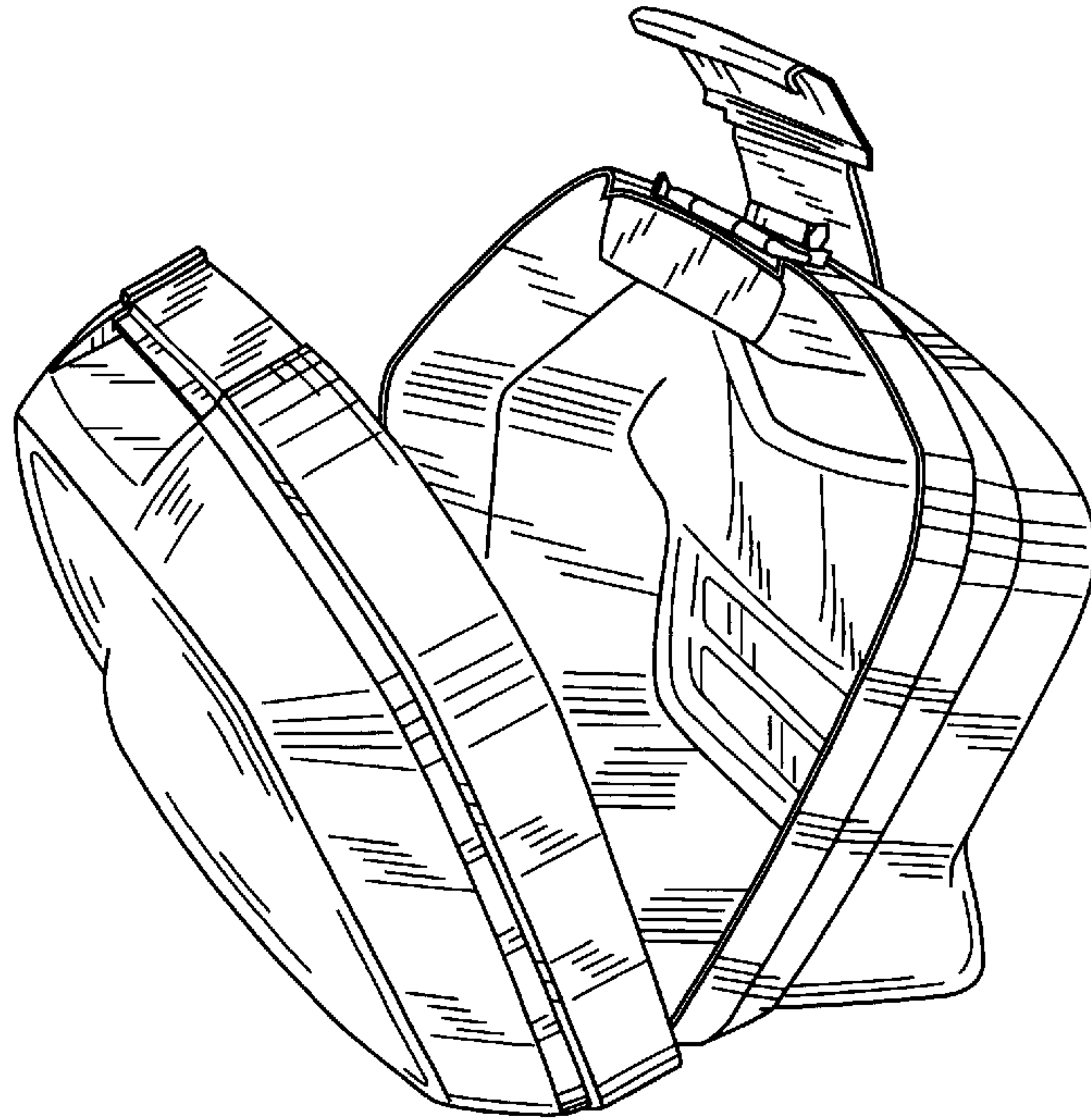


FIG. 9

