



US00D462930S

(12) **United States Design Patent**  
**McCoy et al.**

(10) **Patent No.:** **US D462,930 S**

(45) **Date of Patent:** **\*\* Sep. 17, 2002**

(54) **MOUNTING BRACKET FOR VEHICLE ACCESSORY**

D429,208 S \* 8/2000 McCoy et al. .... D12/223  
D449,268 S \* 10/2001 Hanson ..... D12/223

(75) Inventors: **Richard W. McCoy**, Granger, IN (US);  
**Thomas W. Lindenman**, South Bend, IN (US)

\* cited by examiner

*Primary Examiner*—Melody N. Brown  
(74) *Attorney, Agent, or Firm*—King & Schickli, PLLC

(73) Assignee: **Reese Products, Inc.**, Elkhart, IN (US)

(57) **CLAIM**

(\*\*) Term: **14 Years**

The ornamental design of a mounting bracket for vehicle accessory, as shown and described.

(21) Appl. No.: **29/149,116**

**DESCRIPTION**

(22) Filed: **Oct. 3, 2001**

(51) **LOC (7) Cl.** ..... **12-06**

(52) **U.S. Cl.** ..... **D12/223**

(58) **Field of Search** ..... D12/223, 114;  
D8/349, 354, 366, 375; 248/27.1, 229,  
300

FIG. 1 is a perspective view of the mounting bracket for vehicle accessory of the present invention;  
FIG. 2 is a right side elevational view thereof, the left side elevational view being a substantial mirror image thereof;  
FIG. 3 is a rear elevational view thereof;  
FIG. 4 is a front elevational view thereof;  
FIG. 5 is a top plan view thereof; and,  
FIG. 6 is a bottom plan view thereof.

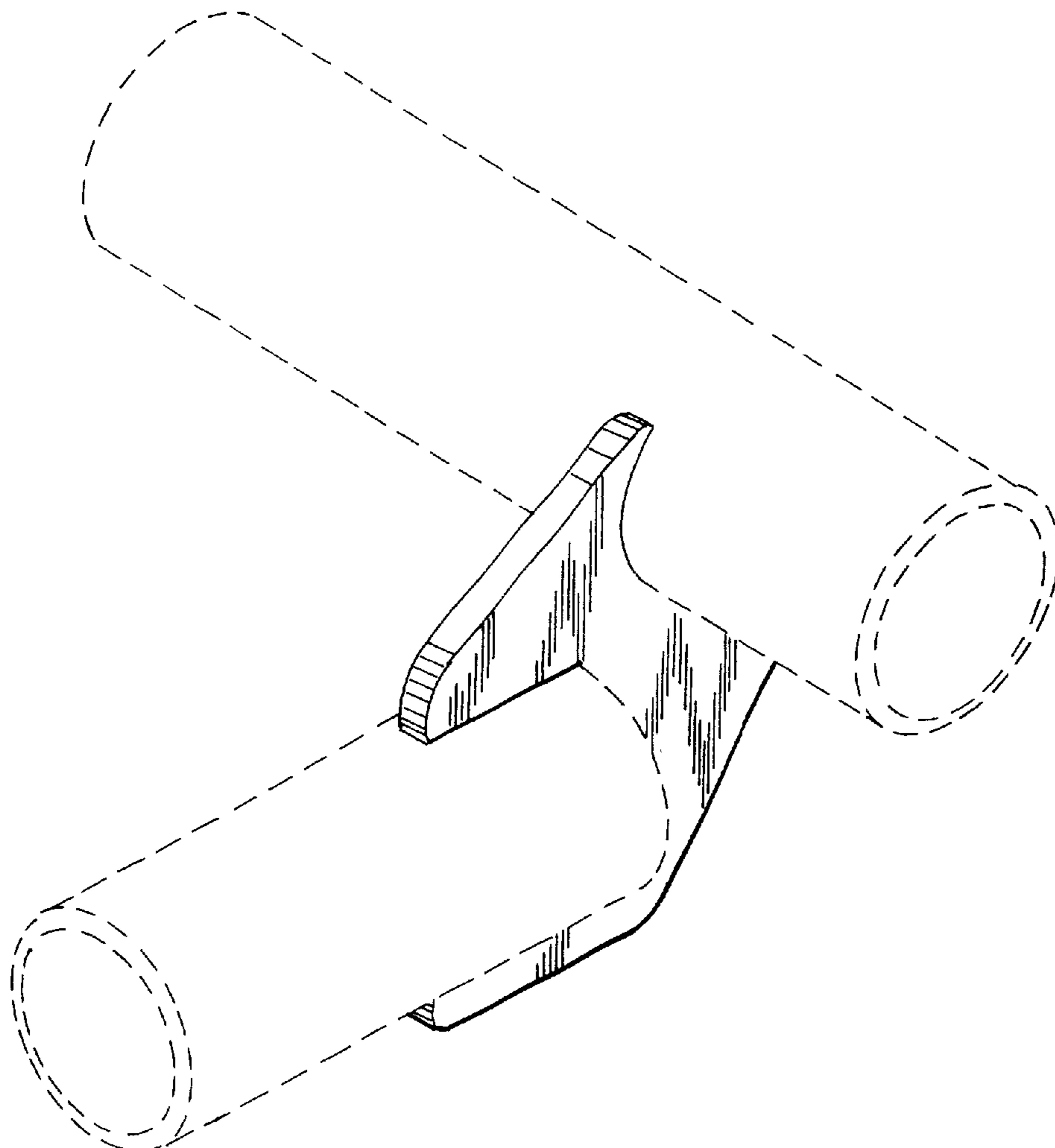
(56) **References Cited**

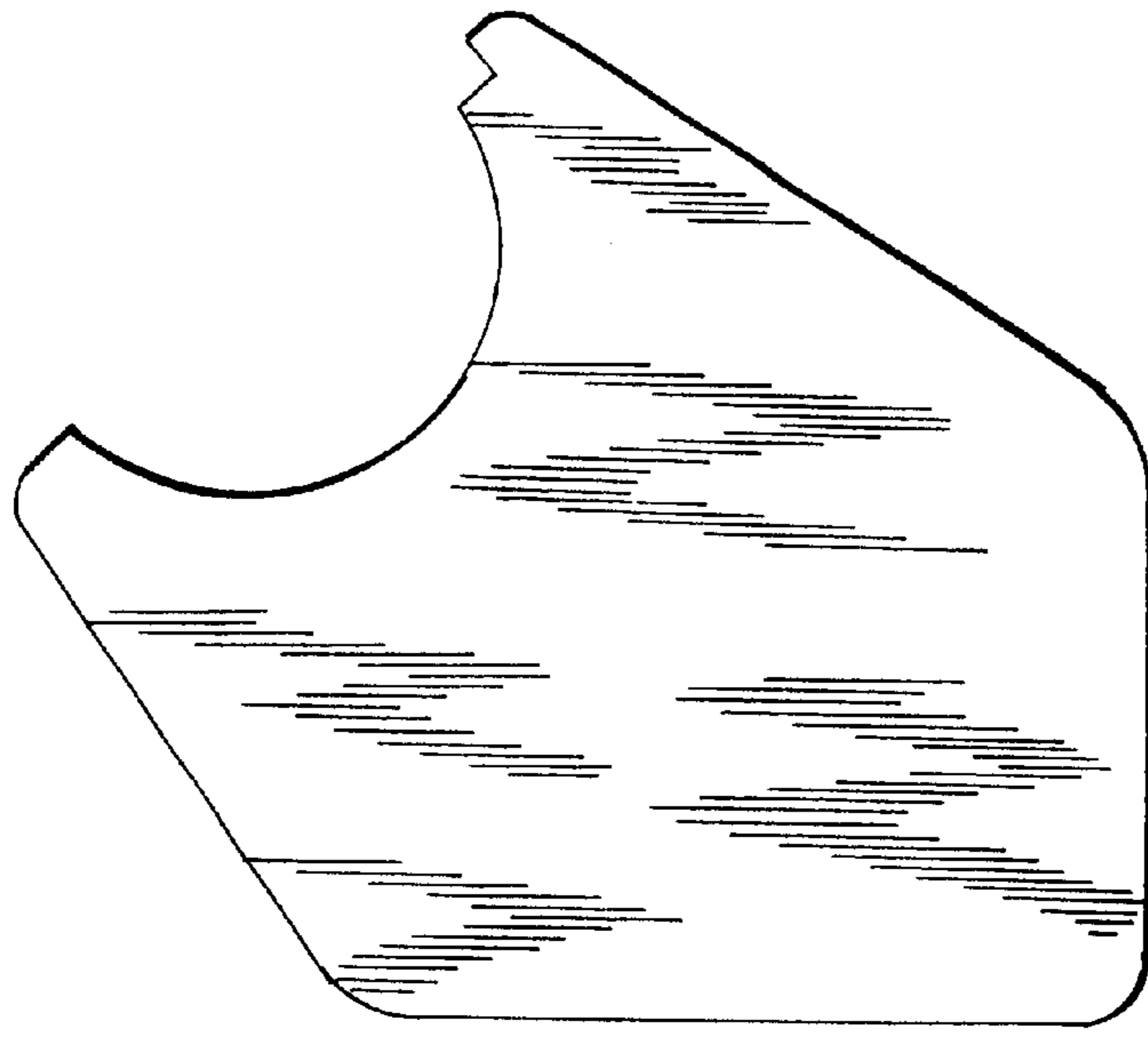
The broken lines shown in FIG. 1 are for illustrative purposes only and form no part of the claimed design.

**U.S. PATENT DOCUMENTS**

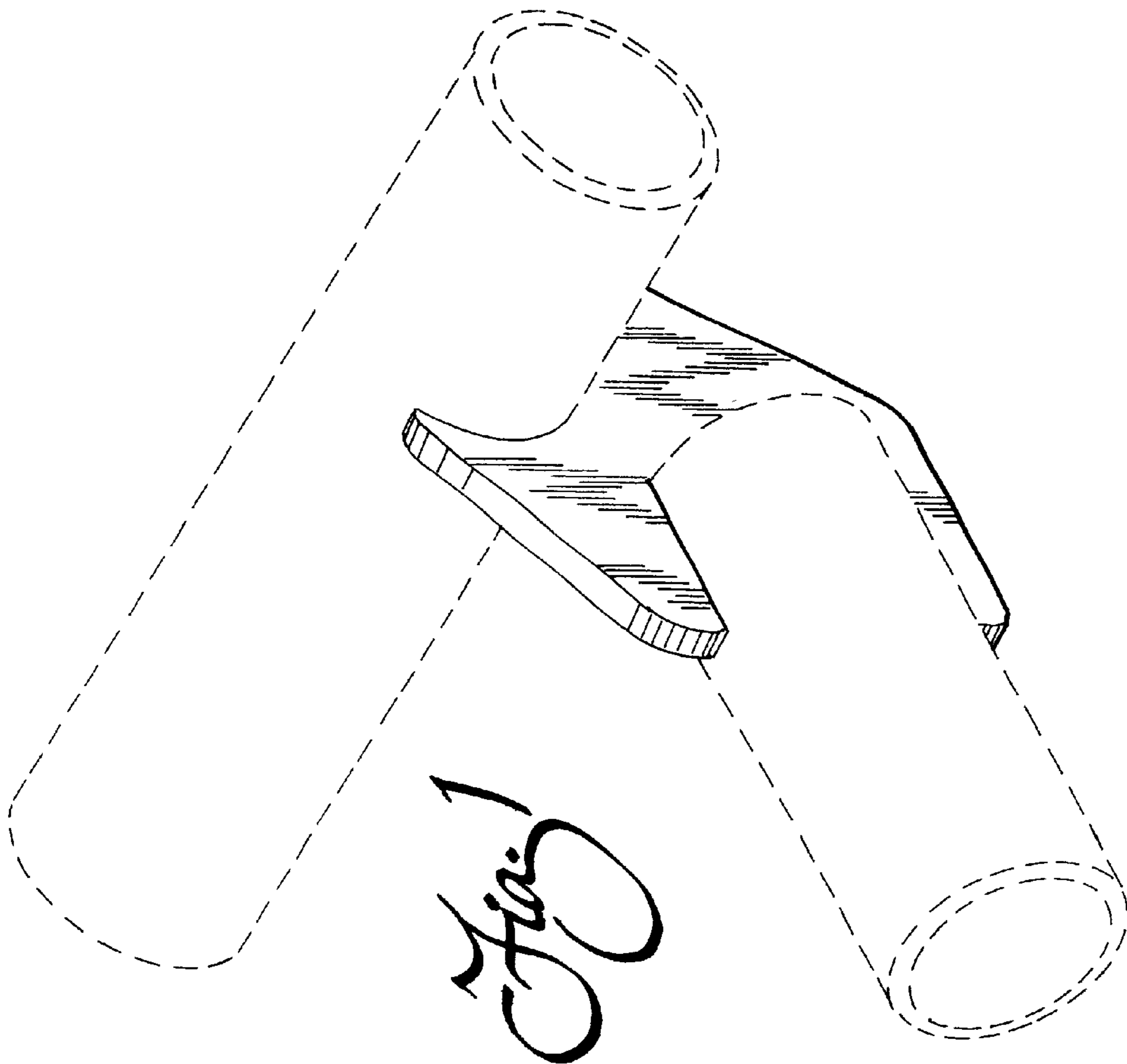
5,620,198 A 4/1997 Borchers

**1 Claim, 2 Drawing Sheets**

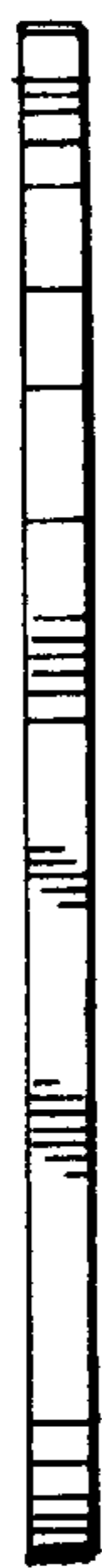




*Fig. 2*



*Fig. 1*



*Fig. 3*



*Fig. 4*



*Fig. 5*



*Fig. 6*