



US00D462926S

(12) **United States Design Patent**
Pfeiffer et al.

(10) **Patent No.:** **US D462,926 S**

(45) **Date of Patent:** **** Sep. 17, 2002**

(54) **SURFACE CONFIGURATION OF A VEHICLE AND/OR TOY**

(75) Inventors: **Peter Pfeiffer**, Boeblingen (DE);
Hans-Dieter Futschik, Gechingen (DE)

(73) Assignee: **DaimlerChrysler AG**, Stuttgart (DE)

(**) Term: **14 Years**

(21) Appl. No.: **29/139,932**

(22) Filed: **Apr. 10, 2001**

(51) **LOC (7) Cl.** **12-08**

(52) **U.S. Cl.** **D12/92**

(58) **Field of Search** D12/90-92; D21/424,
D21/433; 296/185

(56) **References Cited**

U.S. PATENT DOCUMENTS

D419,488 S	*	1/2000	Sacco et al.	D12/92
D433,653 S	*	11/2000	Sacco et al.	D12/92
D439,550 S	*	3/2001	Sacco et al.	D12/92

* cited by examiner

Primary Examiner—Melody N. Brown

(74) *Attorney, Agent, or Firm*—Crowell & Moring LLP

(57) **CLAIM**

The ornamental design for a surface configuration of a vehicle and/or toy, as shown and described.

DESCRIPTION

FIG. 1 is a perspective view from the front left of a surface configuration of a vehicle and/or toy according to our novel design, the perspective view from the front right being mirror symmetrical;

FIG. 2 is a left side view of the surface configuration of a vehicle and/or toy according to our novel design;

FIG. 3 is a right side view of the surface configuration of a vehicle and/or toy according to our novel design;

FIG. 4 is a front view of the surface configuration of a vehicle and/or toy according to our novel design;

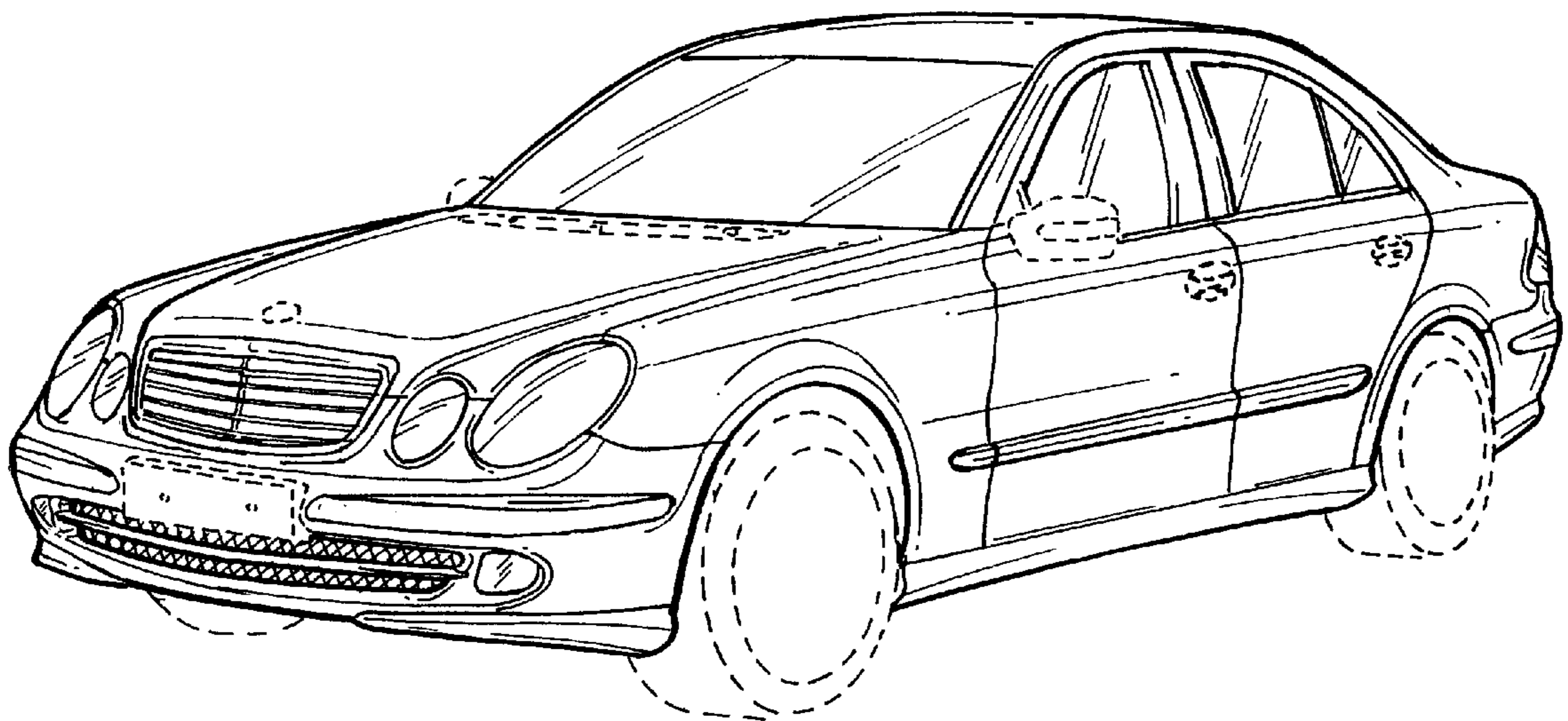
FIG. 5 is a perspective view from the rear left of the surface configuration of a vehicle and/or toy according to our novel design, the perspective view from the rear right being mirror symmetrical;

FIG. 6 is a rear view of the surface configuration of a vehicle and/or toy according to our novel design; and,

FIG. 7 is a top view of the surface configuration of a vehicle and/or toy according to our novel design.

The broken lines included depict environment and are not part of the claimed design.

1 Claim, 5 Drawing Sheets



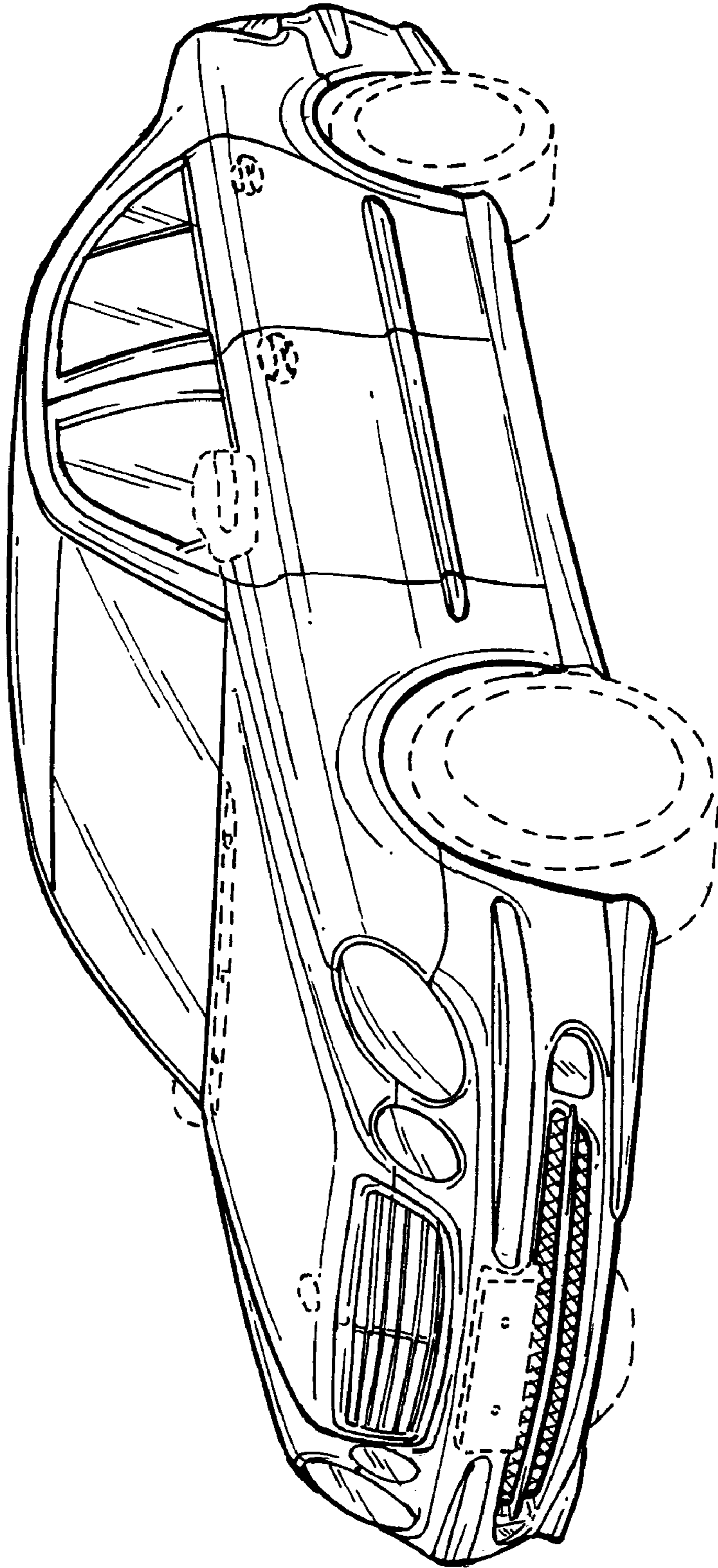


FIG. 1

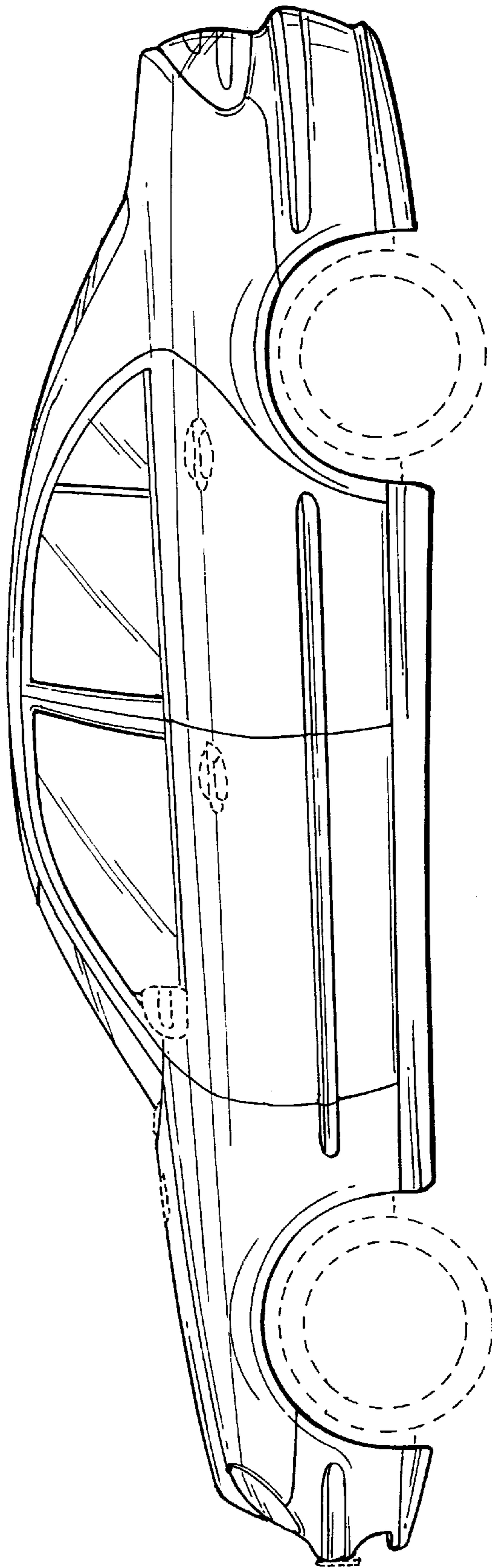


FIG. 2

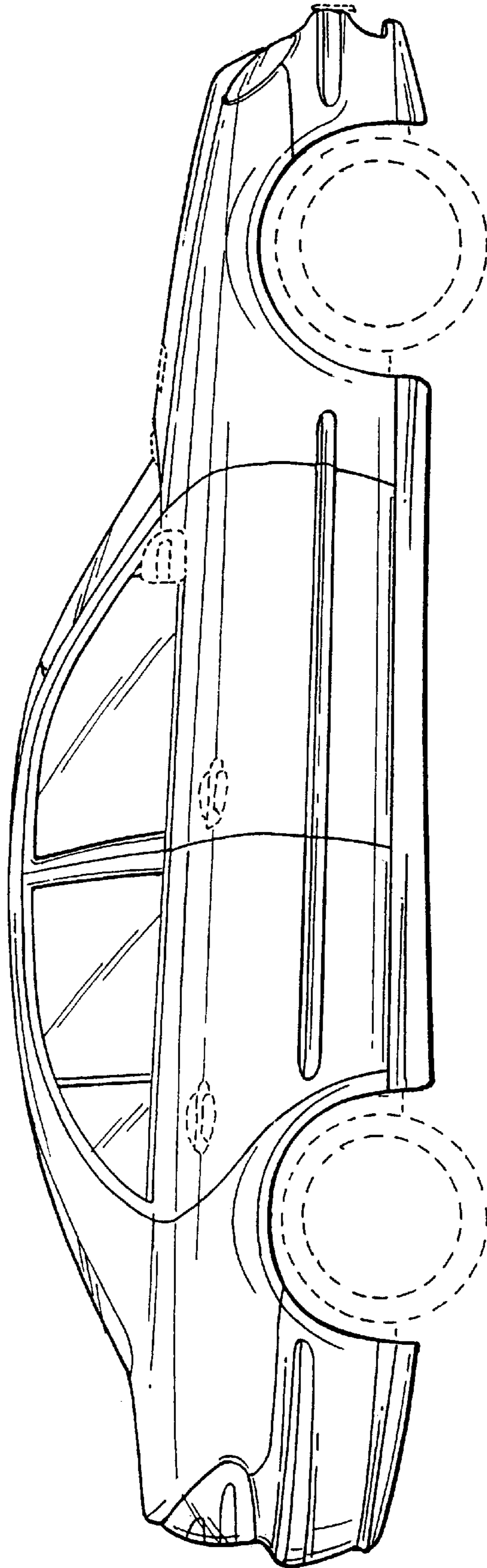


FIG. 3

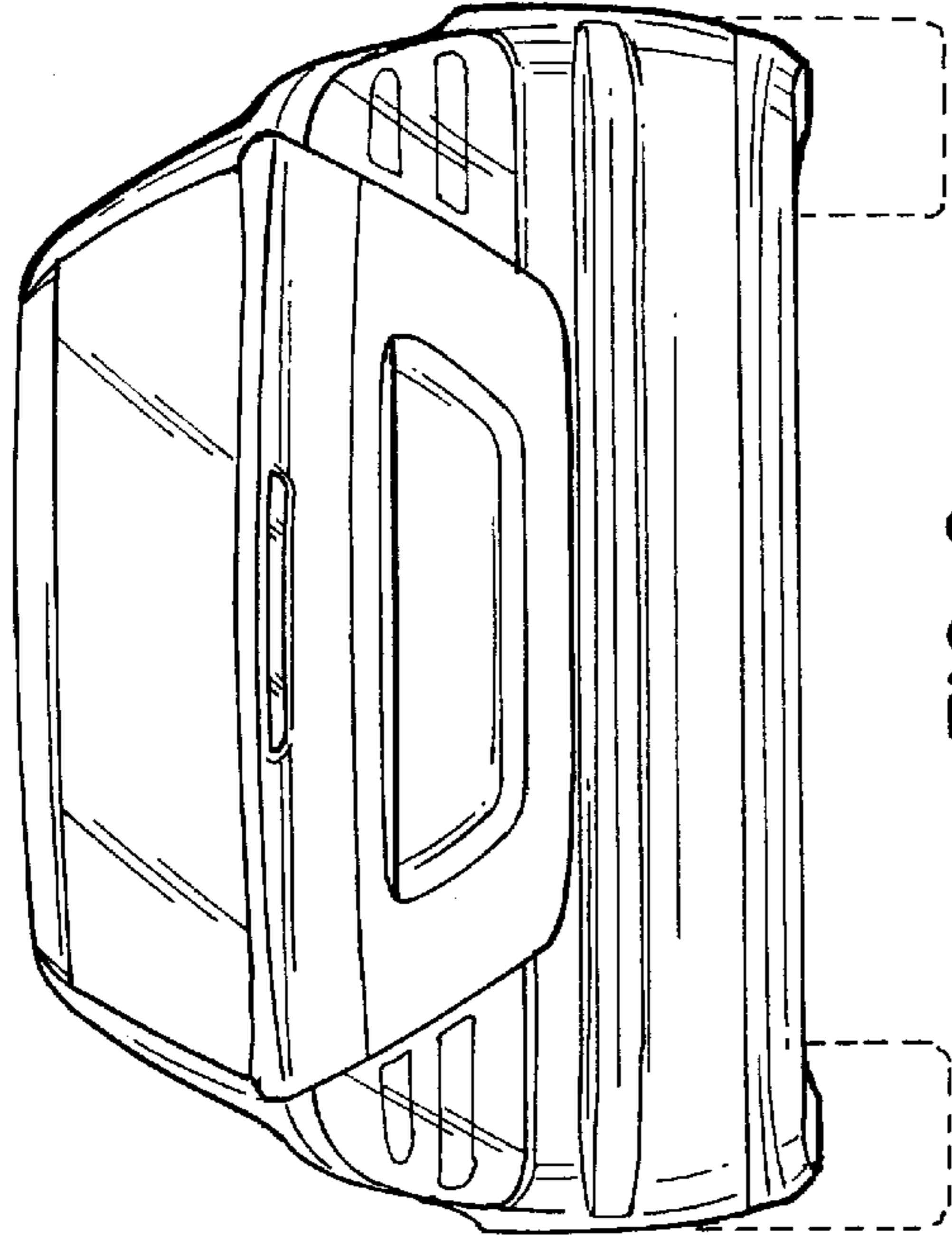


FIG. 6

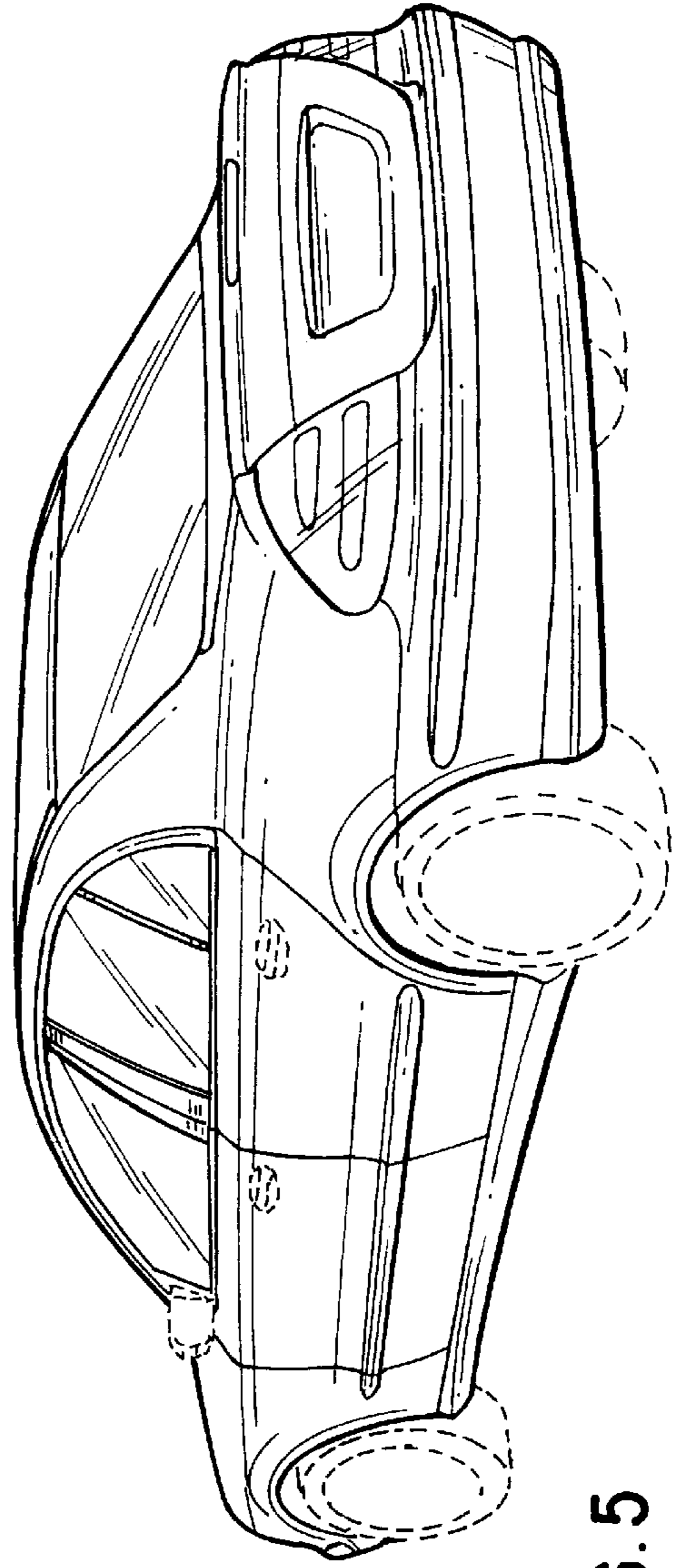


FIG. 5

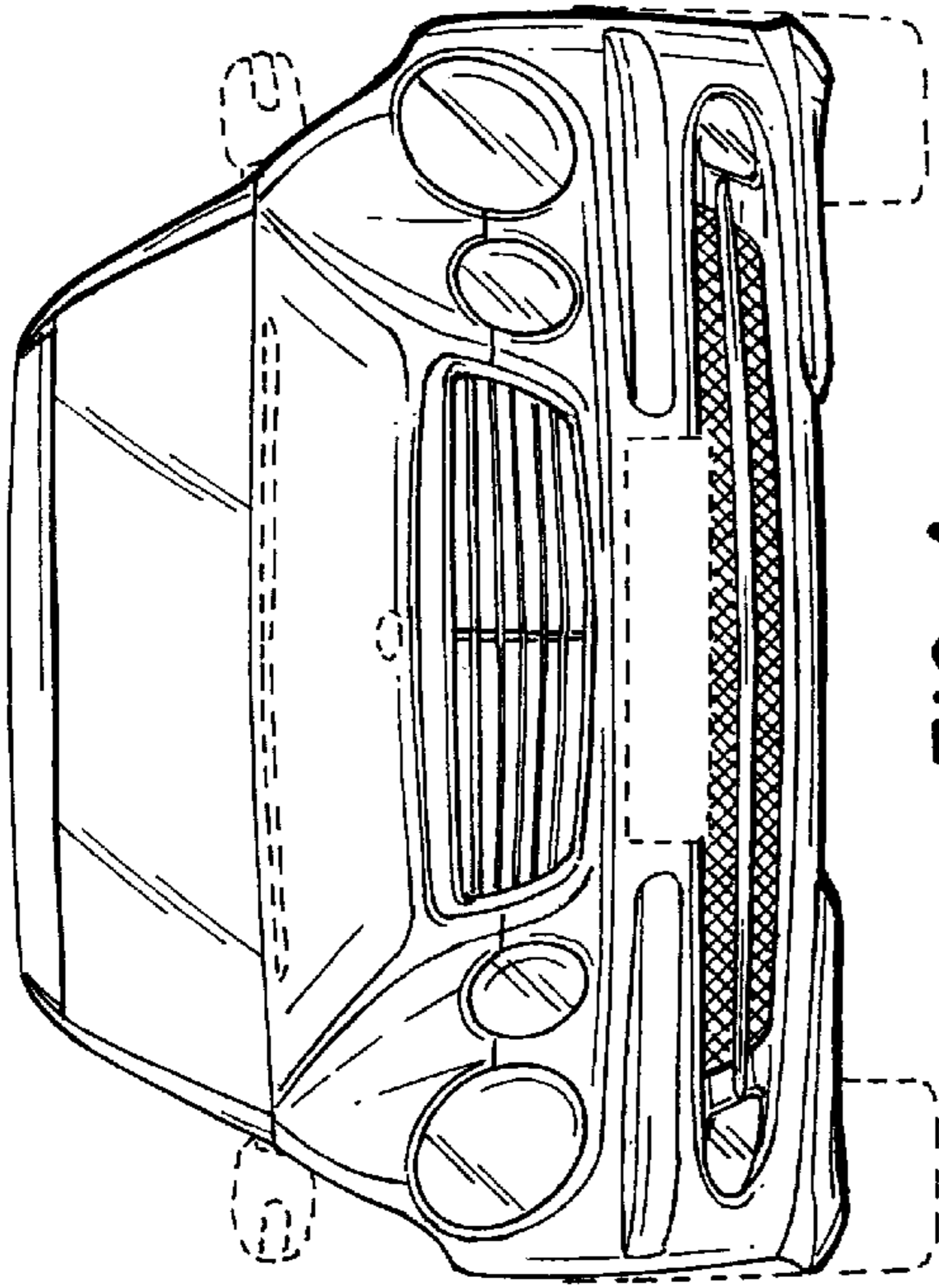


FIG. 4

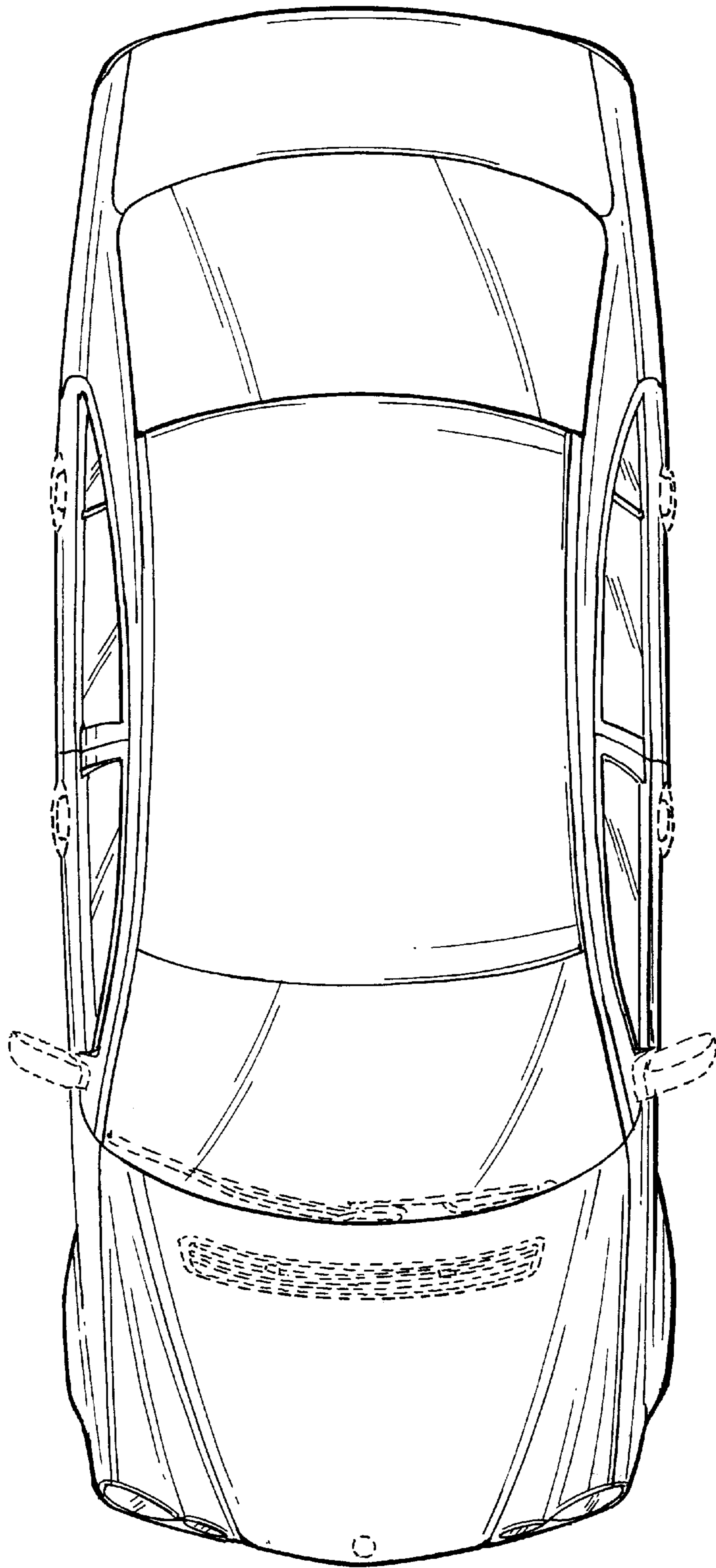


FIG. 7