



US00D462925S

(12) **United States Design Patent**
Angulo

(10) **Patent No.:** **US D462,925 S**

(45) **Date of Patent:** **** Sep. 17, 2002**

(54) **ILLUMINATED PLANT POT**

(76) Inventor: **Leonel Angulo**, 1801 S. Ocean Dr.
#1031, Hallandale, FL (US) 33009-7218

(**) Term: **14 Years**

(21) Appl. No.: **29/148,151**

(22) Filed: **Sep. 14, 2001**

(51) **LOC (7) Cl.** **11-02**

(52) **U.S. Cl.** **D11/155**

(58) **Field of Search** D11/143, 144,
D11/145, 155, 156, 147; 47/41.01, 41.13,
65.5, 65.6, 66.6, 68, 69; 206/423; 248/27.8;
362/122, 154, 805

(56) **References Cited**

U.S. PATENT DOCUMENTS

4,577,262 A *	3/1986	Buteaux	362/154
D402,229 S *	12/1998	Christensen	D11/155
6,253,489 B1 *	7/2001	Sung et al.	47/65.7
D449,793 S *	10/2001	Han	D11/156

* cited by examiner

Primary Examiner—Doris V. Coles

Assistant Examiner—Mimosa De

(74) *Attorney, Agent, or Firm*—J. Sanchelima; A. Bordas

(57) **CLAIM**

The ornamental design for illuminated plant pot, as shown and described.

DESCRIPTION

FIG. 1 is a top plan view of a illuminated plant pot showing my new design;

FIG. 2 is a front elevational view thereof;

FIG. 3 is a bottom plan view thereof;

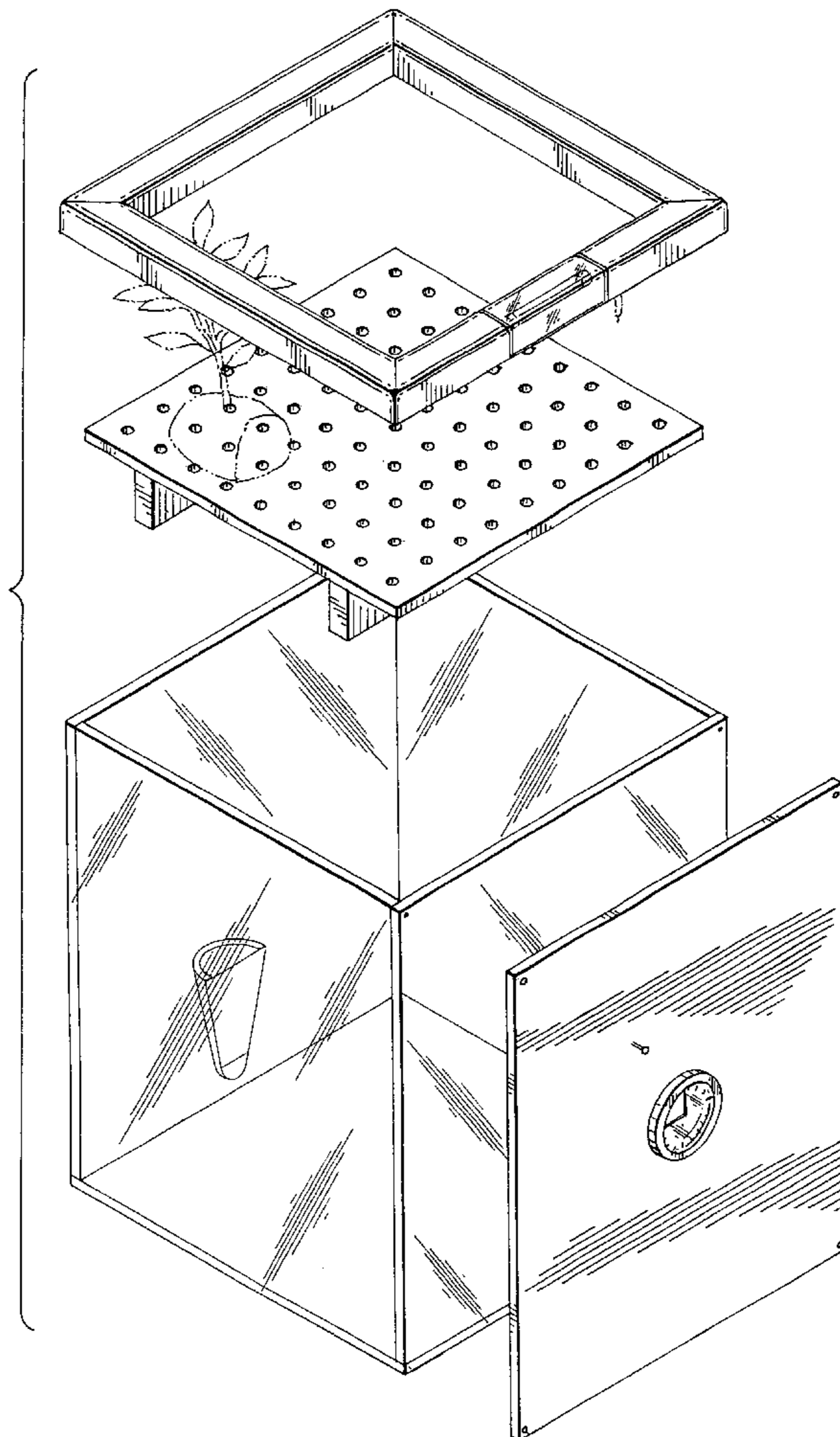
FIG. 4 is a left side elevational view thereof;

FIG. 5 is a back view thereof;

FIG. 6 is a right side elevational view thereof; and,

FIG. 7 is an exploded view showing the parts of my design, the broken line showing of the plant is for illustrative purposes only and forms no part of the claimed.

1 Claim, 3 Drawing Sheets



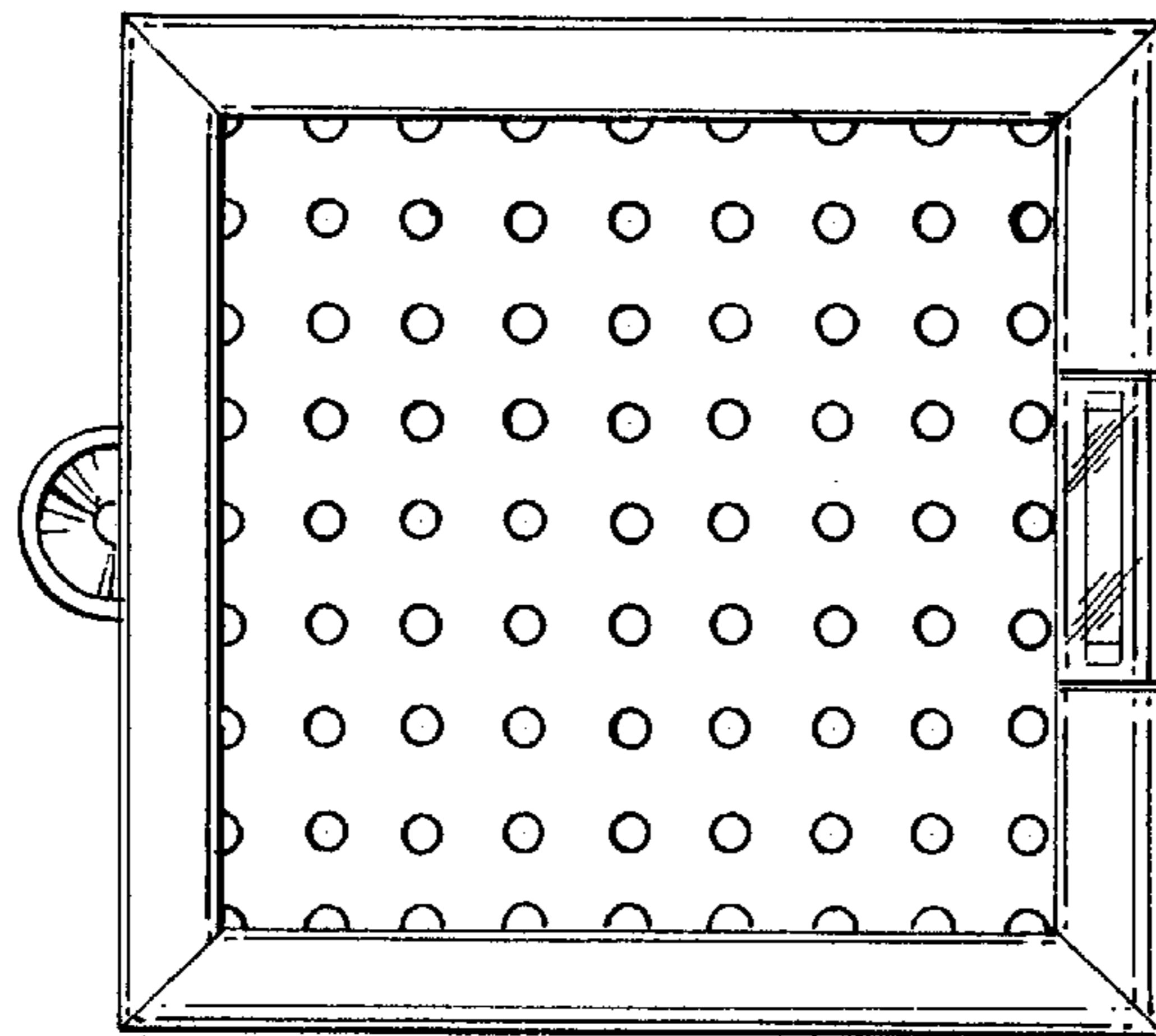


FIG. 1.

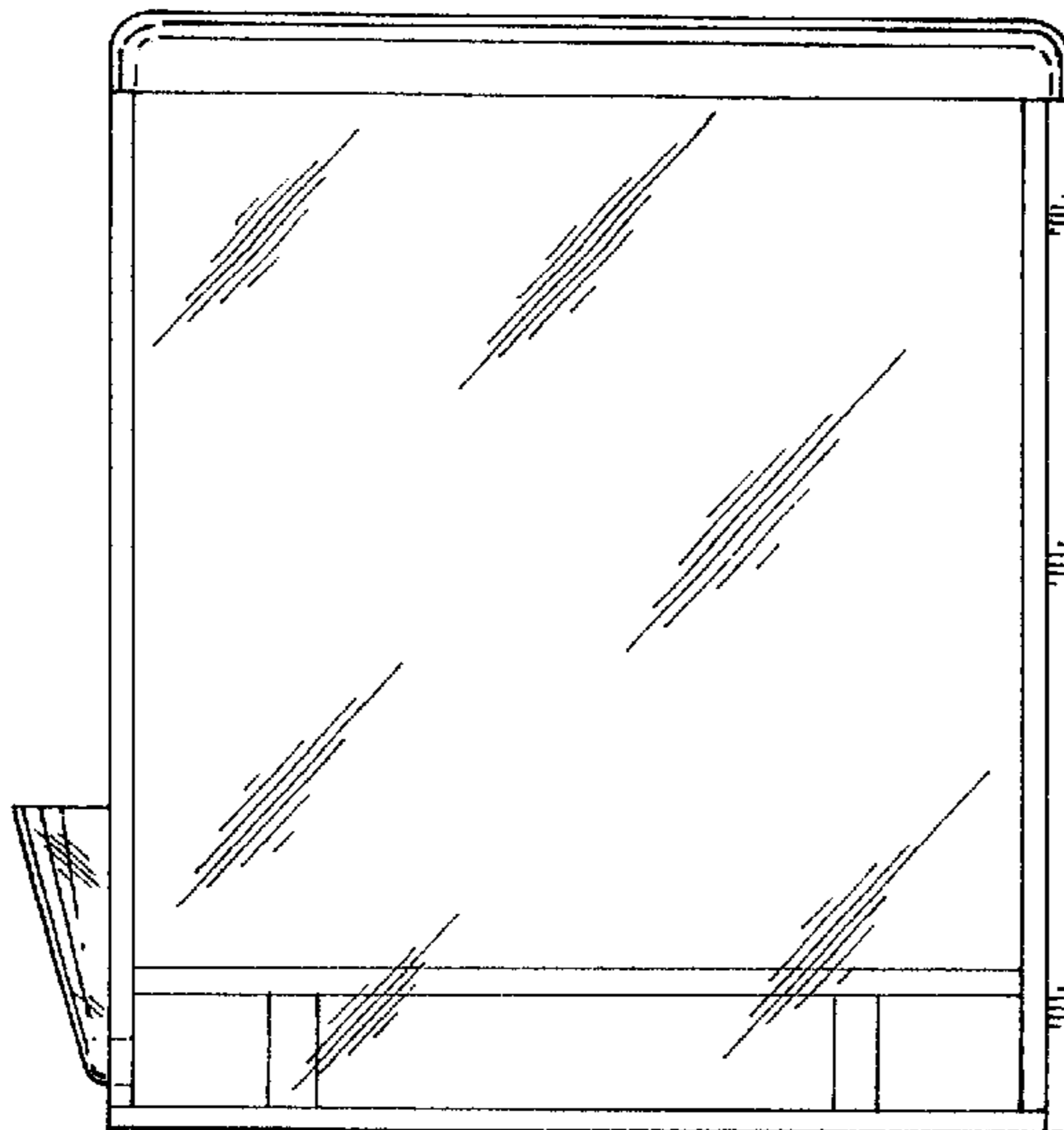


FIG. 2.

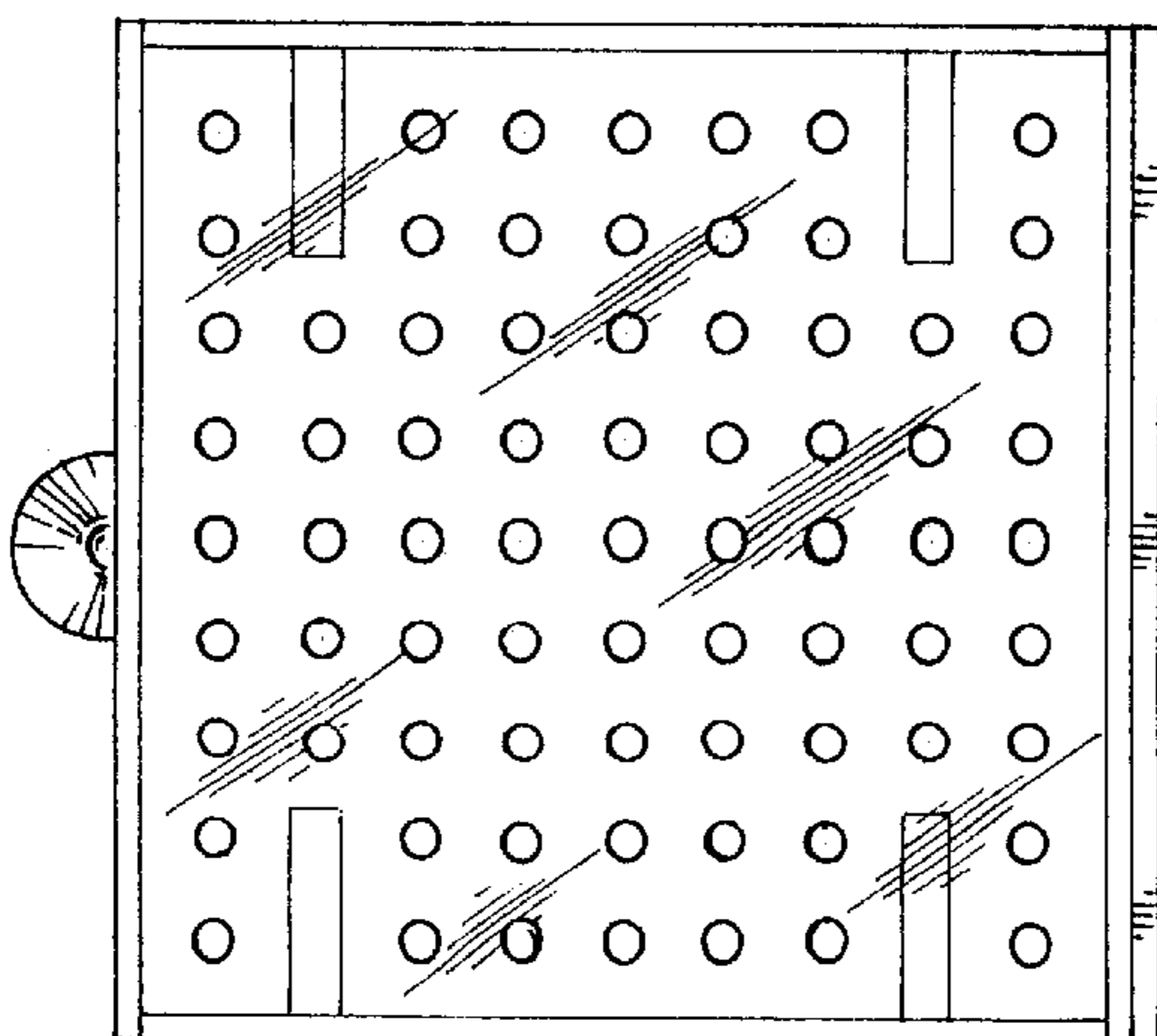


FIG. 3.

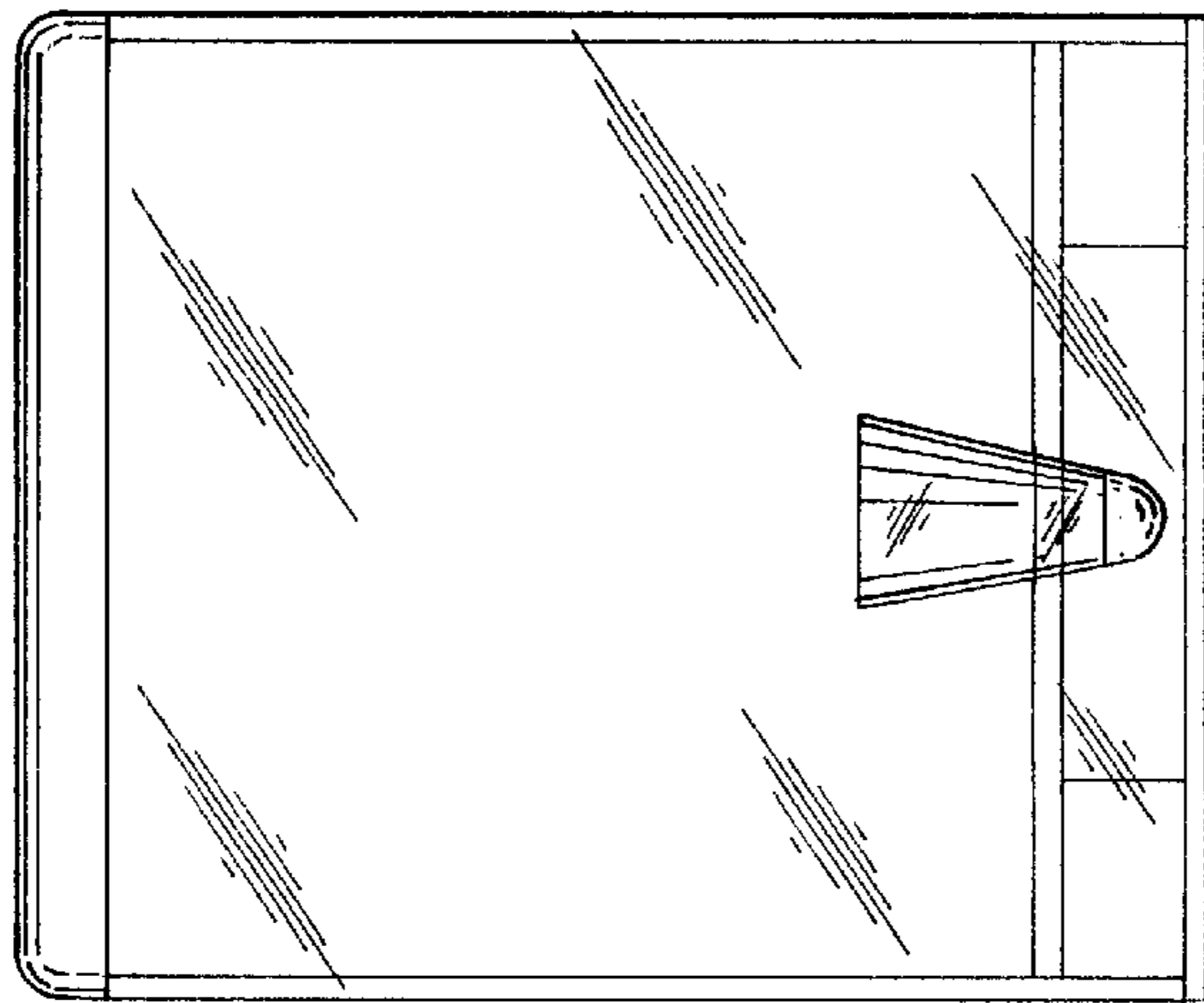


FIG. 6.

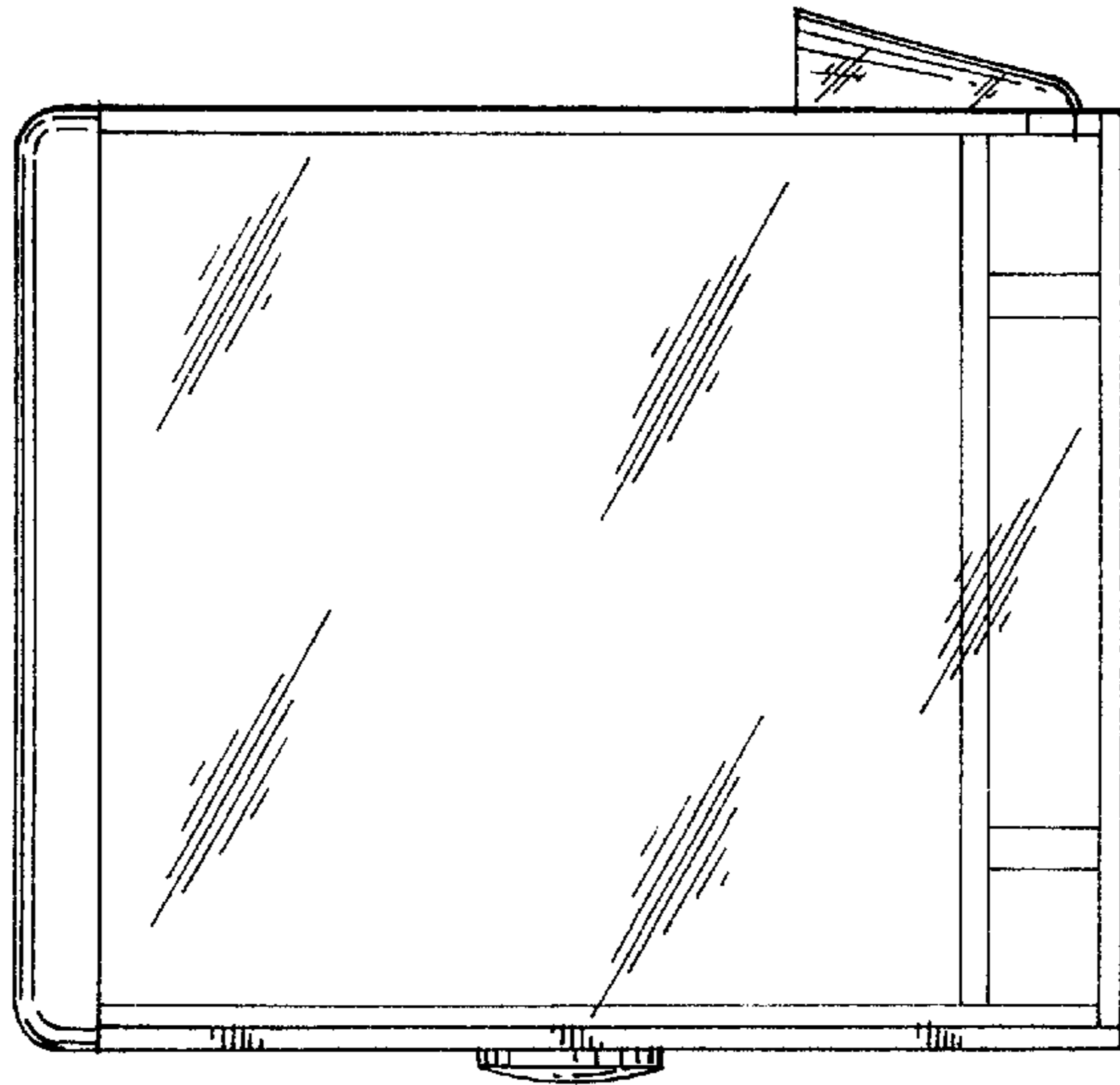


FIG. 5.

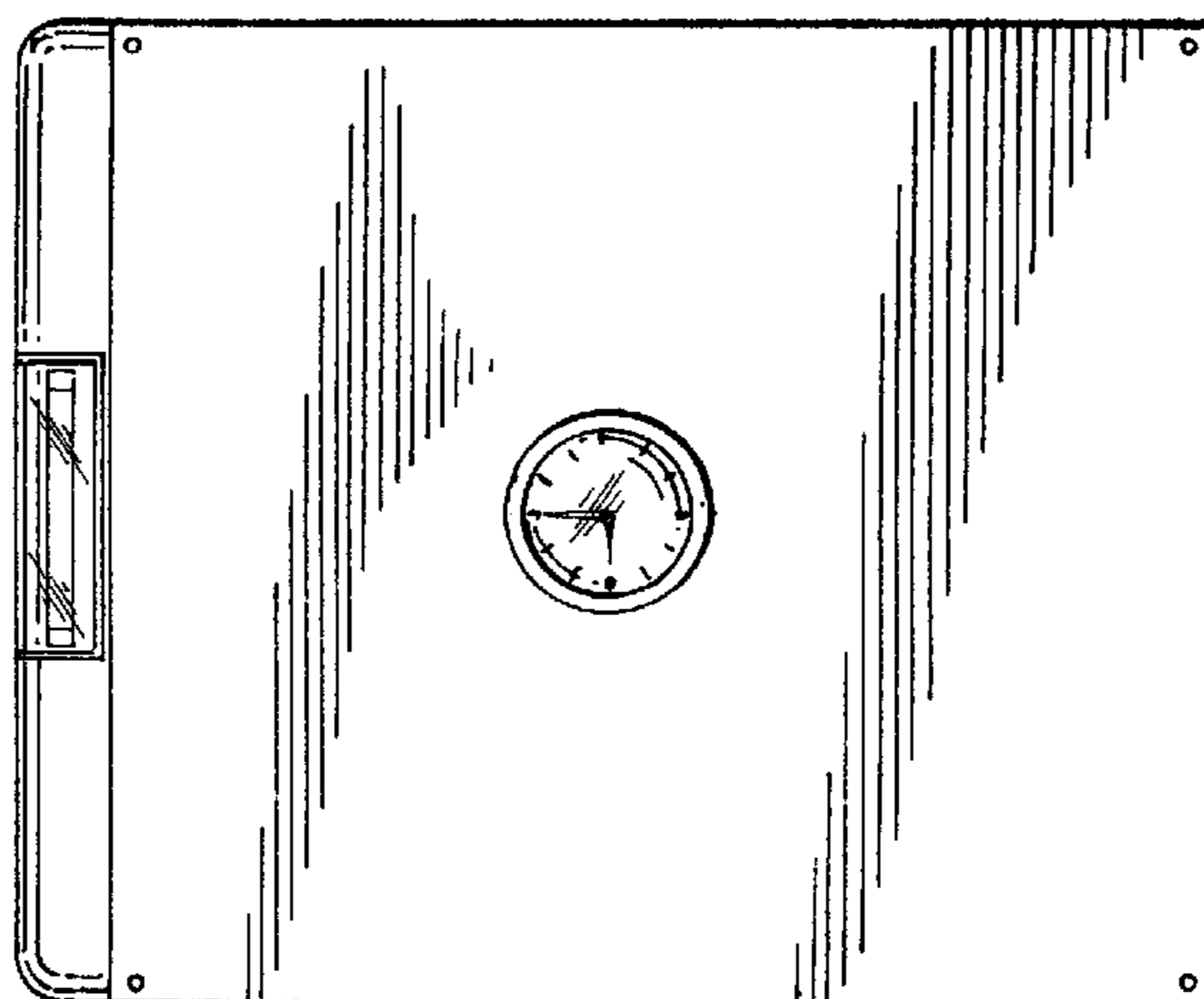


FIG. 4.

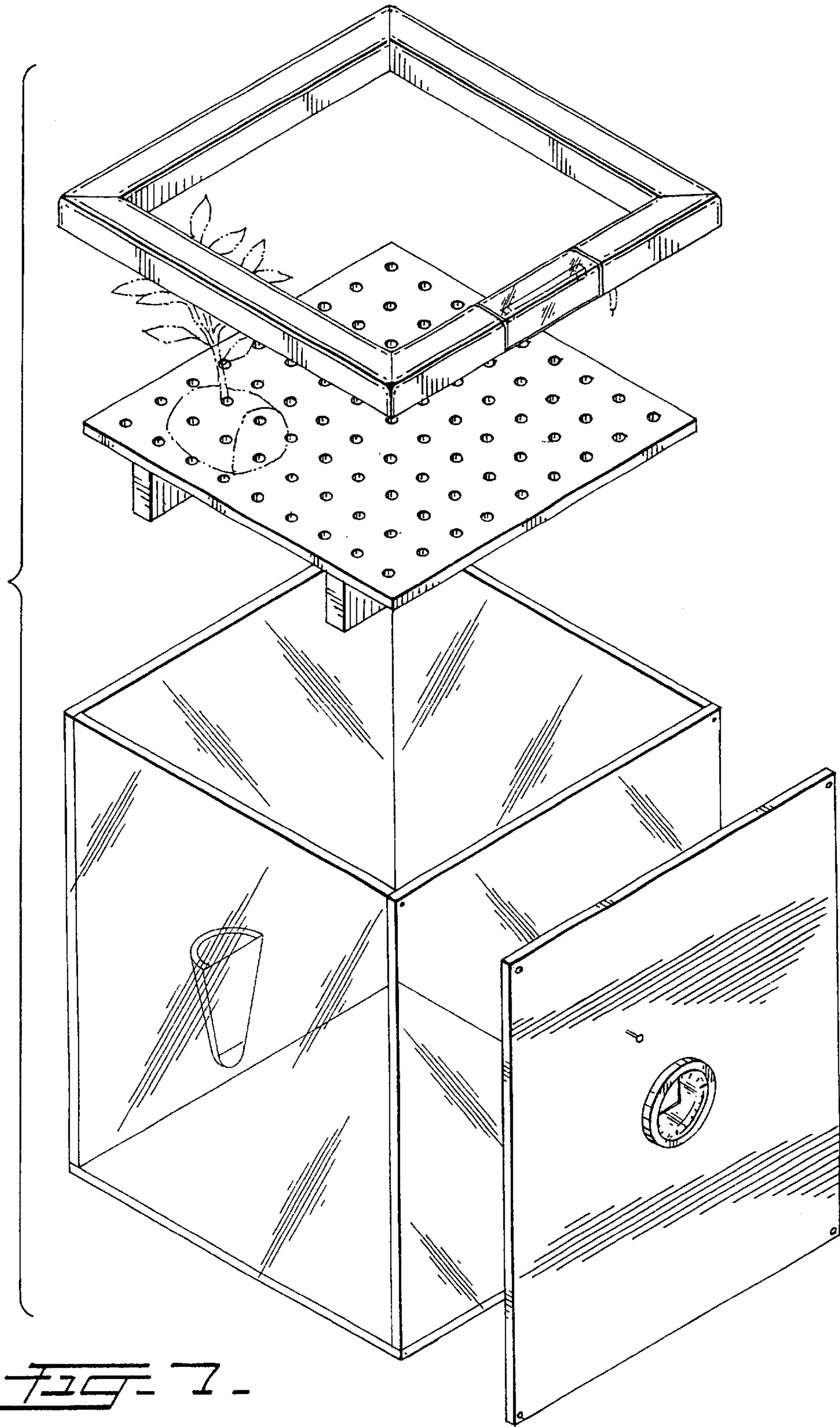


FIG. 7.