



US00D462922S

(12) **United States Design Patent**
Yuan et al.

(10) **Patent No.:** **US D462,922 S**

(45) **Date of Patent:** **** Sep. 17, 2002**

(54) **DIAMOND**

(76) Inventors: **Joe Chih-Chung Yuan**, 7F-2, No. 63,
Sec. 1, Fu-Hsing S. Rd., Taipei (TW);
Calvin S. C. Yuan, 7F-2, No. 63, Sec.
1, Fu-Hsing S. Rd., Taipei (TW)

(**) Term: **14 Years**

(21) Appl. No.: **29/151,497**

(22) Filed: **Nov. 8, 2001**

Related U.S. Application Data

(62) Division of application No. 29/140,327, filed on Apr. 16,
2001.

(51) **LOC (7) Cl.** **11-01**

(52) **U.S. Cl.** **D11/90**

(58) **Field of Search** D11/1, 2, 7, 26-29,
D11/35-36, 40-46, 78, 89-90; 63/1.1-36

(56) **References Cited**

U.S. PATENT DOCUMENTS

D324,003 S * 2/1992 Baranes D11/90
D350,708 S * 9/1994 Bachar D11/90

D402,226 S * 12/1998 Wolf D11/90
D429,475 S * 8/2000 Steinberg D11/90
D447,083 S * 8/2001 Rokah D11/90

* cited by examiner

Primary Examiner—Ralf Seifert

(74) *Attorney, Agent, or Firm*—Christensen O'Connor
Johnson Kindness PLLC

(57) **CLAIM**

The ornamental design for diamond, as shown and
described.

DESCRIPTION

FIG. 1 is a perspective view of one embodiment of a
diamond showing a new design;

FIG. 2 is a front elevational view of the diamond of FIG. 1;

FIG. 3 is a rear elevational view of the diamond of FIG. 1;

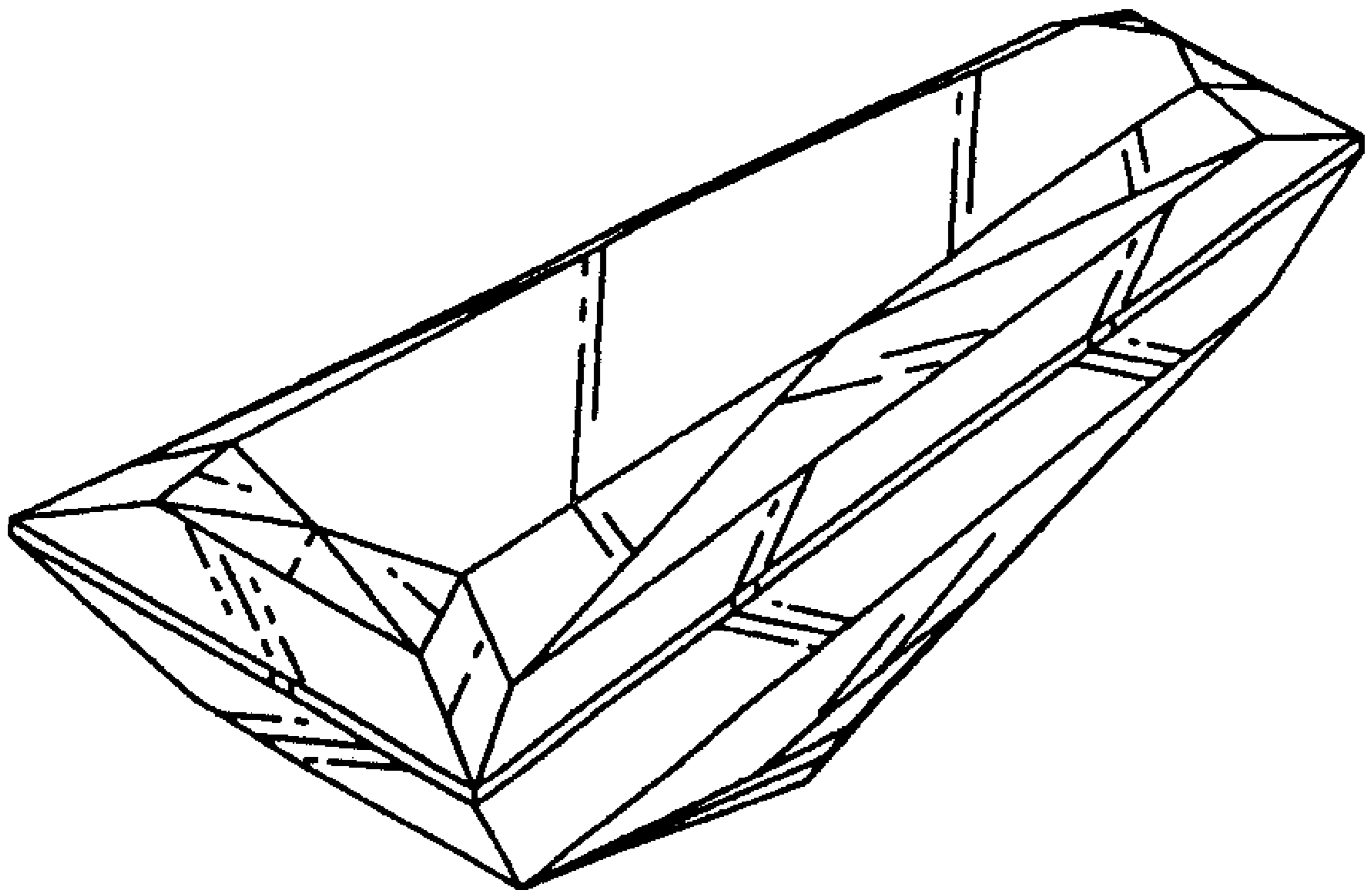
FIG. 4 is a left side elevational view of the diamond of FIG.
1;

FIG. 5 is a right side elevational view of the diamond of FIG.
1;

FIG. 6 is a top plan view of the diamond of FIG. 1; and,

FIG. 7 is a bottom plan view of the diamond of FIG. 1.

1 Claim, 1 Drawing Sheet



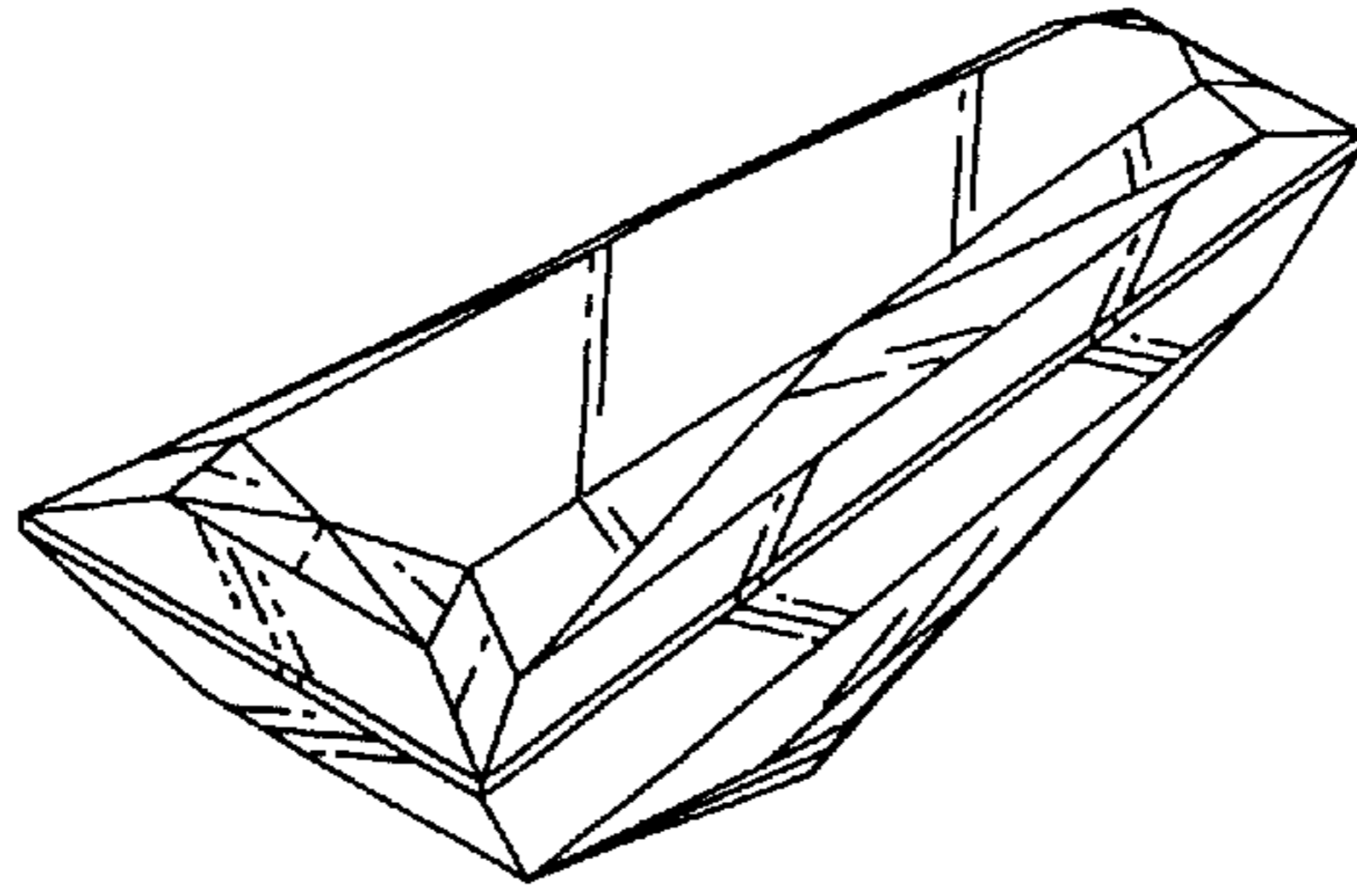


FIG. 1

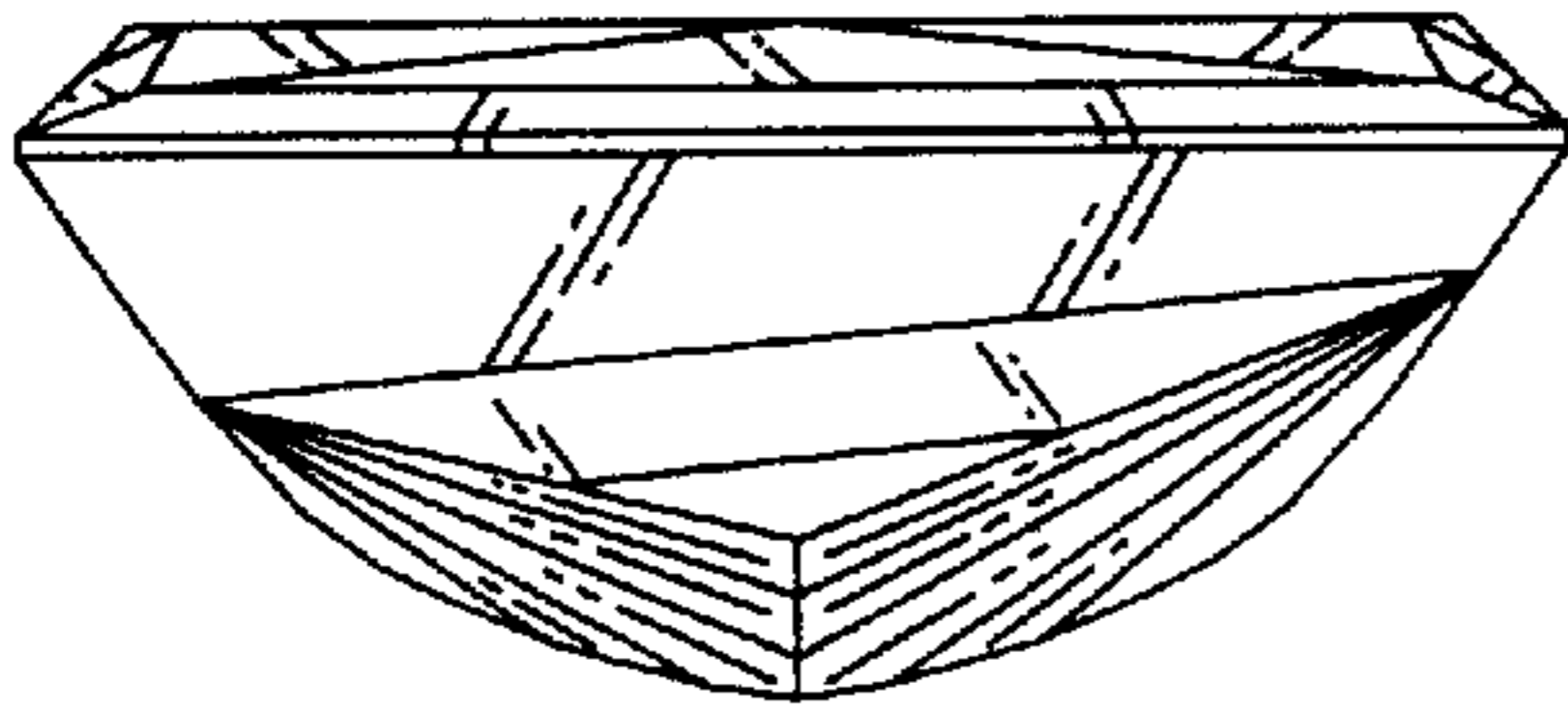


FIG. 2

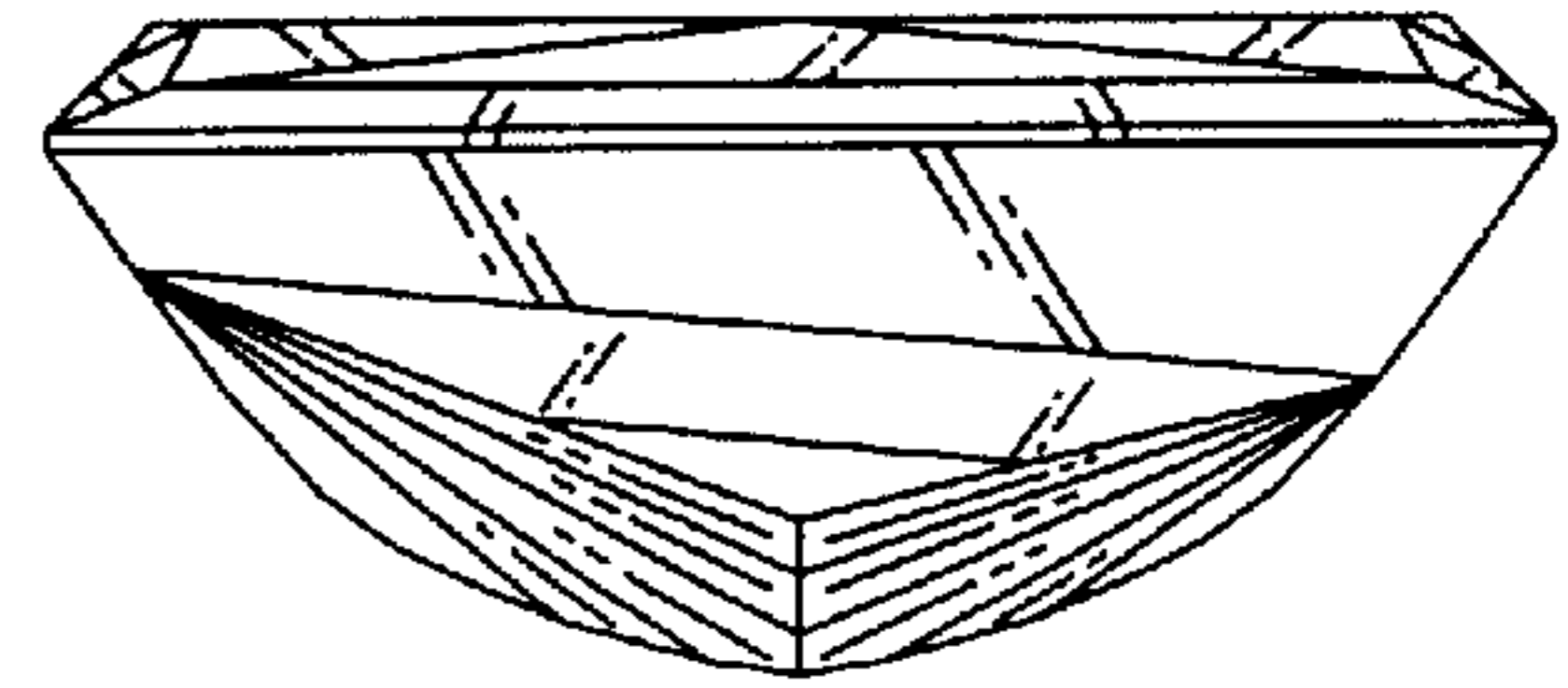


FIG. 3

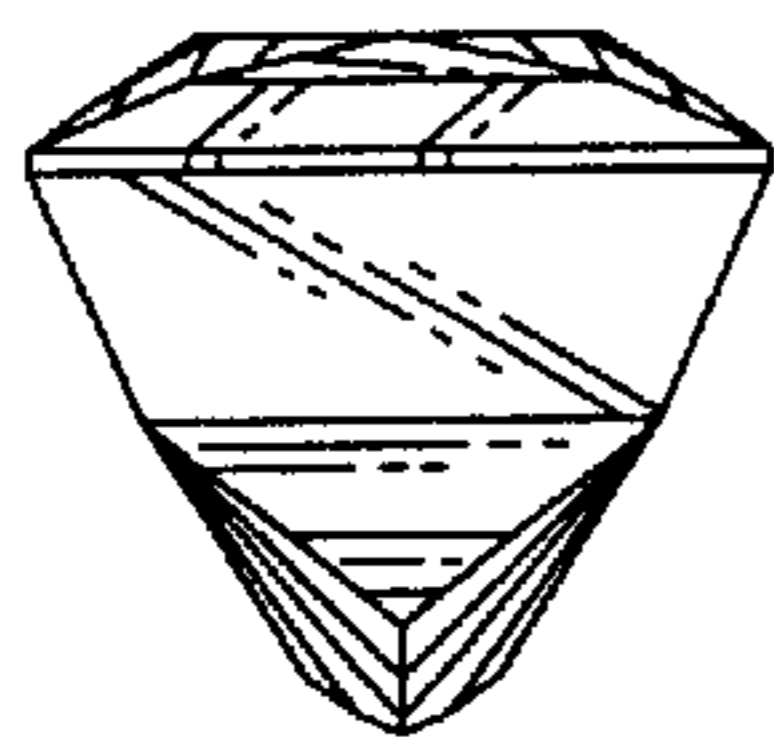


FIG. 4

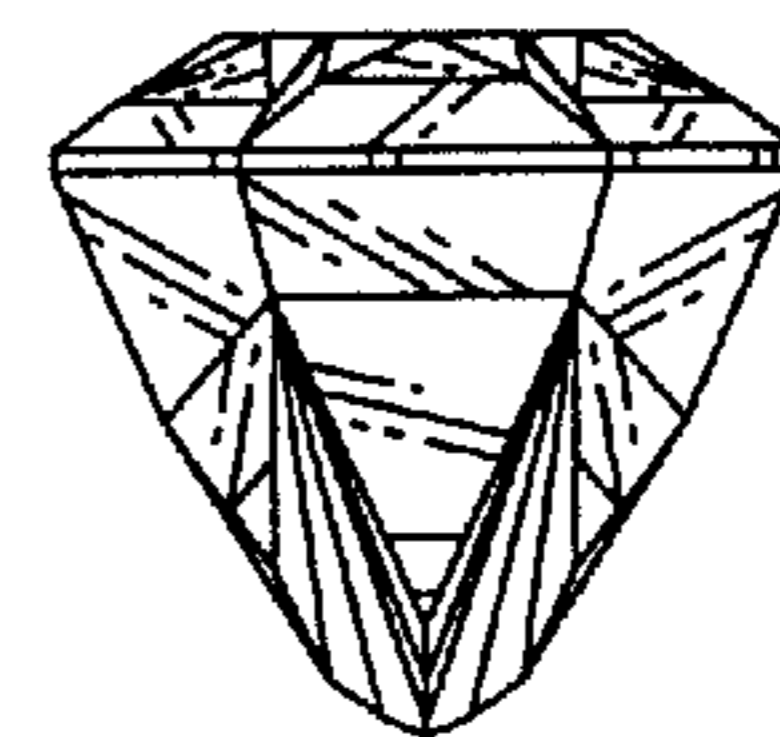


FIG. 5

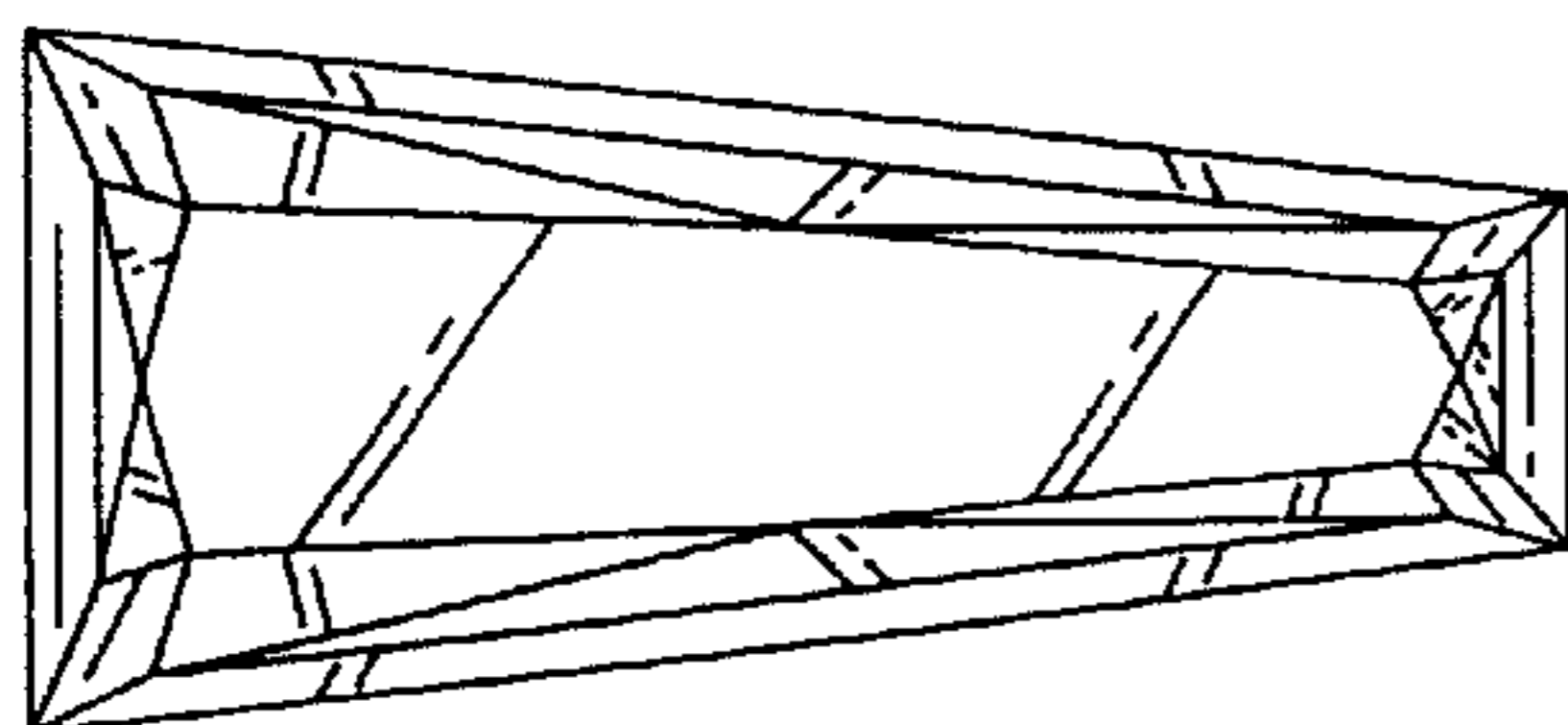


FIG. 6

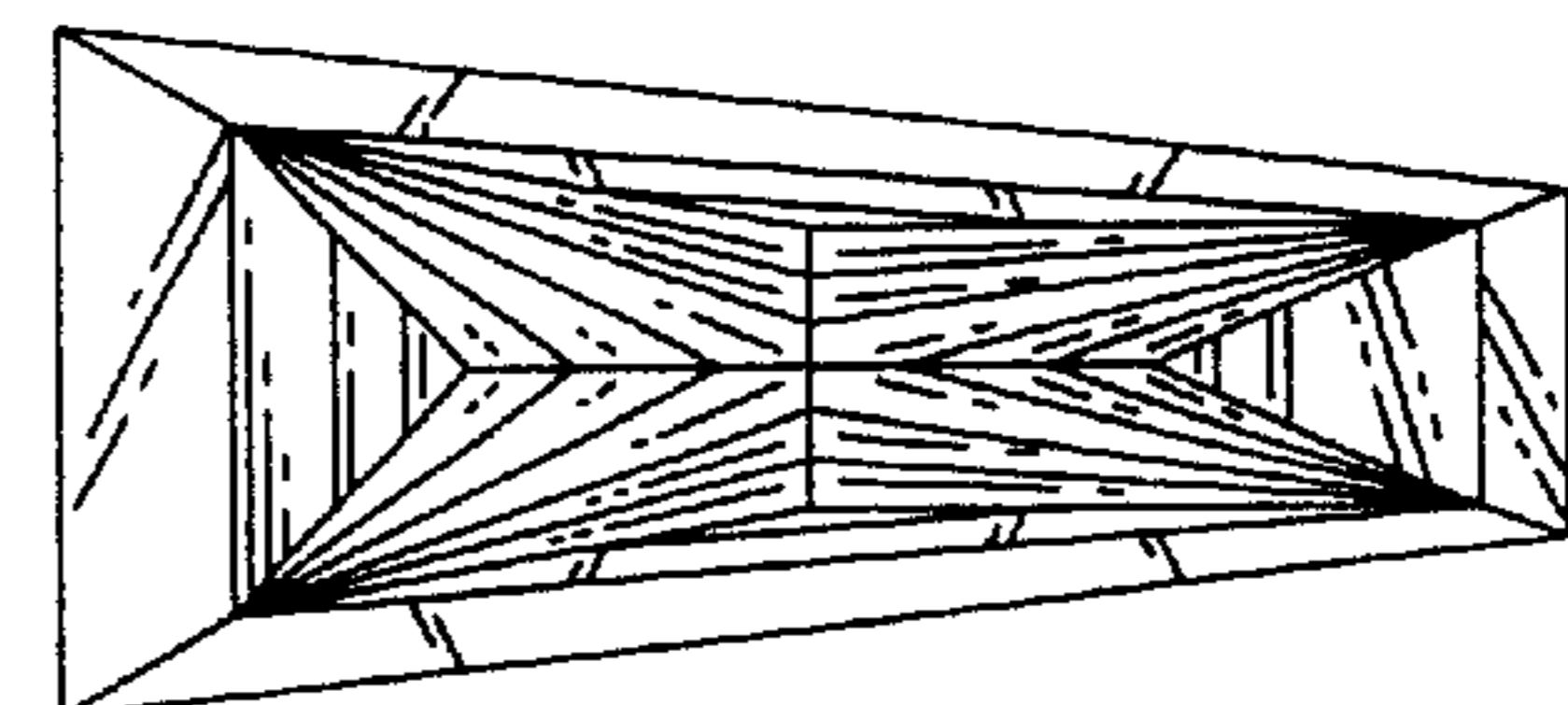


FIG. 7