



US00D462920S

(12) **United States Design Patent**  
**Calvani**

(10) **Patent No.:** **US D462,920 S**

(45) **Date of Patent:** **\*\* Sep. 17, 2002**

- (54) **BEZEL AND CRYSTAL**
- (75) Inventor: **Maria Christina Calvani**, Chambesy (CH)
- (73) Assignee: **Rolex Watch U.S.A., Inc.**, New York, NY (US)
- (\*\*) Term: **14 Years**
- (21) Appl. No.: **29/156,729**
- (22) Filed: **Mar. 5, 2002**

1,291,336 A *	1/1919	Woo	.....	368/294
2,597,935 A *	5/1952	Kiehl	.....	368/295
4,462,697 A *	7/1984	Thompson	.....	368/282
4,815,053 A *	3/1989	Busco	.....	368/294
5,541,895 A *	7/1996	Nussbaum	.....	368/295
5,654,941 A *	8/1997	Joss	.....	368/295
6,206,563 B1 *	3/2001	Dombre et al.	.....	368/294

\* cited by examiner

*Primary Examiner*—Nelson C. Holtje

(74) *Attorney, Agent, or Firm*—Morgan & Finnegan, LLP

(57) **CLAIM**

I claim the ornamental design for a bezel and crystal, as shown and described.

**Related U.S. Application Data**

- (62) Division of application No. 29/139,023, filed on Mar. 22, 2001.
- (51) **LOC (7) Cl.** ..... **10-02**
- (52) **U.S. Cl.** ..... **D10/132**
- (58) **Field of Search** ..... D10/30-39, 122-132; 368/281-282, 276-277, 285, 294, 295-296

**DESCRIPTION**

FIG. 1 is a top, front side perspective view of the bezel and crystal showing the invention of my new design; and, FIG. 2 is a left side view of the bezel and crystal which is characterized by a domed shape that includes a slightly domed crystal, the right side of the bezel and crystal being a mirror image.

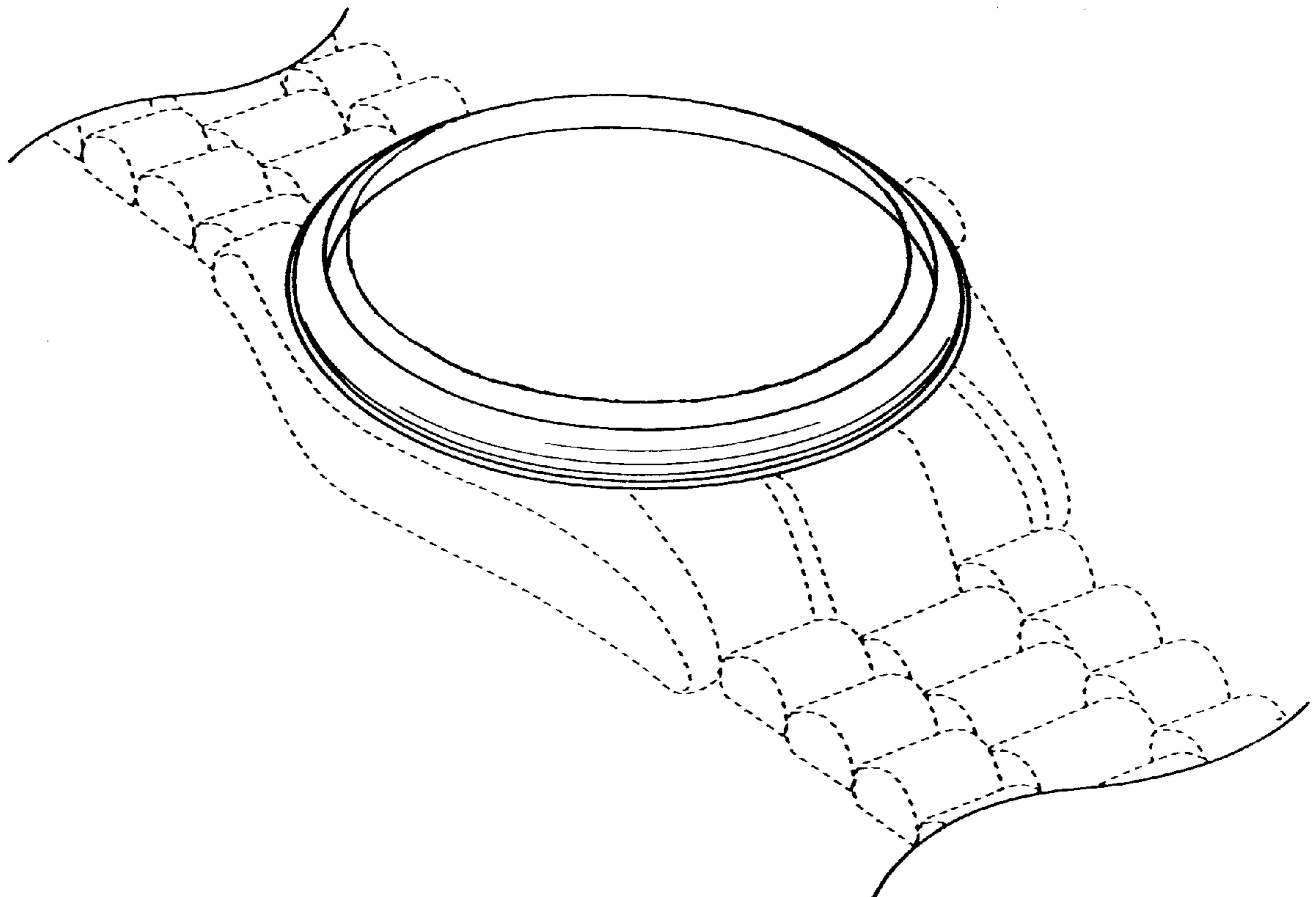
The broken line showings of a watch and band portions are for illustrative purposes only and form no part of the claimed design.

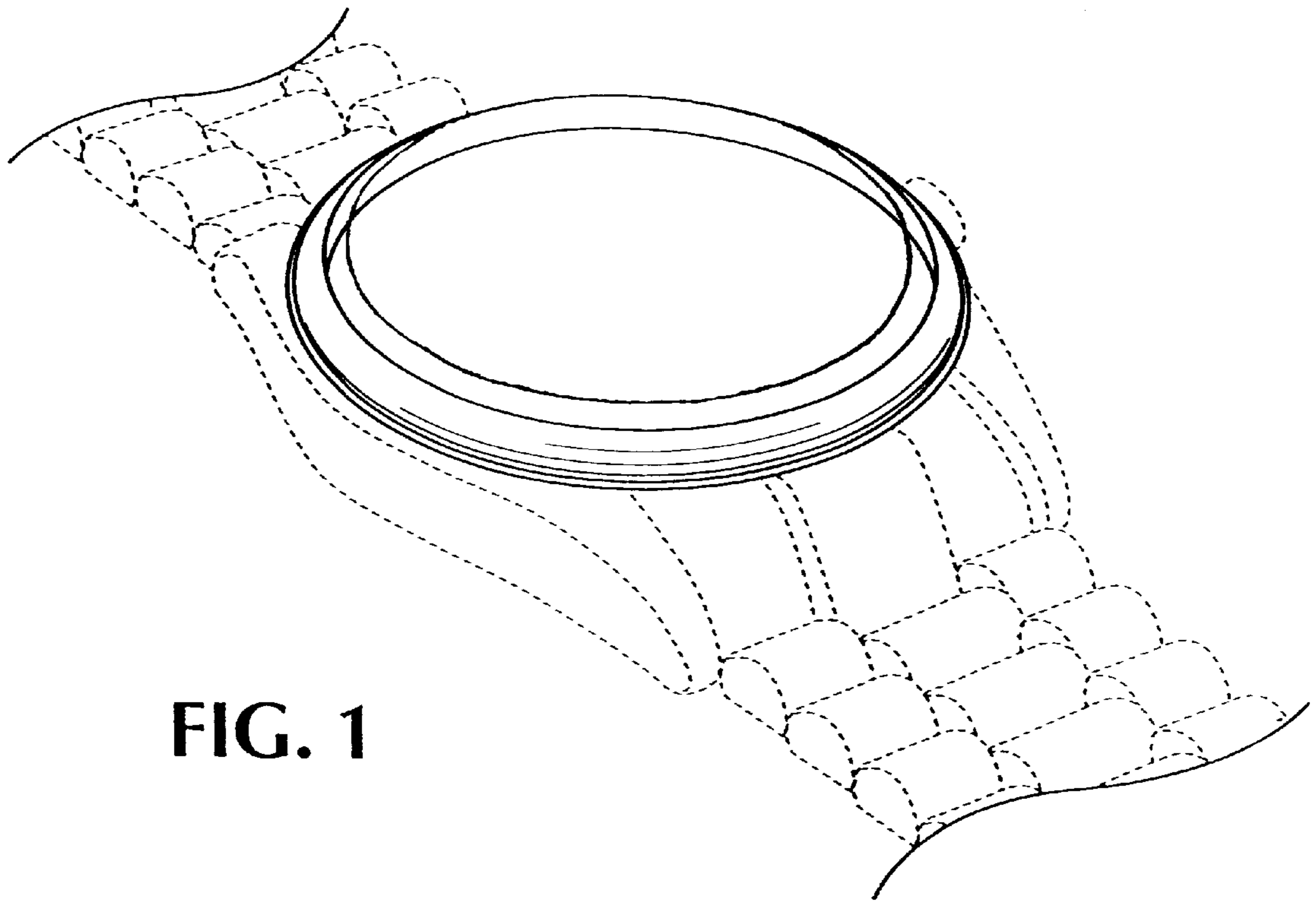
(56) **References Cited**

**U.S. PATENT DOCUMENTS**

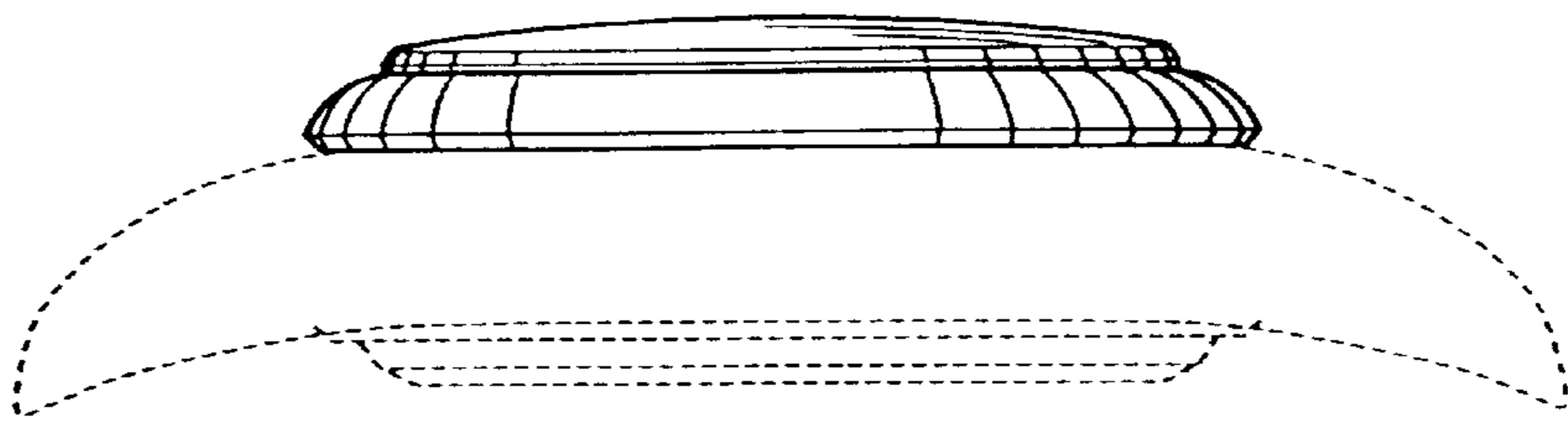
153,633 A *	7/1874	Thiery	.....	368/294
442,443 A *	12/1890	Kornrumpf	.....	368/294

**1 Claim, 1 Drawing Sheet**





**FIG. 1**



**FIG. 2**