



US00D462918S

(12) **United States Design Patent**
Kim

(10) **Patent No.:** **US D462,918 S**

(45) **Date of Patent:** **** Sep. 17, 2002**

(54) **STANDING DEVICE FOR FLASHLIGHT OR HAND-TRAFFIC WAND**

(76) **Inventor:** **Tae Hyung Kim**, 2-702 sambo mansion, 580-4 yun san 1 dong, yun jae-ku, Busan (KR)

(**) **Term:** **14 Years**

(21) **Appl. No.:** **29/141,696**

(22) **Filed:** **May 11, 2001**

(51) **LOC (7) Cl.** **10-05**

(52) **U.S. Cl.** **D10/121**

(58) **Field of Search** D10/109, 111, D10/113, 114, 115, 121; 116/63 C, 63 P; 40/455, 584, 612, 624

(56) **References Cited**

U.S. PATENT DOCUMENTS

D266,653 S	*	10/1982	Cho	D10/121
D389,078 S	*	1/1998	Freeman et al.	D10/109
D411,810 S	*	7/1999	Stockman	D10/109

* cited by examiner

Primary Examiner—Marcus A. Jackson

(74) *Attorney, Agent, or Firm*—Jacobson Holman, PLLC

(57) **CLAIM**

I claim the ornamental design for A Standing Device For Flashlight or Hand-Traffic Wand, as shown and described.

DESCRIPTION

FIG. 1 is a front perspective view of A Standing Device for Flashlight Or Hand-Traffic Wand embodying by design; FIG. 2 is A Standing Device For Flashlight or Hand-Traffic Wand in use for flashlight, with the broken line showing for illustrative purposes only and forming no part of the claimed design.

FIG. 3 is A Standing Device For Flashlight or Hand-Traffic Wand in use for Hand-traffic wand.

FIG. 4 is a front view of A Standing Device For Flashlight or Hand-Traffic Wand;

FIG. 5 is a back view of A Standing Device For Flashlight or Hand-Traffic Wand;

FIG. 6 is a left side view of A Standing Device For Flashlight or Hand-Traffic Wand;

FIG. 7 is a right side view of A Standing Device For Flashlight or Hand-Traffic Wand;

FIG. 8 is a top view of A Standing Device For Flashlight or Hand-Traffic Wand; and,

FIG. 9 is a bottom view of A Standing Device For Flashlight or Hand-Traffic Wand.

1 Claim, 9 Drawing Sheets

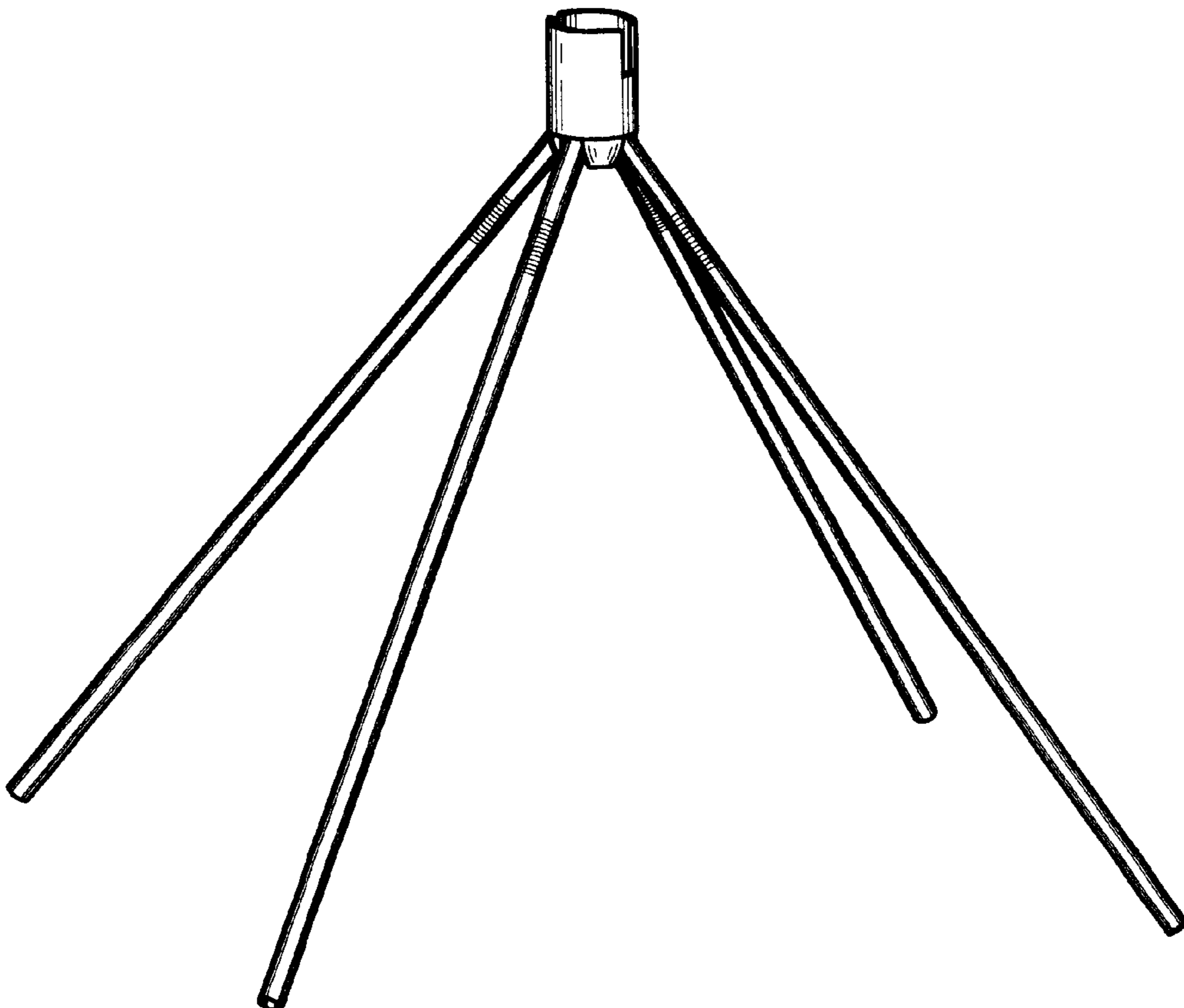


FIG. 1

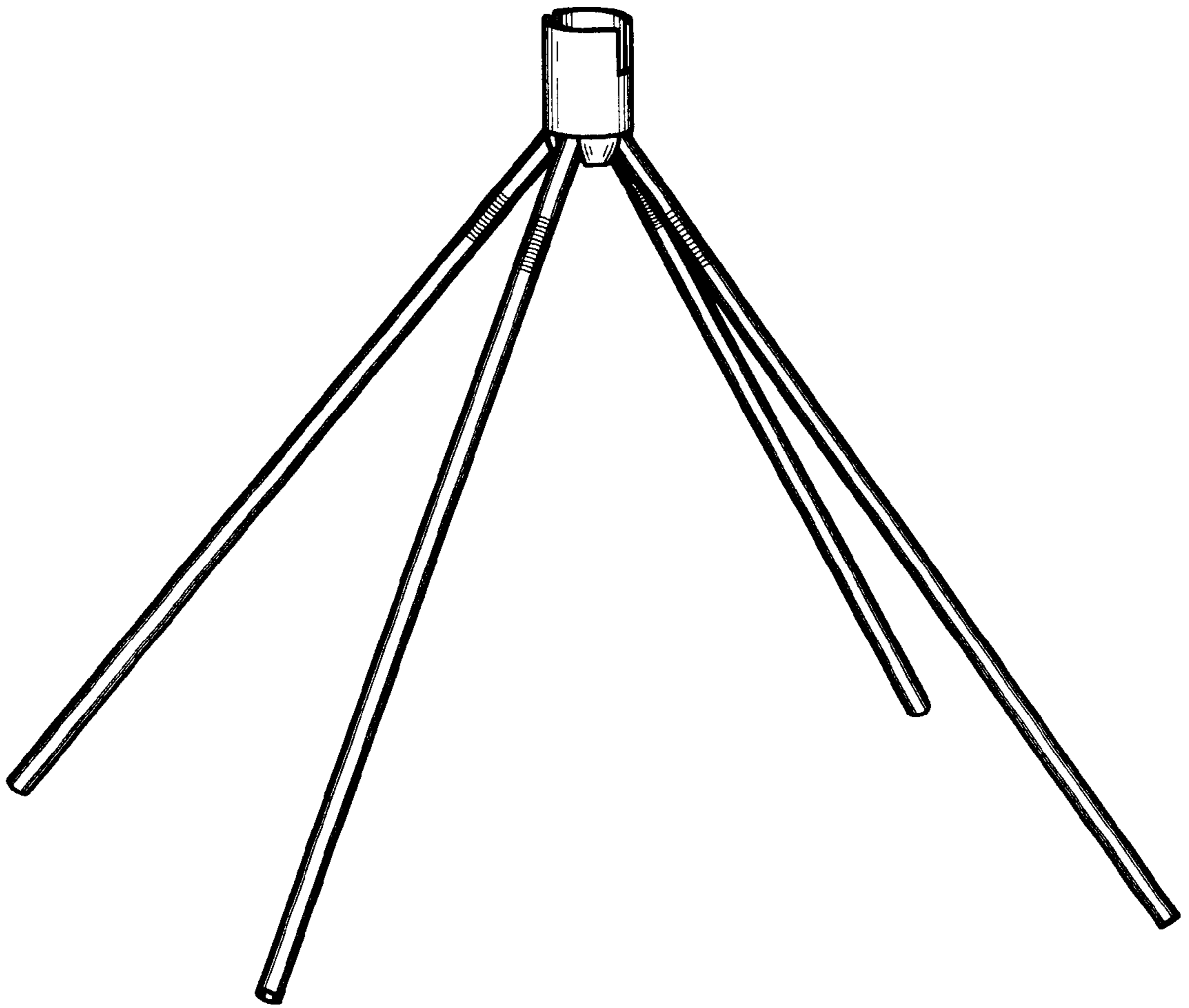


FIG.2

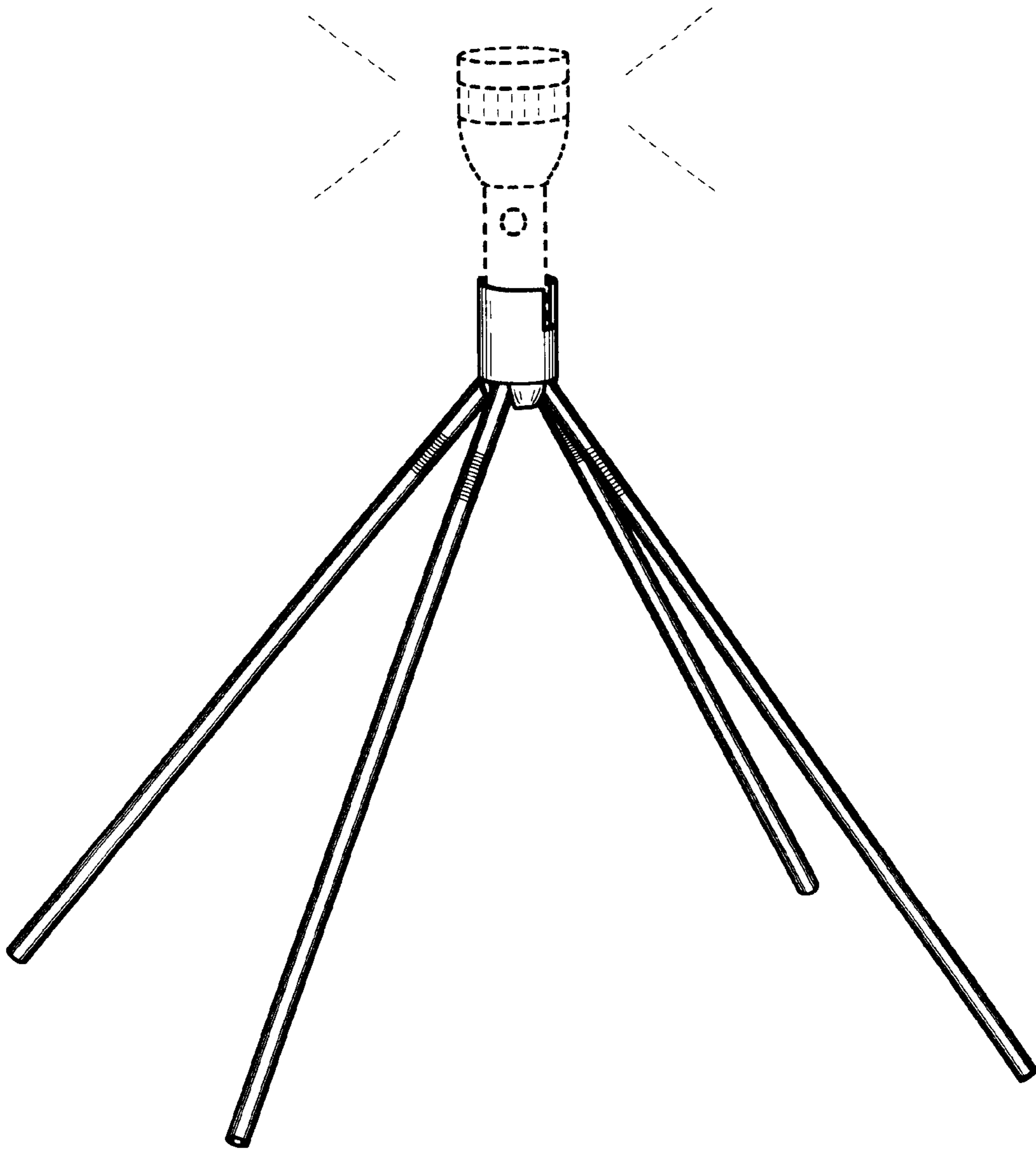


FIG. 3

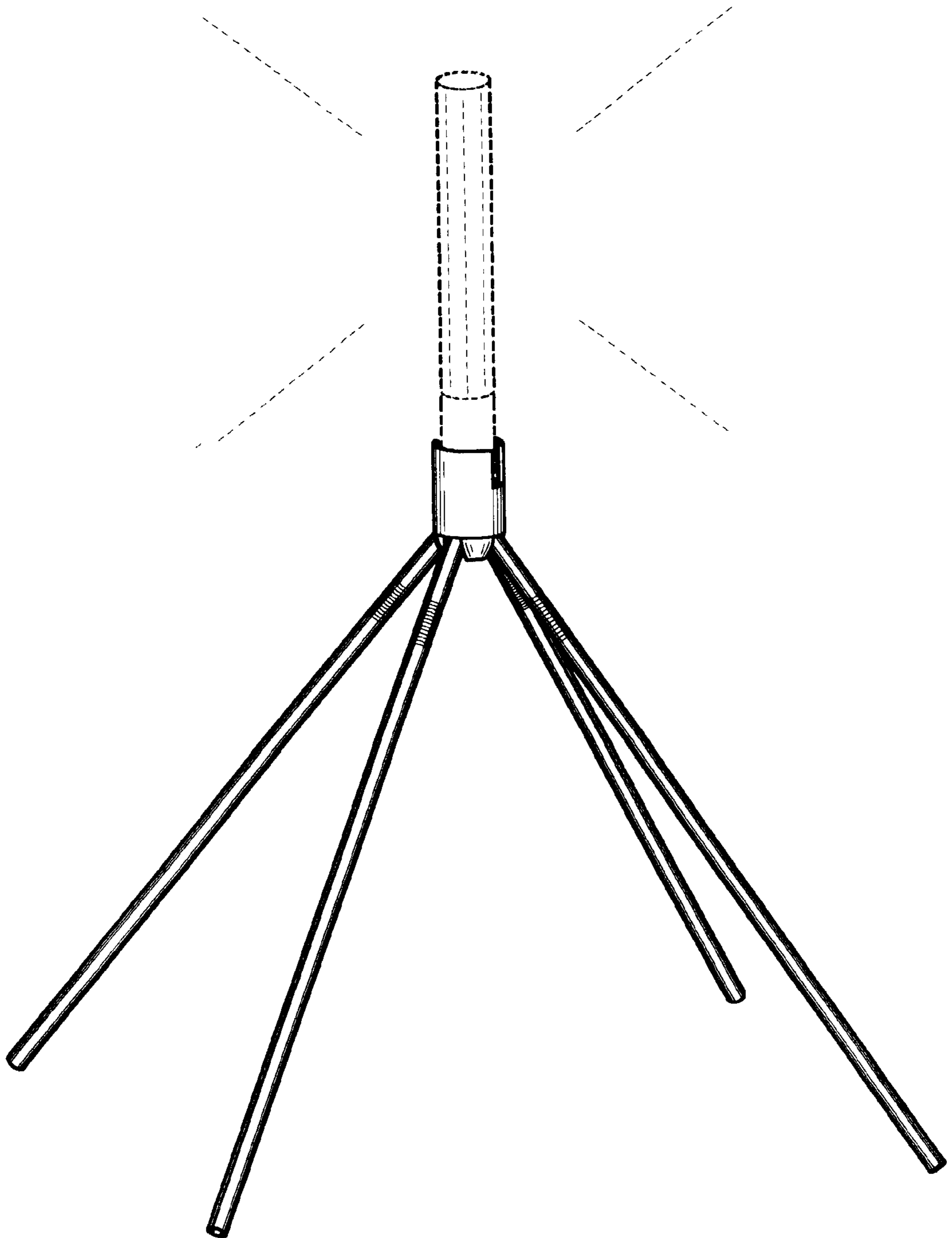


FIG.4

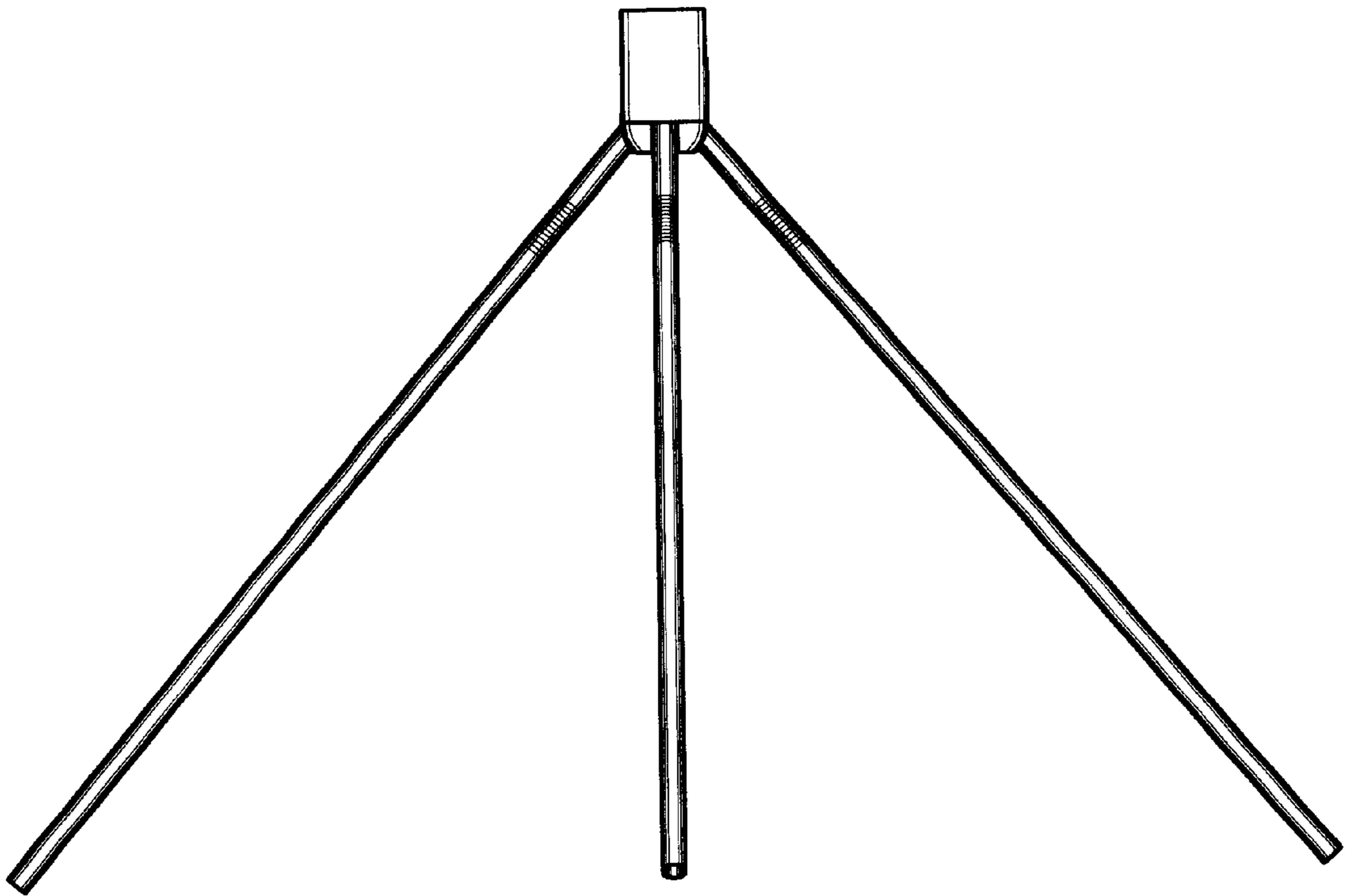


FIG.5

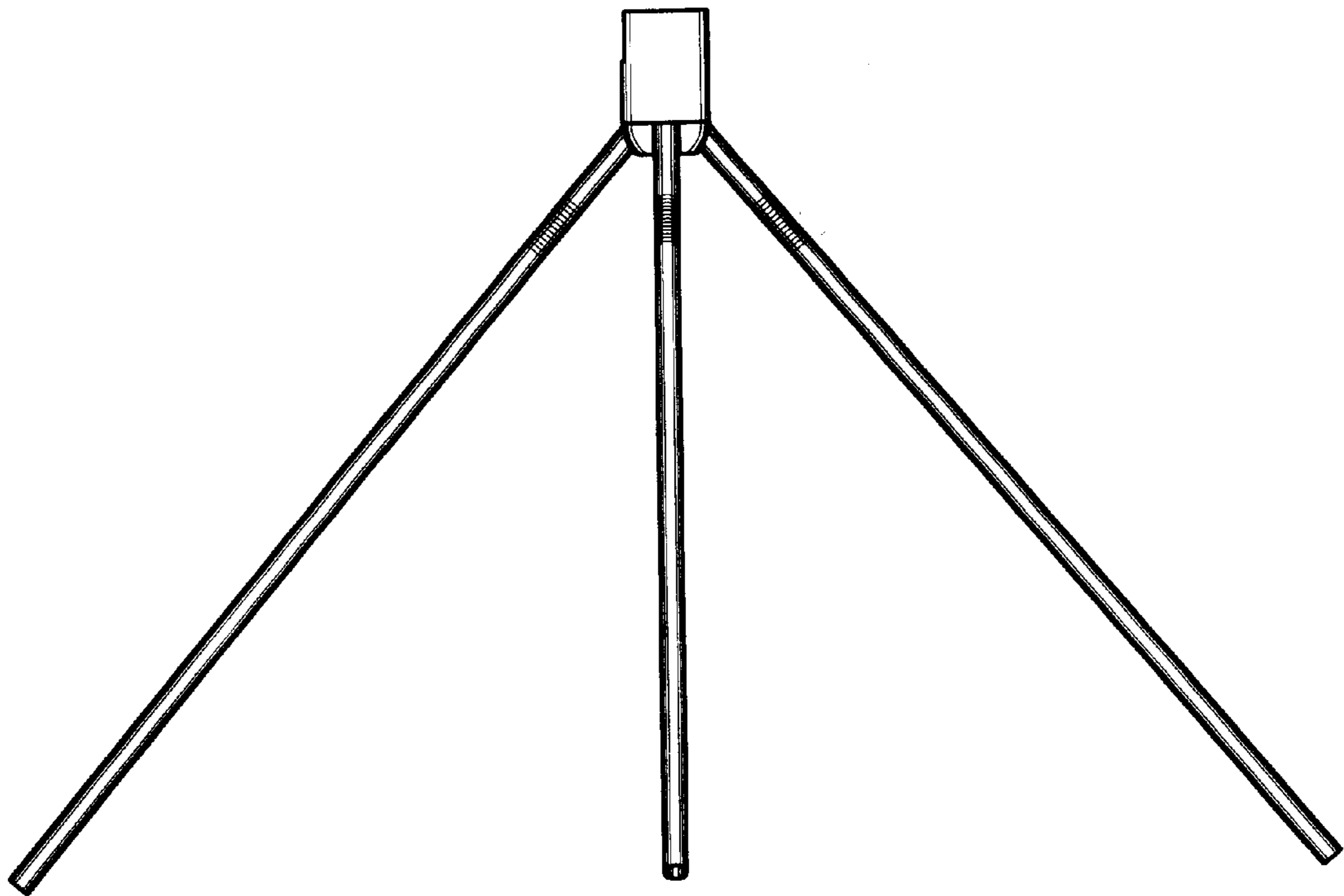


FIG. 6

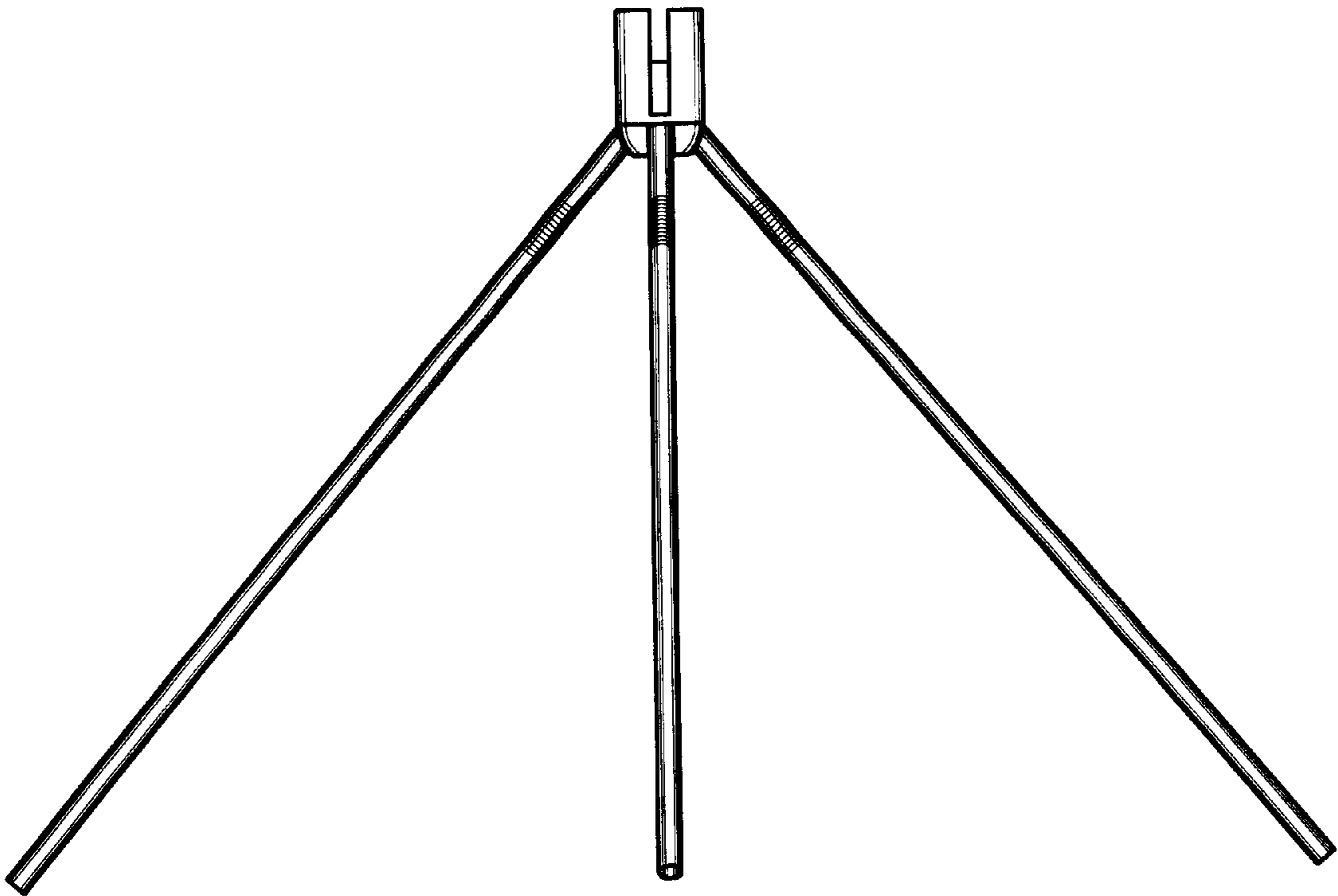


FIG. 7

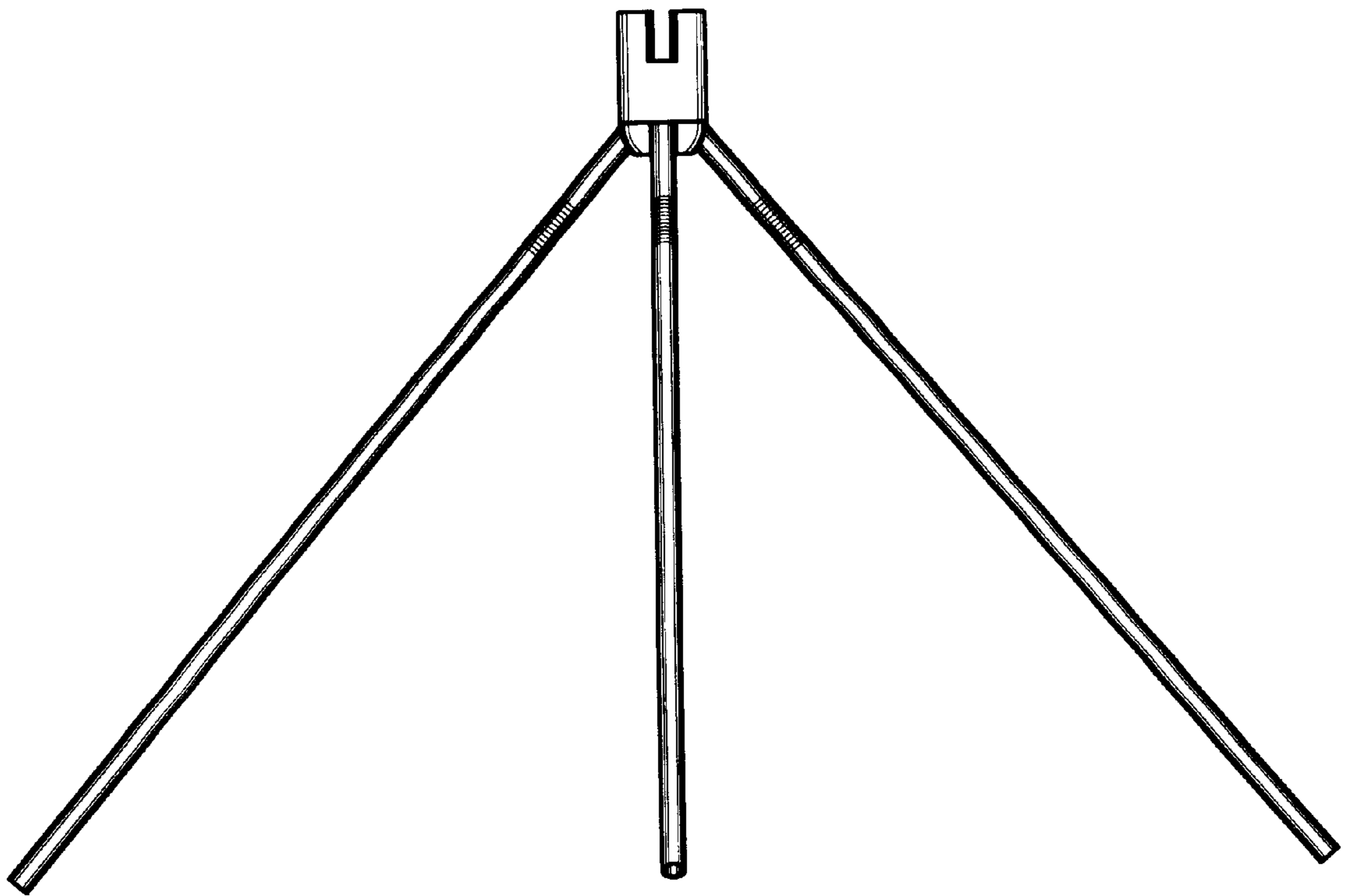


FIG.8

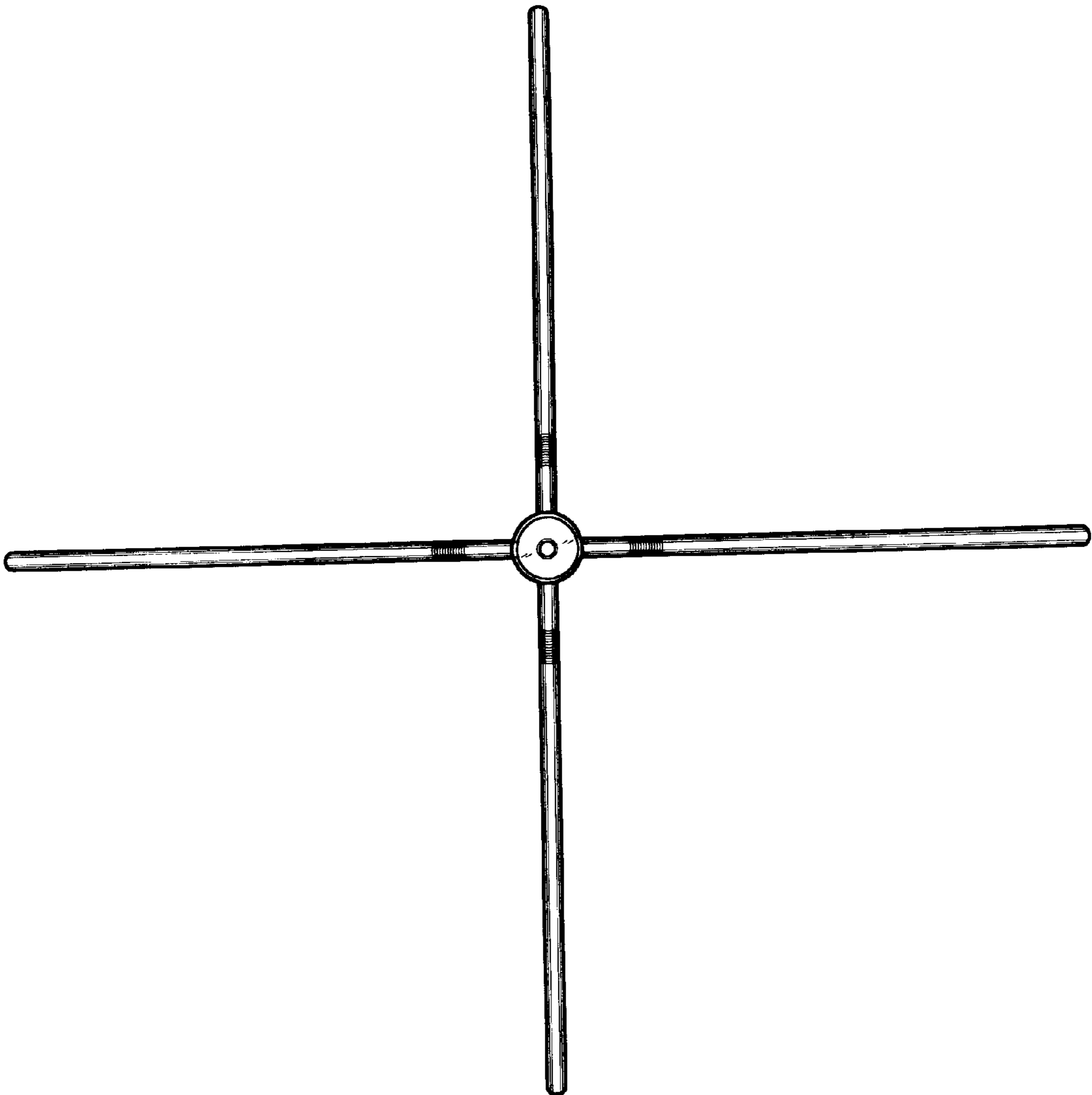


FIG. 9

