



US00D462917S

(12) **United States Design Patent**
Hills et al.

(10) **Patent No.:** **US D462,917 S**

(45) **Date of Patent:** **** Sep. 17, 2002**

(54) **WHISTLE MOUTHPIECE**

(75) Inventors: **Graham Hills**, Ontario (CA); **Kirk Mosna**, Ontario (CA); **Steve Orzel**, Ontario (CA); **Ronald Foxcroft**, Ontario (CA)

(73) Assignee: **Fox 40 International Inc.**, Hamilton (CA)

(**) Term: **14 Years**

(21) Appl. No.: **29/146,862**

(22) Filed: **Aug. 20, 2001**

(51) **LOC (7) Cl.** **10-05**

(52) **U.S. Cl.** **D10/119**

(58) **Field of Search** D10/119; 446/204-206,
446/202; 116/137 R

(56) **References Cited**

U.S. PATENT DOCUMENTS

4,821,670 A	4/1989	Foxcroft et al.	
5,086,726 A *	2/1992	Sharp	116/137 R
5,515,808 A *	5/1996	Edlund	116/137 R
5,816,186 A	10/1998	Shepherd	

OTHER PUBLICATIONS

Fox 40 Product Catalogue 2001, pp. 2 & 4.

* cited by examiner

Primary Examiner—Antoine Duval Davis

(74) *Attorney, Agent, or Firm*—Ingrid E. Schmidt

(57) **CLAIM**

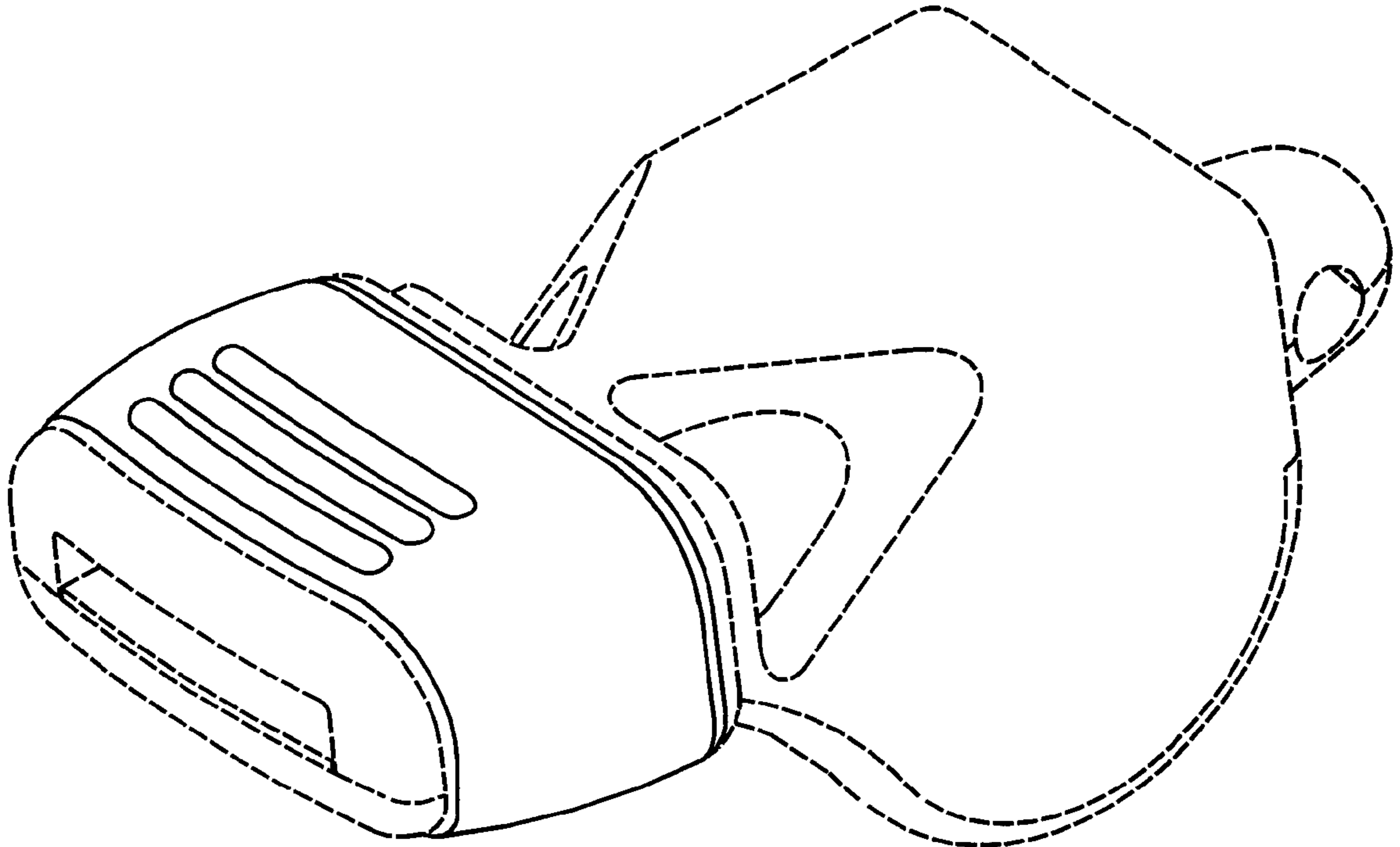
We claim the design for a whistle mouthpiece, as shown and described.

DESCRIPTION

FIG. 1 is a front and right side perspective view of a whistle mouth showing my new design;
FIG. 2 is a right side elevation view thereof, the left side being a mirror image thereof;
FIG. 3 is a top plan view thereof;
FIG. 4 is a front elevation thereof;
FIG. 5 is a bottom plan view thereof; and,
FIG. 6 is a back elevation view thereof.

The portions of the drawings shown in broken lines indicate surrounding structure which does not form part of the design.

1 Claim, 3 Drawing Sheets



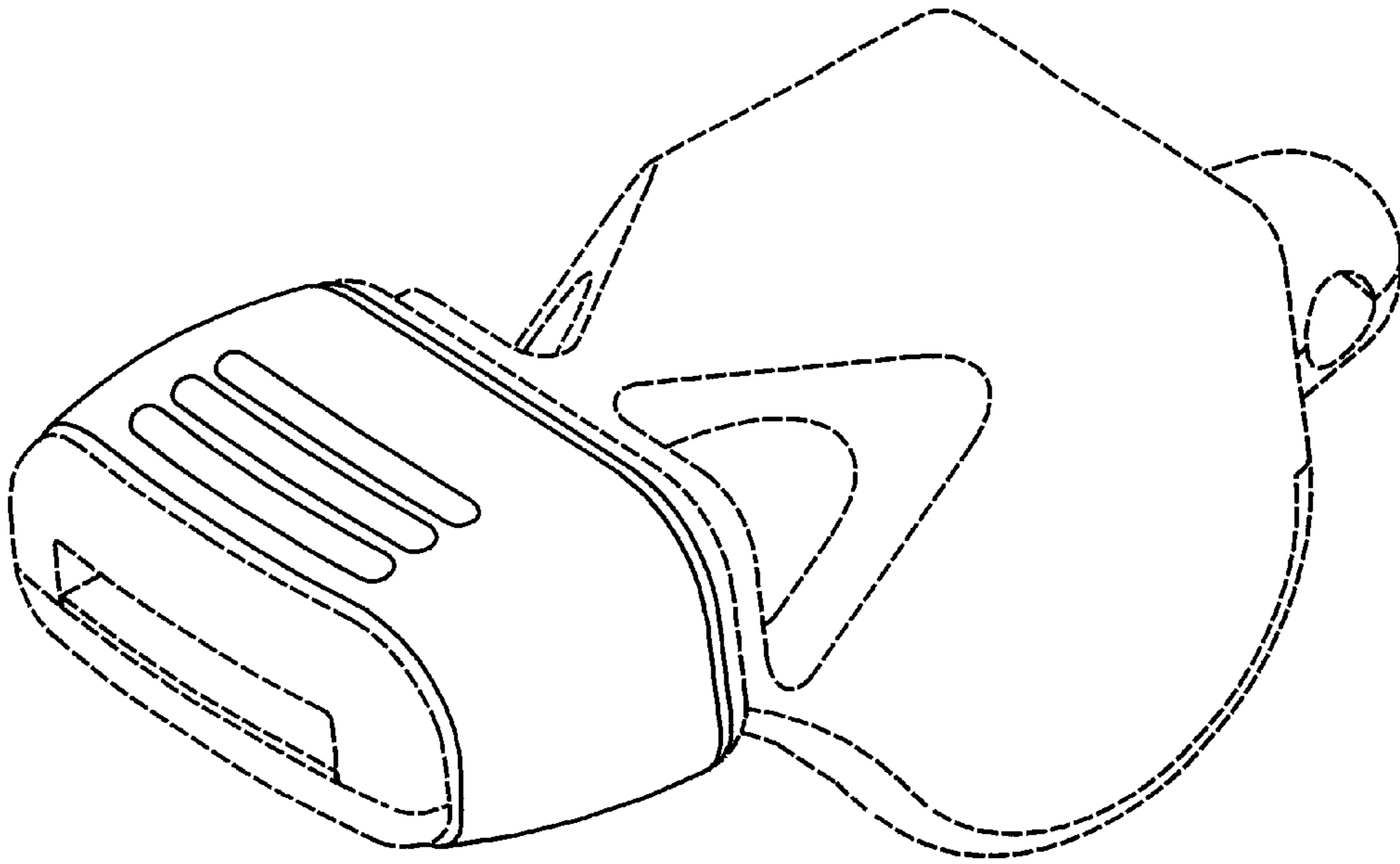


Fig 1

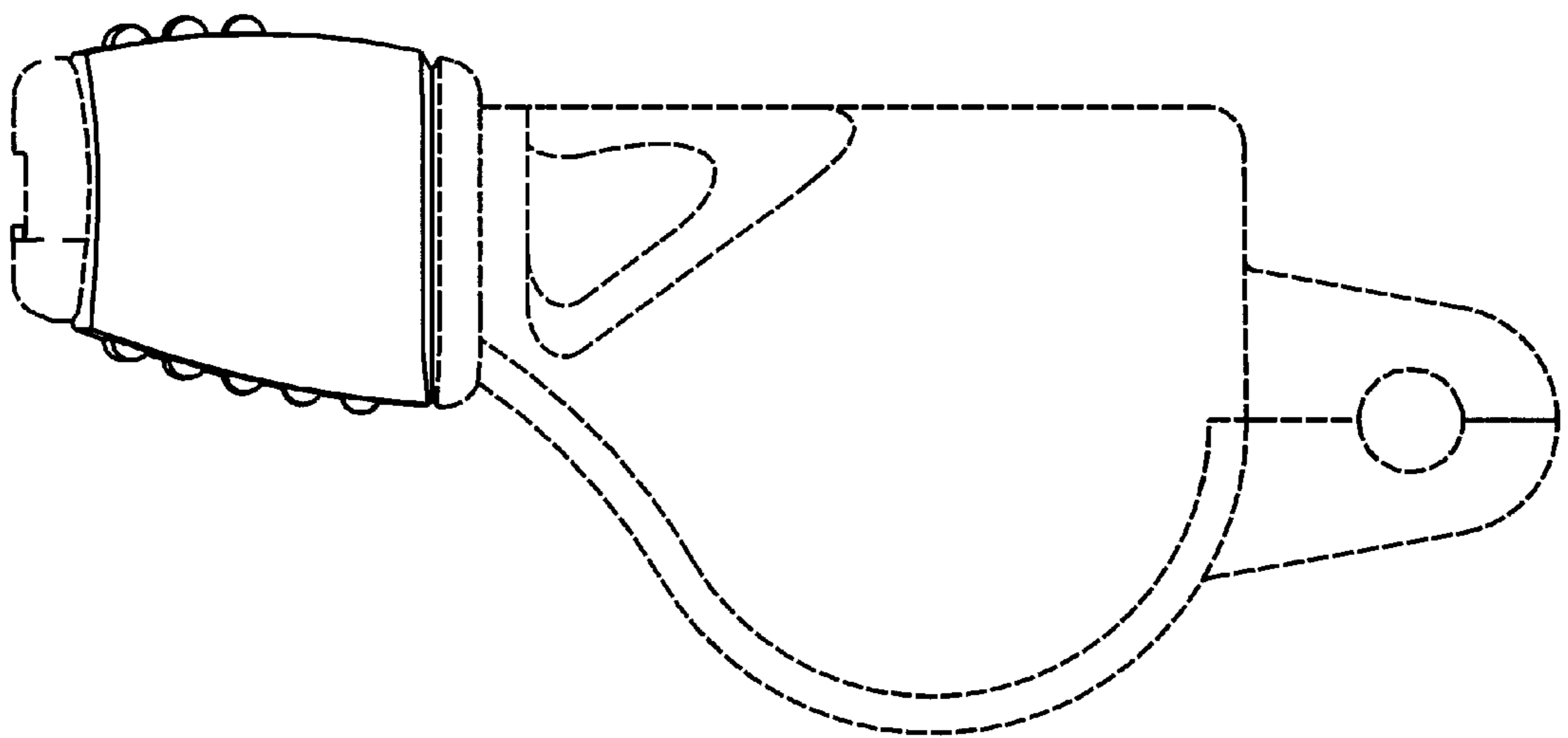


Fig 2

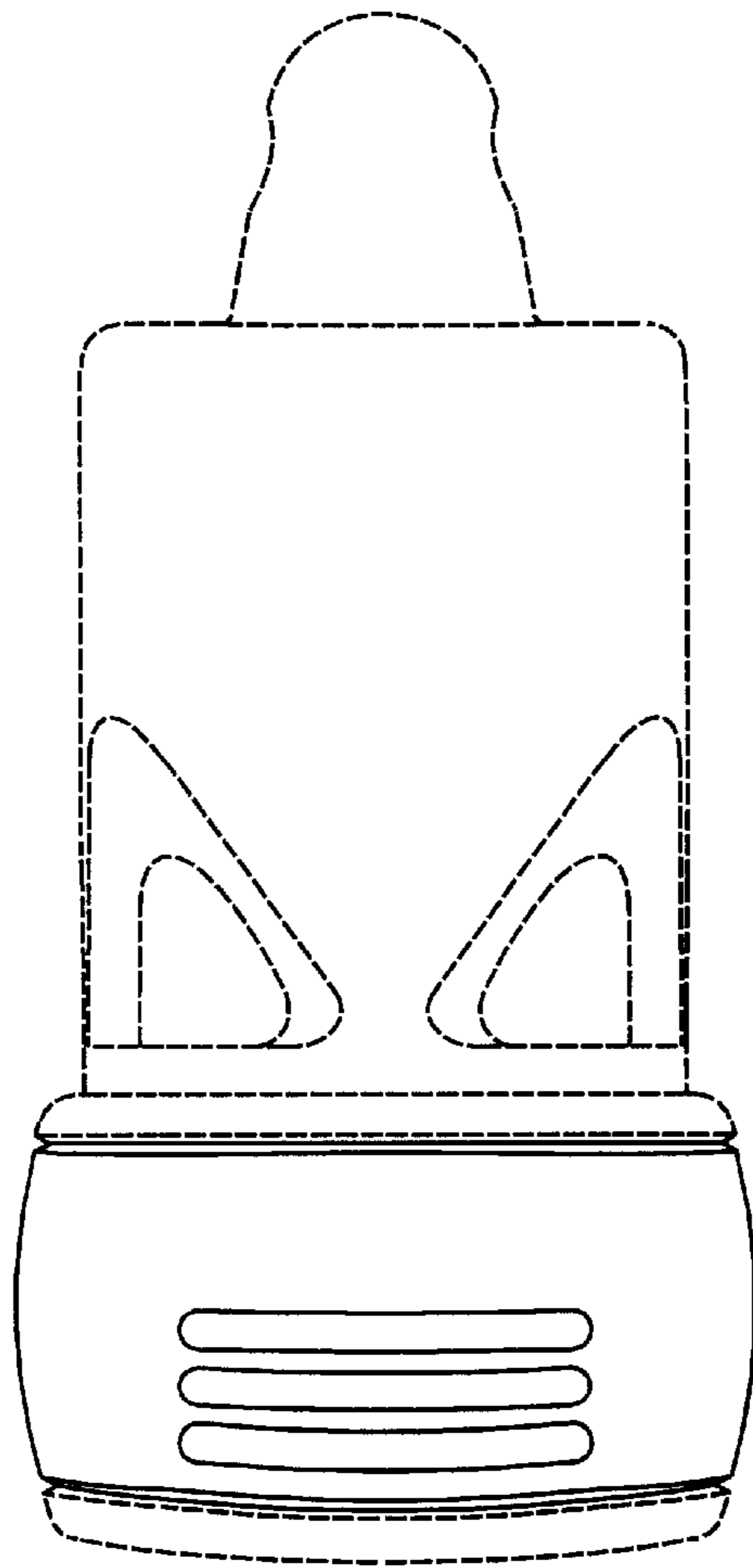


Fig 3

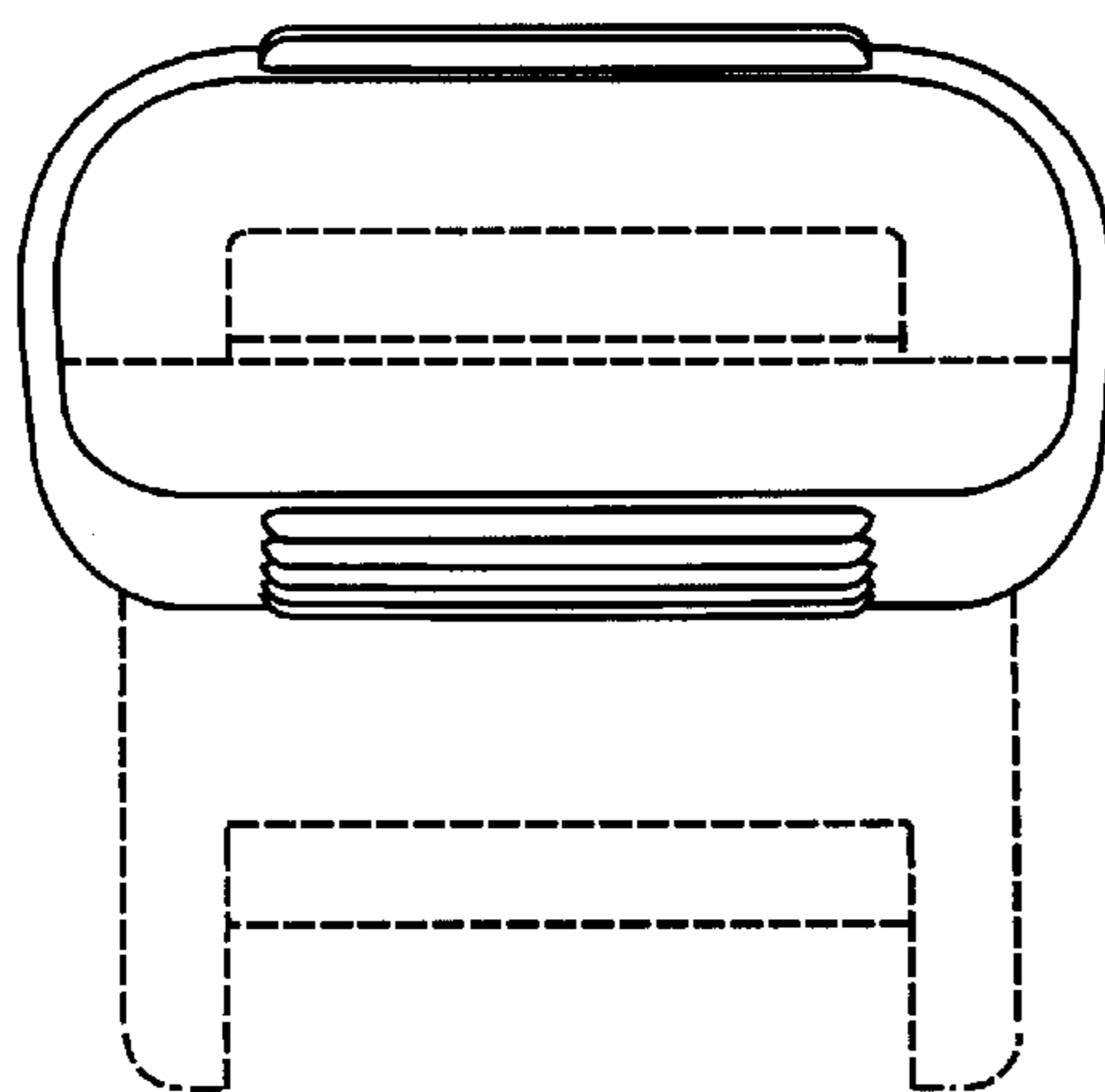


Fig 4

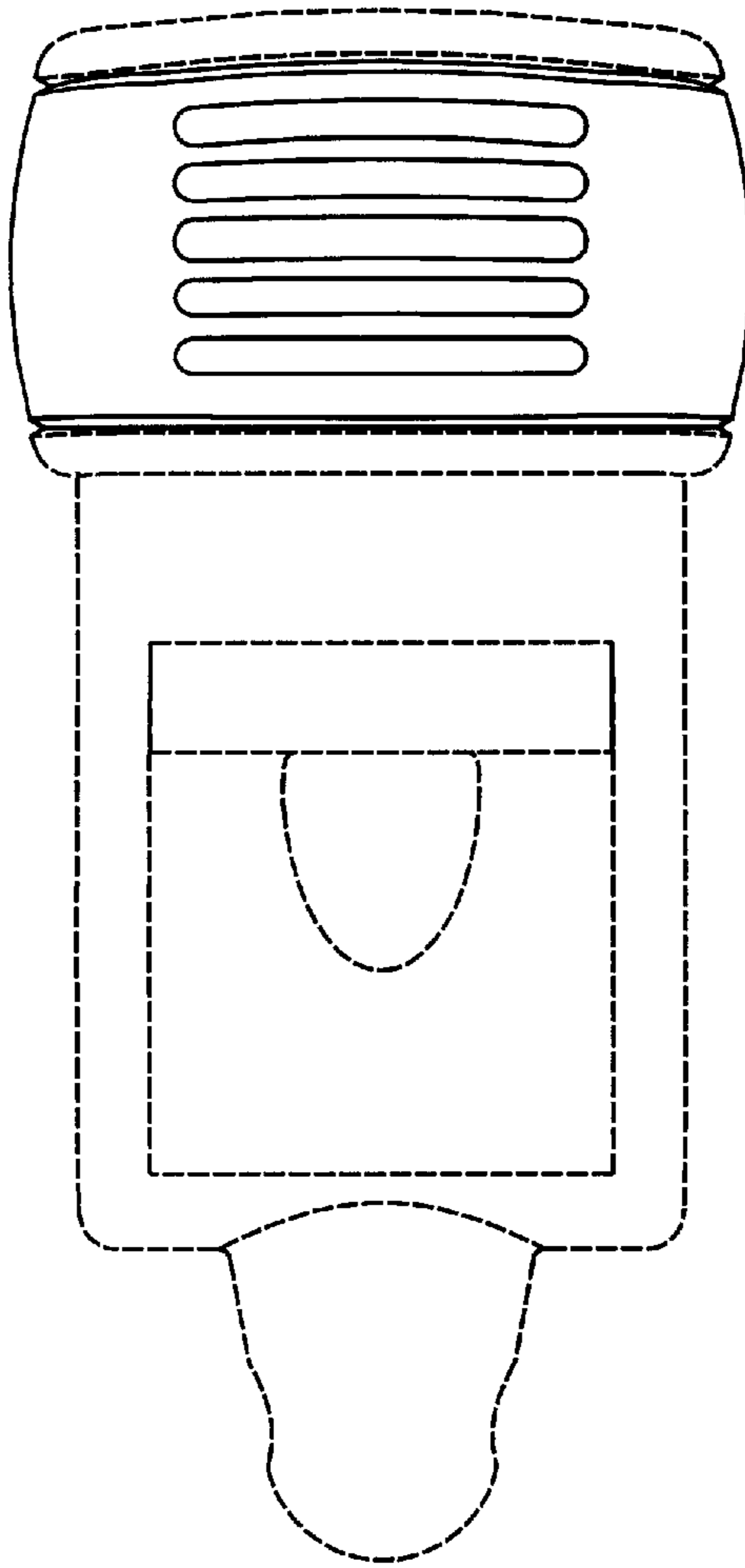


Fig 5

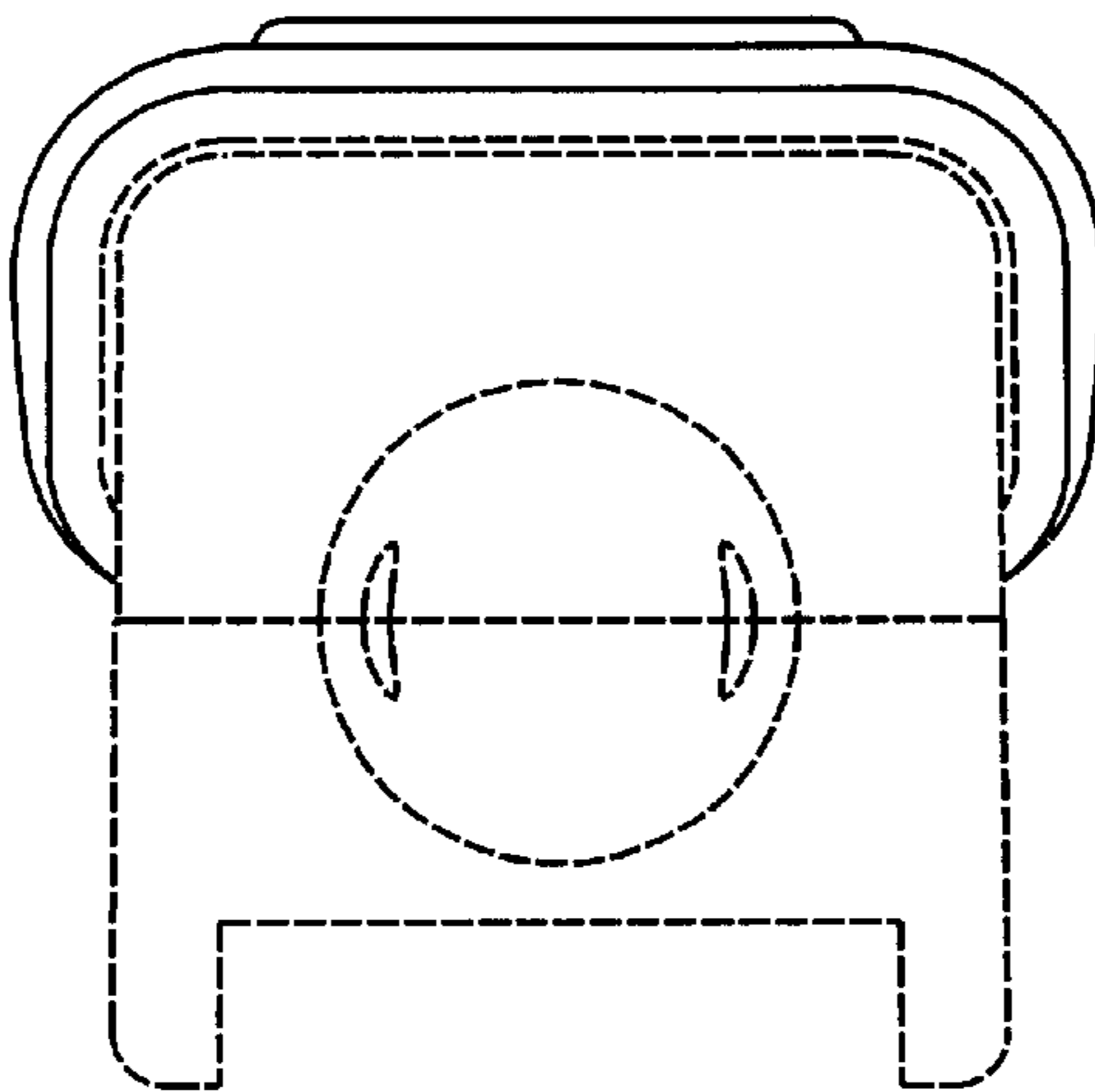


Fig 6