



US00D462913S

(12) **United States Design Patent**
Brisbee

(10) **Patent No.:** **US D462,913 S**

(45) **Date of Patent:** **** Sep. 17, 2002**

(54) **FUEL INDICATOR KNOB**

D411,963 S * 7/1999 Whitley D10/122
6,152,067 A * 11/2000 Mathison 116/308
D438,481 S * 3/2001 Green D10/123

(76) **Inventor:** **Garrett Allen Brisbee**, 824 Acacia Dr.,
Burlingame, CA (US) 94010

* cited by examiner

(**) **Term:** **14 Years**

Primary Examiner—Nelson C. Holtje
(74) *Attorney, Agent, or Firm*—Carol D. Titus; James J. Leary

(21) **Appl. No.:** **29/145,881**

(22) **Filed:** **Jul. 30, 2001**

(57) **CLAIM**

(51) **LOC (7) Cl.** **10-05**

The ornamental design for a fuel indicator knob, as shown.

(52) **U.S. Cl.** **D10/102; D10/122**

(58) **Field of Search** D10/101–103,
D10/122–127, 109; 368/232, 223, 237–238;
116/289, 46–47, 284, 51, 298, 319–320

DESCRIPTION

(56) **References Cited**

U.S. PATENT DOCUMENTS

2,261,515 A * 11/1941 Emery 116/309
4,446,811 A * 5/1984 Howie, Jr. 116/309
4,480,470 A * 11/1984 Tussing 73/427
D303,098 S * 8/1989 Nester D10/102
D309,902 S * 8/1990 Schneider D15/9.1
D313,949 S * 1/1991 Fekete D10/101
D343,581 S * 1/1994 Lorenz D10/102

FIG. 1 is a perspective view of the fuel indicator knob inset into a fuel container, the hidden line showing of the container is for illustrative purposes only and forms no part of the claimed design;

FIG. 2 is a top view of the thereof;

FIG. 3 is a bottom view thereof;

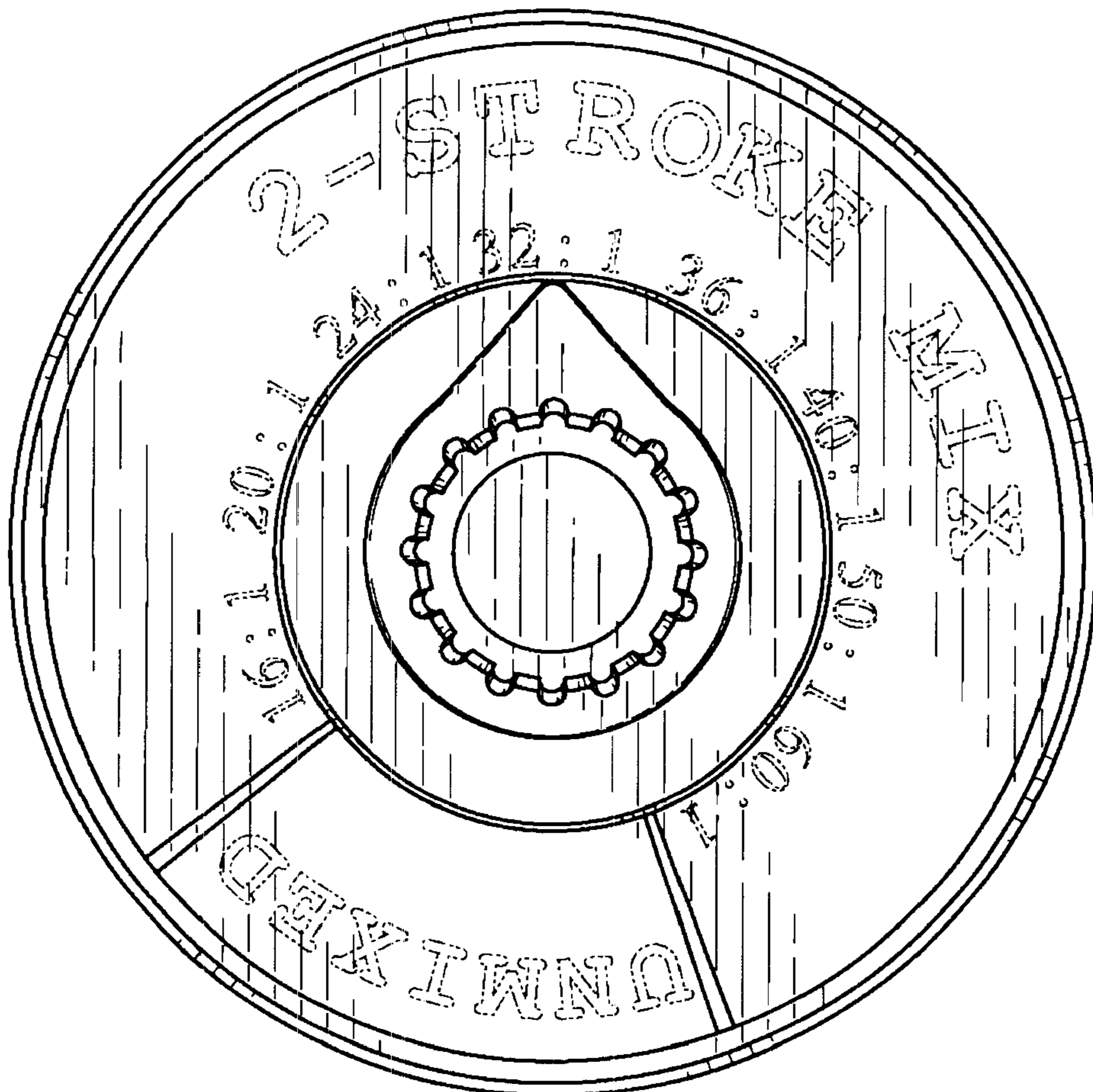
FIG. 4 is a front view thereof;

FIG. 5 is a back view thereof;

FIG. 6 is a right side view thereof; and,

FIG. 7 is a left view thereof.

1 Claim, 3 Drawing Sheets



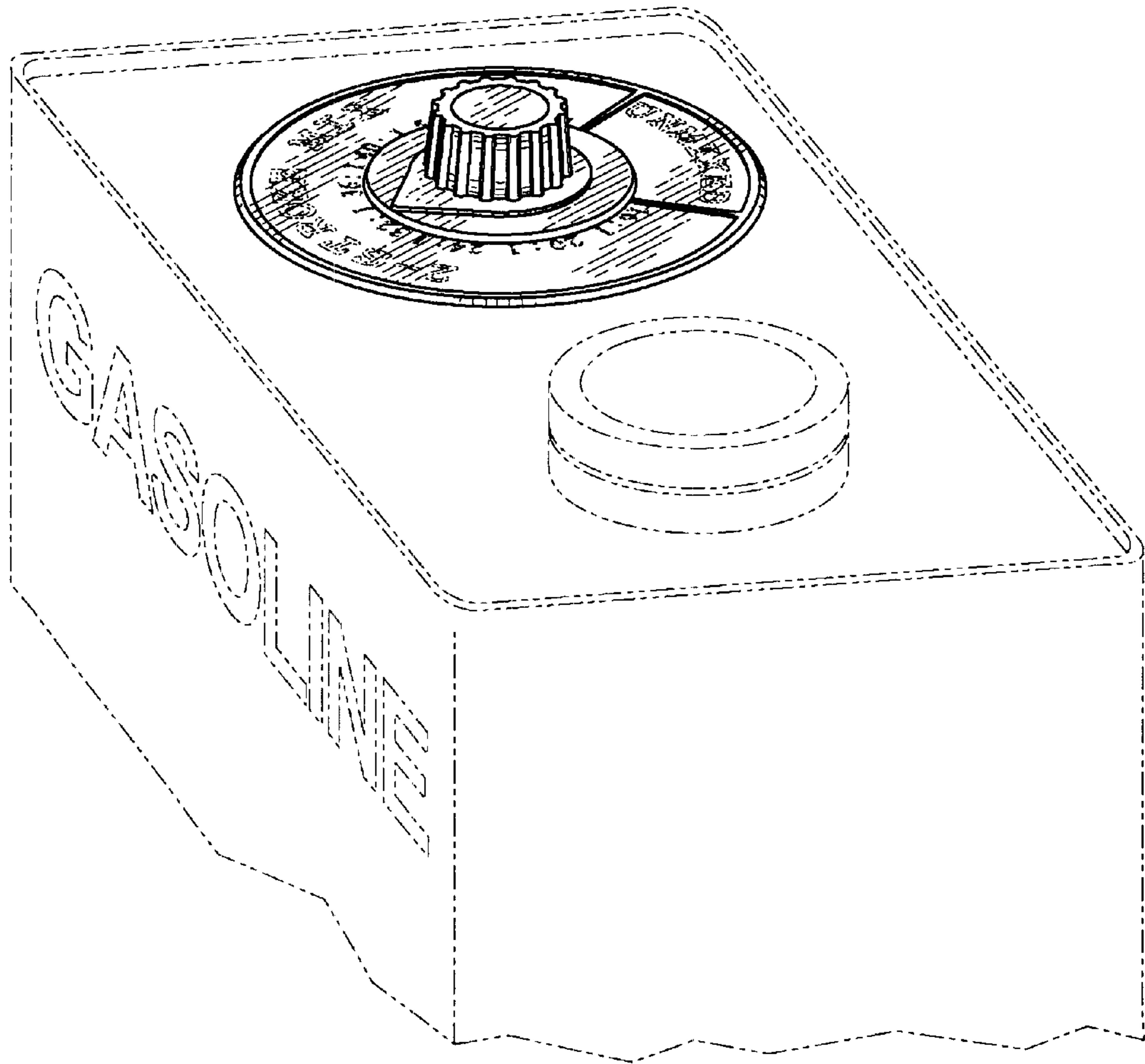


FIG. 1

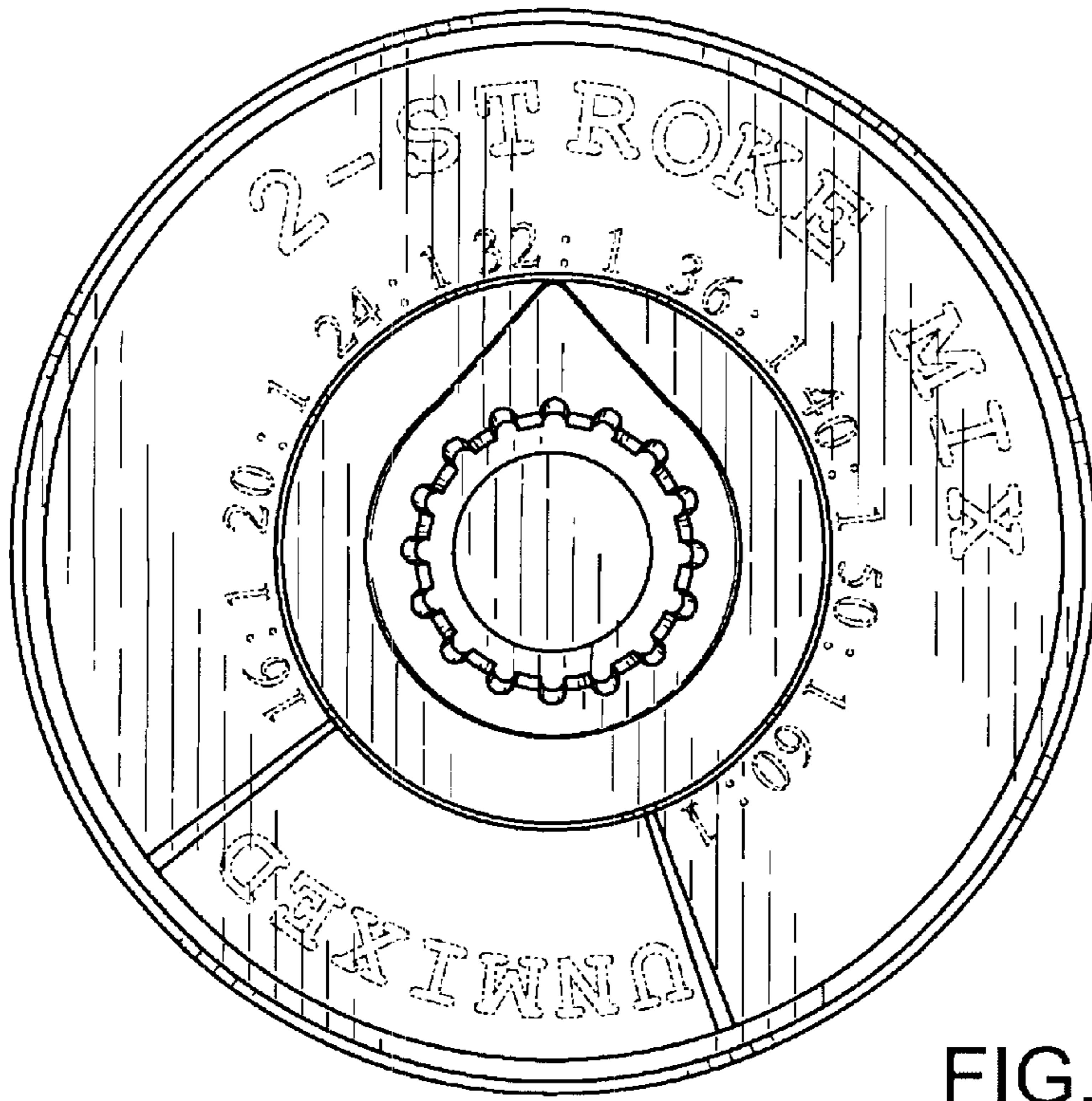


FIG. 2

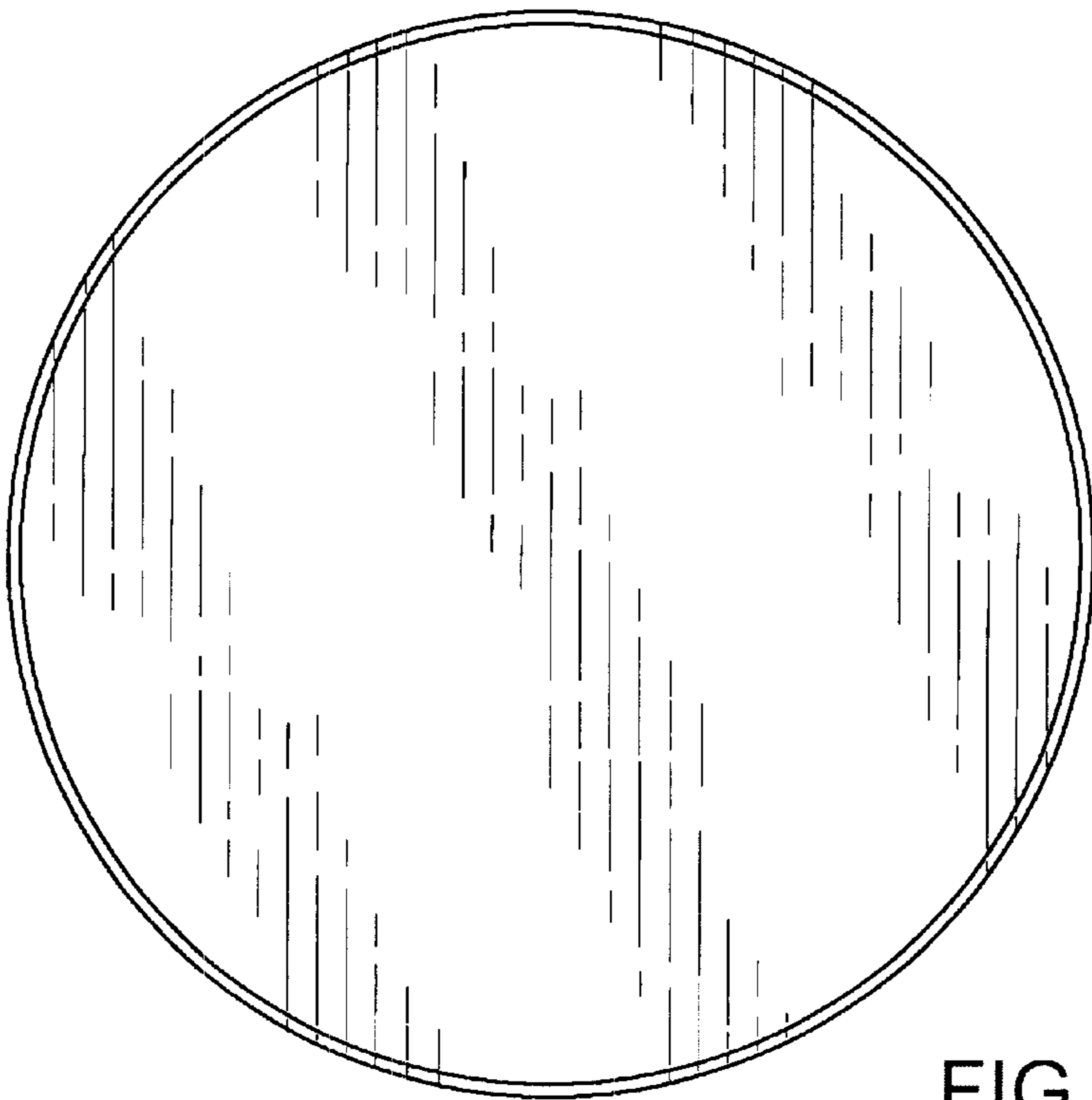


FIG. 3

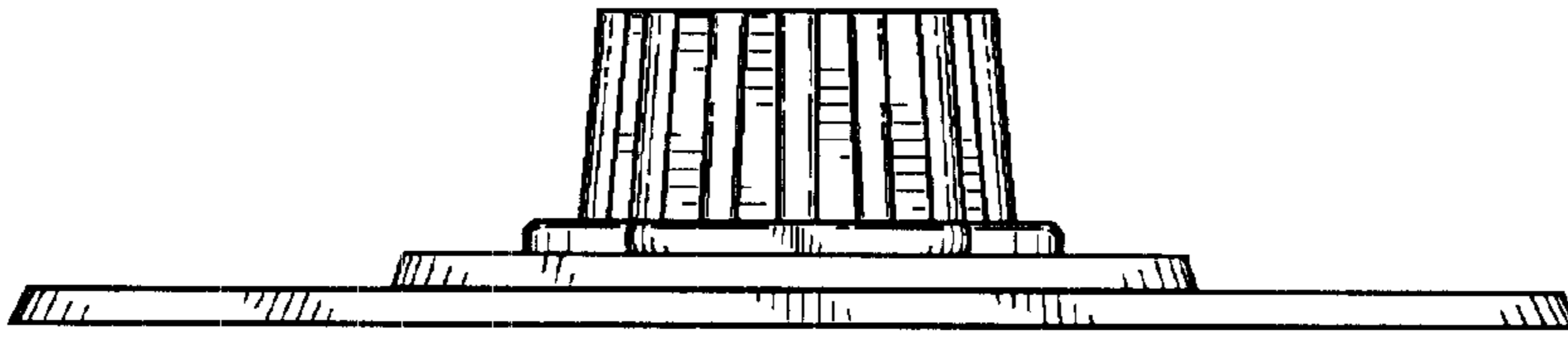


FIG. 4

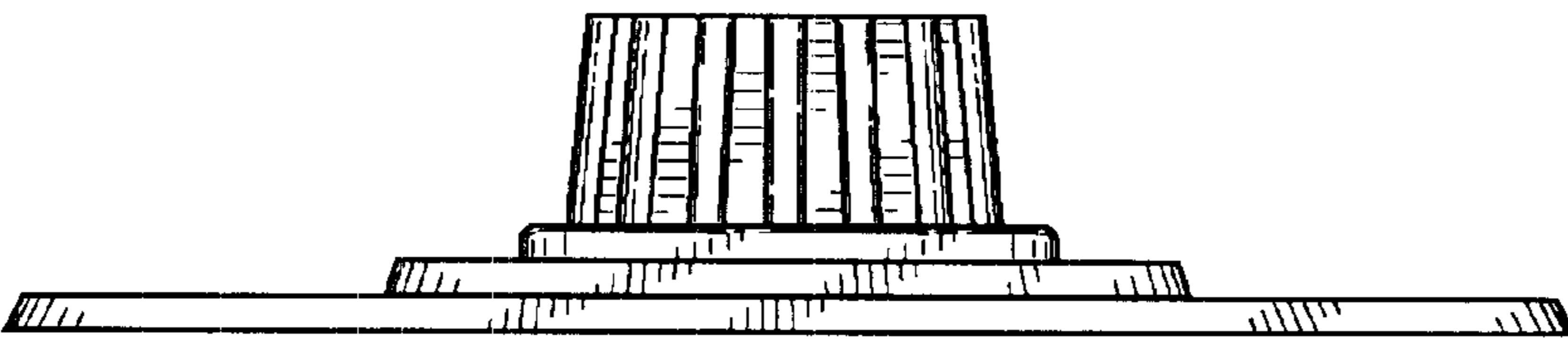


FIG. 5

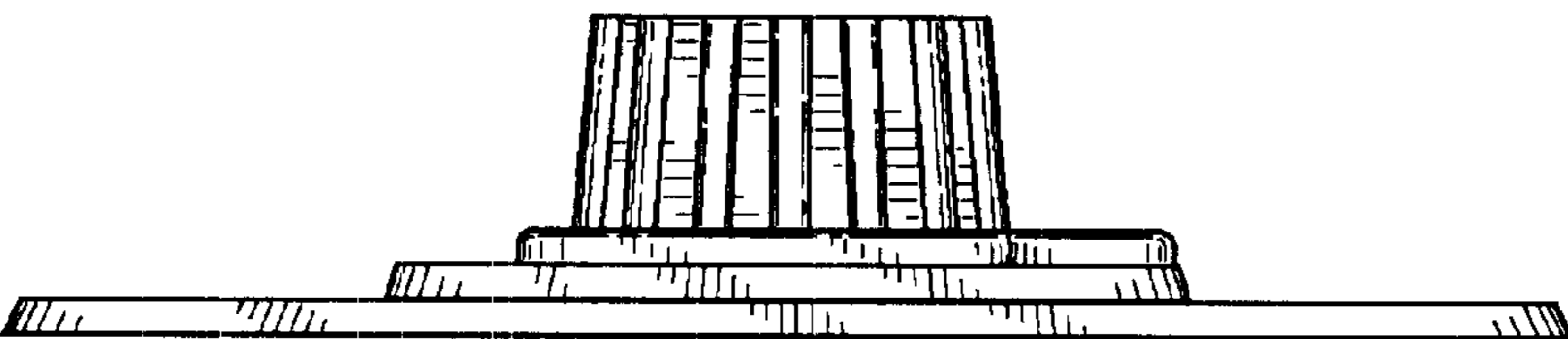


FIG. 6

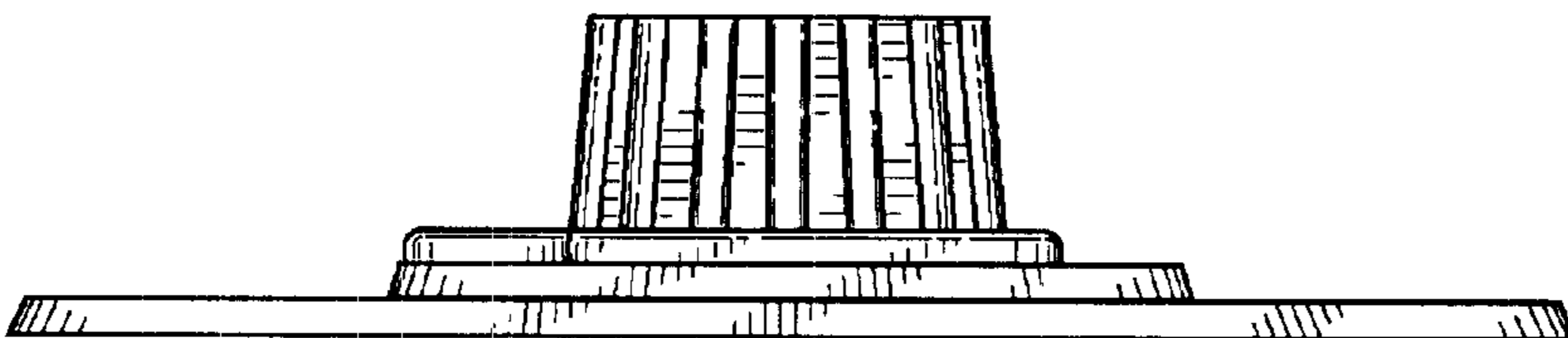


FIG. 7