



US00D462911S

(12) **United States Design Patent**
Odachowski

(10) **Patent No.:** **US D462,911 S**

(45) **Date of Patent:** **** Sep. 17, 2002**

(54) **TAPE MEASURE**

(76) **Inventor:** **Mark Odachowski**, 9939 Jerry Mack Rd., Suite 400, Ocean City, MD (US) 21842

(**) **Term:** **14 Years**

(21) **Appl. No.:** **29/142,570**

(22) **Filed:** **May 31, 2001**

Related U.S. Application Data

(63) Continuation-in-part of application No. 09/704,324, filed on Nov. 2, 2000, which is a continuation-in-part of application No. 09/494,935, filed on Feb. 1, 2000.

(51) **LOC (7) Cl.** **10-04**

(52) **U.S. Cl.** **D10/72**

(58) **Field of Search** D10/72; 33/755-770

(56) **References Cited**

U.S. PATENT DOCUMENTS

1,081,673 A	12/1913	Kueffel	
1,986,551 A	1/1935	Anderson	
3,164,907 A	1/1965	Quenot	
3,270,421 A	9/1966	Jones	
3,289,305 A	12/1966	Norton	
3,686,767 A	8/1972	Duda et al.	
3,774,309 A	11/1973	Leopoldi	
3,908,277 A	9/1975	Rutty	
4,153,996 A	5/1979	Rutty	
4,171,109 A	* 10/1979	Roe	33/769
4,194,703 A	3/1980	Roe	
4,215,829 A	* 8/1980	Boyllin	33/761
4,352,244 A	10/1982	Tomuro	
4,439,927 A	4/1984	Elliott	

4,458,856 A	*	7/1984	Mansel-James	33/755
4,462,160 A		7/1984	Cohen et al.	
4,603,481 A		8/1986	Cohen et al.	
4,696,110 A		9/1987	Walker et al.	
4,748,746 A		6/1988	Jacoff	
4,938,430 A		7/1990	Chapin	
5,210,956 A		5/1993	Knispel	
5,245,761 A		9/1993	Waldherr	
D377,611 S	*	1/1997	Mikias	D10/72
5,657,551 A		8/1997	Lin	
5,718,056 A		2/1998	Miyasaka et al.	
5,894,677 A		4/1999	Hoffman	
5,913,586 A		6/1999	Marshall	
5,983,514 A		11/1999	Lindsey	
D423,959 S	*	5/2000	Taylor	D10/72
6,138,373 A	*	10/2000	Mann	33/766

* cited by examiner

Primary Examiner—Antoine Duval Davis
(74) *Attorney, Agent, or Firm*—Oblon, Spivak, McClelland, Maier & Neustadt, P.C.

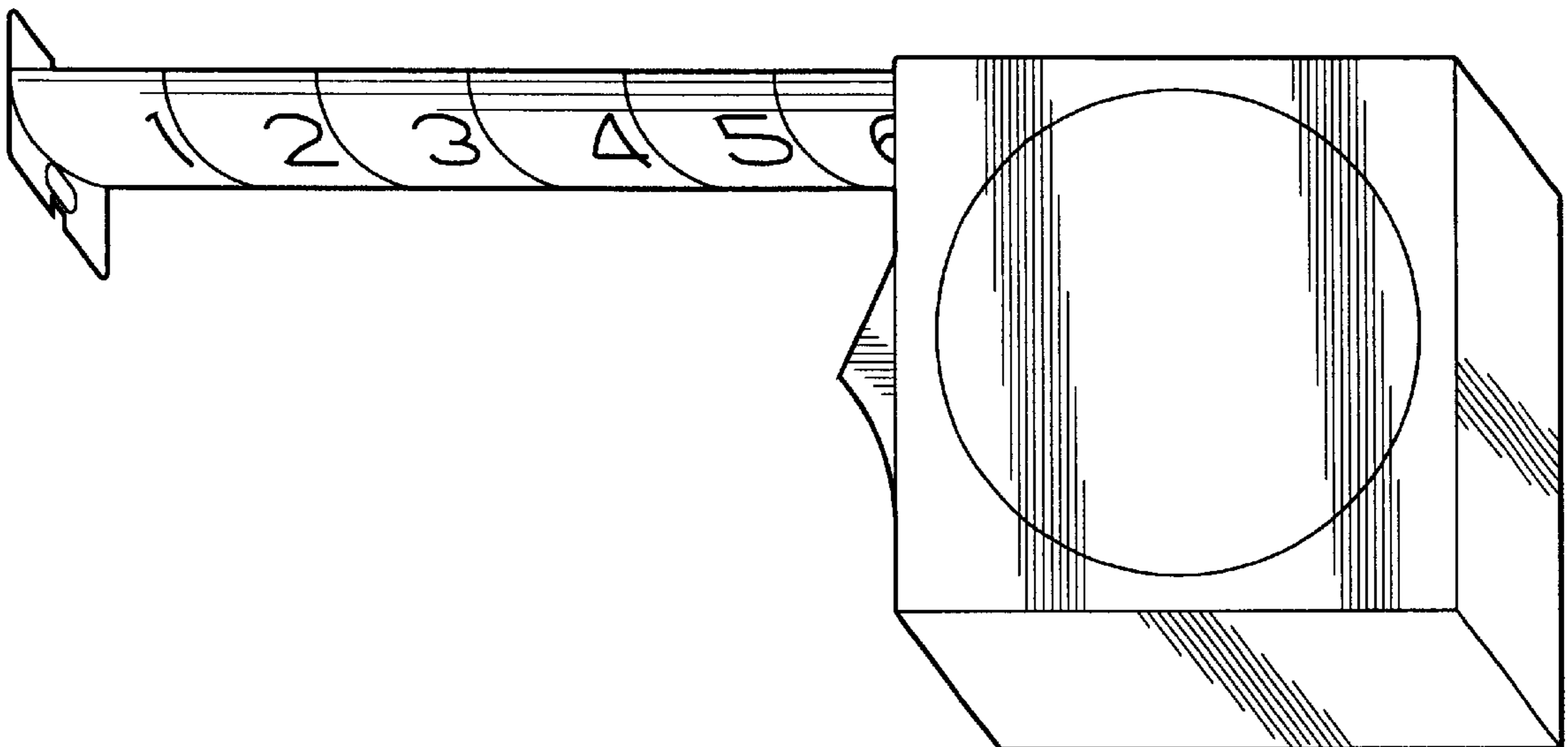
(57) **CLAIM**

The ornamental design for a tape measure, as shown and described.

DESCRIPTION

FIG. 1 is a bottom, front and left side perspective view of a tape measure showing my new design;
FIG. 2 is a top, front and left side perspective view thereof;
FIG. 3 is a rear, top and right side perspective view thereof;
and,
FIG. 4 is a rear, bottom and right side perspective view thereof.

1 Claim, 4 Drawing Sheets



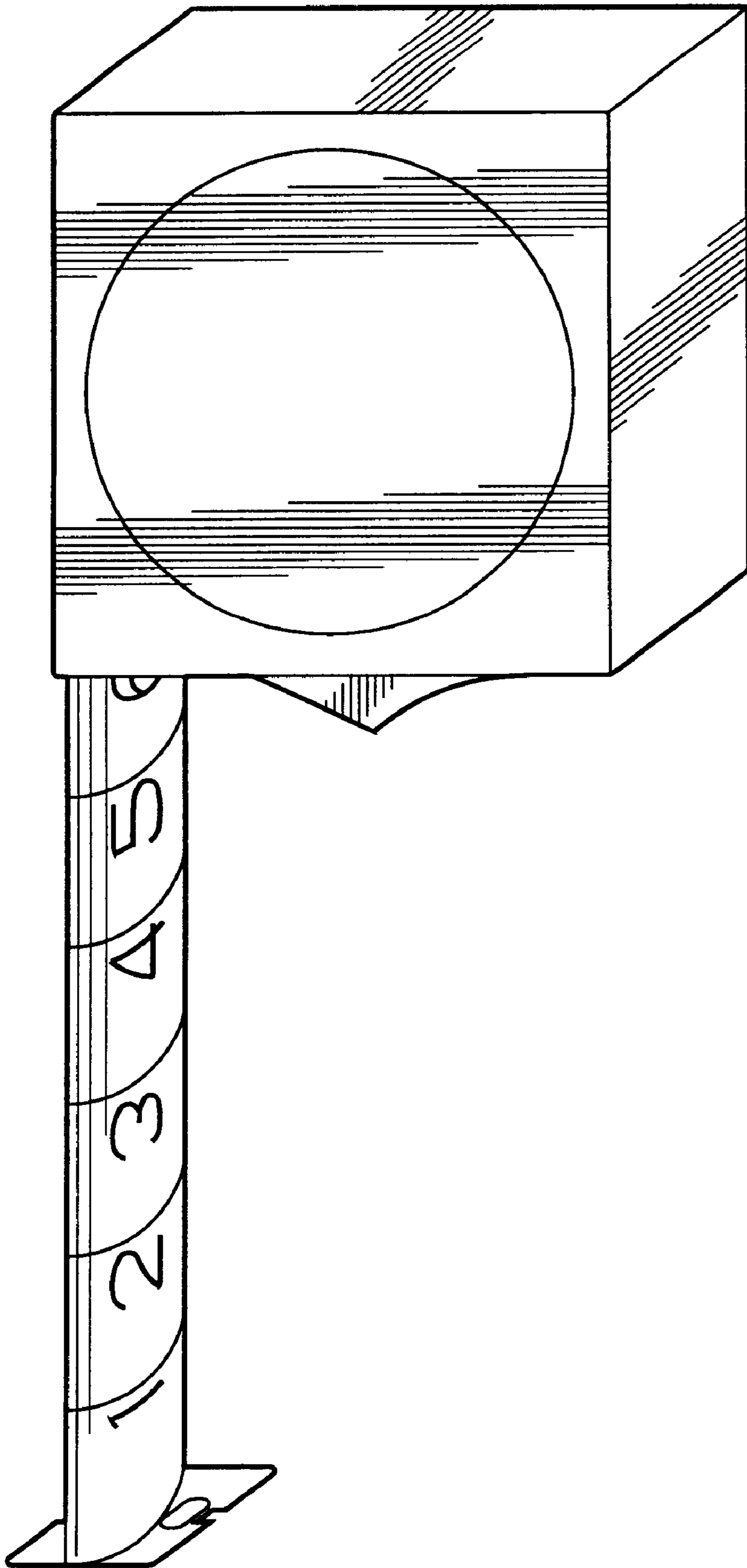


FIG. 1

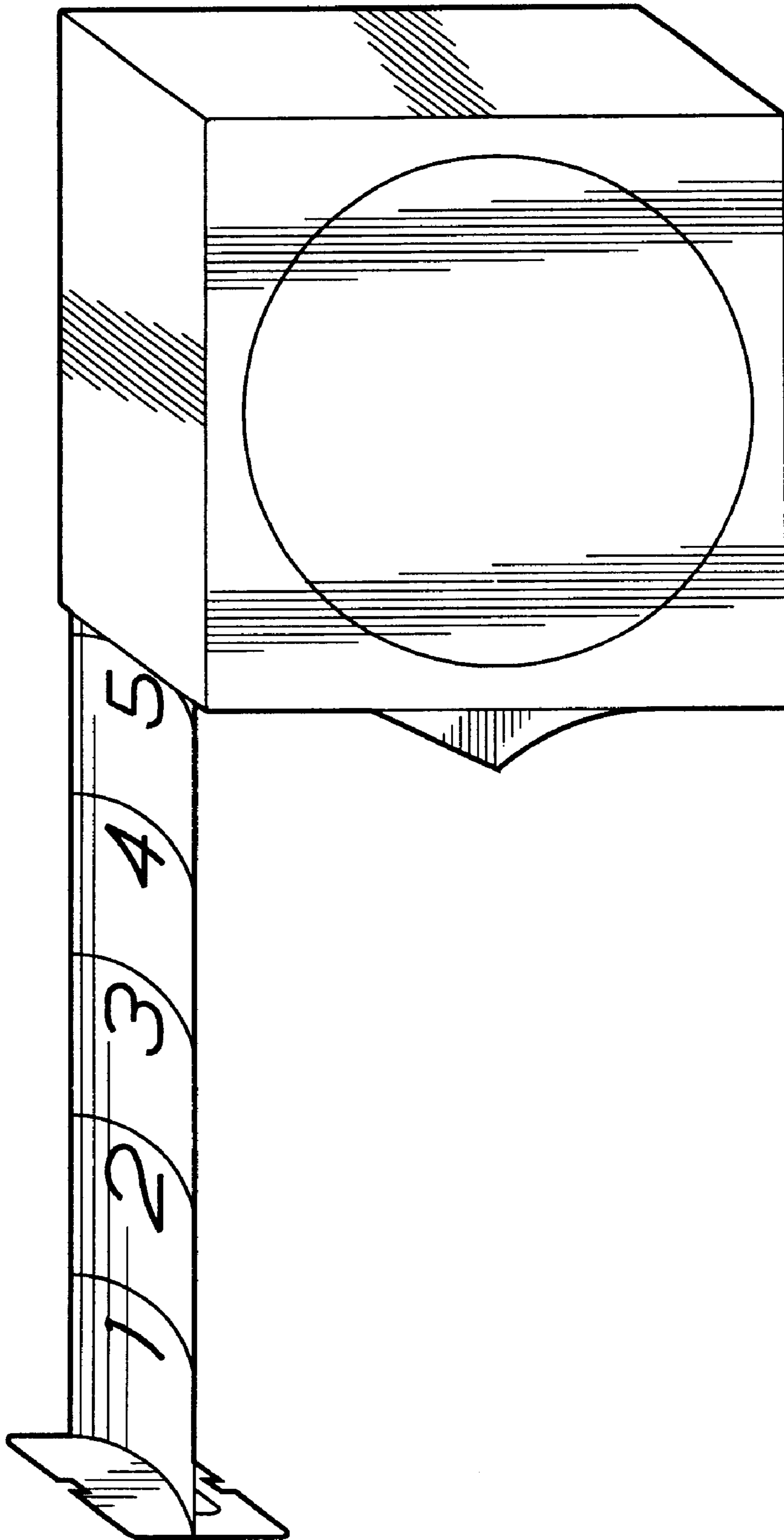


FIG. 2

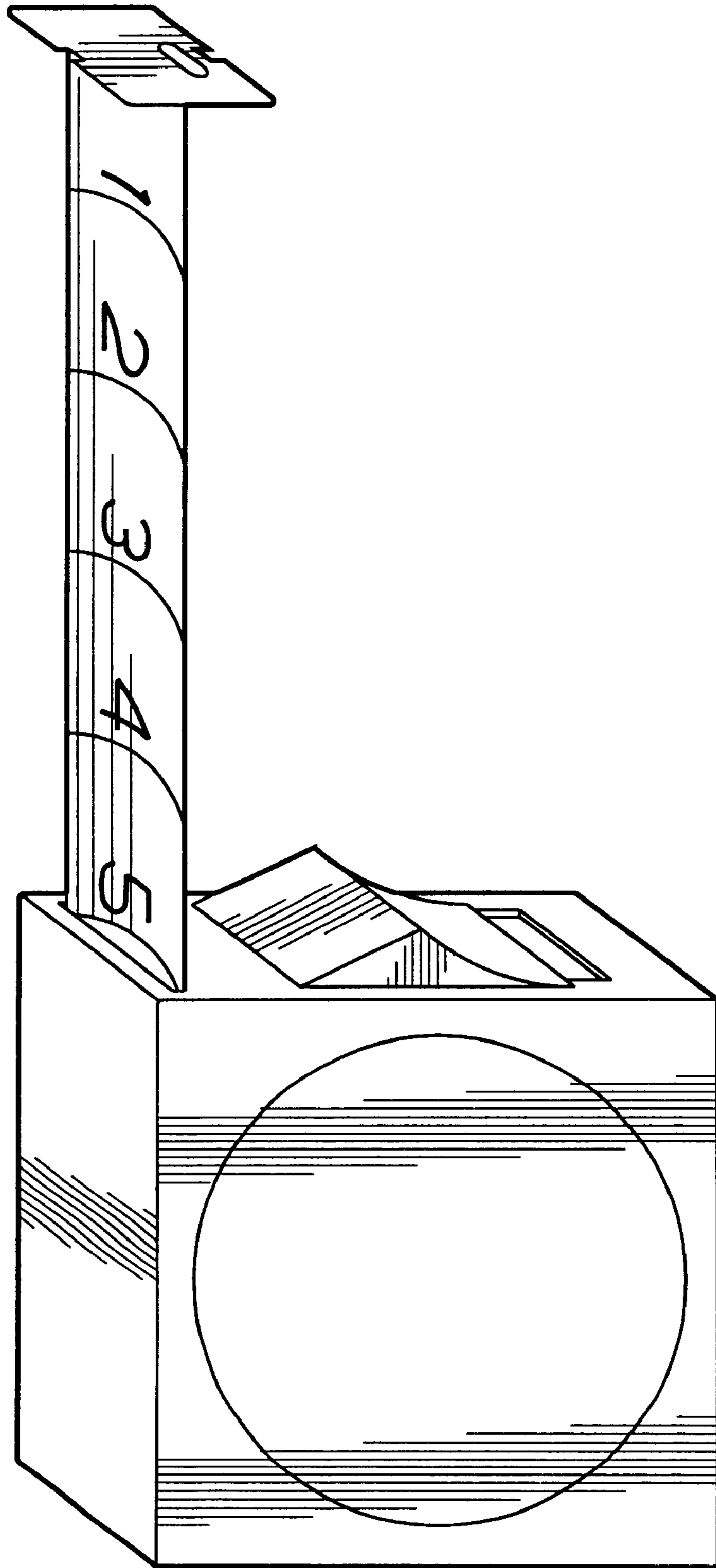


FIG. 3

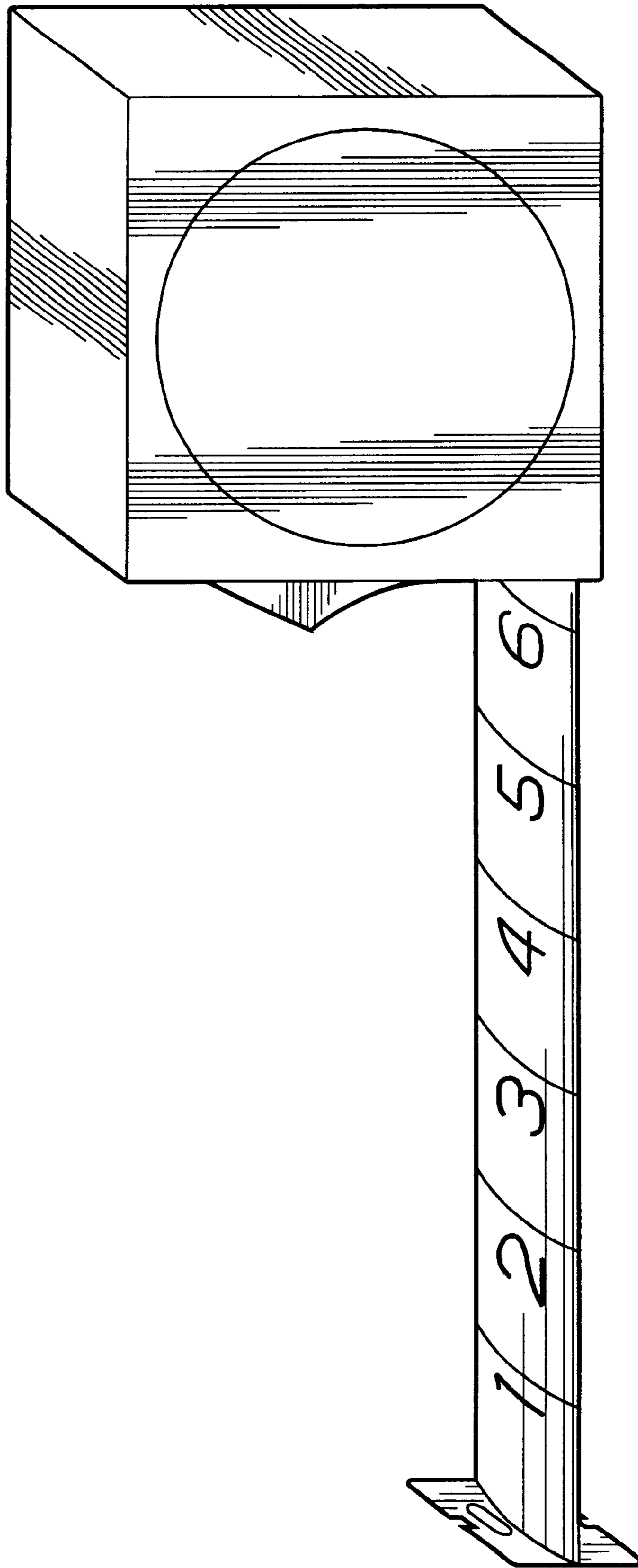


FIG. 4