



US00D462910S

(12) **United States Design Patent**
Dumas

(10) **Patent No.:** **US D462,910 S**

(45) **Date of Patent:** **** Sep. 17, 2002**

(54) **WATCH**

FOREIGN PATENT DOCUMENTS

(75) Inventor: **Jean-Louis Dumas**, Paris (FR)

CH 204293 * 4/1939 D10/39 UX

(73) Assignee: **La Montre Hermes S.A.**, Brugg (CH)

* cited by examiner

(**) Term: **14 Years**

Primary Examiner—Nelson C. Holtje

(74) *Attorney, Agent, or Firm*—Darby & Darby

(21) Appl. No.: **29/150,477**

(57) **CLAIM**

(22) Filed: **Nov. 14, 2001**

The ornamental design for a watch, as shown and described.

(51) **LOC (7) Cl.** **10-02**

DESCRIPTION

(52) **U.S. Cl.** **D10/39**

FIG. 1 is a front perspective view of a watch showing my new design;

(58) **Field of Search** D10/30-39, 122-132;
368/281-282, 276-277, 285

FIG. 2 is a top plan view thereof;

FIG. 3 is a right side elevational view thereof;

FIG. 4 is a left side elevational view thereof;

FIG. 5 is a first elevational end view thereof;

FIG. 6 is a second elevational end view thereof, opposite the first elevational end view of FIG. 5; and,

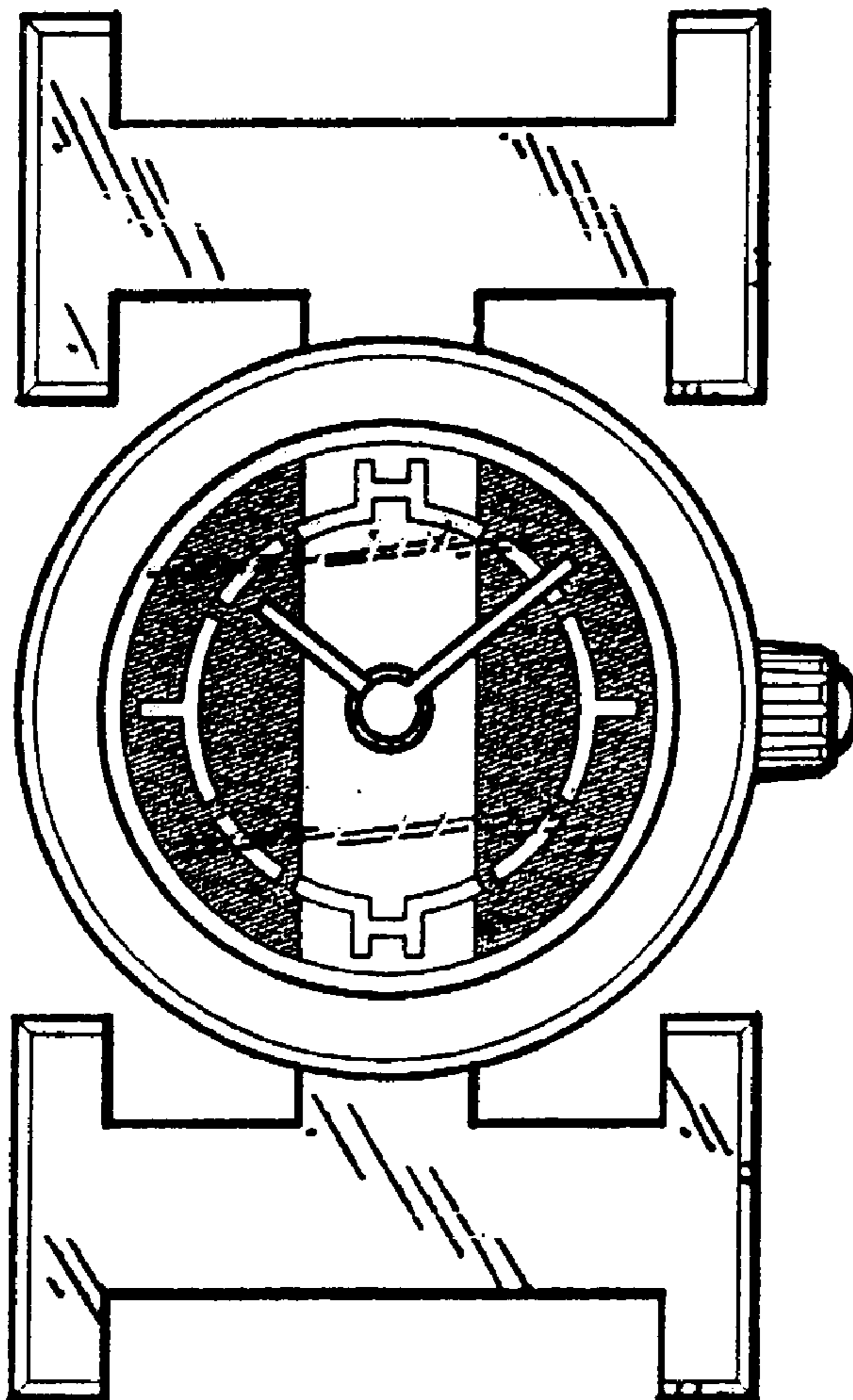
FIG. 7 is a bottom plan view thereof.

(56) **References Cited**

U.S. PATENT DOCUMENTS

- 2,188,471 A * 1/1940 Bridler
- 2,293,940 A * 8/1942 Jahr
- D349,253 S * 8/1994 Brown D10/97
- D361,530 S * 8/1995 Bulgari D10/39
- D396,654 S * 8/1998 Pitteloud D10/39

1 Claim, 2 Drawing Sheets



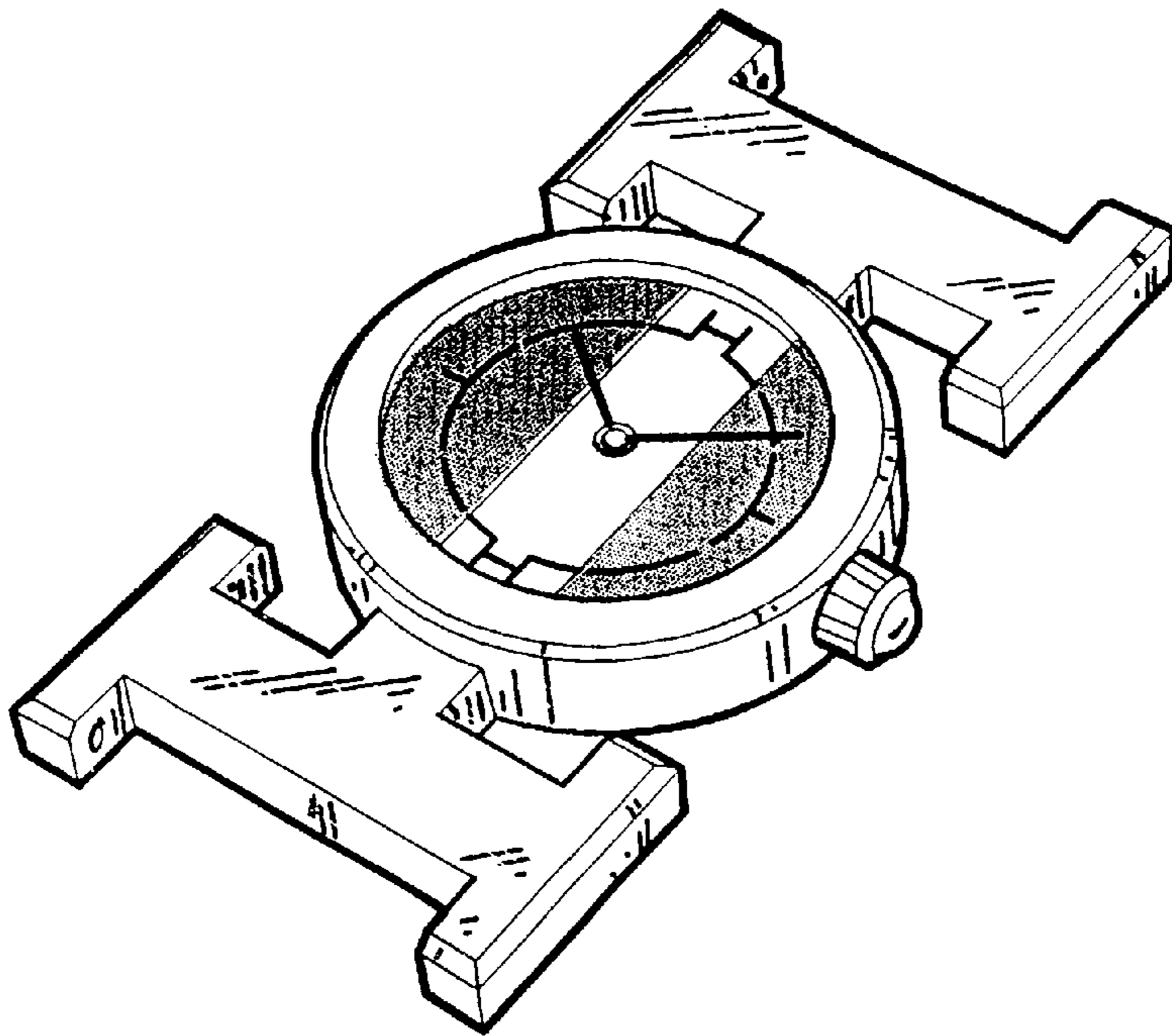


FIGURE 1

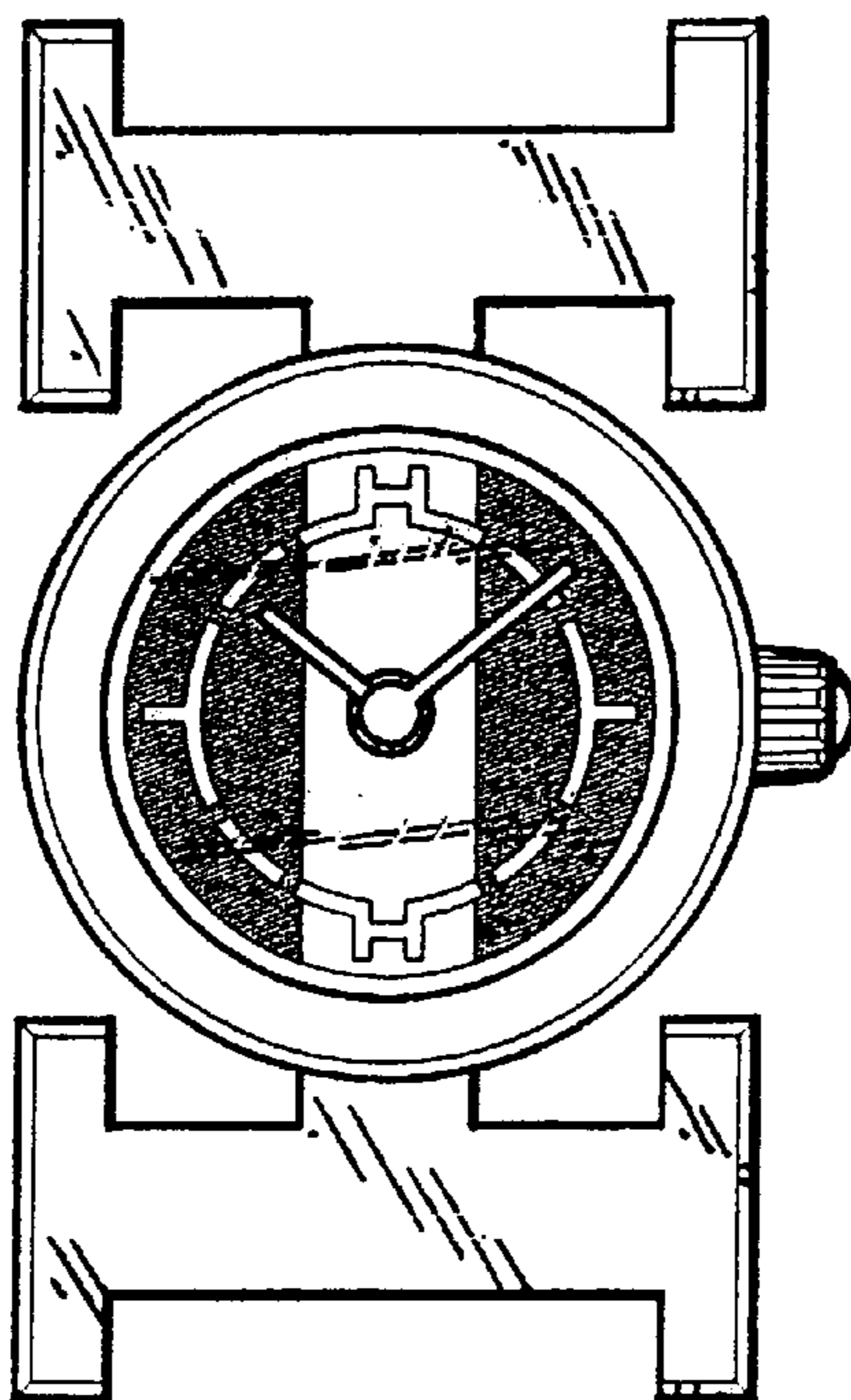


FIGURE 2

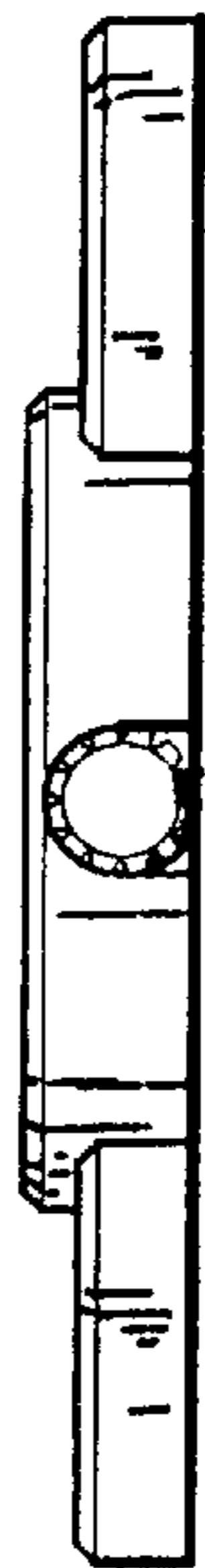


FIGURE 3

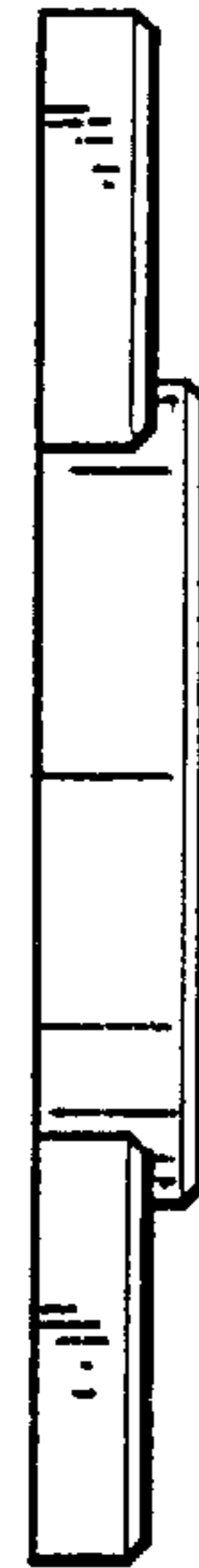


FIGURE 4



FIGURE 5

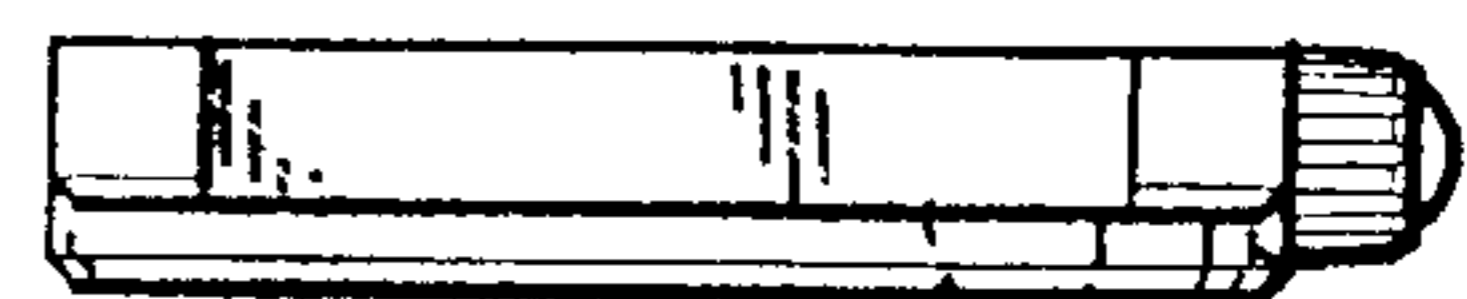


FIGURE 6