



US00D462908S

(12) **United States Design Patent**
Lepeu et al.

(10) **Patent No.:** **US D462,908 S**

(45) **Date of Patent:** **** Sep. 17, 2002**

(54) **WATCH**

(75) **Inventors:** **Richard Lepeu, Paris (FR); Jacques Diltoer, Villeneuve-la-Garenne (FR)**

(73) **Assignee:** **Cartier International, B.V., Amsterdam (NL)**

(**) **Term:** **14 Years**

(21) **Appl. No.:** **29/151,148**

(22) **Filed:** **Nov. 15, 2001**

Related U.S. Application Data

(62) Division of application No. 29/137,284, filed on Feb. 20, 2001, now Pat. No. Des. 453,689.

(30) **Foreign Application Priority Data**

Aug. 25, 2000 (XH) DM/052 959

(51) **LOC (7) Cl.** **10-02**

(52) **U.S. Cl.** **D10/30**

(58) **Field of Search** D10/30-39, 122-132; 368/281-282, 276-277, 285

(56) **References Cited**

U.S. PATENT DOCUMENTS

D421,725 S 3/2000 Iwanaga

D422,514 S * 4/2000 Diltoer et al. D10/39
D434,673 S * 12/2000 Hirata D10/30
D453,689 S * 2/2002 Lepeu et al. D10/32
D455,357 S * 4/2002 Ikegami et al. D10/32

FOREIGN PATENT DOCUMENTS

WO 029 479 * 2/1994

* cited by examiner

Primary Examiner—Nelson C. Holtje

(74) *Attorney, Agent, or Firm*—Darby & Darby

(57) **CLAIM**

The ornamental design for a watch, as shown and described.

DESCRIPTION

FIG. 1 is a perspective view of a watch showing our new design;

FIG. 2 is a top plan view thereof;

FIG. 3 is a bottom plan view thereof;

FIG. 4 is a left side view thereof;

FIG. 5 is a right side view thereof; and,

FIG. 6 is a front elevational view thereof.

The broken line showing of screws, a crown, hands and band portions is for illustrative purposes only and forms no part of the claimed design.

1 Claim, 2 Drawing Sheets

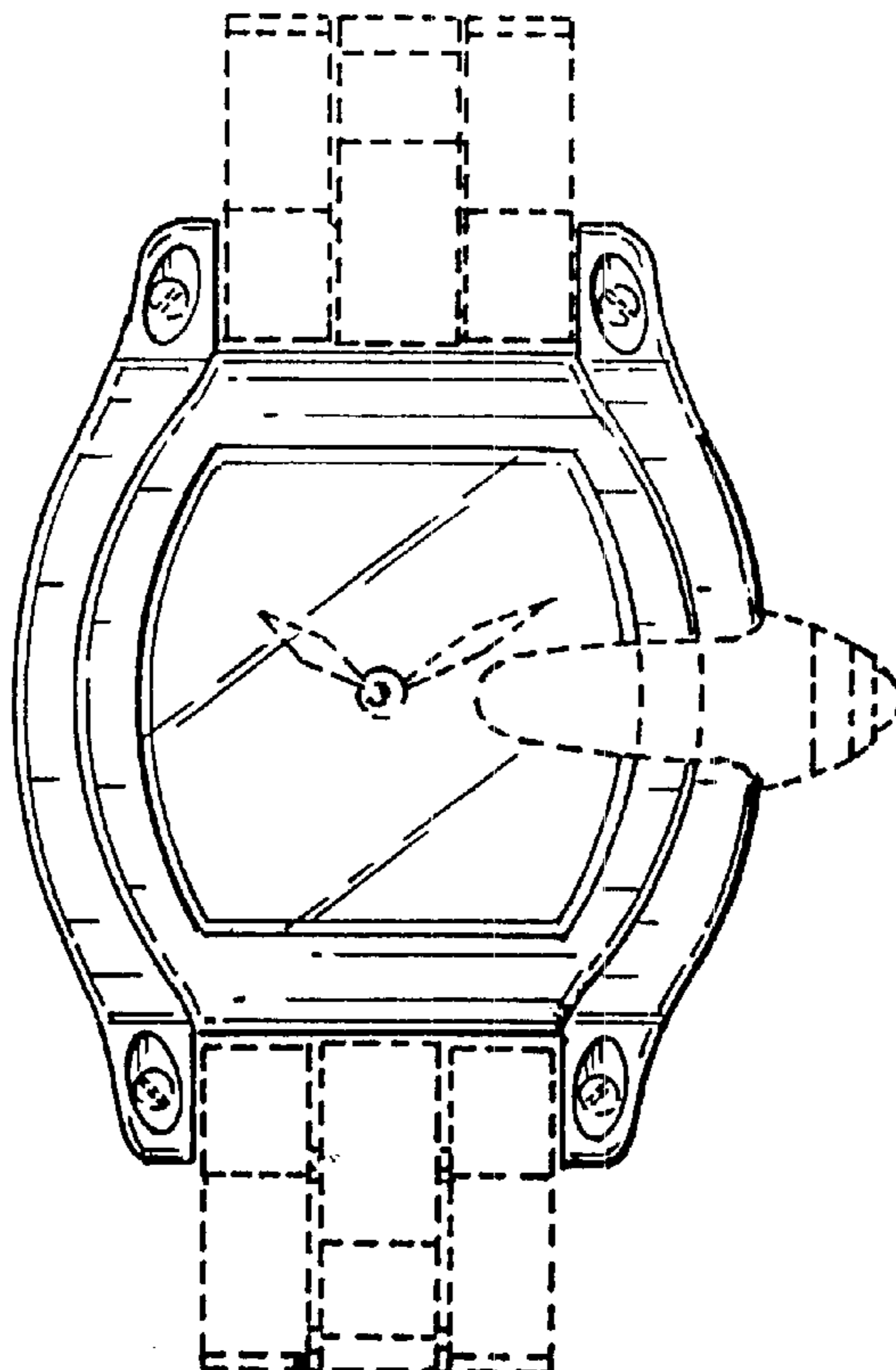


Fig. 1

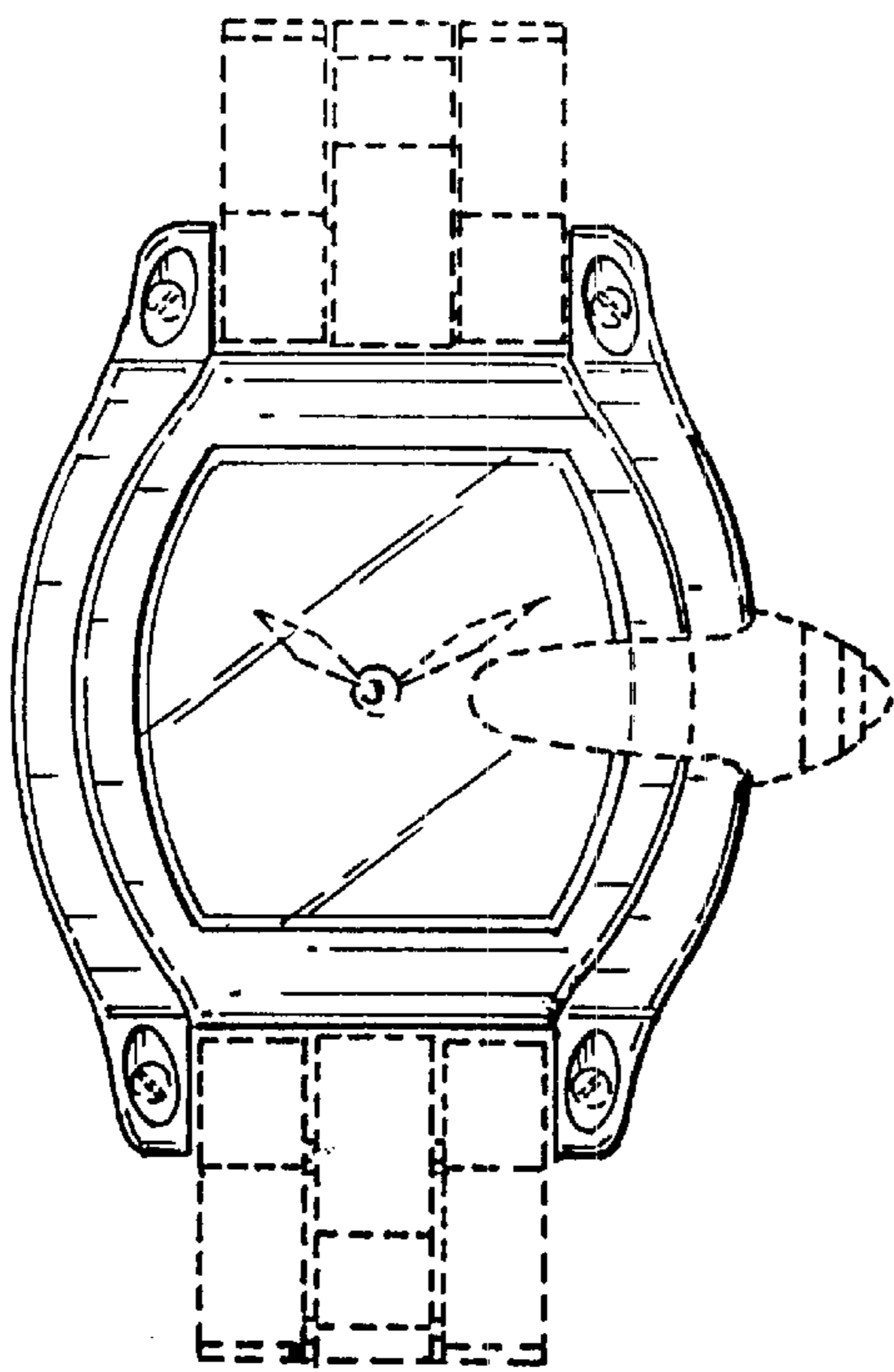
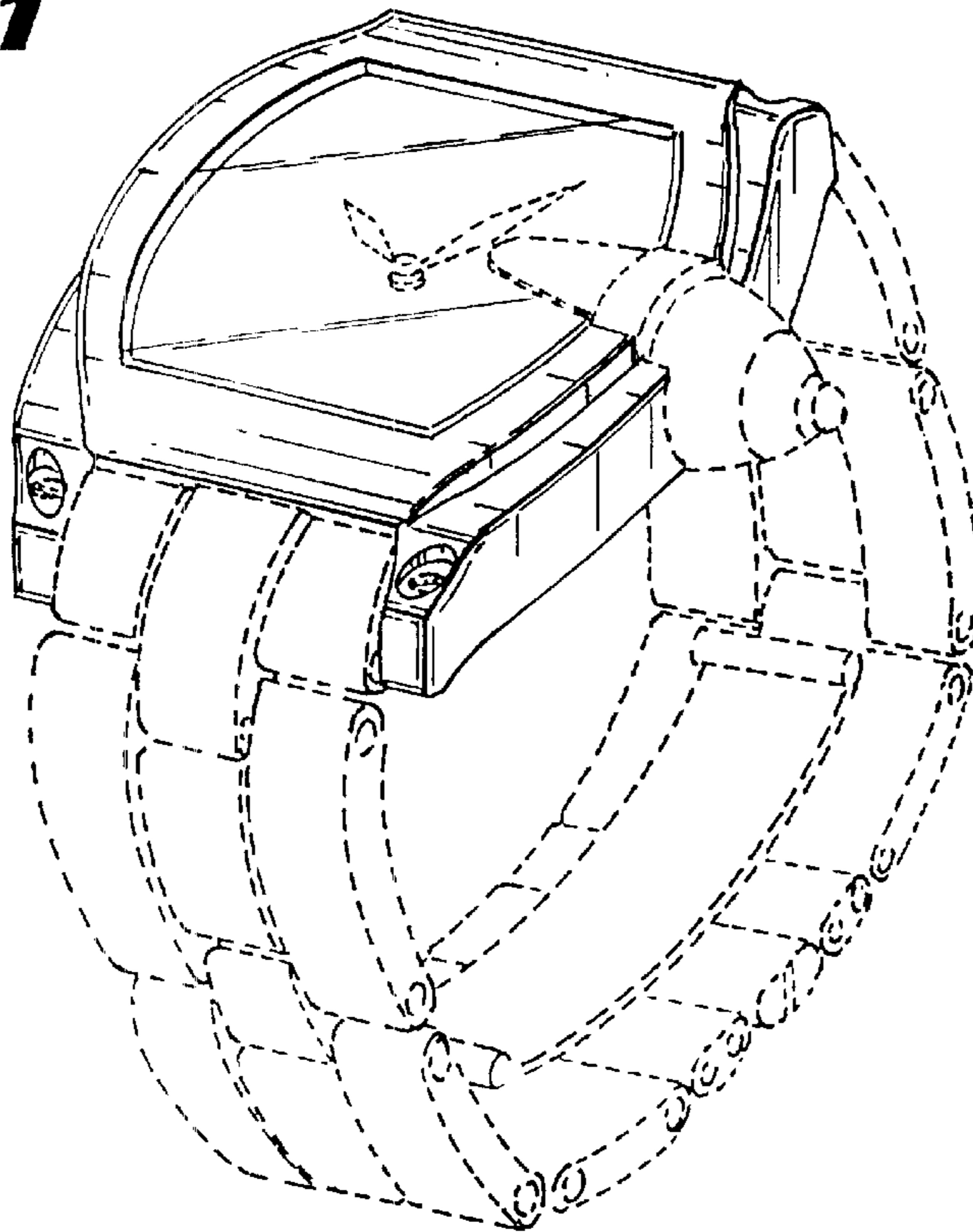


Fig. 2

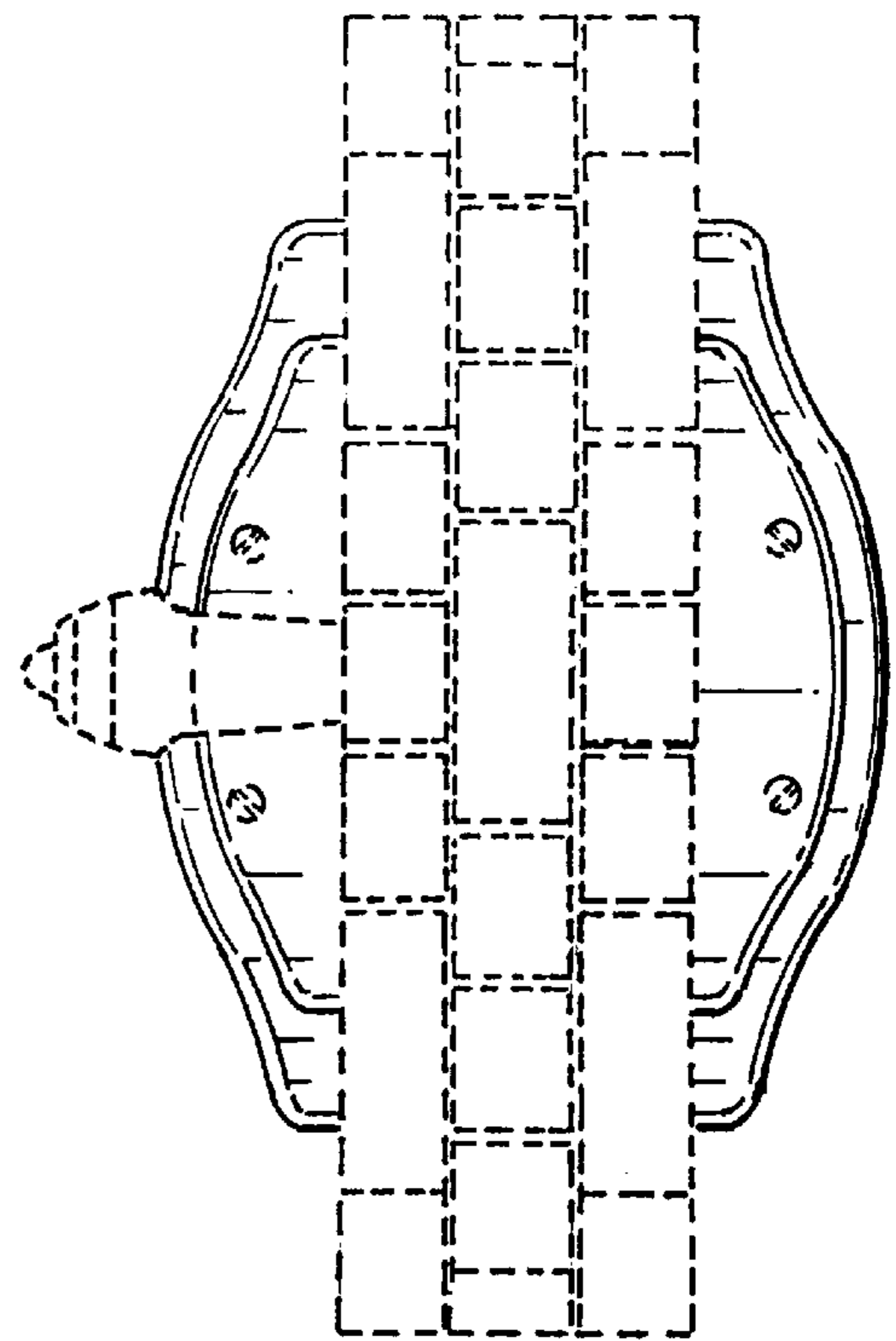


Fig. 3

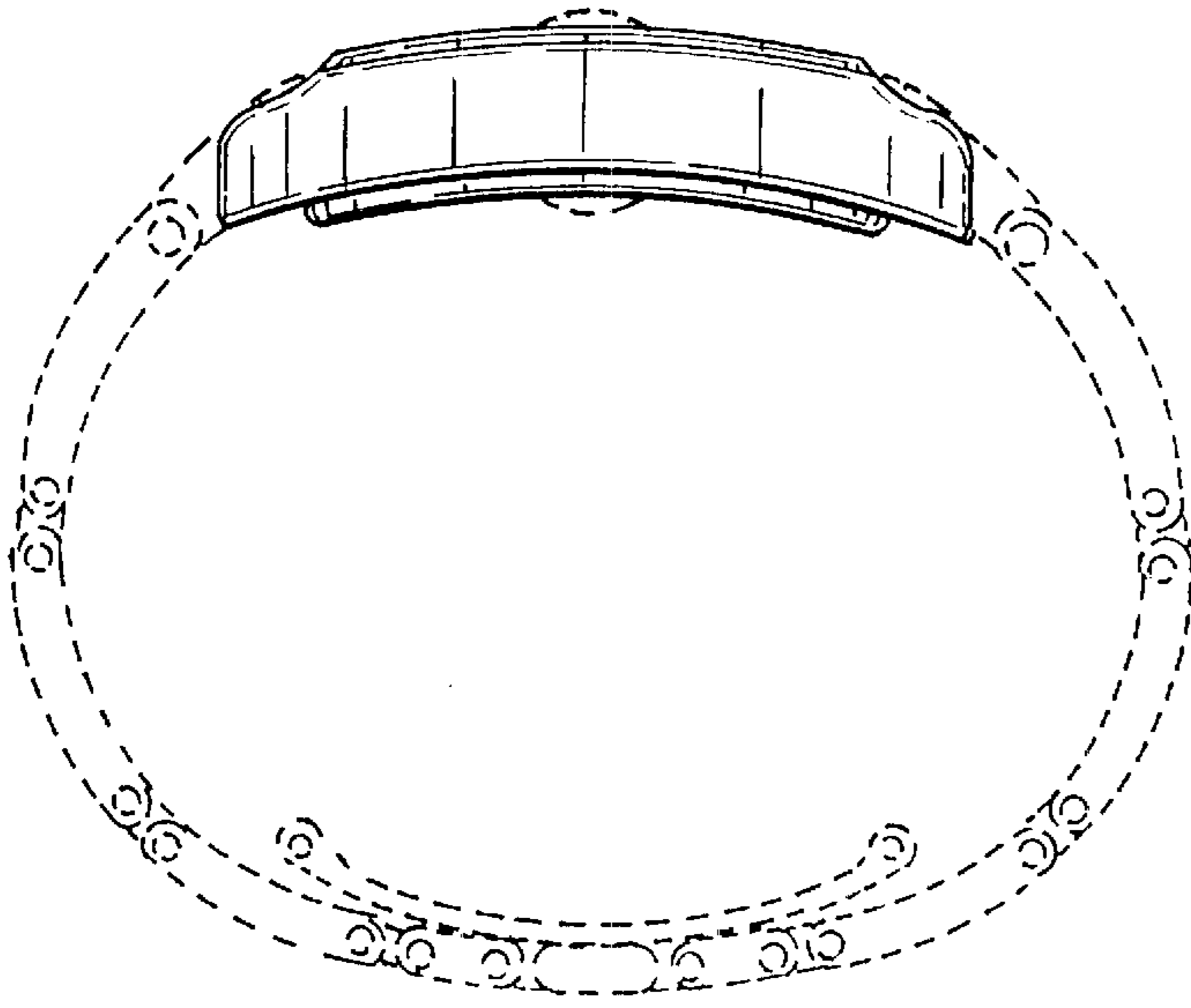


Fig. 4

Fig. 5

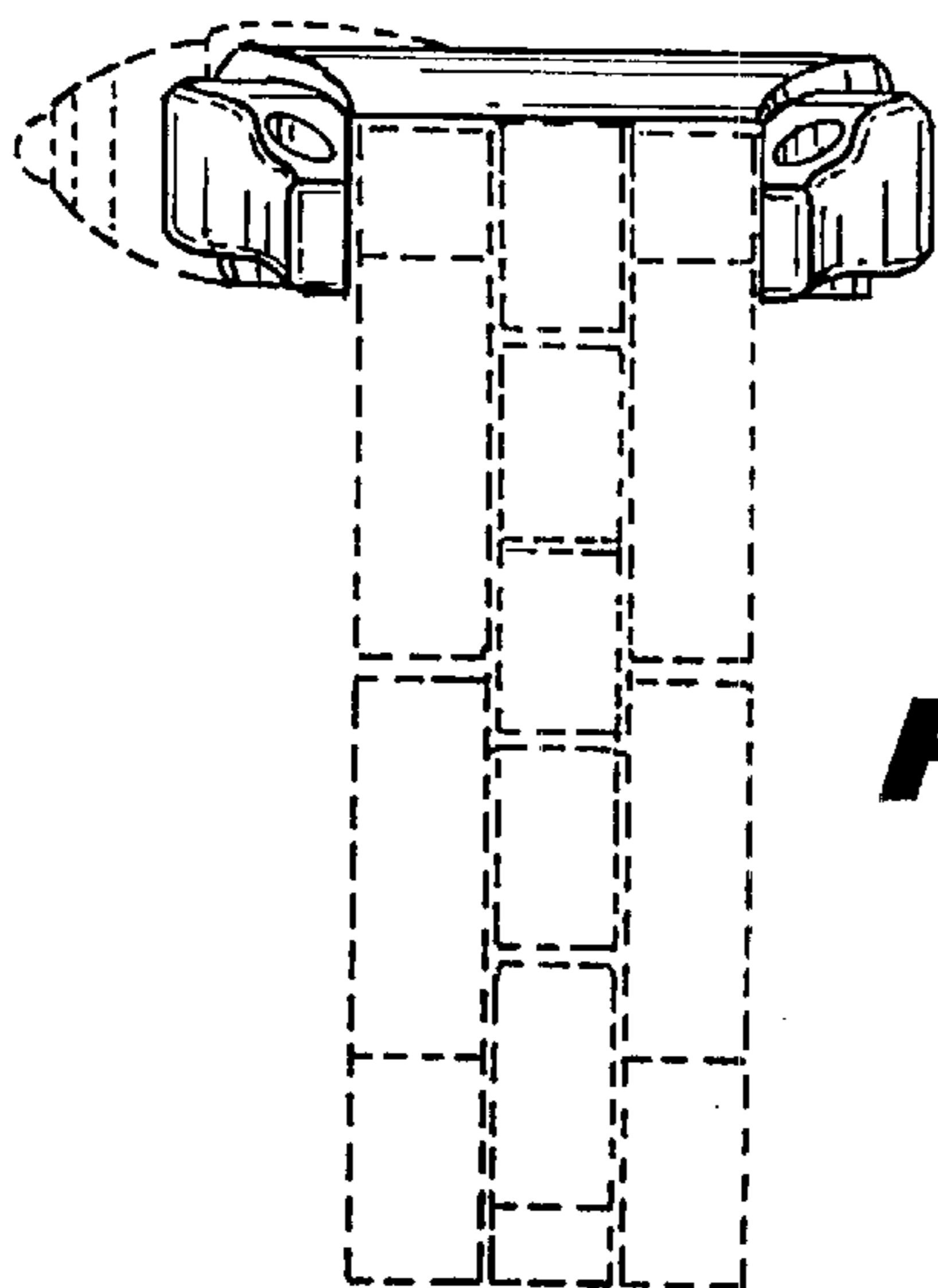
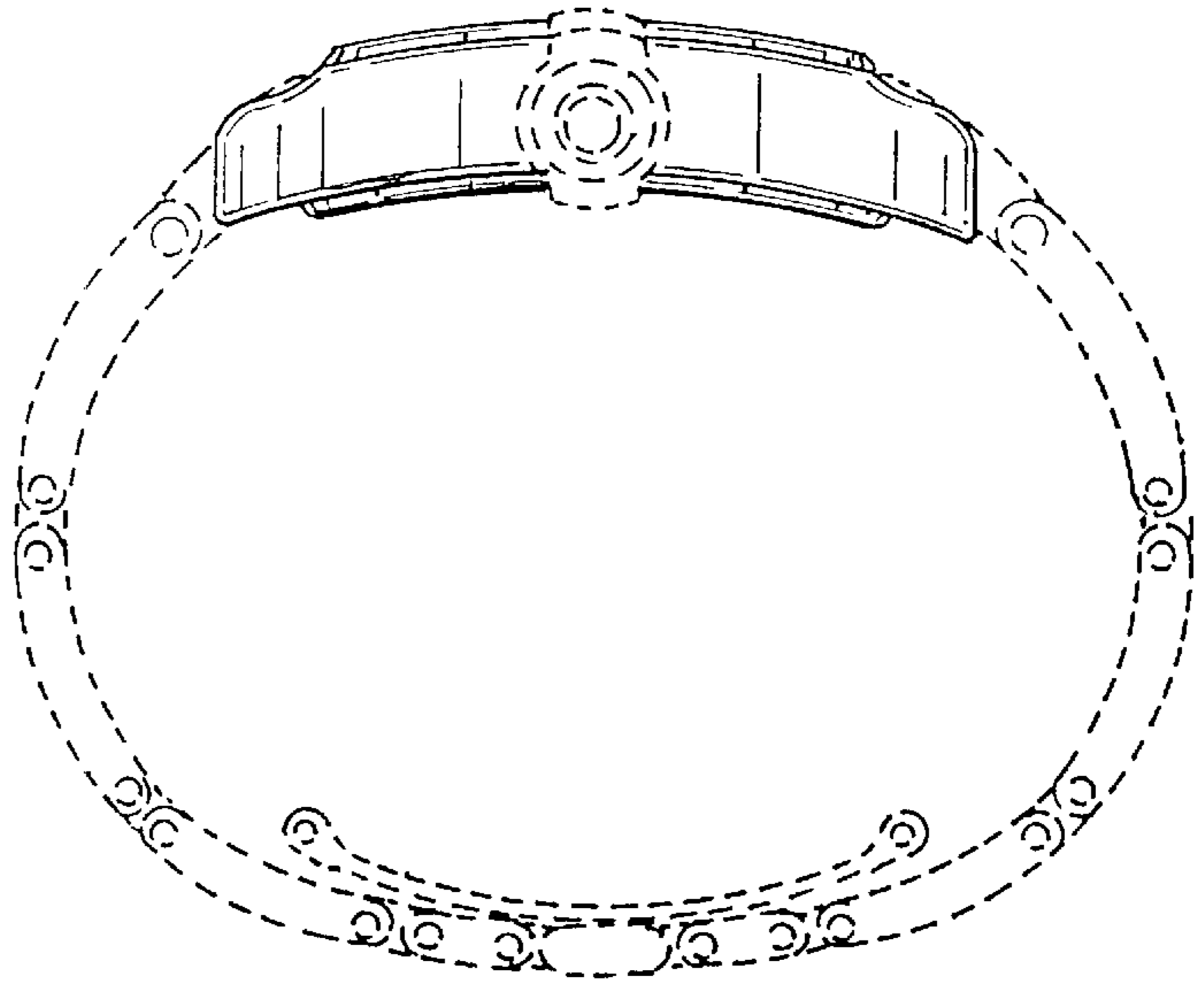


Fig. 6