



US00D462907S

(12) **United States Design Patent**
Ng

(10) **Patent No.:** **US D462,907 S**

(45) **Date of Patent:** **** Sep. 17, 2002**

(54) **WATER CLOCK**

(75) Inventor: **Wai-Man Ng, Kwai Chung (HK)**

(73) Assignee: **Man Will Industrial Company, Kwai Chung (HK)**

(**) Term: **14 Years**

(21) Appl. No.: **29/153,815**

(22) Filed: **Jan. 10, 2002**

(51) **LOC (7) Cl.** **10-01**

(52) **U.S. Cl.** **D10/15**

(58) **Field of Search** D10/1-40, 122-132;
368/41-44, 82-84, 28-30, 239-242, 276-277,
280-282, 285

(56) **References Cited**

U.S. PATENT DOCUMENTS

- D304,453 S * 11/1989 Matsushima D14/170
- D366,215 S * 1/1996 George et al. D10/18
- D391,187 S * 2/1998 Tsui D10/12

- D407,324 S * 3/1999 Bragg D10/15
- D419,891 S * 2/2000 Chan D10/5
- D437,237 S * 2/2001 Chan D10/15

* cited by examiner

Primary Examiner—Nelson C. Holtje

(74) *Attorney, Agent, or Firm*—Donald J. Ersler

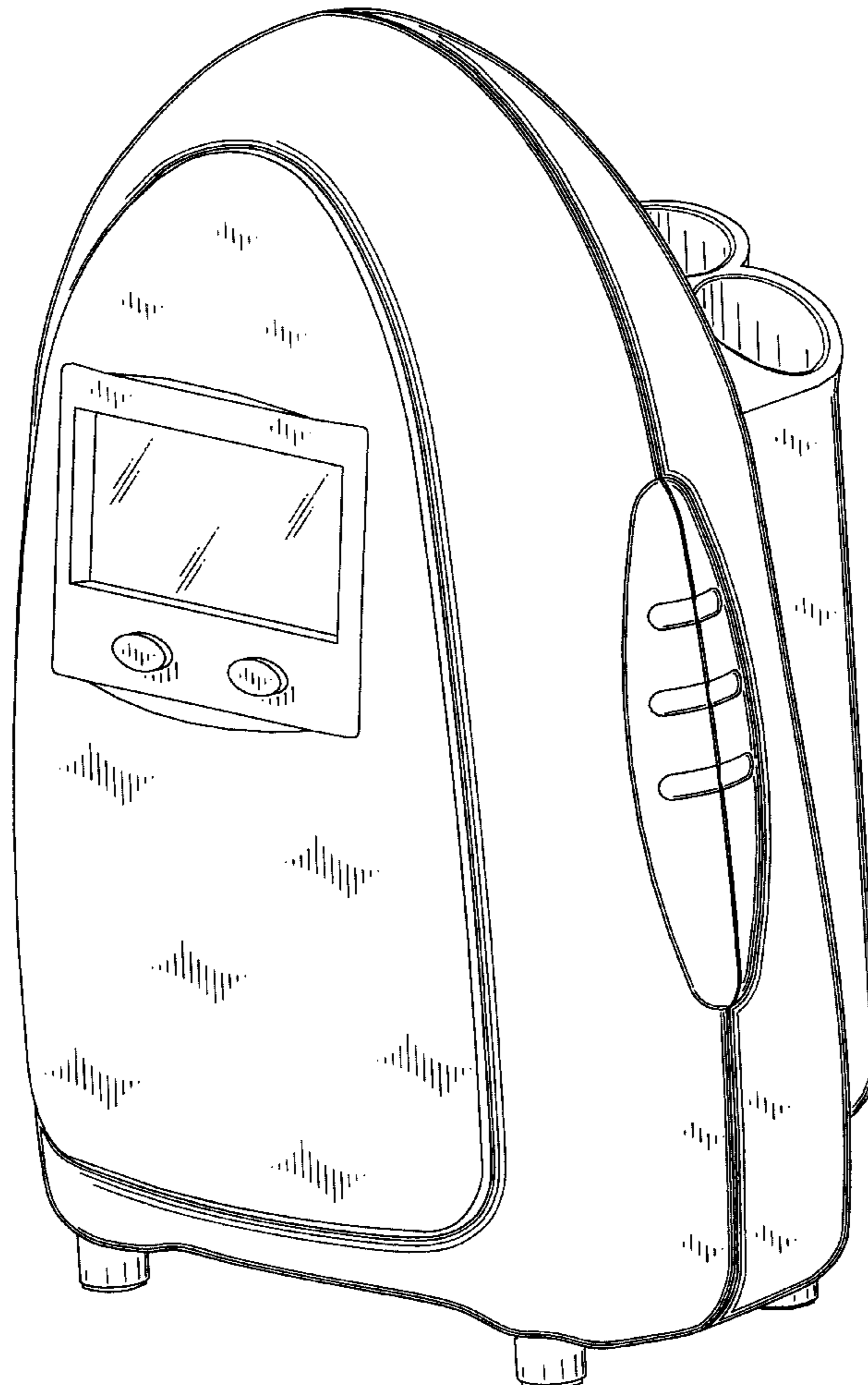
(57) **CLAIM**

The ornamental design for a water clock, as shown and described.

DESCRIPTION

FIG. 1 is a perspective view of a water clock incorporating my new design;
 FIG. 2 is a front elevation view thereof;
 FIG. 3 is a rear elevation view thereof;
 FIG. 4 is a top plan view thereof;
 FIG. 5 is a bottom plan view thereof; and,
 FIG. 6 is a right side elevation view thereof with the left side elevation view being a mirror image of the right side elevation view.

1 Claim, 3 Drawing Sheets



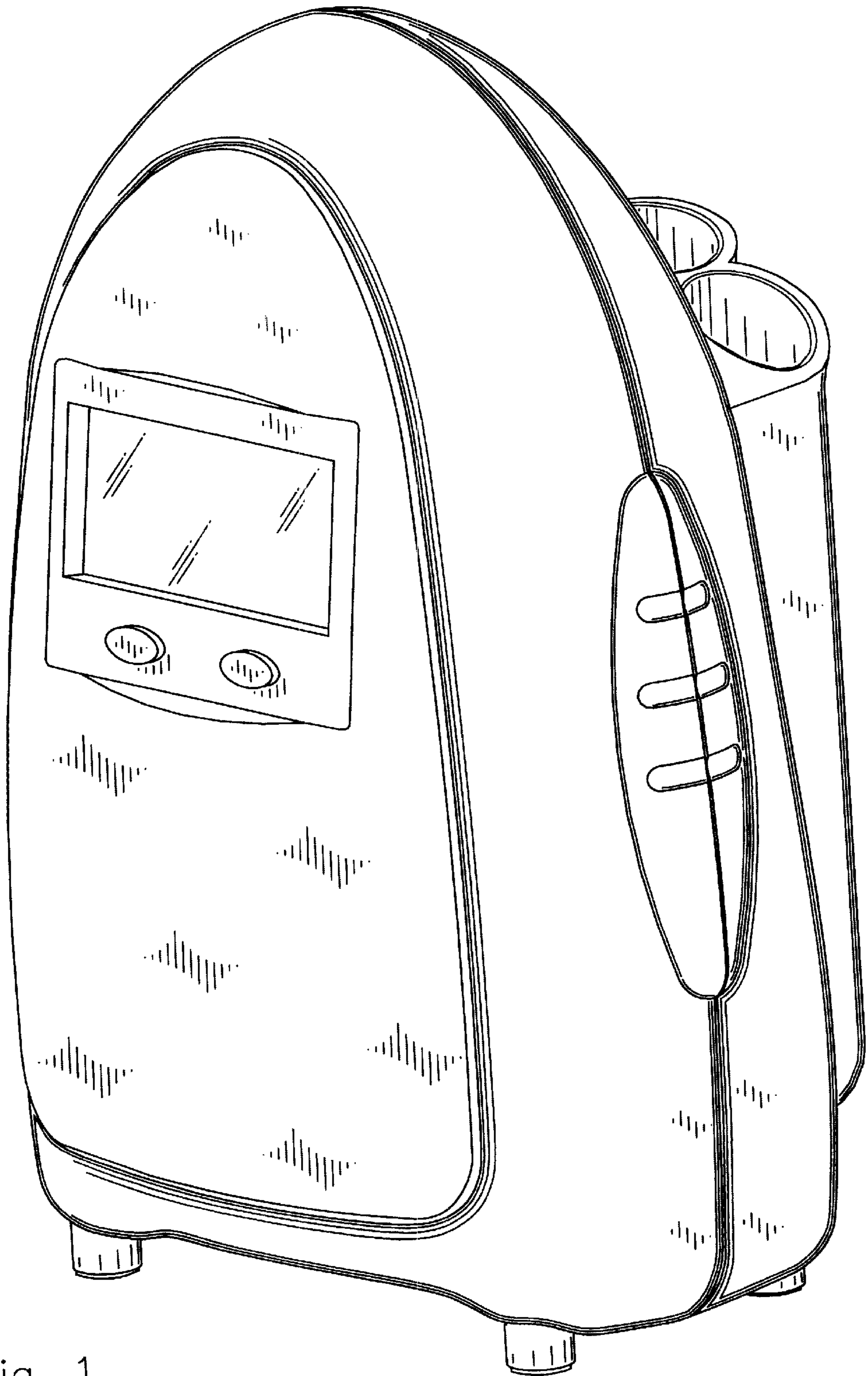


Fig. 1

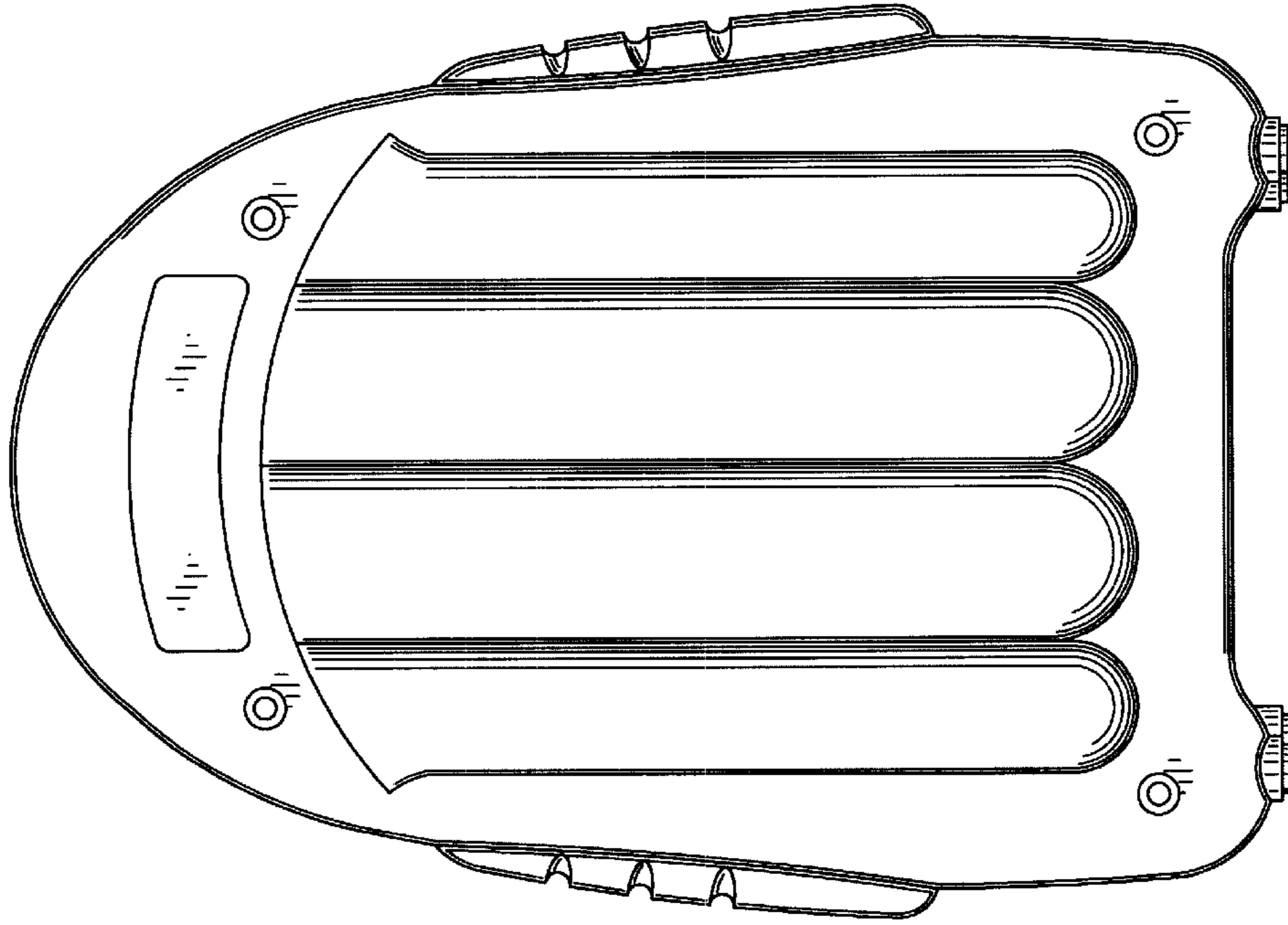


Fig. 3

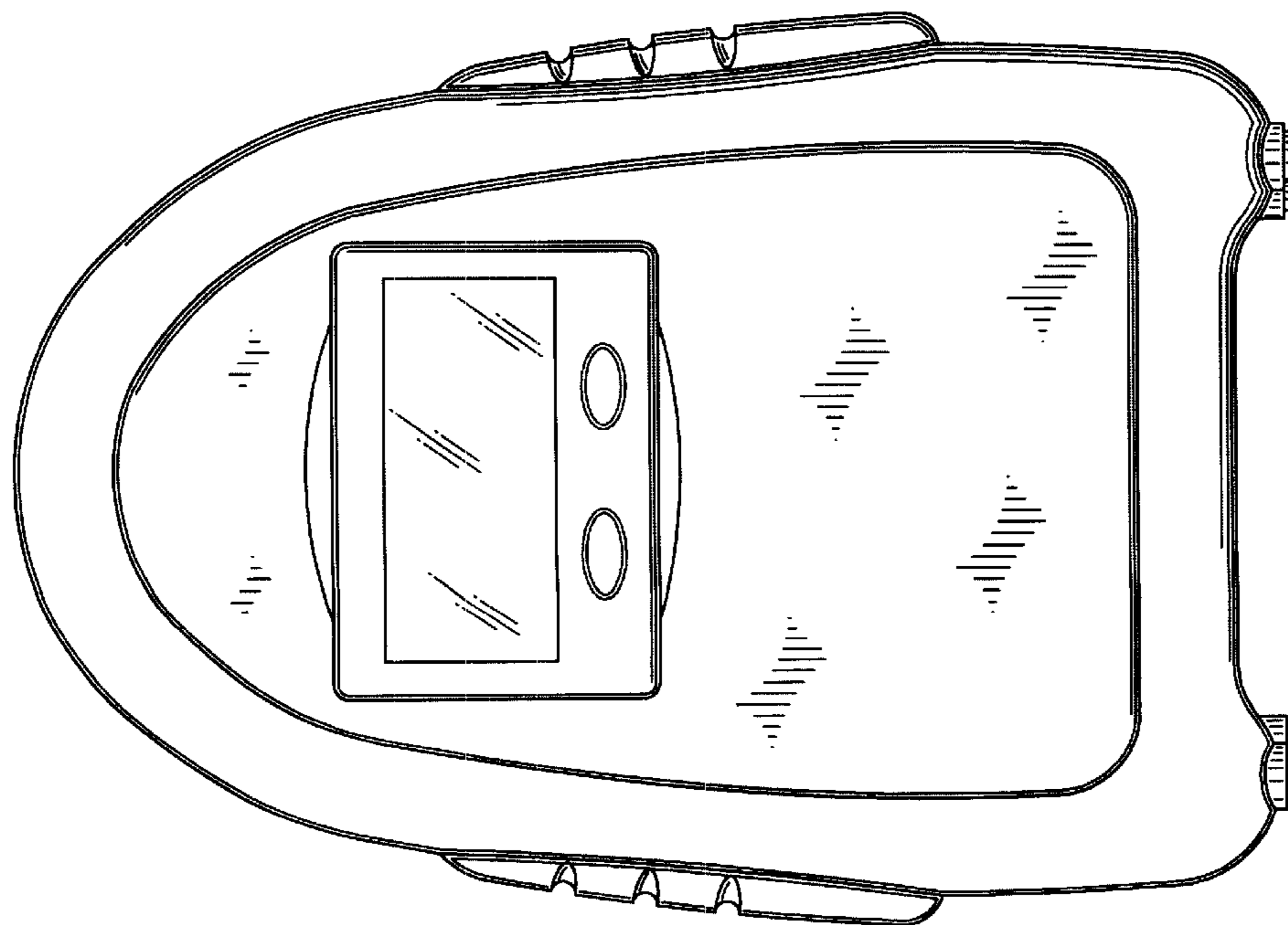


Fig. 2

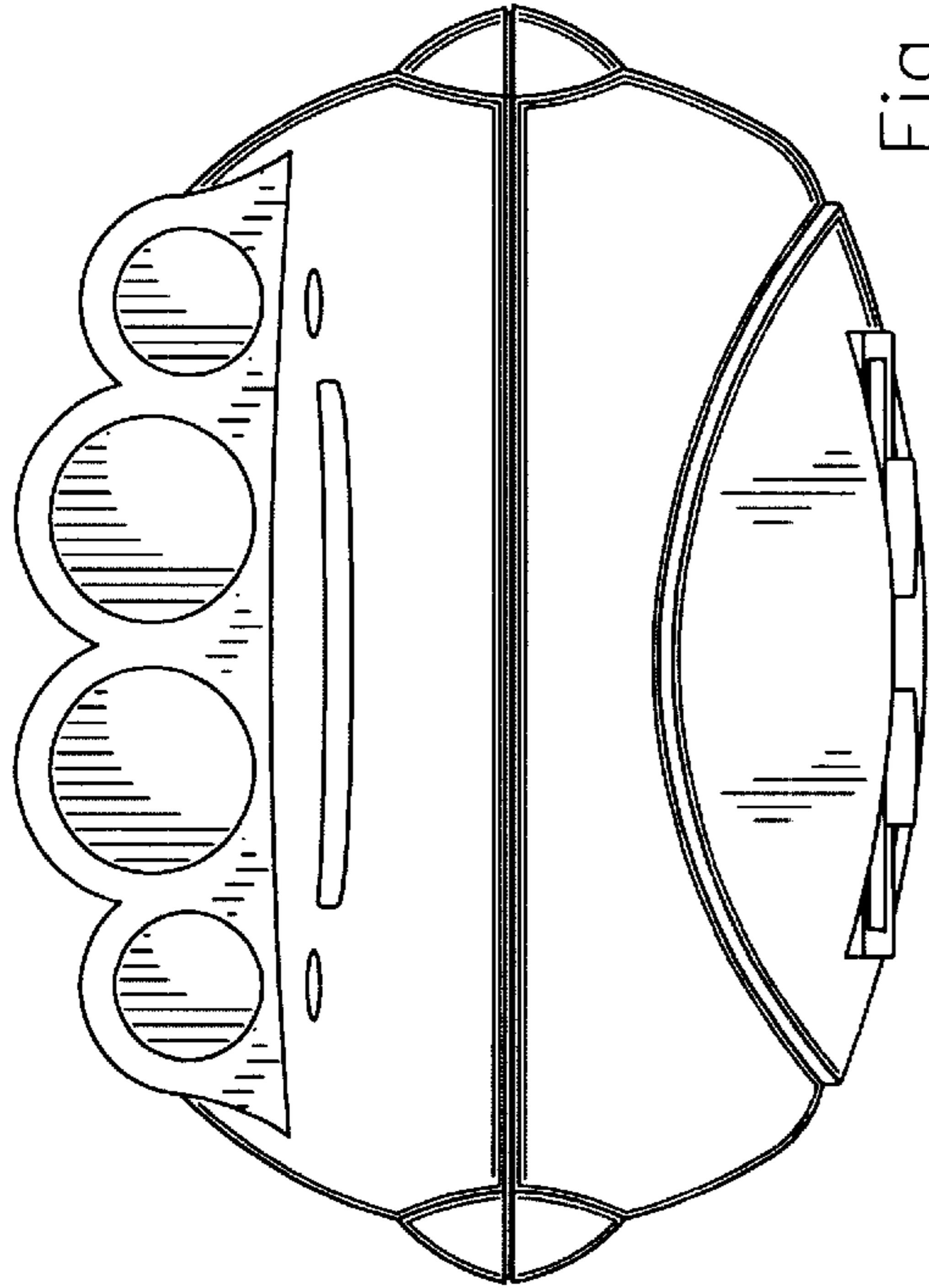


Fig. 4

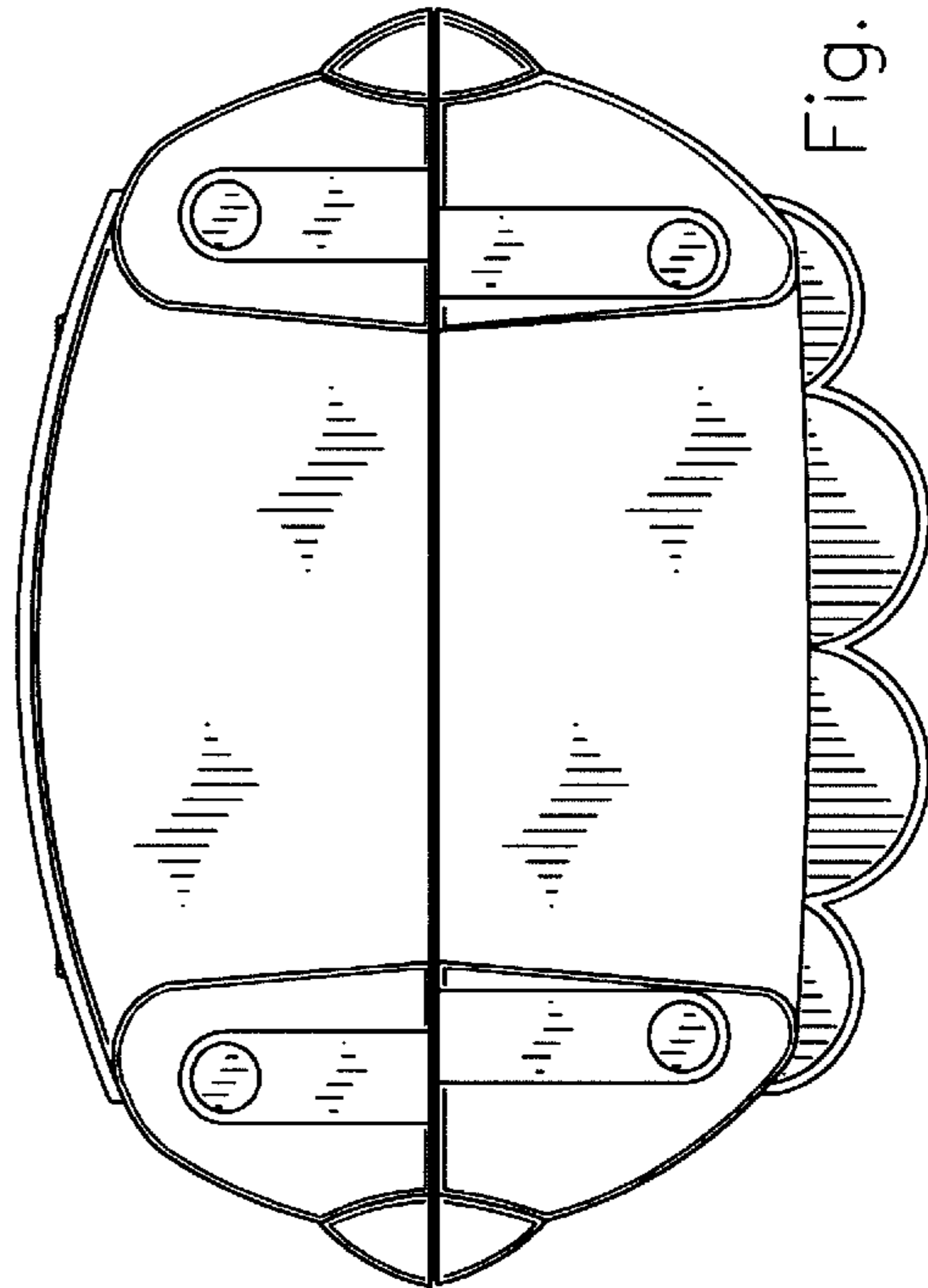


Fig. 5

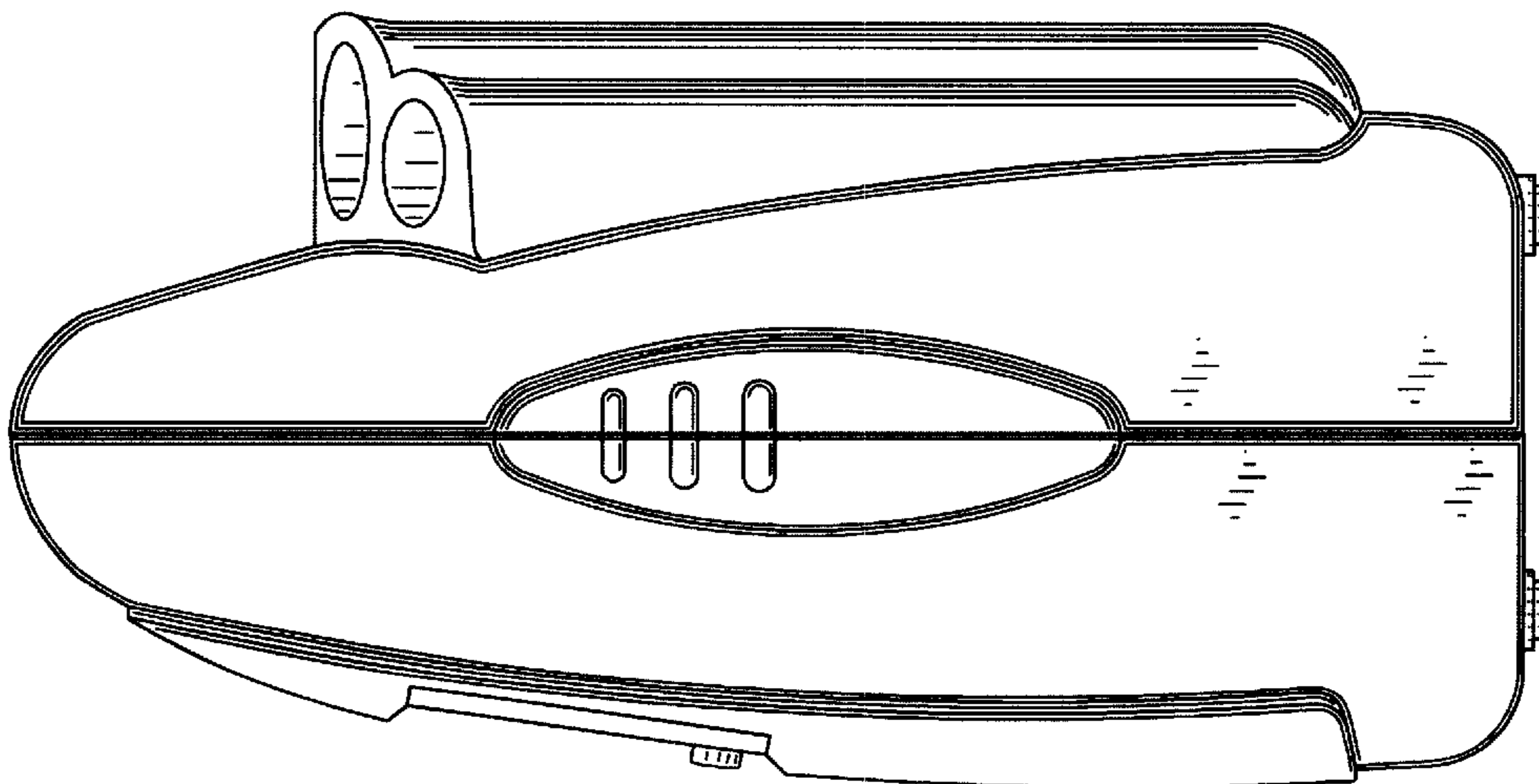


Fig. 6