



US00D462906S

(12) **United States Design Patent**  
**Daniel**

(10) **Patent No.:** **US D462,906 S**

(45) **Date of Patent:** **\*\* Sep. 17, 2002**

(54) **DIGITAL CLOCK**

(76) **Inventor:** **Michael Daniel**, 305 W. 45<sup>th</sup> St., Apt. 1B, New York, NY (US) 10036

(\*\*) **Term:** **14 Years**

(21) **Appl. No.:** **29/137,215**

(22) **Filed:** **Feb. 15, 2001**

(51) **LOC (7) Cl.** ..... **10-01**

(52) **U.S. Cl.** ..... **D10/15; D10/26**

(58) **Field of Search** ..... D10/1, 2, 3-15, D10/16-18, 19-40, 122-132; 368/10, 28-30, 40, 41-44, 72, 78, 82-84, 221, 239-242, 222, 276, 277, 280-282, 285, 316, 317, 179

(56) **References Cited**

**U.S. PATENT DOCUMENTS**

3,645,087 A \* 2/1972 Rams et al. .... 368/40

3,830,053 A \* 8/1974 Koide et al. .... 368/222  
4,005,570 A \* 2/1977 Miyamoto et al. .... 368/72  
4,012,898 A \* 3/1977 Yoshizawa ..... 368/78  
4,122,659 A \* 10/1978 Hashimoto ..... 368/78  
4,287,586 A \* 9/1981 Ogihara et al. .... 368/222  
4,298,972 A \* 11/1981 Ogihara et al. .... 368/222  
4,666,312 A \* 5/1987 Mukoyama ..... 365/179

\* cited by examiner

*Primary Examiner*—Martie K. Holtje

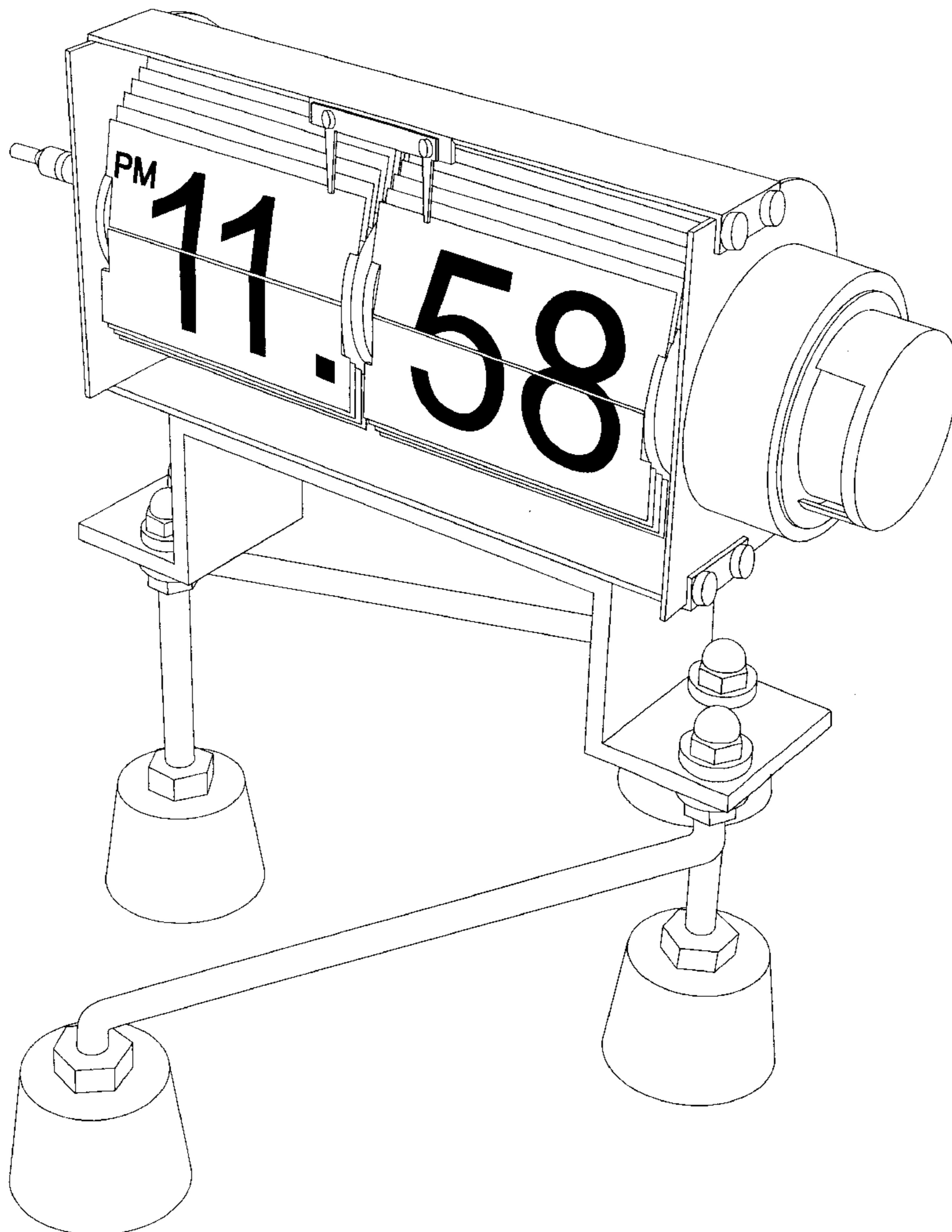
(57) **CLAIM**

The ornamental design for a digital clock, as shown and described.

**DESCRIPTION**

FIG. 1 is a top, right front perspective view of a digital clock showing my new design; and, FIG. 2 is a top, right rear perspective view thereof.

**1 Claim, 2 Drawing Sheets**



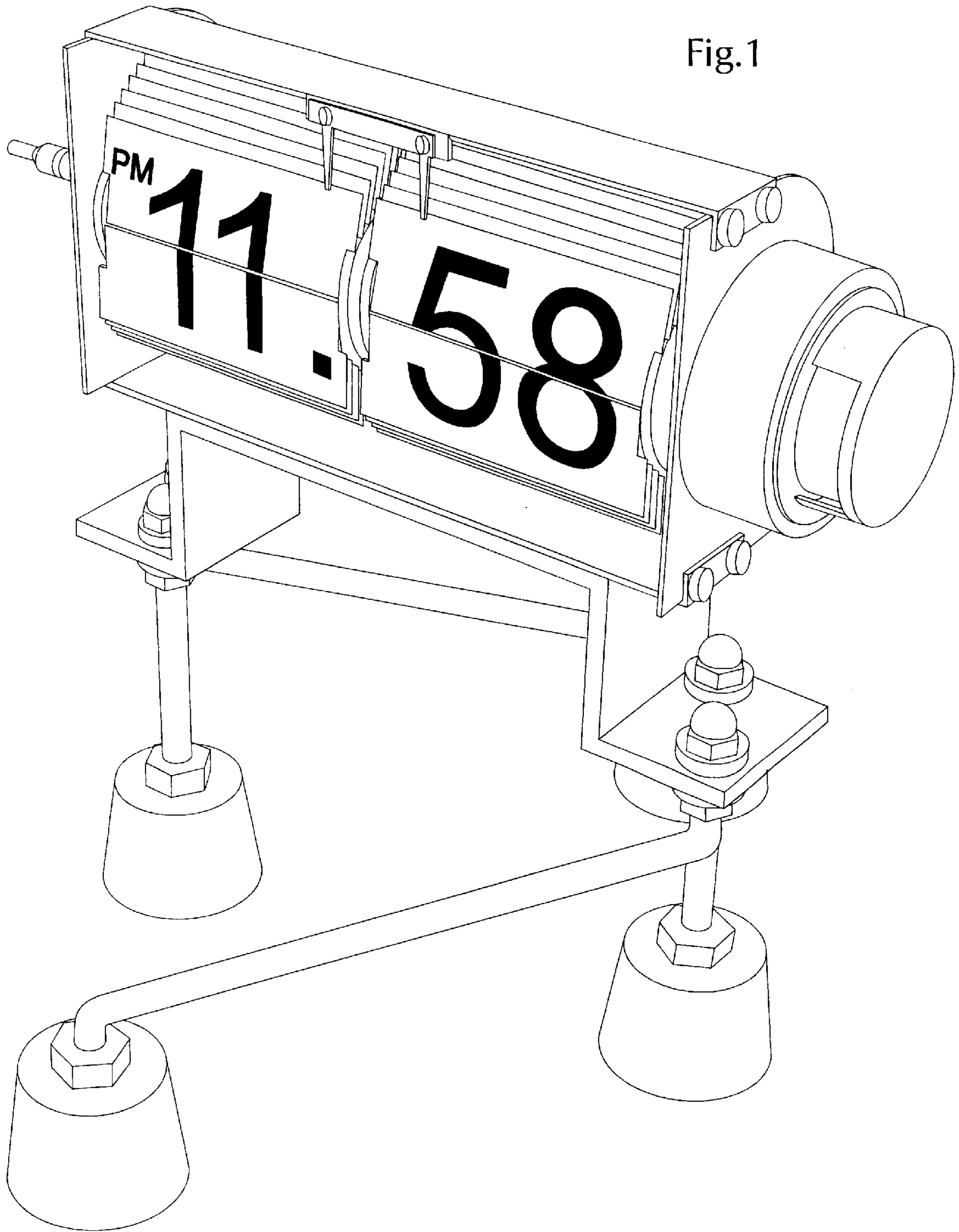


Fig. 1

Fig. 2

