



US00D462901S

(12) **United States Design Patent**
Giard, Jr. et al.

(10) **Patent No.:** **US D462,901 S**

(45) **Date of Patent:** **** Sep. 17, 2002**

(54) **PACKAGING TRAY**

(75) Inventors: **John A. Giard, Jr.**, Edgewater, NJ
(US); **Volker Niermann**, Little Falls,
NJ (US)

(73) Assignee: **Becton Dickinson and Company**,
Franklin Lakes, NJ (US)

(**) Term: **14 Years**

(21) Appl. No.: **29/148,360**

(22) Filed: **Sep. 19, 2001**

(51) **LOC (7) Cl.** **09-03**

(52) **U.S. Cl.** **D9/416; D9/425; D9/347**

(58) **Field of Search** D9/424, 425, 416,
D9/432, 341, 347, 337; D7/550.1, 553.1,
553.2, 554.3; 229/123.1, 120.02, 120.08,
407, 904, 902; 220/500, 553-555; 206/518,
557-567, 769-771; 426/106, 107

(56) **References Cited**

U.S. PATENT DOCUMENTS

3,079,913	A	*	3/1963	Nelson	426/107
3,344,974	A	*	10/1967	Bostrom	229/123.1
3,722,781	A	*	3/1973	Page et al.	206/563
D304,157	S	*	10/1989	Holewinski	D9/347
D304,425	S	*	11/1989	Hadtke	D9/425
4,903,842	A	*	2/1990	Tokuda et al.	229/123.1
5,123,527	A	*	6/1992	Hustad	206/769

5,236,119	A	*	8/1993	Chu	229/407
D347,386	S	*	5/1994	Conway	D9/425
D349,456	S	*	8/1994	Wilson	D9/425
D380,379	S	*	7/1997	Lindblom et al.	D9/347
D394,001	S	*	5/1998	Vilos	D9/347
D450,240	S	*	11/2001	Haag et al.	D9/425

* cited by examiner

Primary Examiner—Prabhakar Deshmukh

(74) *Attorney, Agent, or Firm*—Nanette S. Thomas, Esq.

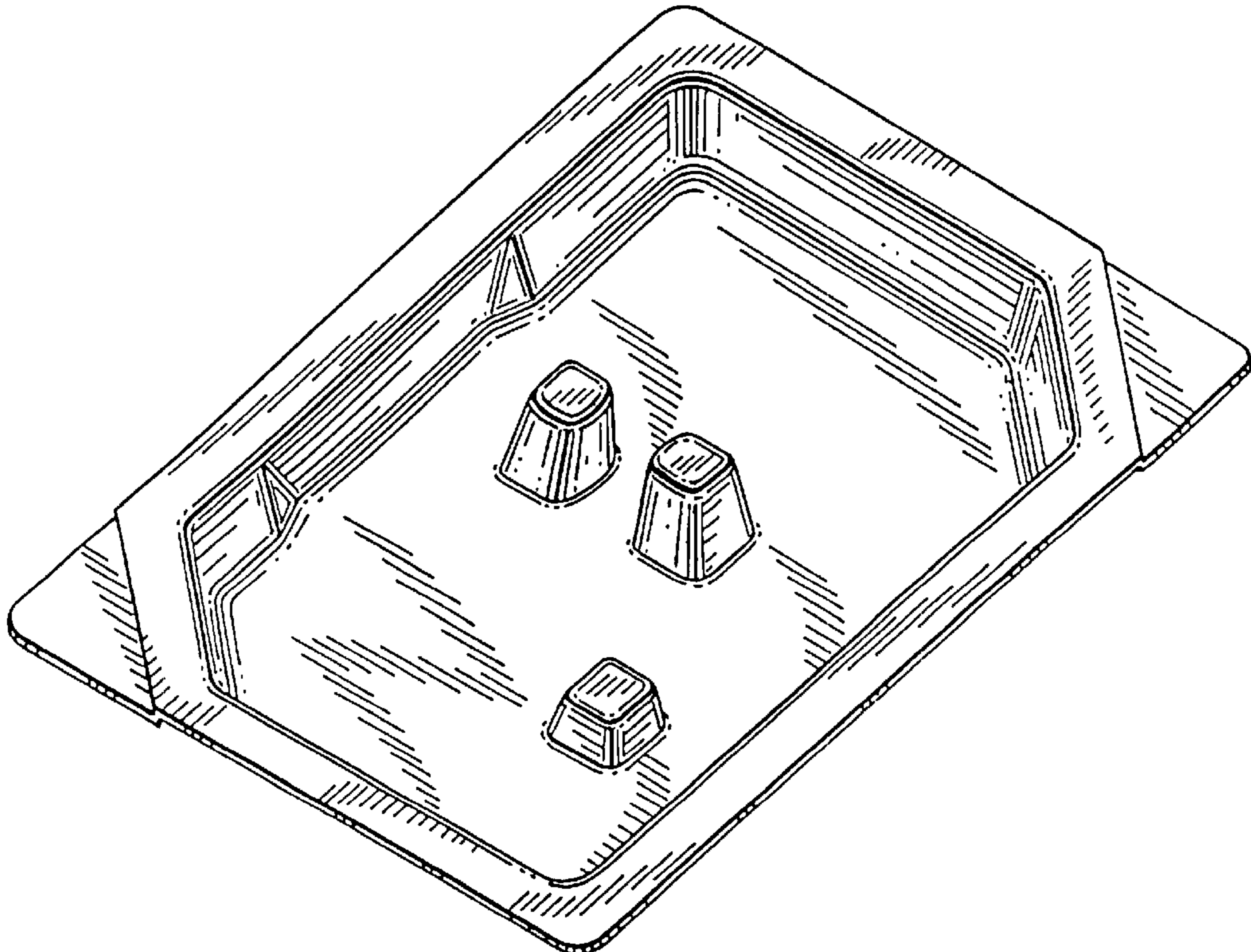
(57) **CLAIM**

The ornamental design for a packaging tray, as shown and described.

DESCRIPTION

FIG. 1 is a top perspective view of the packaging tray;
 FIG. 2 is a bottom perspective view of the packaging tray of FIG. 1;
 FIG. 3 is a top plan view of the packaging tray of FIG. 1;
 FIG. 4 is a right side elevational view of the packaging tray with the left side elevational view being a mirror image of FIG. 1;
 FIG. 5 is a rear side elevational view of the packaging tray with the front side elevational view being a mirror image of FIG. 1; and
 FIG. 6 is a bottom plan view of the packaging tray of FIG. 1; and,
 FIG. 7 is a cross-sectional view of the packaging tray taken along line 7—7 in FIG. 3.

1 Claim, 3 Drawing Sheets



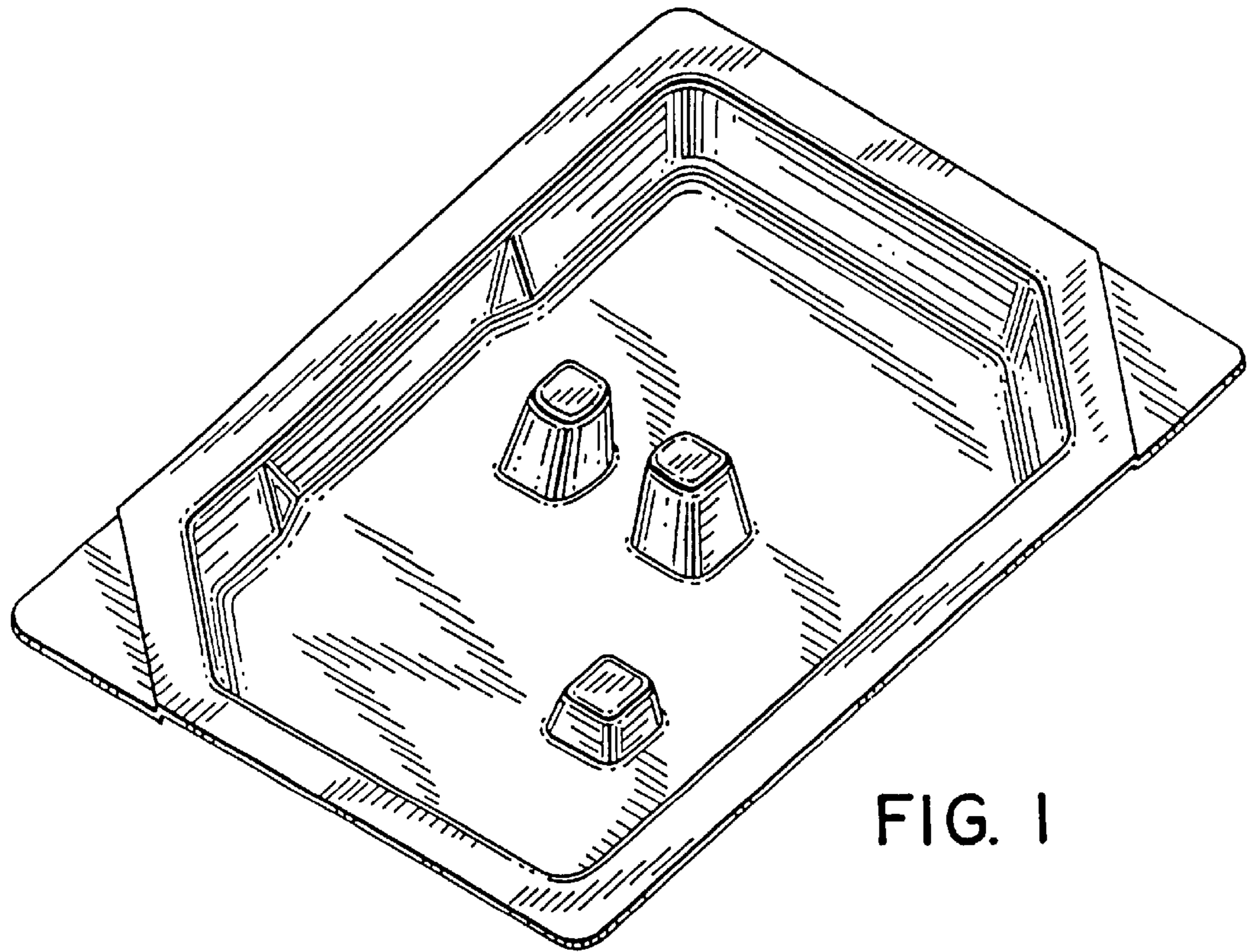


FIG. 1

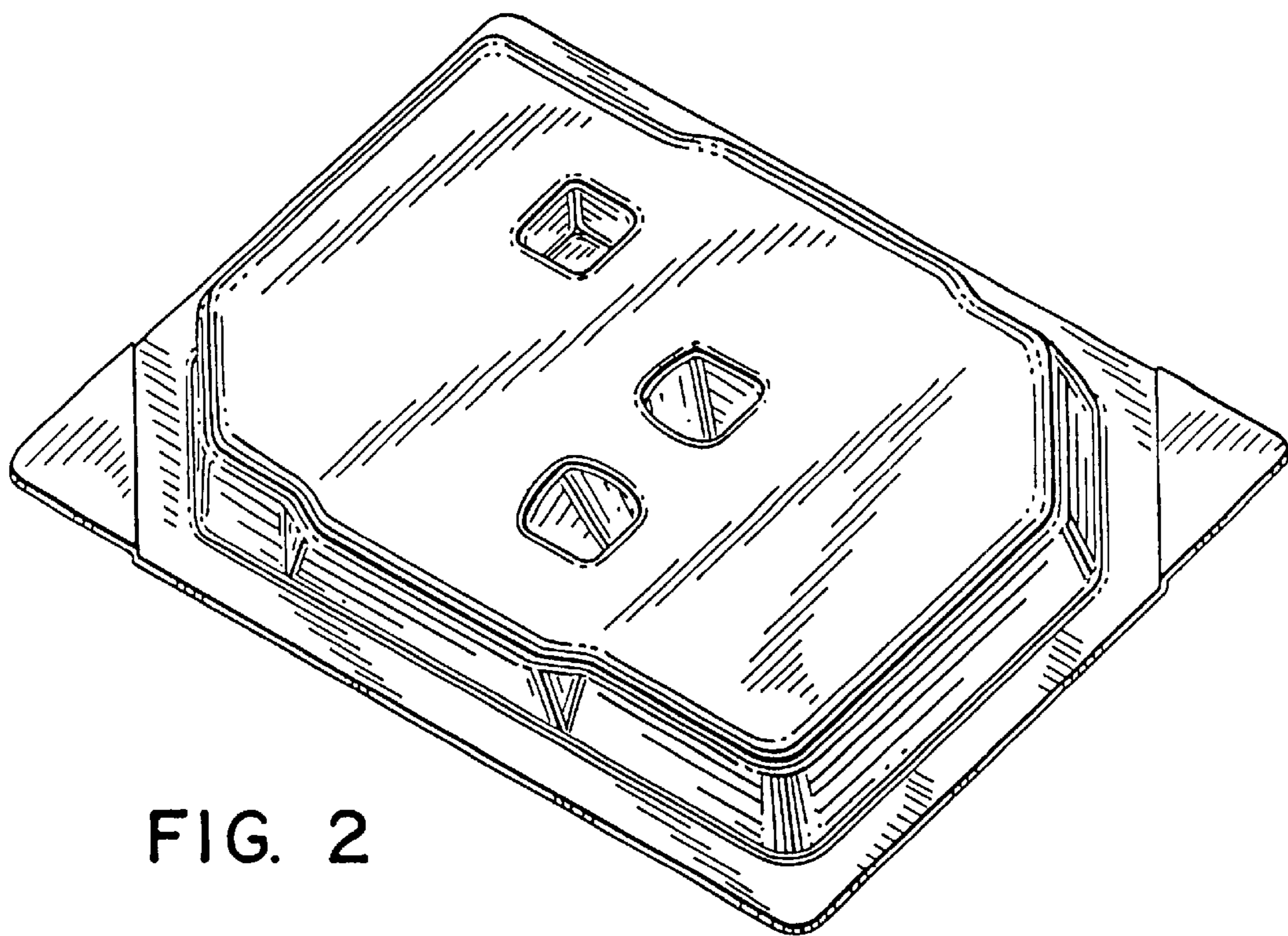


FIG. 2

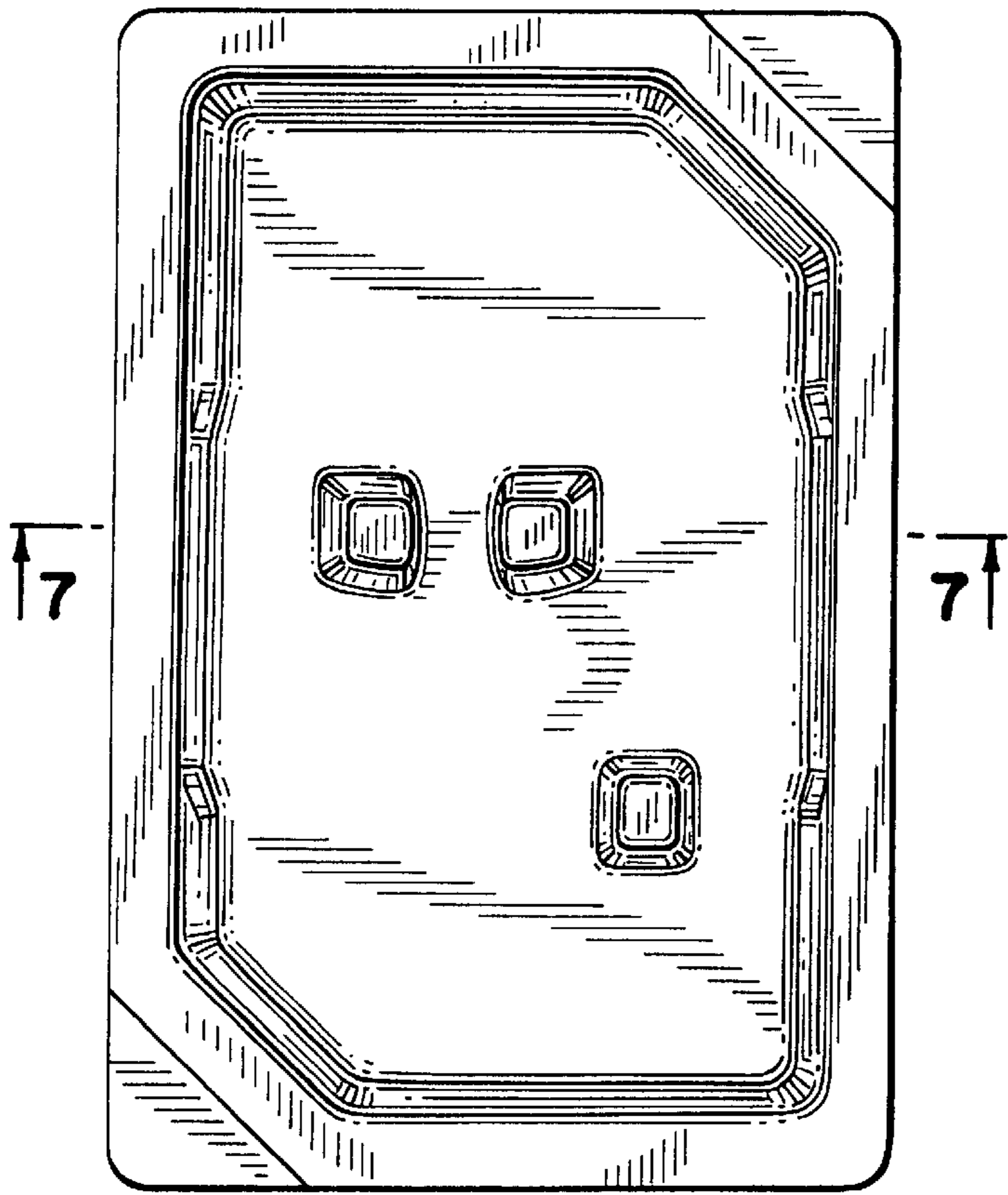


FIG. 3



FIG. 5

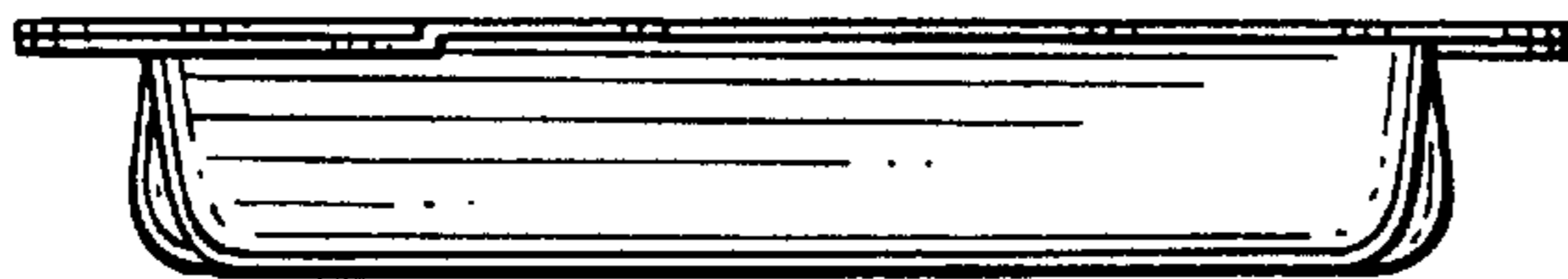


FIG. 4

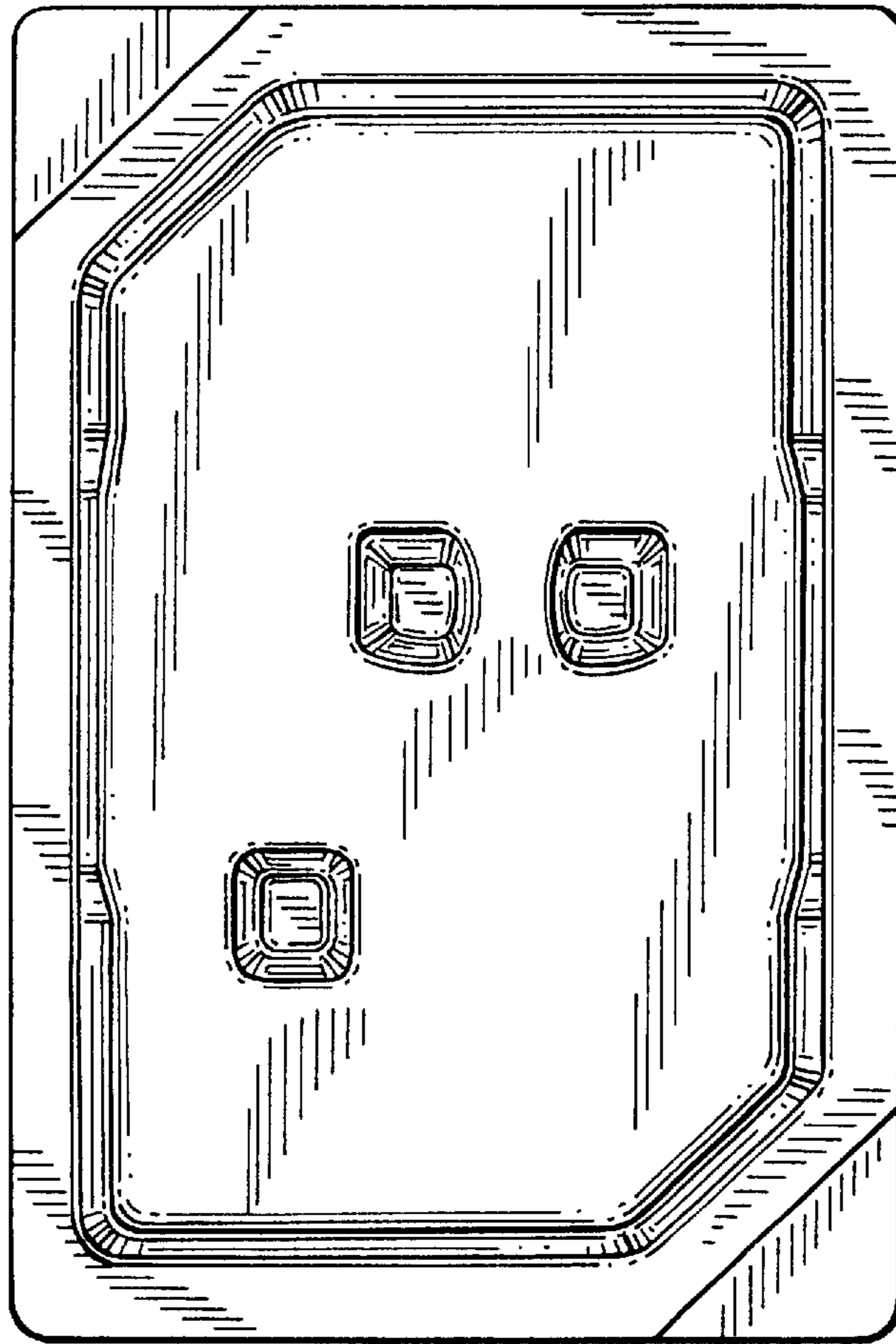


FIG. 6

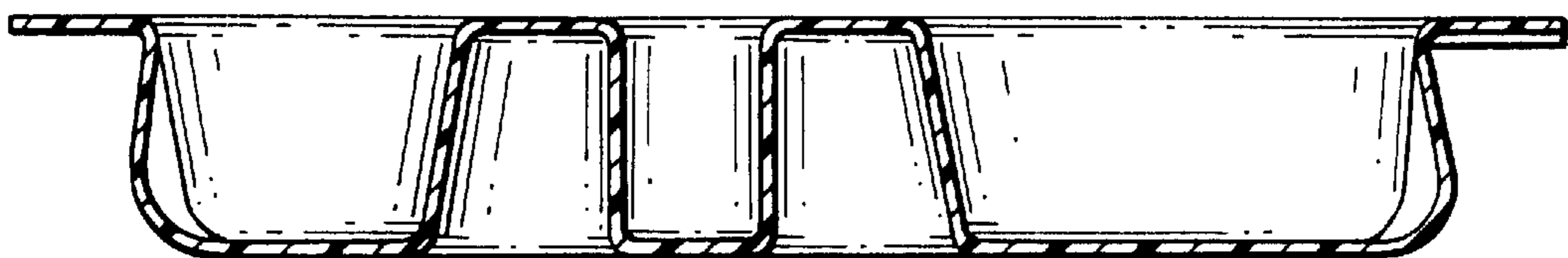


FIG. 7