



US00D462899S

(12) **United States Design Patent**
Cummings

(10) **Patent No.:** **US D462,899 S**

(45) **Date of Patent:** **** Sep. 17, 2002**

(54) **DISPENSER**

(75) **Inventor:** **Bruce Cummings, NY, NY (US)**

(73) **Assignee:** **Colgate Palmolive Company, New York, NY (US)**

(**) **Term:** **14 Years**

(21) **Appl. No.:** **29/146,045**

(22) **Filed:** **Aug. 2, 2001**

(51) **LOC (7) Cl.** **09-03**

(52) **U.S. Cl.** **D9/338; D9/529**

(58) **Field of Search** **D9/338, 516, 520, D9/526, 529, 530, 549, 557, 570, 575; D28/7; 401/95, 172, 175, 176, 179, 213; 222/173, 212, 213, 215, 49, 55, 68, 75, 82**

D424,930 S	*	5/2000	Crawford	D9/338
D430,012 S	*	8/2000	Crawford	D9/338
D430,486 S	*	9/2000	Crawford	D9/338
D432,008 S	*	10/2000	Crawford	D9/338
D432,408 S	*	10/2000	Crawford	D9/338
D442,080 S	*	5/2001	Crawford	D9/338
D443,203 S	*	6/2001	Crawford	D9/338
6,357,945 B1	*	3/2002	Losier et al.	401/175
D455,648 S	*	4/2002	Cummings	D9/338

* cited by examiner

Primary Examiner—Ted Shooman

Assistant Examiner—Carol Rademaker

(74) *Attorney, Agent, or Firm*—Michael J. McGreal

(57) **CLAIM**

The ornamental design for a dispenser, as shown and described.

DESCRIPTION

FIG. 1 is a perspective view of the dispenser of my design.

FIG. 2 is a front elevation view thereof.

FIG. 3 is a rear elevation view thereof.

FIG. 4 is a left side elevation view thereof.

FIG. 5 is a right side elevation view thereof; and,

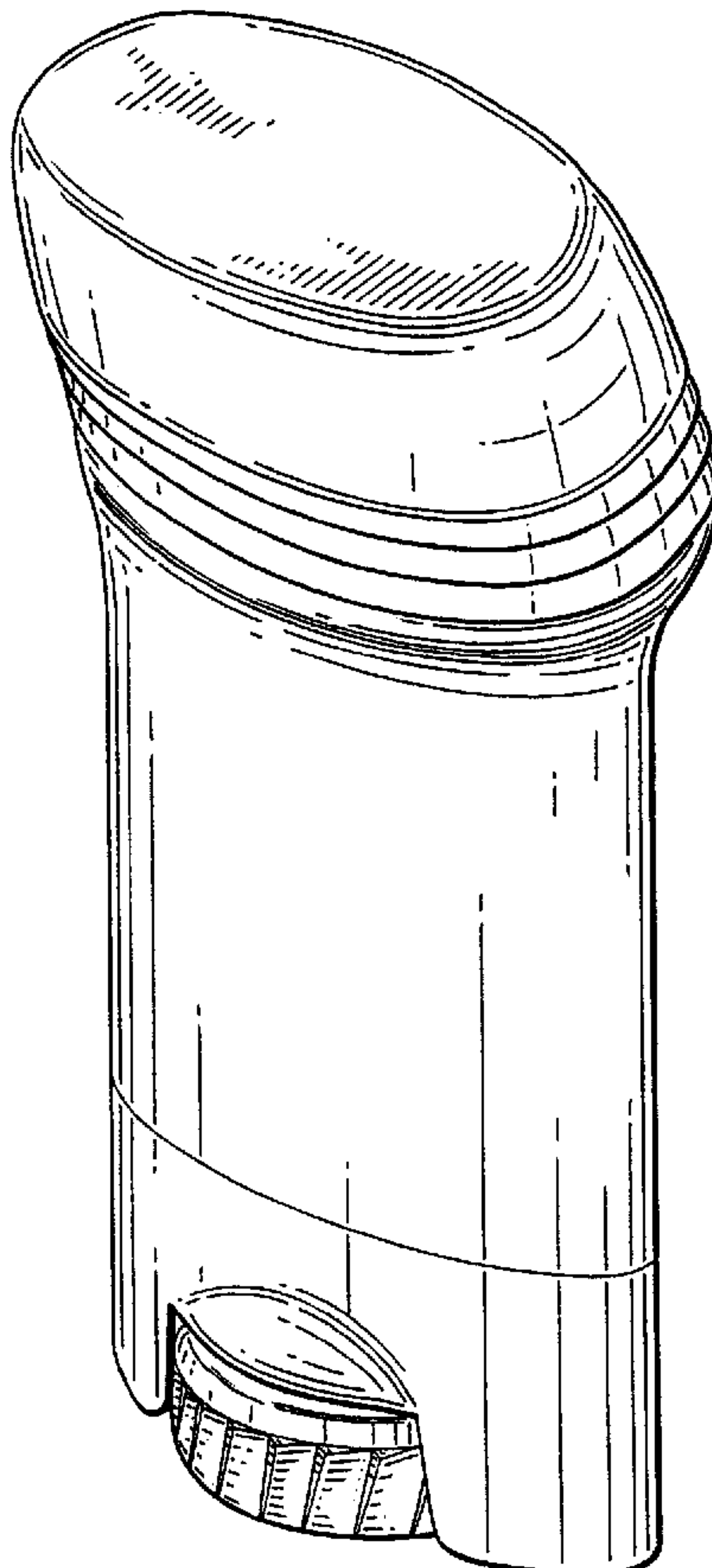
FIG. 6 is a top plan view thereof.

1 Claim, 6 Drawing Sheets

(56) **References Cited**

U.S. PATENT DOCUMENTS

D334,399 S	*	3/1993	Ziegler	D19/42
D345,376 S	*	3/1994	Underwood, Jr.	D19/48
D379,927 S	*	6/1997	Crawford	D9/338
D381,899 S	*	8/1997	Crawford	D9/338
5,974,621 A	*	11/1999	Wilén	15/261
6,030,138 A	*	2/2000	Losier	401/266



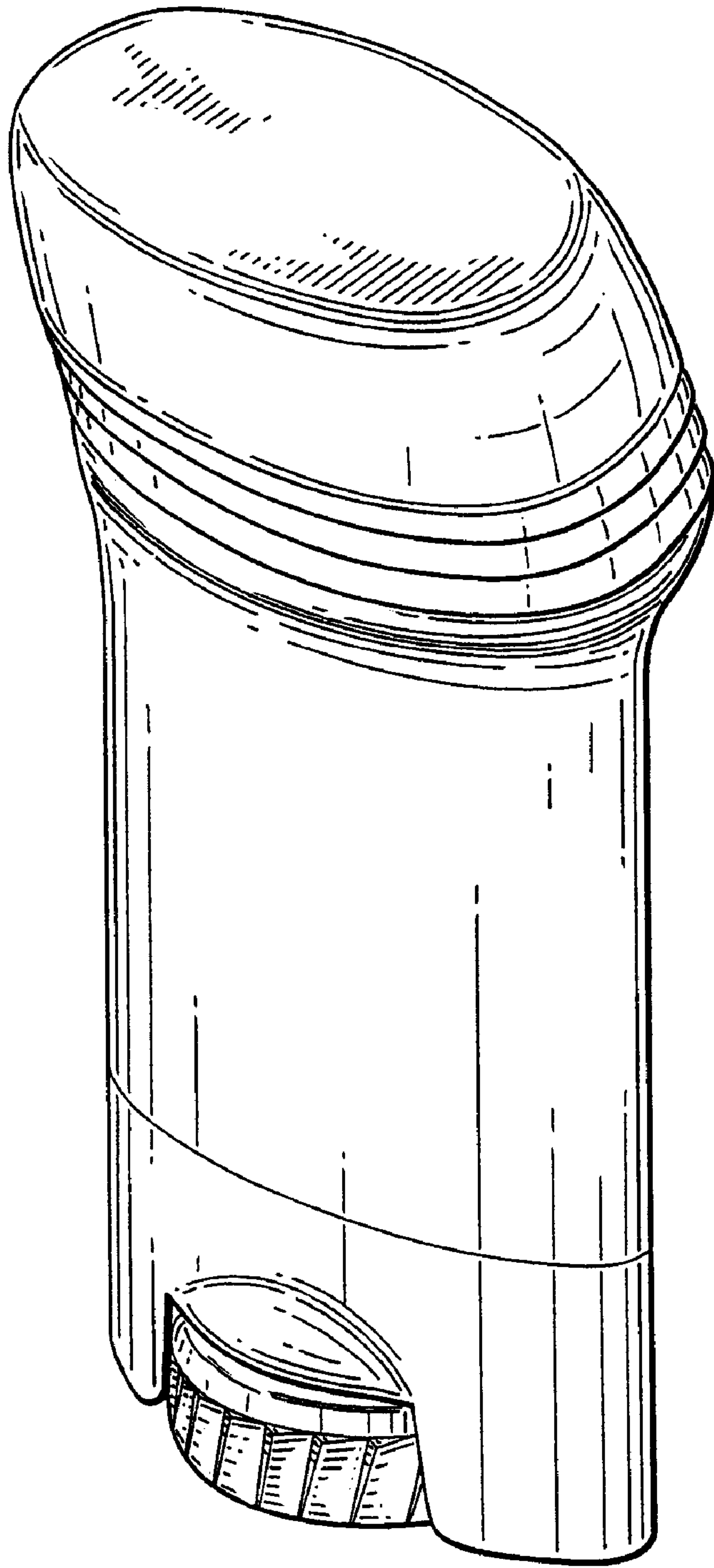


FIG. 1

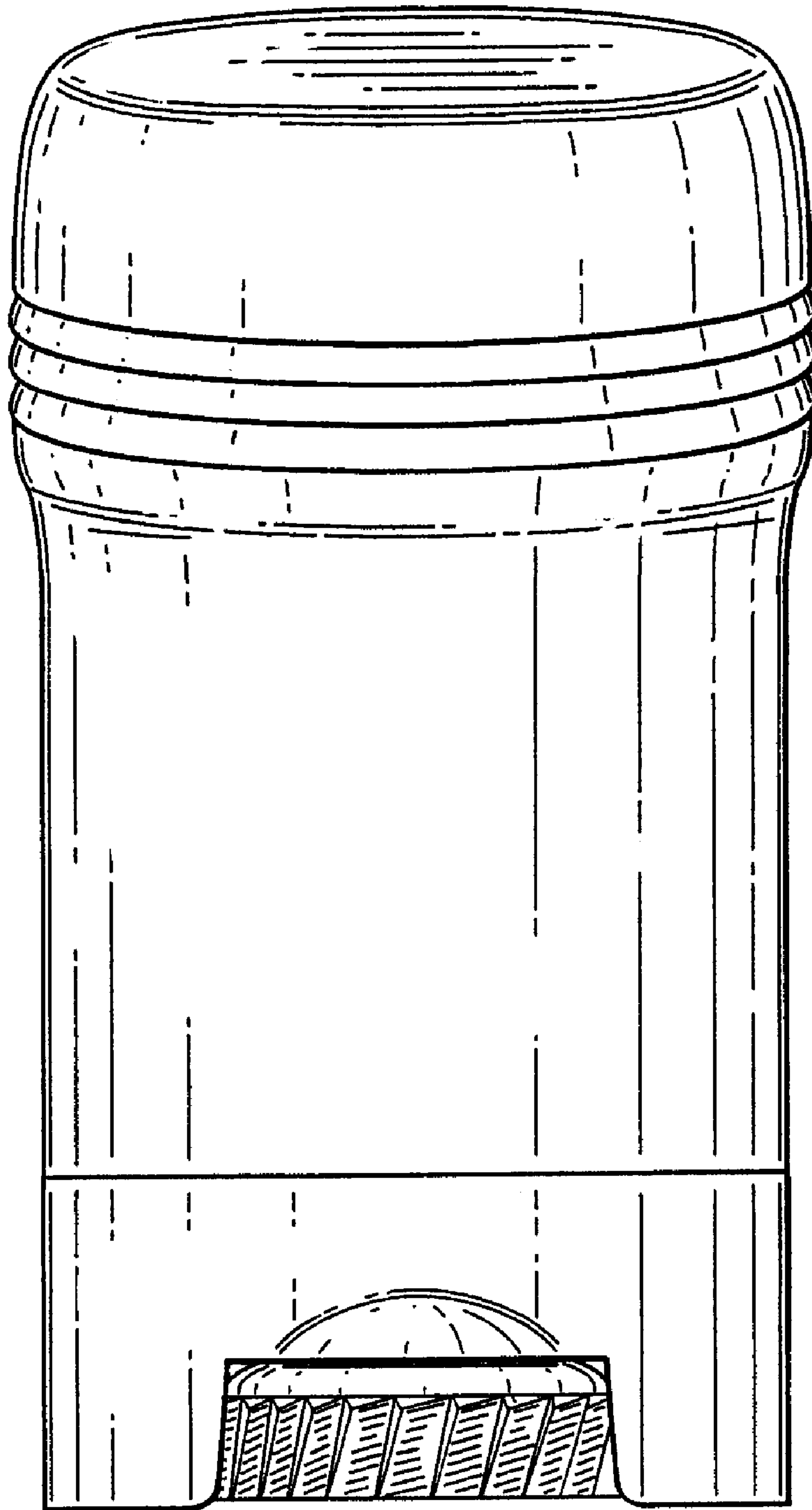


FIG. 2

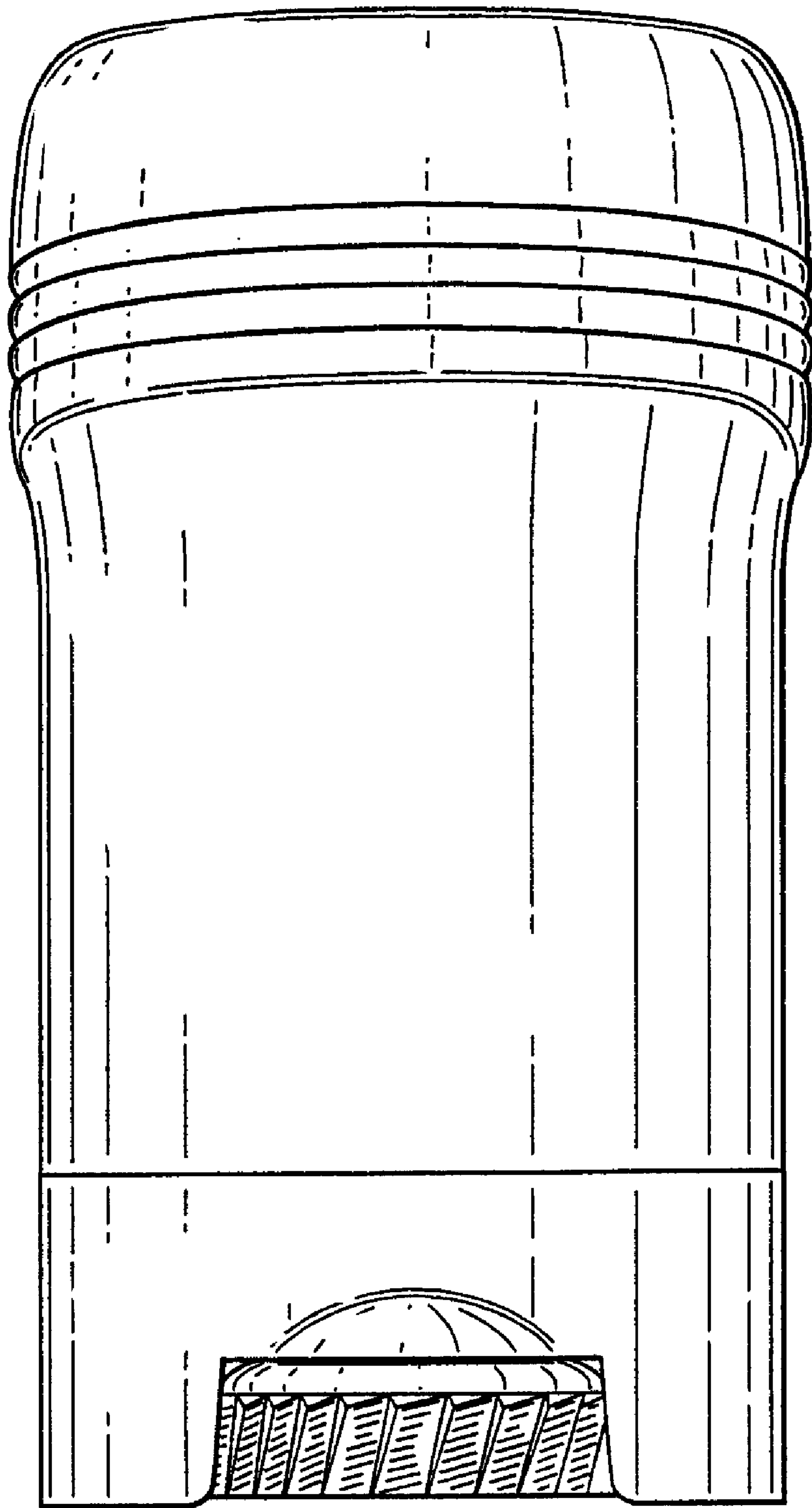


FIG. 3

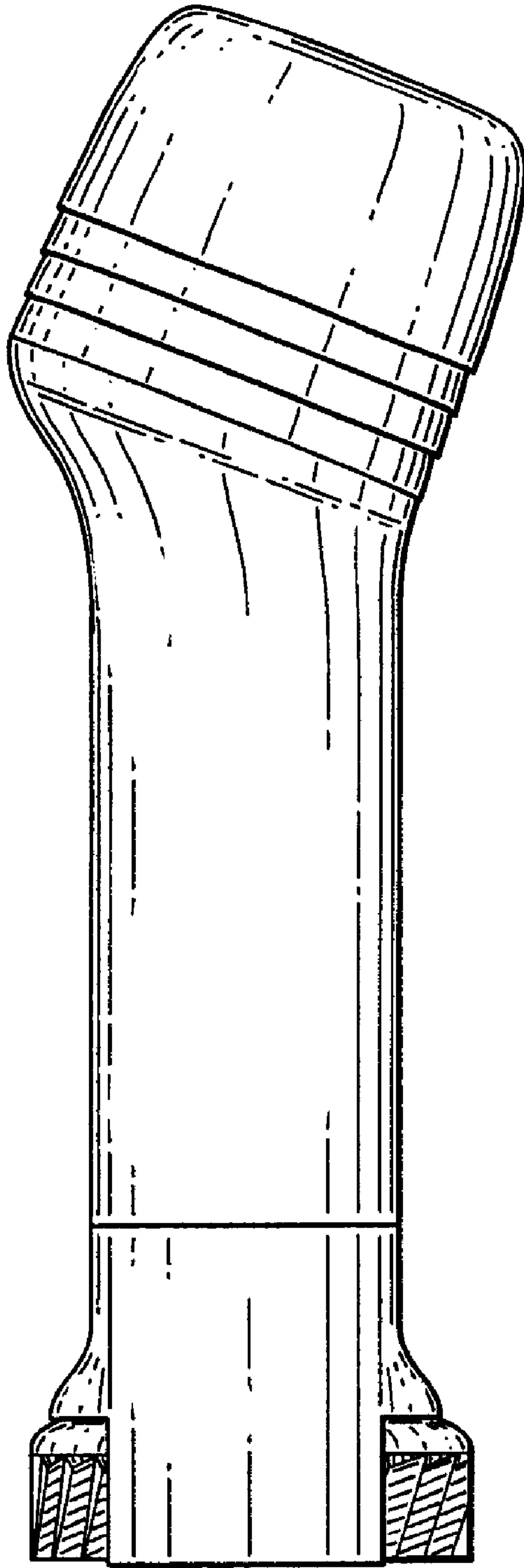


FIG. 4

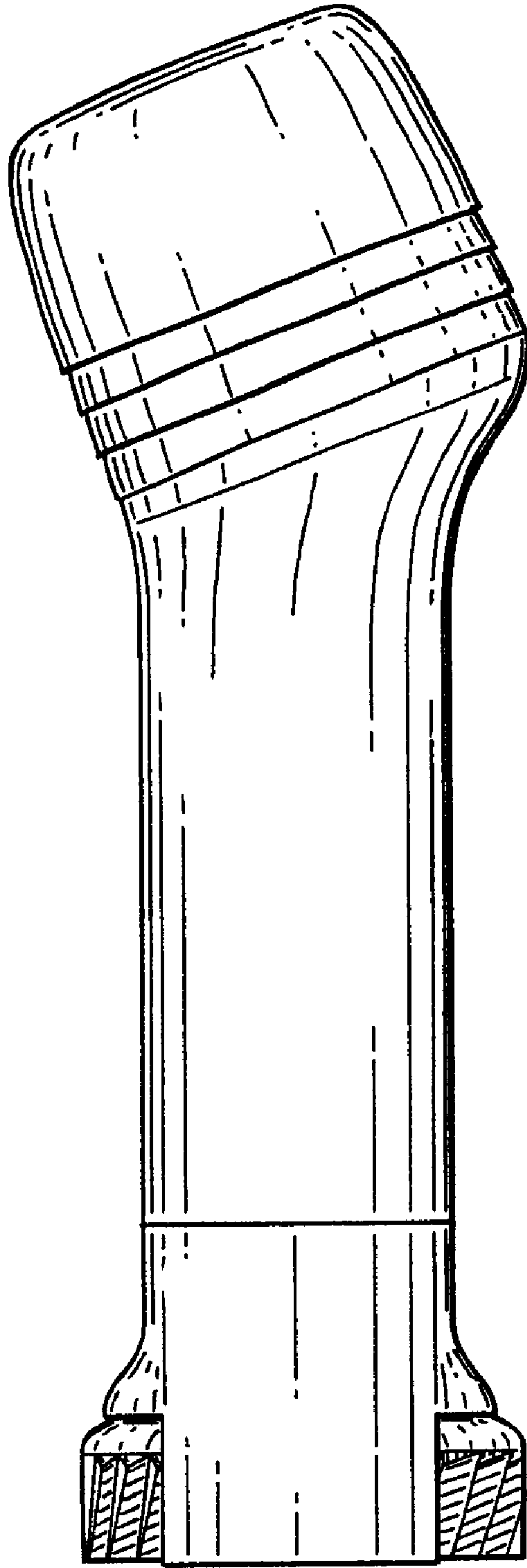


FIG. 5

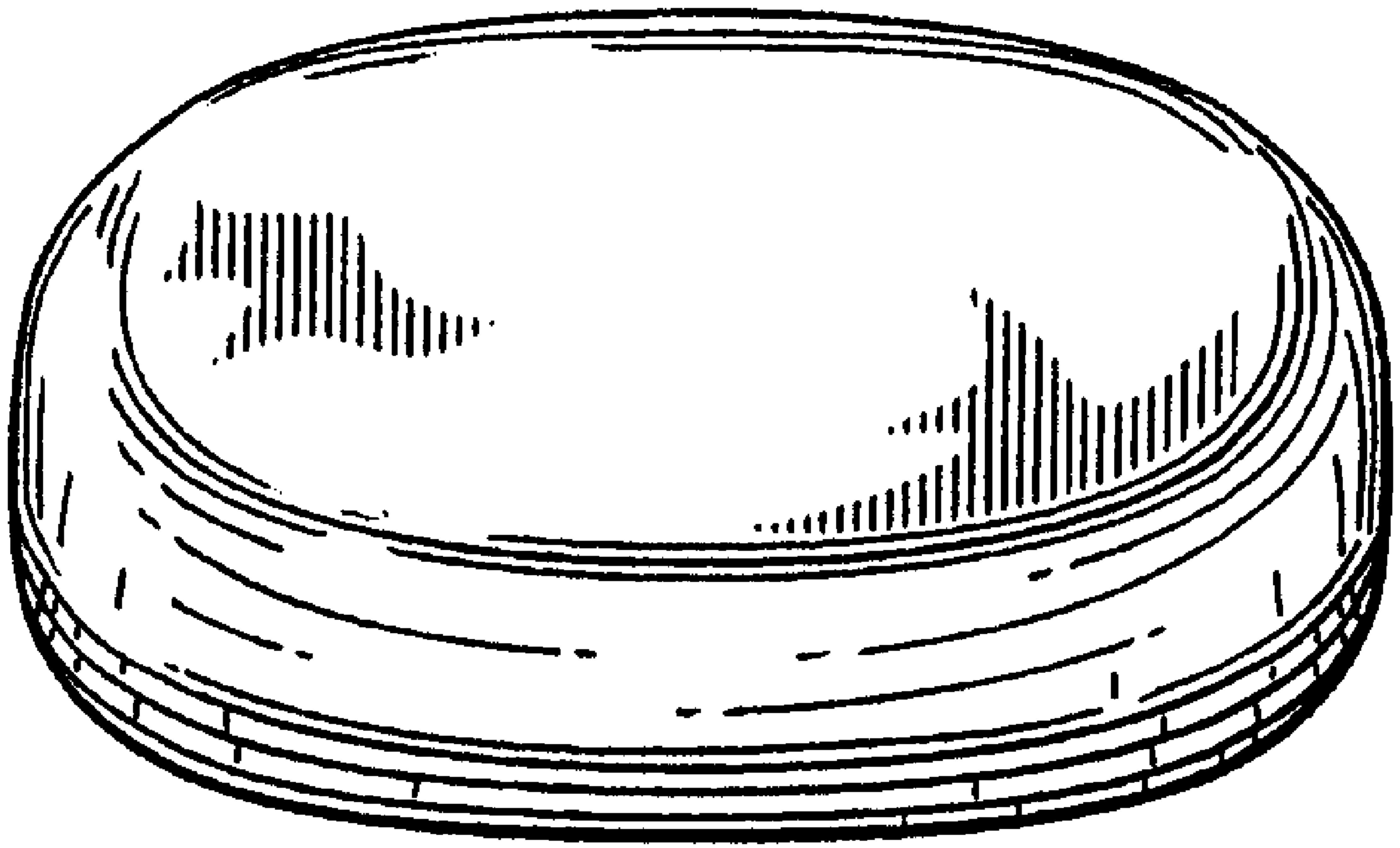


FIG. 6