



US00D462893S

(12) **United States Design Patent**
Sung

(10) **Patent No.:** **US D462,893 S**

(45) **Date of Patent:** **** Sep. 17, 2002**

(54) **ANGLED HINGED BRACKET FOR HANGING DISPLAY DEVICES ONTO VERTICAL SURFACES WITH SMOOTH SIDE WHEELS**

D356,640 S * 3/1995 Nordstrom et al. D8/373 X
D359,379 S * 6/1995 Haviland D8/373 X

* cited by examiner

(76) Inventor: **Robbin Sung**, 1528 W. Olympic Blvd.,
Los Angeles, CA (US) 90006

Primary Examiner—Brian N. Vinson
(74) *Attorney, Agent, or Firm*—Jerry H. Noh

(**) Term: **14 Years**

(57) **CLAIM**

(21) Appl. No.: **29/137,908**

The ornamental design for a angled hinged bracket for hanging display devices onto vertical surfaces with smooth side wheels, as shown and described.

(22) Filed: **Mar. 2, 2001**

DESCRIPTION

(51) **LOC (7) Cl.** **08-01**

(52) **U.S. Cl.** **D8/373**

(58) **Field of Search** D8/349, 354, 363,
D8/373, 380; 248/200, 201, 205.1, 218.4,
251, 309.1, 317

FIG. 1 is a top view of the device;
FIG. 2 is a front view thereof;
FIG. 3 is a left side elevational view of the device with the right side being a mirror image thereof; and,
FIG. 4 is a perspective view thereof.

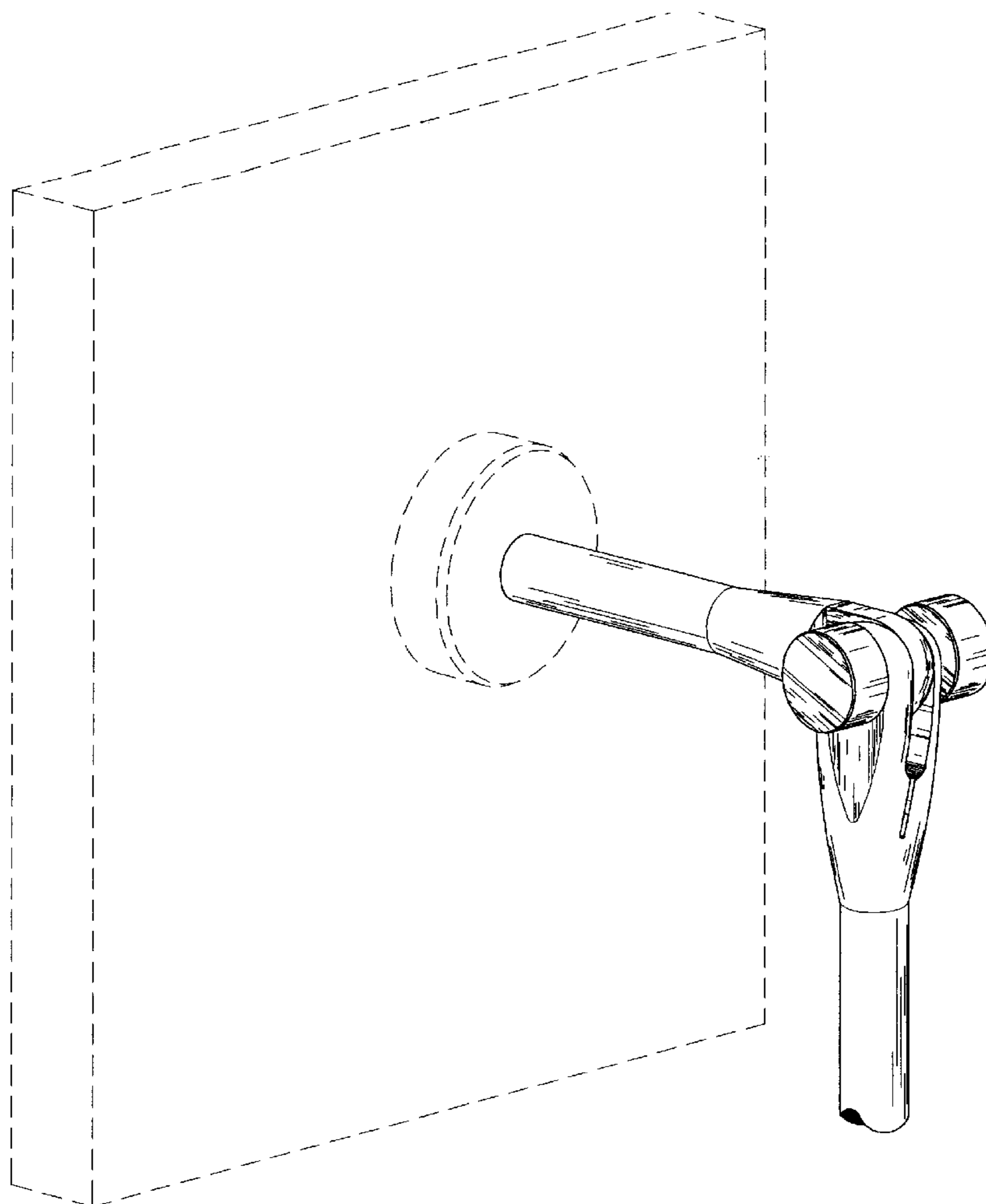
(56) **References Cited**

The portions of the above listed figures drawn in hidden lines do not form part of the present invention.

U.S. PATENT DOCUMENTS

D233,990 S * 12/1974 Booth D8/373 X

1 Claim, 2 Drawing Sheets



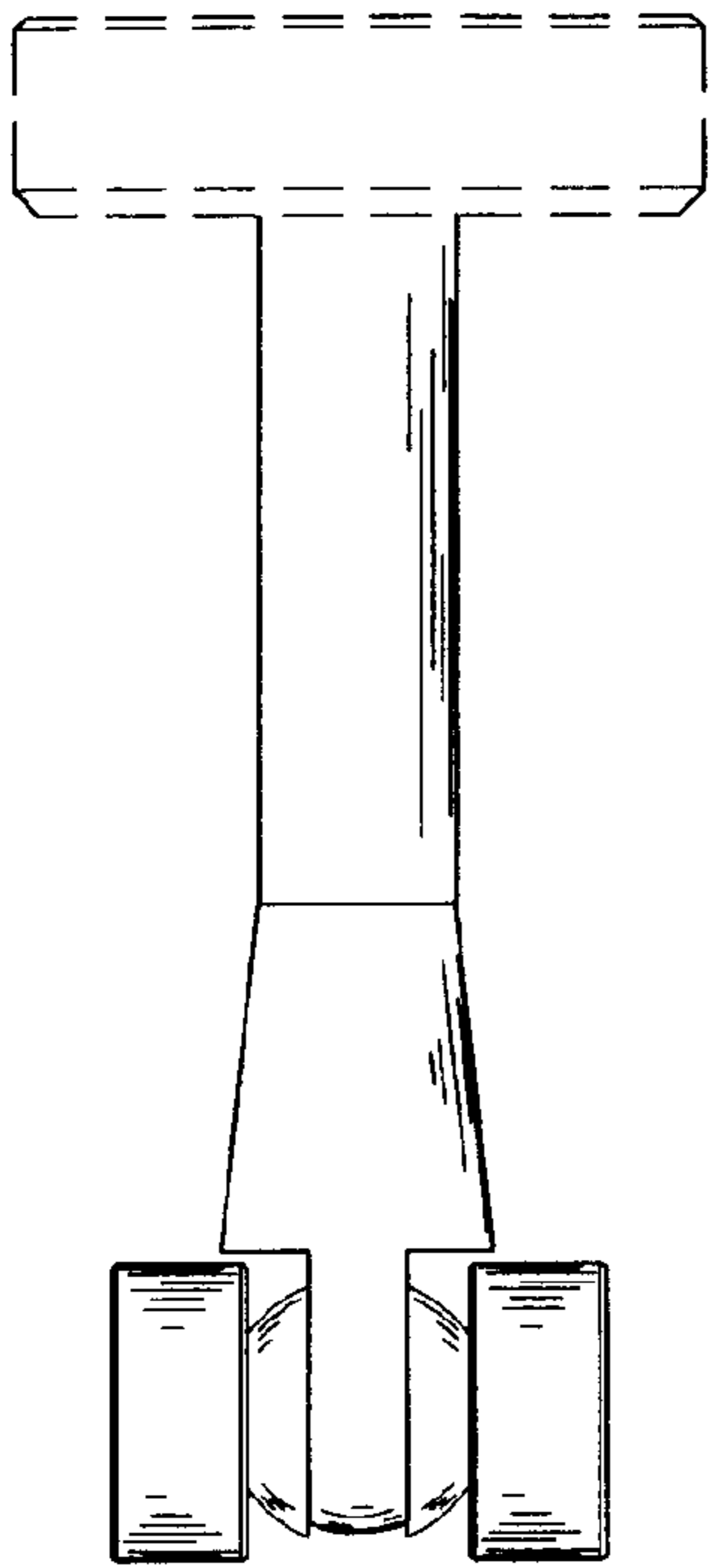


FIG. 1

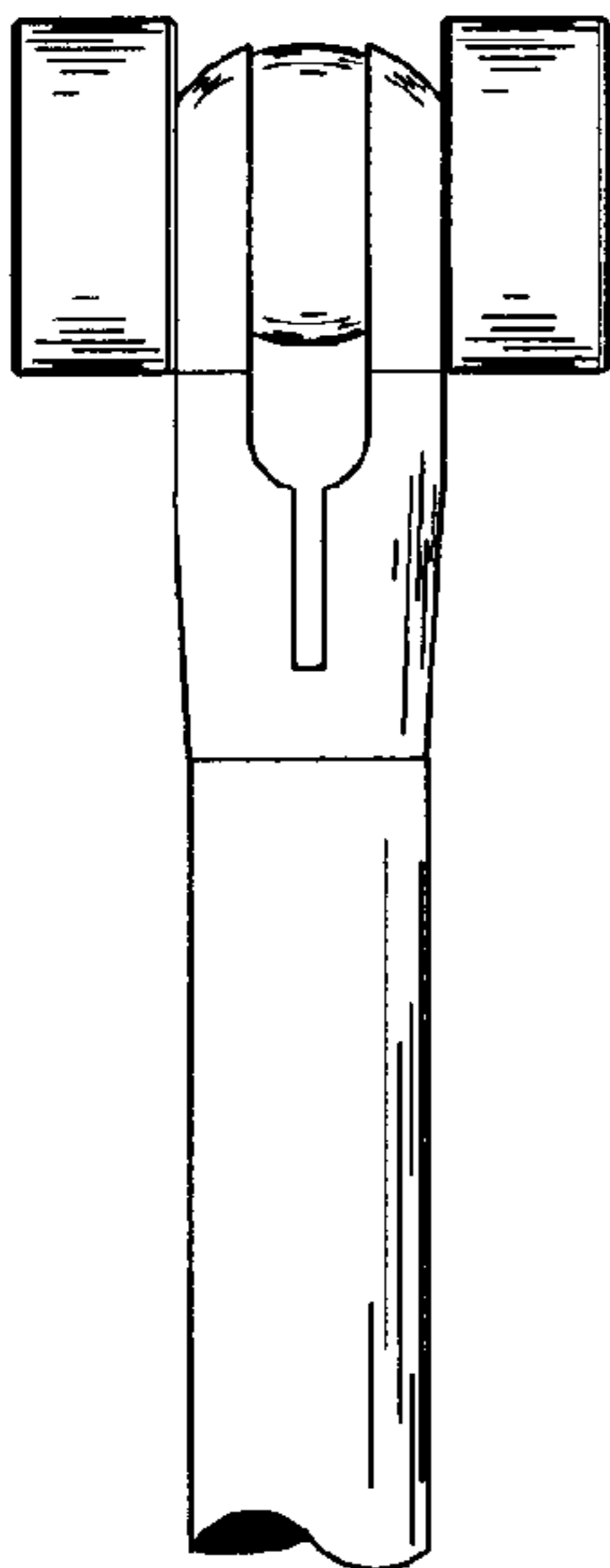


FIG. 2

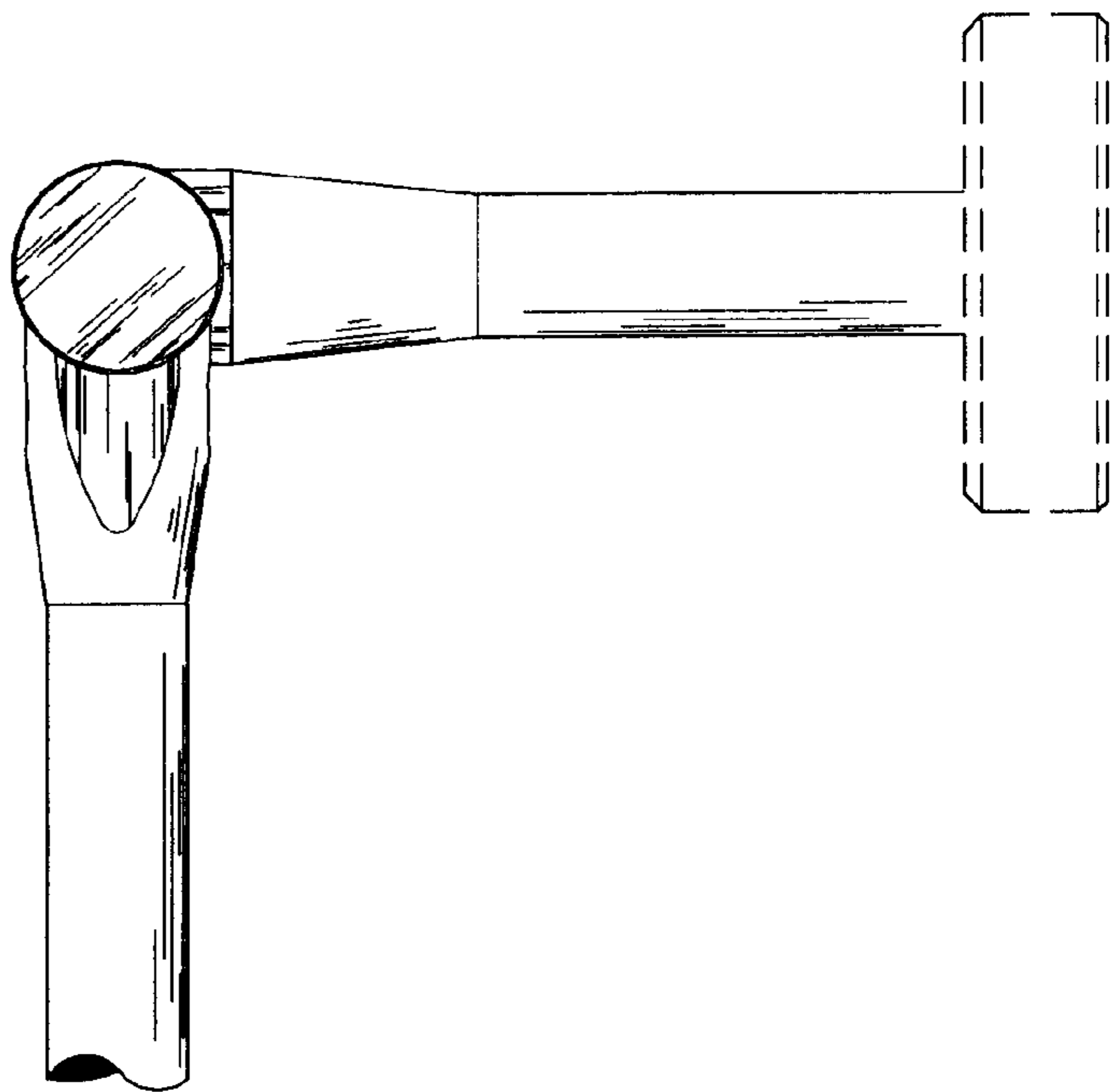


FIG. 3

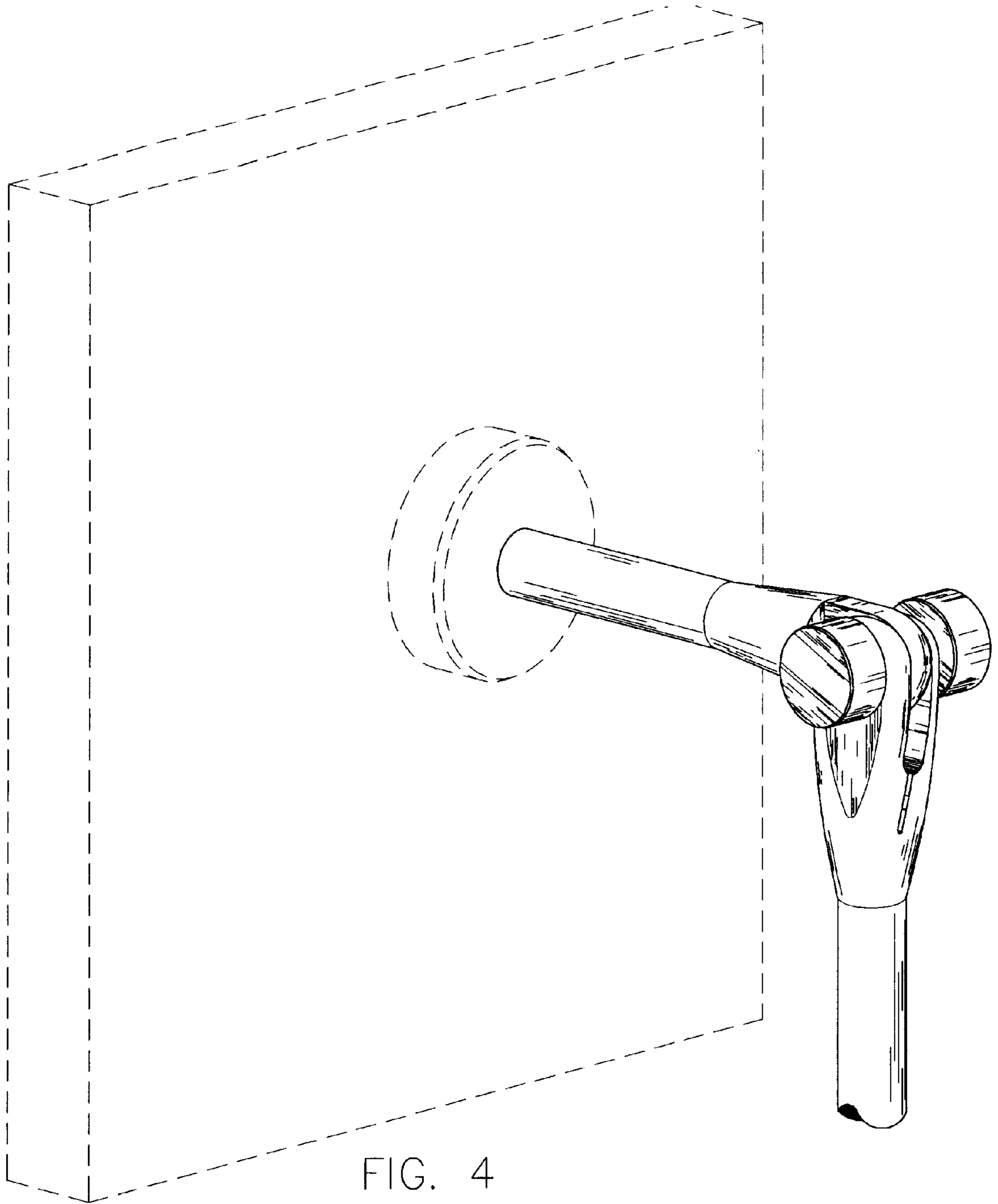


FIG. 4