



US00D462892S

(12) **United States Design Patent**
Snyder

(10) **Patent No.:** **US D462,892 S**

(45) **Date of Patent:** **** Sep. 17, 2002**

(54) **DUCT HANGER**

(75) **Inventor:** **Darryl L. Snyder**, Canton, OH (US)

(73) **Assignee:** **Snyder National Corporation**, Canton, OH (US)

(**) **Term:** **14 Years**

(21) **Appl. No.:** **29/137,379**

(22) **Filed:** **Feb. 20, 2001**

(51) **LOC (7) Cl.** **08-05**

(52) **U.S. Cl.** **D8/373**

(58) **Field of Search** D8/373, 354, 365, D8/349, 366, 371; 24/350; 248/300, 301, 317, 200, 217.3, 214, 215, 304, 341, 339, 227; 411/466, 421; 211/115, 116, 113

(56) **References Cited**

U.S. PATENT DOCUMENTS

1,175,802	A	*	3/1916	Orcutt	248/300
2,117,501	A	*	5/1938	Raymond	248/317
2,264,666	A	*	12/1941	Hexdall	411/466
2,563,242	A		8/1951	Hexdall		
3,458,166	A		7/1969	Lanz		
3,529,918	A	*	9/1970	Jureit	411/466

FOREIGN PATENT DOCUMENTS

CA 880170 9/1971

OTHER PUBLICATIONS

Hexdall Hanger Advertising Brochure, undated.

* cited by examiner

Primary Examiner—Pamela Burgess

(74) *Attorney, Agent, or Firm*—Sand & Sebolt

(57) **CLAIM**

The ornamental design for the duct hanger, as shown and described.

DESCRIPTION

FIG. 1 is a perspective view of a duct hanger showing my new design;

FIG. 2 is a top plan view of a duct hanger of FIG. 1;

FIG. 3 is a front elevational view of FIG. 2;

FIG. 4 is a bottom plan view of FIG. 2;

FIG. 5 is a left side view of FIG. 2;

FIG. 6 is a right side view of FIG. 2;

FIG. 7 is a perspective view of an alternative embodiment of the duct hanger of FIG. 1;

FIG. 8 is a top plan view of the duct hanger of FIG. 7;

FIG. 9 is a front elevation view of FIG. 2;

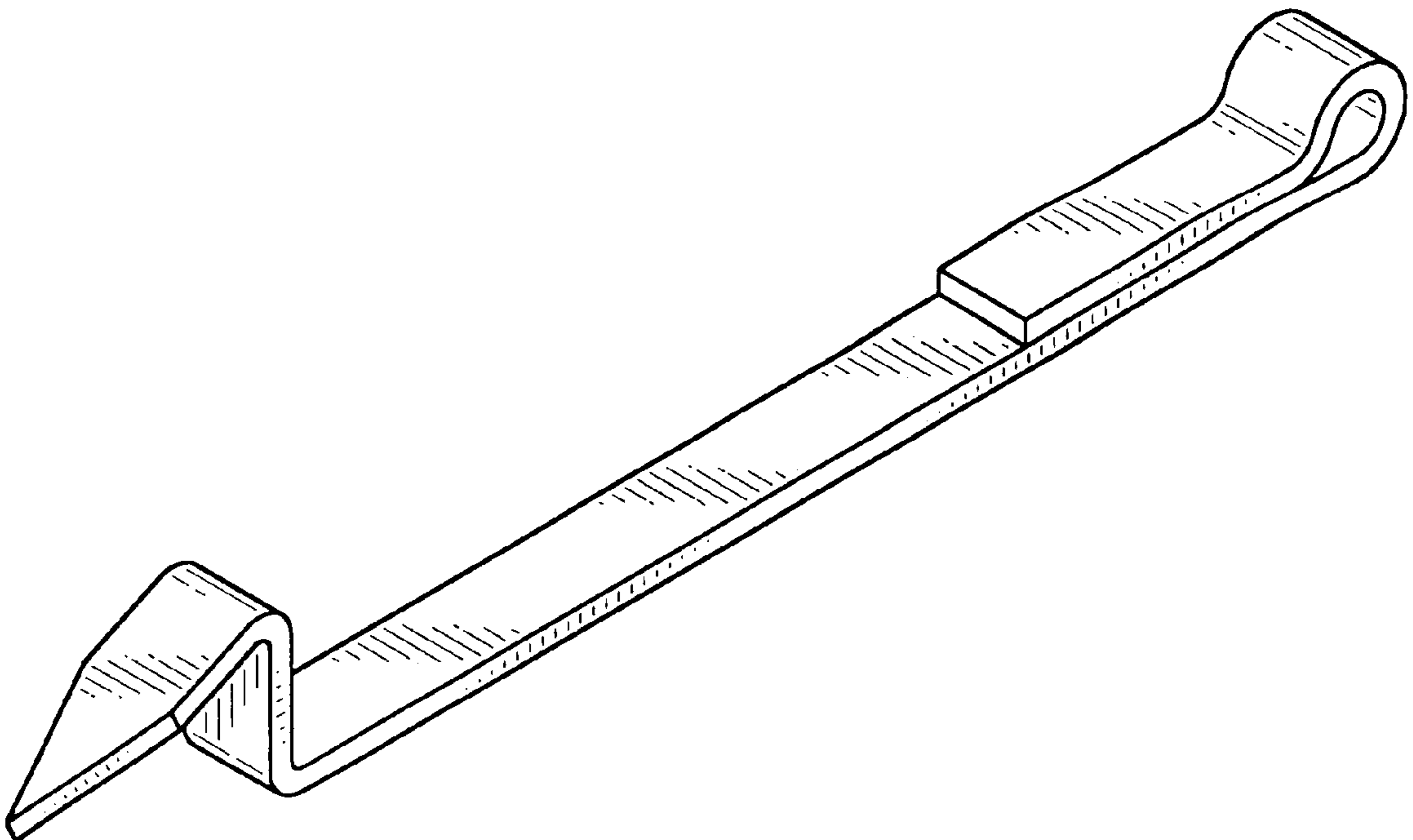
FIG. 10 is a bottom plan view of FIG. 8;

FIG. 11 is a left side elevation view of FIG. 8; and,

FIG. 12 is a right side elevation view of FIG. 8.

The broken lines shown in the second embodiment of the claimed design are for illustrative purposes only and form no part of the claimed design.

1 Claim, 2 Drawing Sheets



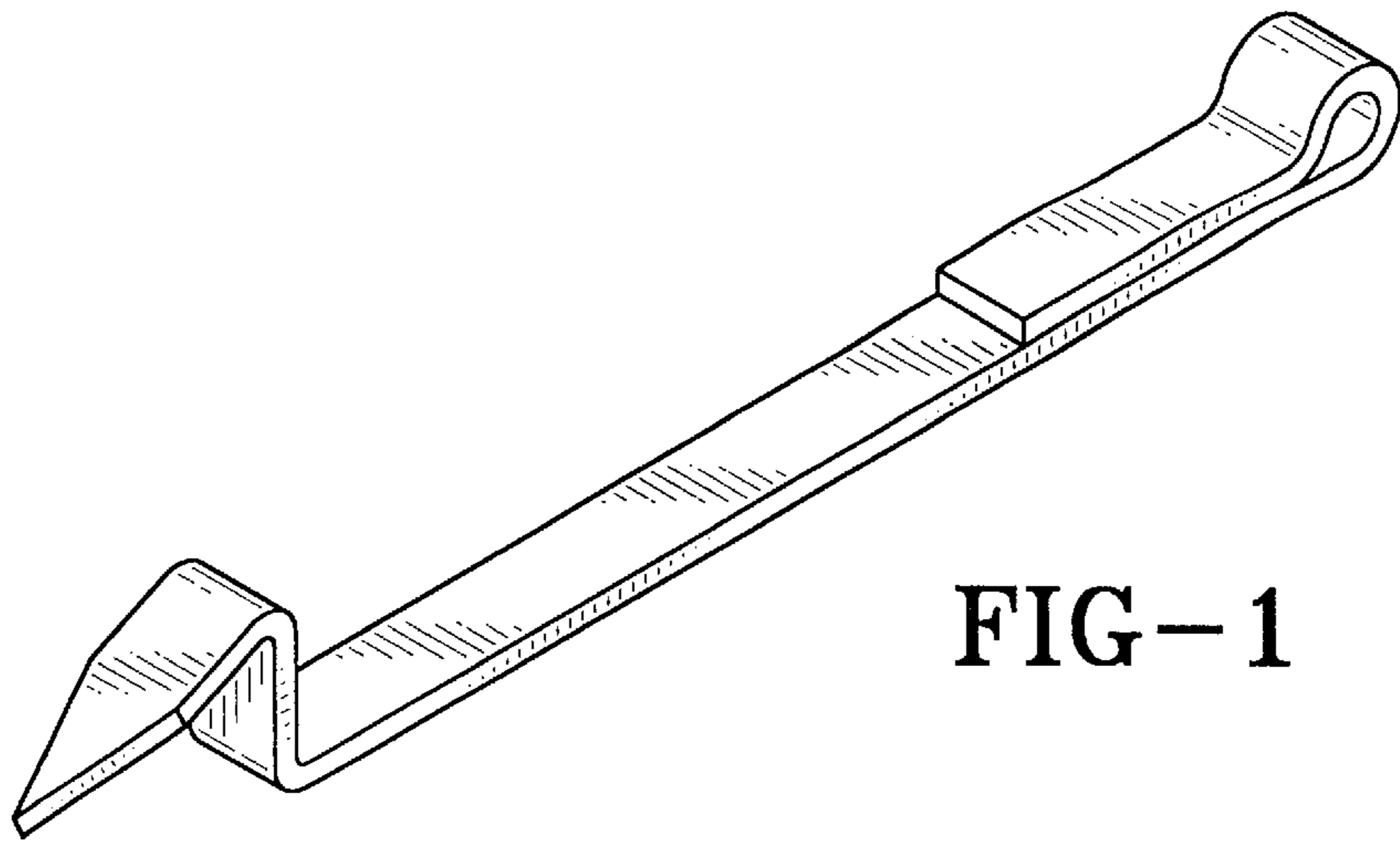


FIG-1

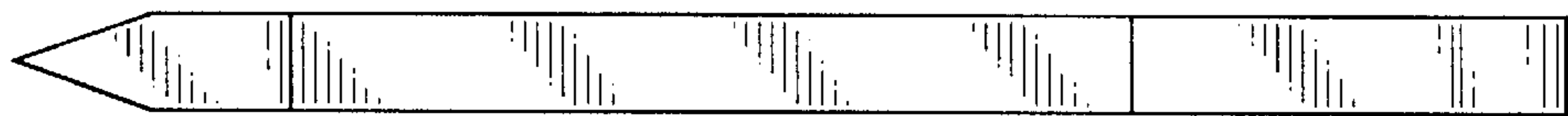


FIG-2

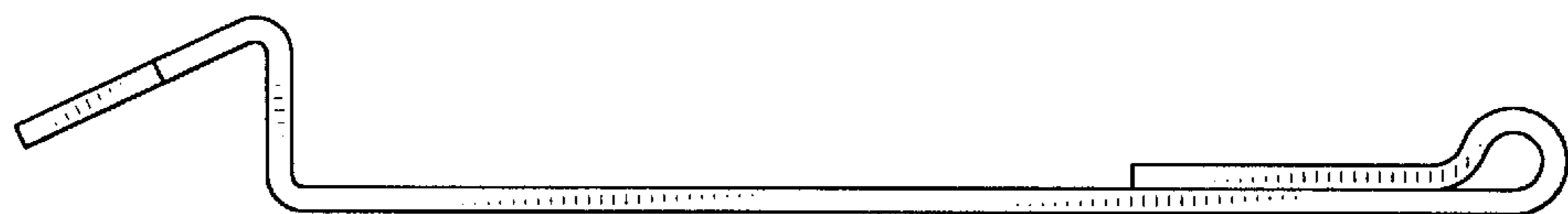


FIG-3



FIG-4



FIG-5



FIG-6

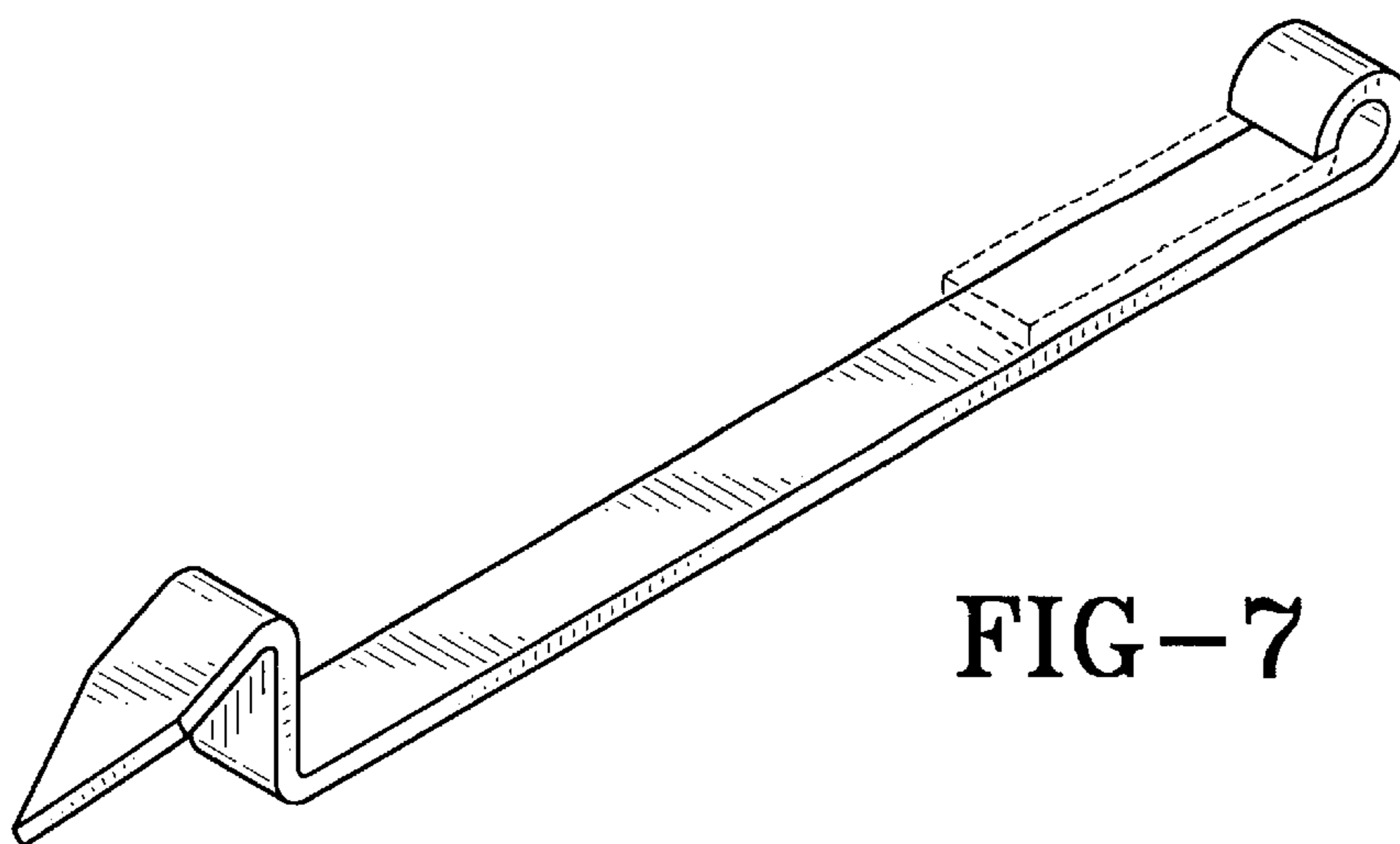


FIG-7



FIG-8

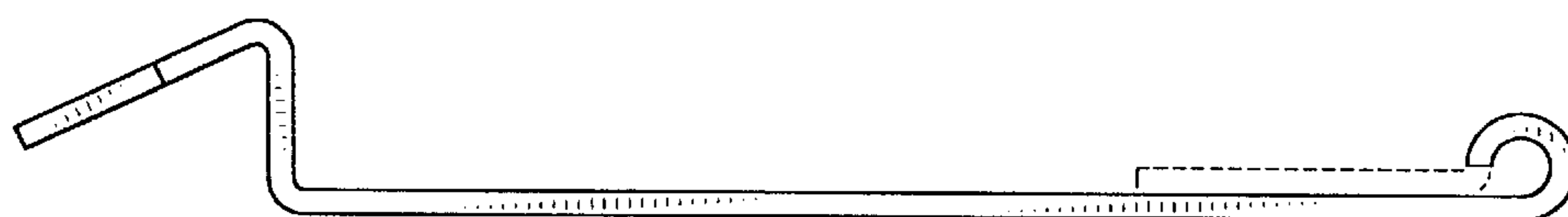


FIG-9

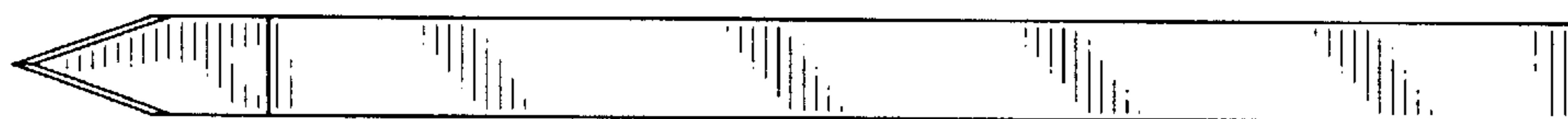


FIG-10



FIG-11



FIG-12