



US00D462890S

(12) **United States Design Patent**
Brown

(10) **Patent No.:** **US D462,890 S**

(45) **Date of Patent:** **** Sep. 17, 2002**

(54) **FLEXIBLE CABLE MANAGER**

WO WO 88/05023 7/1988
WO WO 94/15867 7/1994

(75) Inventor: **Thomas A. Brown**, Calgary (CA)

* cited by examiner

(73) Assignee: **Smed International, Inc.**, Calgary (CA)

Primary Examiner—Doris V. Coles
Assistant Examiner—Elizabeth A. Albert
(74) *Attorney, Agent, or Firm*—Flynn, Thiel, Boutell & Tanis, P.C.

(**) Term: **14 Years**

(21) Appl. No.: **29/143,528**

(22) Filed: **Jun. 15, 2001**

(51) **LOC (7) Cl.** **08-05**

(52) **U.S. Cl.** **D8/356**

(58) **Field of Search** D8/354, 349, 355,
D8/356, 358, 360.1, 368, 394, 395, 396,
300, 307, DIG. 2; 24/115 R, 129 B, 129 D,
129 R, 335, 336, 339, 115 H, 115 K, 115 M;
248/49, 58, 309.1, 61, 317, 51, 65; 211/87.01;
206/701; D6/512, 546; D26/26, 72; 242/388,
388.1, 406

(57) **CLAIM**

The ornamental design for a flexible cable manager, as shown and described.

DESCRIPTION

FIG. 1 is a bottom view of the flexible cable manager embodying my design;

FIG. 2 is a side elevational view thereof illustrating the flexible cable manager secured to an underside of a mounting structure as indicated in dash-dot lines, and illustrating a cable as indicated by dotted lines projecting into and out of the flexible cable manager. An elevational view taken from any point around the flexible cable manager will be identical to this view.

FIG. 3 is a sectional elevational view thereof taken along line 3—3 in FIG. 1

FIG. 4 is a perspective view, taken from above, and illustrating the interior of the flexible cable manager.

FIG. 5 is a side elevational view thereof secured on top of a horizontal mounting structure; and,

FIG. 6. is a side elevational view thereof secured on a vertical mounting structure.

In the drawings, the structures depicted by dotted lines or dash-dot lines are solely for environmental purposes, and do not constitute part of the present invention.

(56) **References Cited**

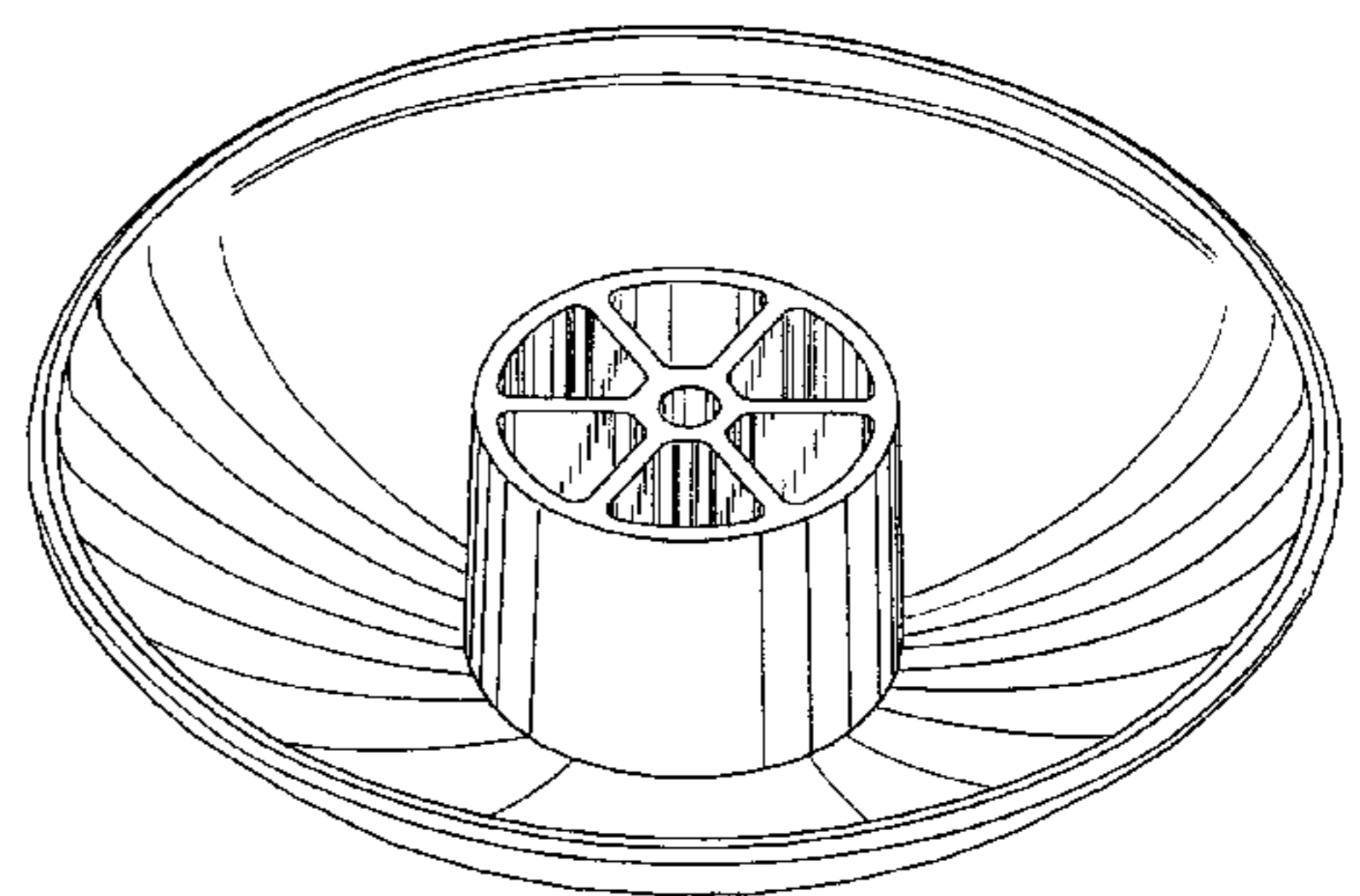
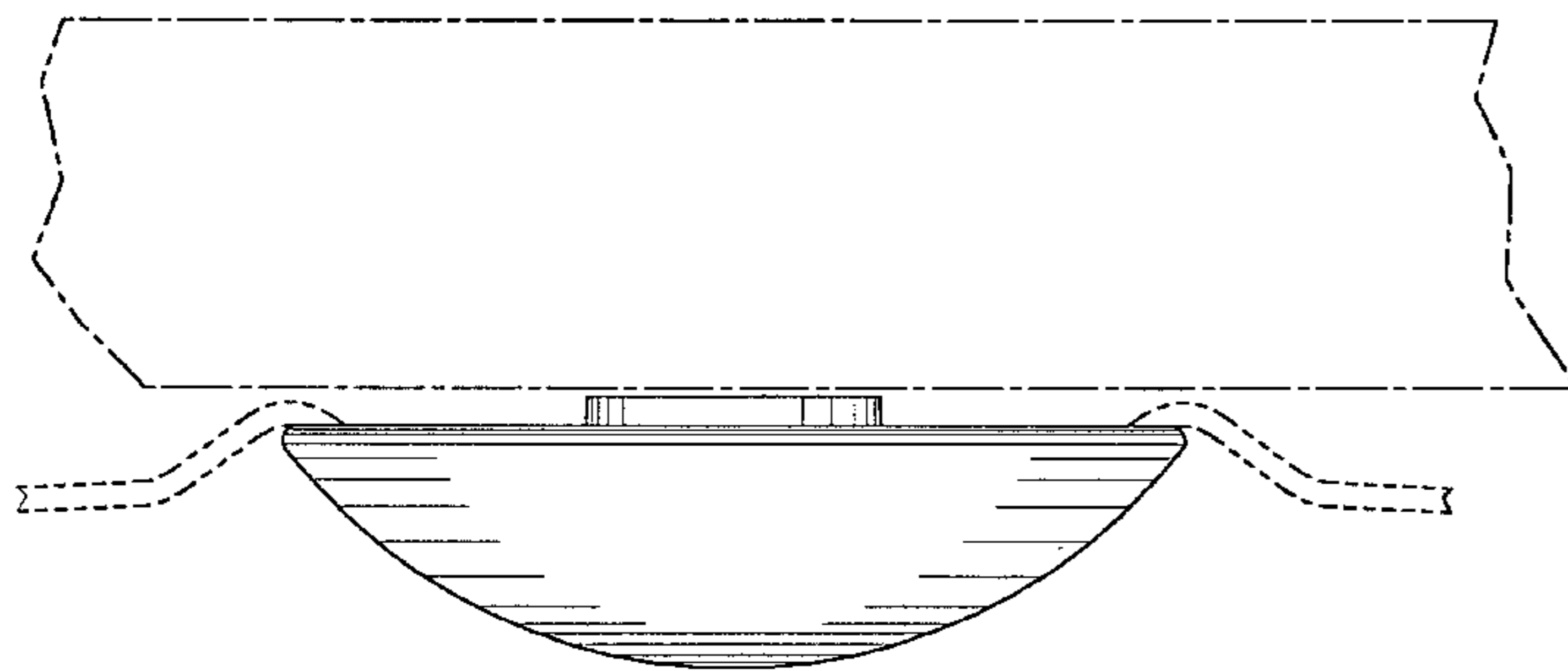
U.S. PATENT DOCUMENTS

D31,552 S	*	9/1899	Heywood	D8/356
978,762 A	*	12/1910	Liesner	24/336
2,364,262 A	*	12/1944	Wehringer	248/51
2,506,333 A	*	5/1950	Bedynek	248/682
2,572,478 A		10/1951	Hawkins		
D250,575 S	*	12/1978	Hakansson	D8/358
4,322,045 A	*	3/1982	Tellier	242/406
4,802,638 A		2/1989	Burger et al.		
4,872,622 A		10/1989	Mansfield		
D346,869 S	*	5/1994	Houssian	D26/26
D384,761 S	*	10/1997	Littman et al.	D26/72
5,873,540 A		2/1999	Hardin		

FOREIGN PATENT DOCUMENTS

GB 2 145 393 A 3/1985

1 Claim, 3 Drawing Sheets



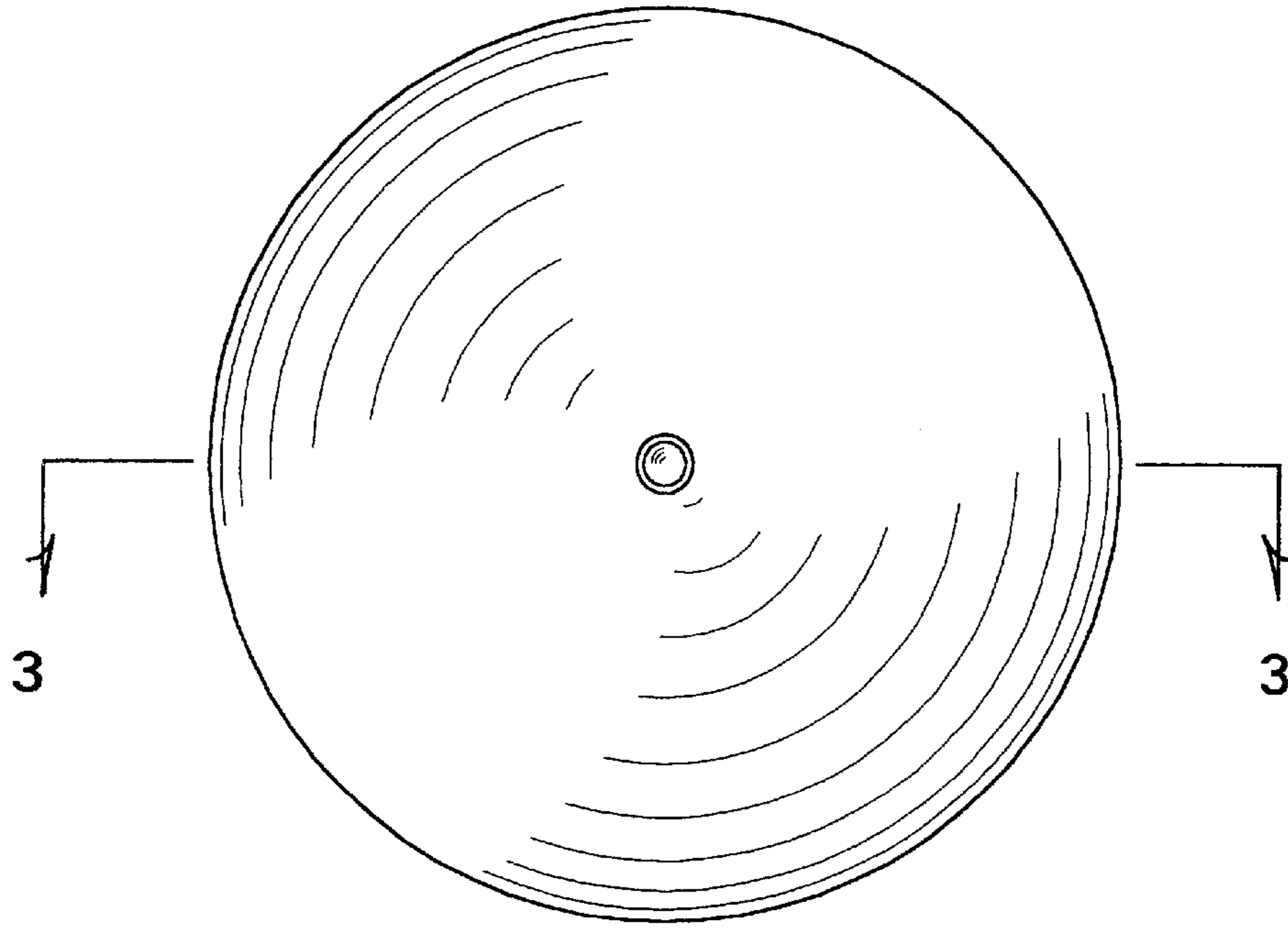


FIG. 1

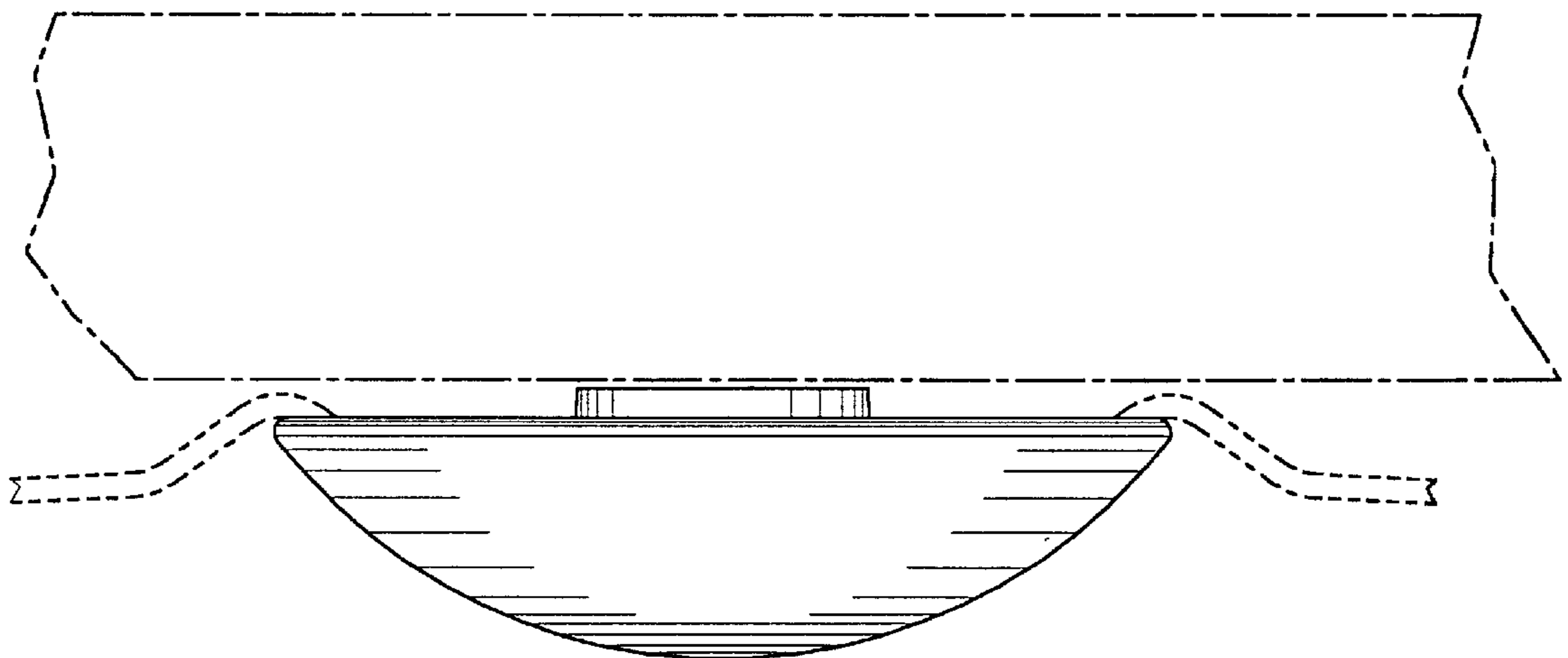


FIG. 2

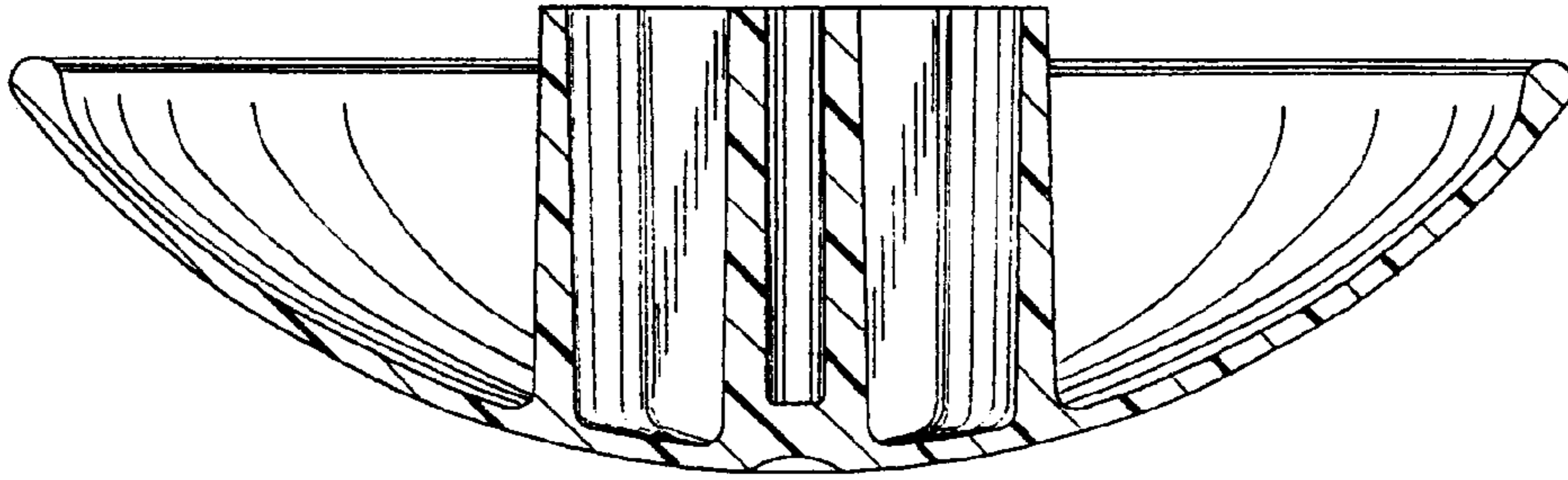


FIG. 3

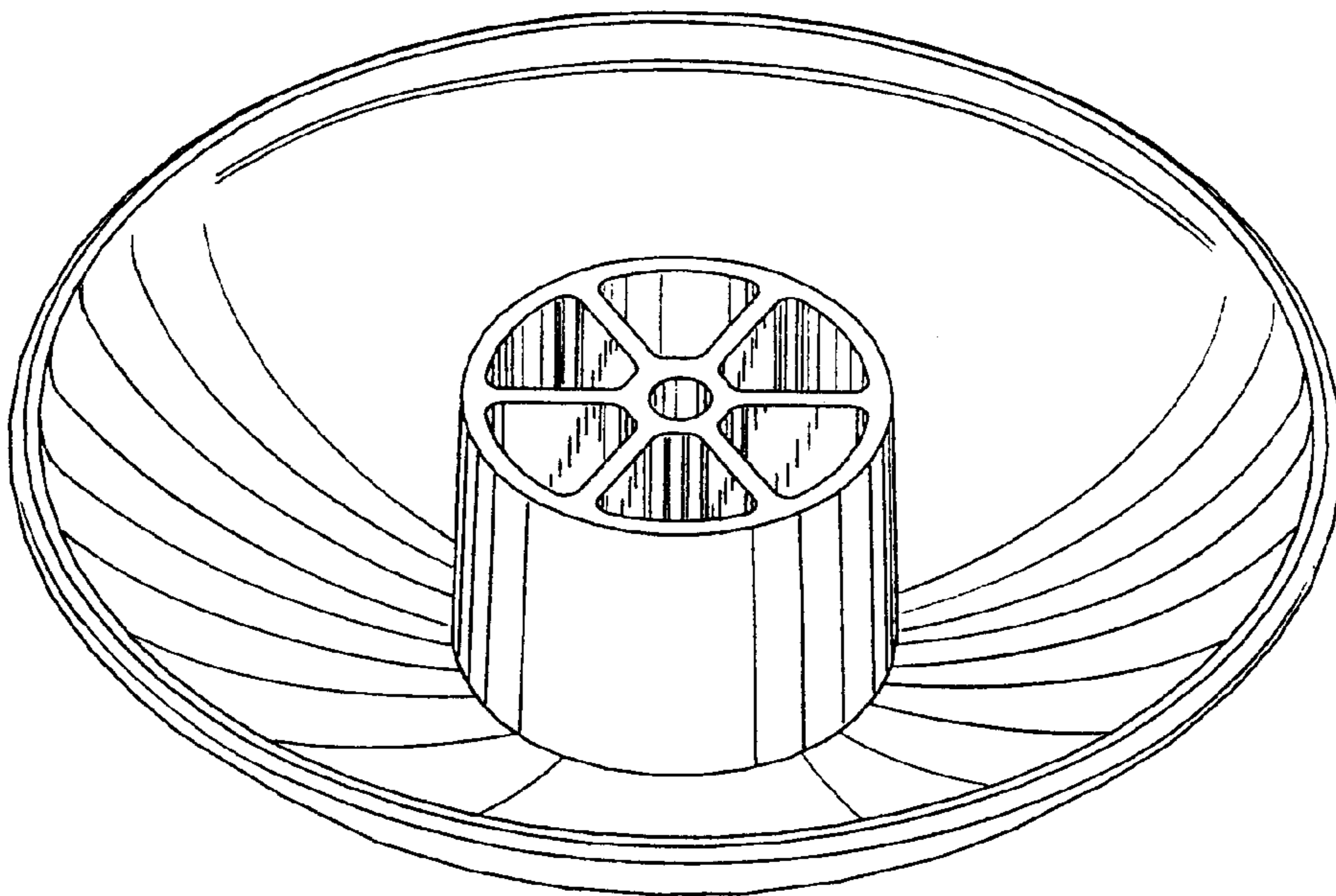


FIG. 4

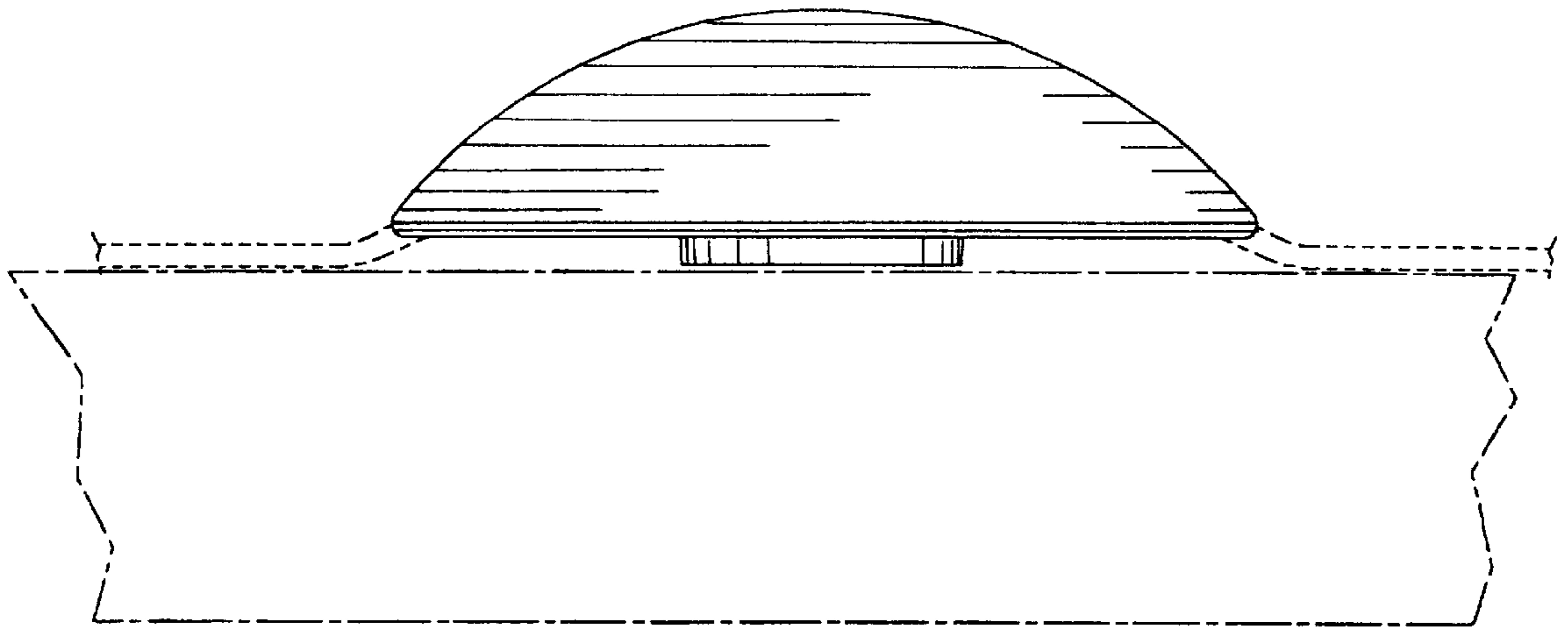


FIG. 5

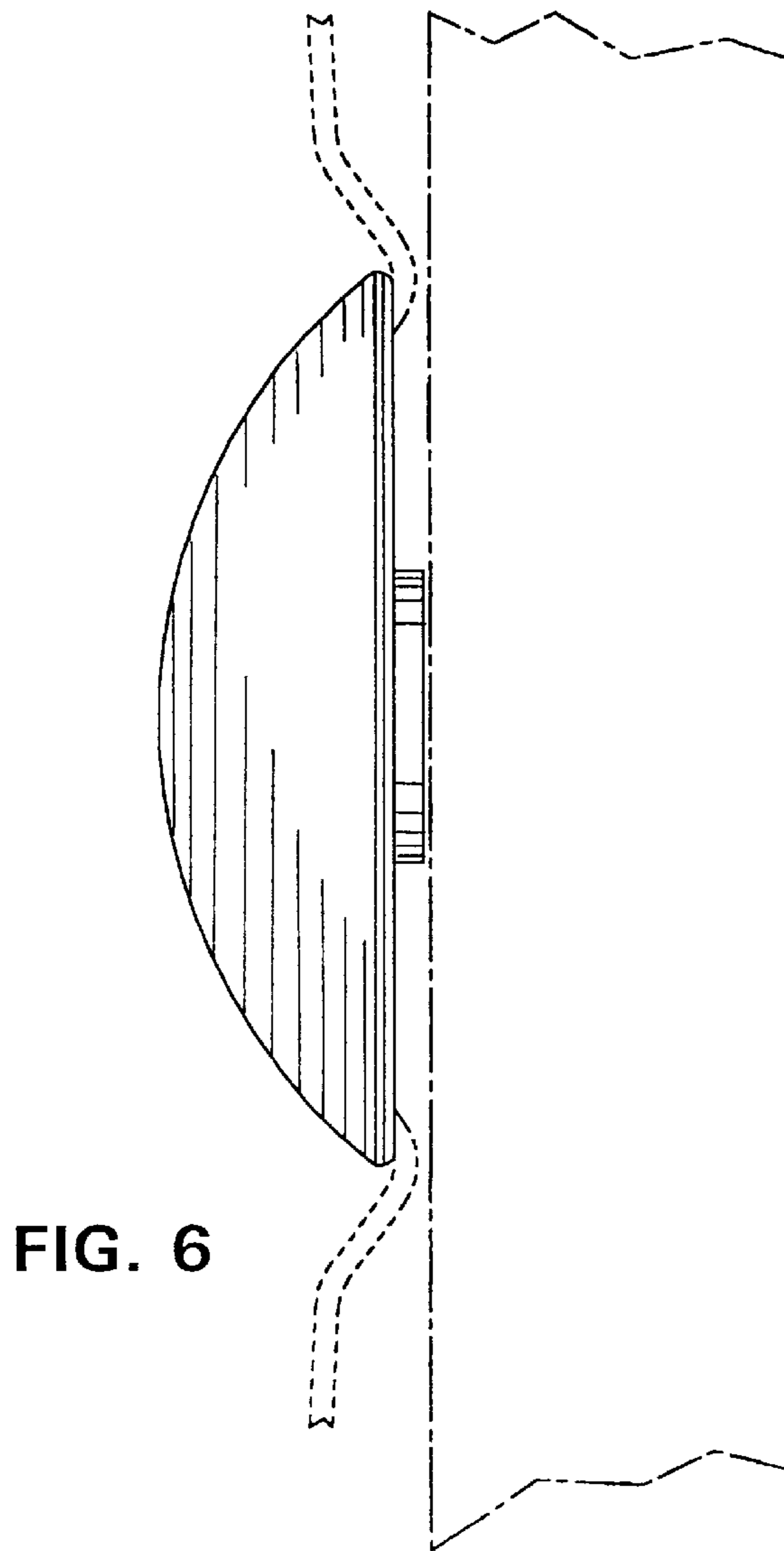


FIG. 6