



US00D462889S

(12) **United States Design Patent**  
**Wright, Sr.**

(10) **Patent No.:** **US D462,889 S**

(45) **Date of Patent:** **\*\* Sep. 17, 2002**

(54) **COLLAPSIBLE POLE**

(76) **Inventor:** **Robert L. Wright, Sr.**, 5789 McClellan Ave., Detroit, MI (US) 48213

(\*\*) **Term:** **14 Years**

(21) **Appl. No.:** **29/149,480**

(22) **Filed:** **Oct. 11, 2001**

(51) **LOC (7) Cl.** ..... **08-05**

(52) **U.S. Cl.** ..... **D8/355**

(58) **Field of Search** ..... D8/349, 354, 355,  
D8/356, 363, 367, 376; D25/127, 134;  
248/58, 121, 127, 156, 157, 159, 161, 354.1,  
530, 511, 125.1, 158

(56) **References Cited**

**U.S. PATENT DOCUMENTS**

|           |   |   |         |             |       |         |
|-----------|---|---|---------|-------------|-------|---------|
| 1,002,260 | A | * | 9/1911  | Golden      | ..... | 248/156 |
| 1,308,630 | A | * | 7/1919  | Hatch       | ..... | 248/156 |
| 1,366,872 | A | * | 1/1921  | Cantleberry | ..... | 248/156 |
| 1,452,640 | A | * | 4/1923  | Hulick      | ..... | 248/121 |
| 1,774,524 | A | * | 9/1930  | Pratt       | ..... | 248/158 |
| 2,597,157 | A | * | 5/1952  | Martino     | ..... | 248/156 |
| 2,975,999 | A | * | 3/1961  | Bunch       | ..... | 248/121 |
| 3,285,554 | A | * | 11/1966 | Voelkerding | ..... | 248/156 |

|           |   |   |         |          |       |           |
|-----------|---|---|---------|----------|-------|-----------|
| D213,564  | S | * | 3/1969  | Baccanti | ..... | D25/127   |
| 3,995,796 | A | * | 12/1976 | Kline    | ..... | 248/121   |
| 4,662,132 | A | * | 5/1987  | Tennant  | ..... | 248/159   |
| 4,725,027 | A | * | 2/1988  | Bekanich | ..... | 248/125.1 |
| 4,953,819 | A | * | 9/1990  | Davis    | ..... | 248/230.1 |
| 4,977,850 | A | * | 12/1990 | King     | ..... | 248/125.1 |
| 5,502,910 | A | * | 4/1996  | Lucchesi | ..... | 248/156   |

\* cited by examiner

*Primary Examiner*—Doris V. Coles

*Assistant Examiner*—Elizabeth A. Albert

(74) *Attorney, Agent, or Firm*—Gifford, Krass, Groh, Sprinkle, Anderson & Citkowski, P.C.

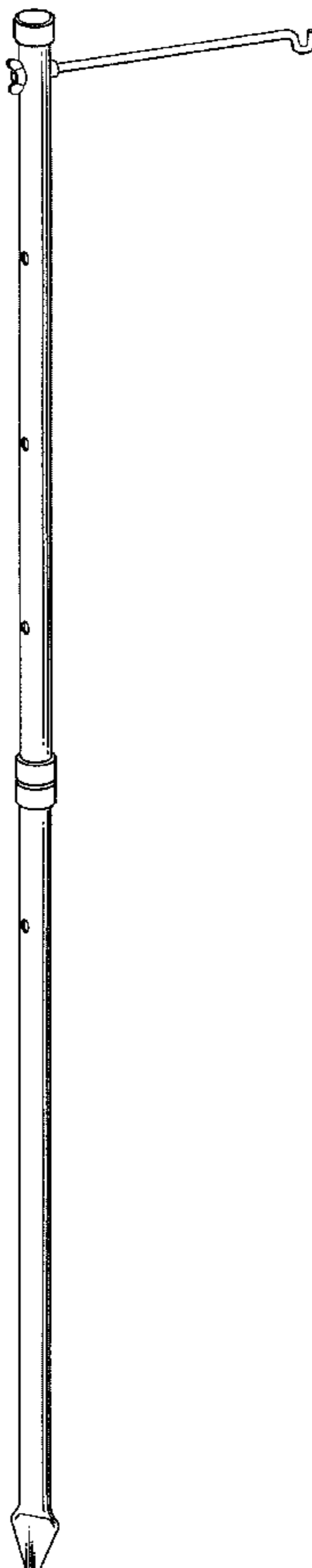
(57) **CLAIM**

The ornamental design for a collapsible pole, as shown and described.

**DESCRIPTION**

FIG. 1 is a perspective view of a collapsible pole showing my new design;  
FIG. 2 is a side elevational view of FIG. 1 on a smaller scale;  
FIG. 3 is a front elevational view of FIG. 1 on a smaller scale;  
FIG. 4 is a top plan view of FIG. 1 on a smaller scale; and,  
FIG. 5 is a bottom plan view of FIG. 1 on a smaller scale.

**1 Claim, 1 Drawing Sheet**



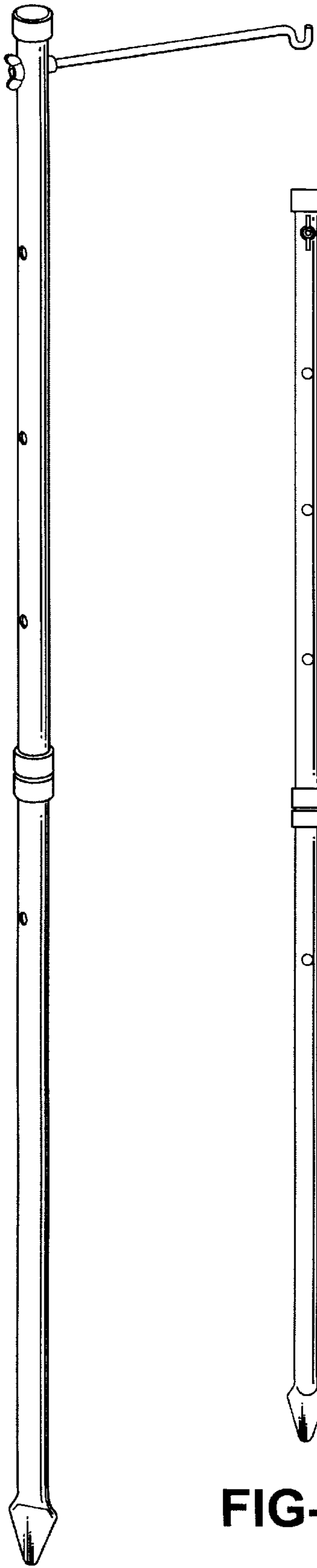


FIG-1



FIG-2

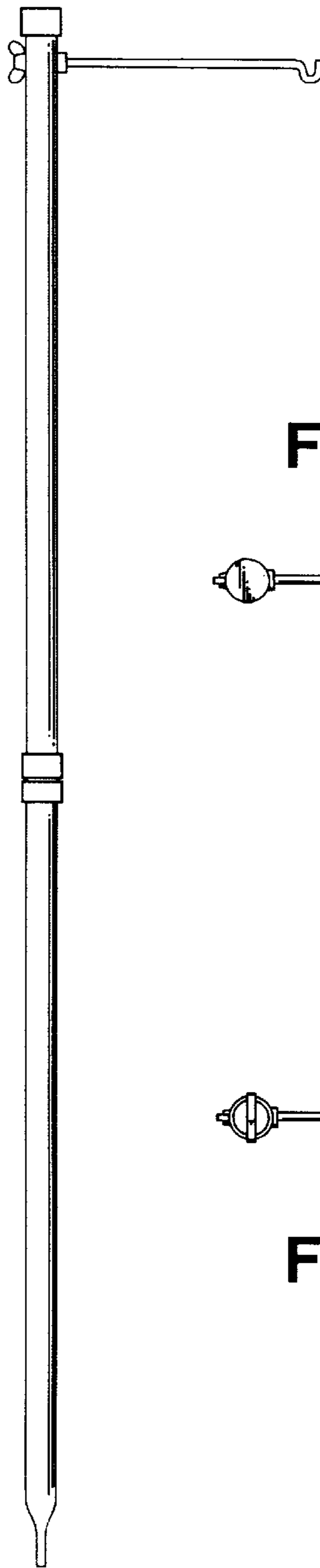


FIG-3

FIG-4

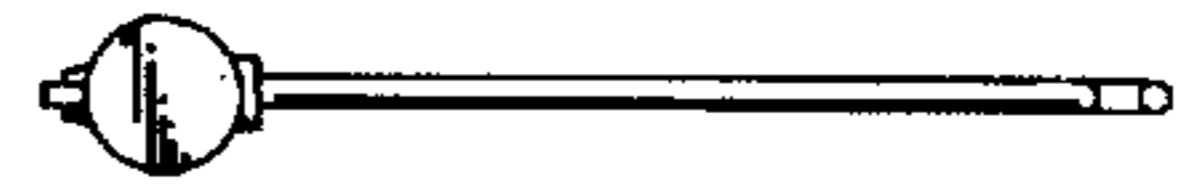


FIG-5