



US00D462888S

(12) **United States Design Patent**
Woosley

(10) **Patent No.:** **US D462,888 S**

(45) **Date of Patent:** **** Sep. 17, 2002**

(54) **SATELLITE DISH STABILIZING CLAMP**

4,628,323 A * 12/1986 Crean 343/765
D361,067 S * 8/1995 Brehmer et al. D14/238
5,490,654 A * 2/1996 Herriman 248/309.1

(75) Inventor: **John Graham Woosley**, Santa Monica,
CA (US)

* cited by examiner

(73) Assignee: **John G. Woosley**, Los Angeles, CA
(US)

Primary Examiner—Doris V. Coles
Assistant Examiner—Elizabeth A. Albert

(**) Term: **14 Years**

(57) **CLAIM**

(21) Appl. No.: **29/156,749**

The ornamental design for a satellite dish stabilizing clamp,
as shown and described.

(22) Filed: **Mar. 7, 2002**

(51) **LOC (7) Cl.** **08-05**

(52) **U.S. Cl.** **D8/354**

(58) **Field of Search** D8/349, 354, 355,
D8/356, 363, 364, 373, 380, 382, 394,
395, 396; D6/512; D14/238; 248/58, 65,
74.1, 309.1, 314, 316.7, 317, 541; 343/757,
758, 759, 760, 765, 766, 840, 880, 882,
894

DESCRIPTION

FIG. 1 is a top perspective view of a satellite dish stabilizing
clamp showing my new design;
FIG. 2 is a side elevational view of FIG. 1;
FIG. 3 is a top plan view of FIG. 1;
FIG. 4 is a bottom plan view of FIG. 1;
FIG. 5 is a right and left elevational view of FIG. 1; and,
FIG. 6 is an enlarged fragmentary view taken on line 6—6
of FIG. 3 shown for illustrative purposes only.

(56) **References Cited**

U.S. PATENT DOCUMENTS

4,595,165 A * 6/1986 Klingensmith et al. 248/539

1 Claim, 1 Drawing Sheet

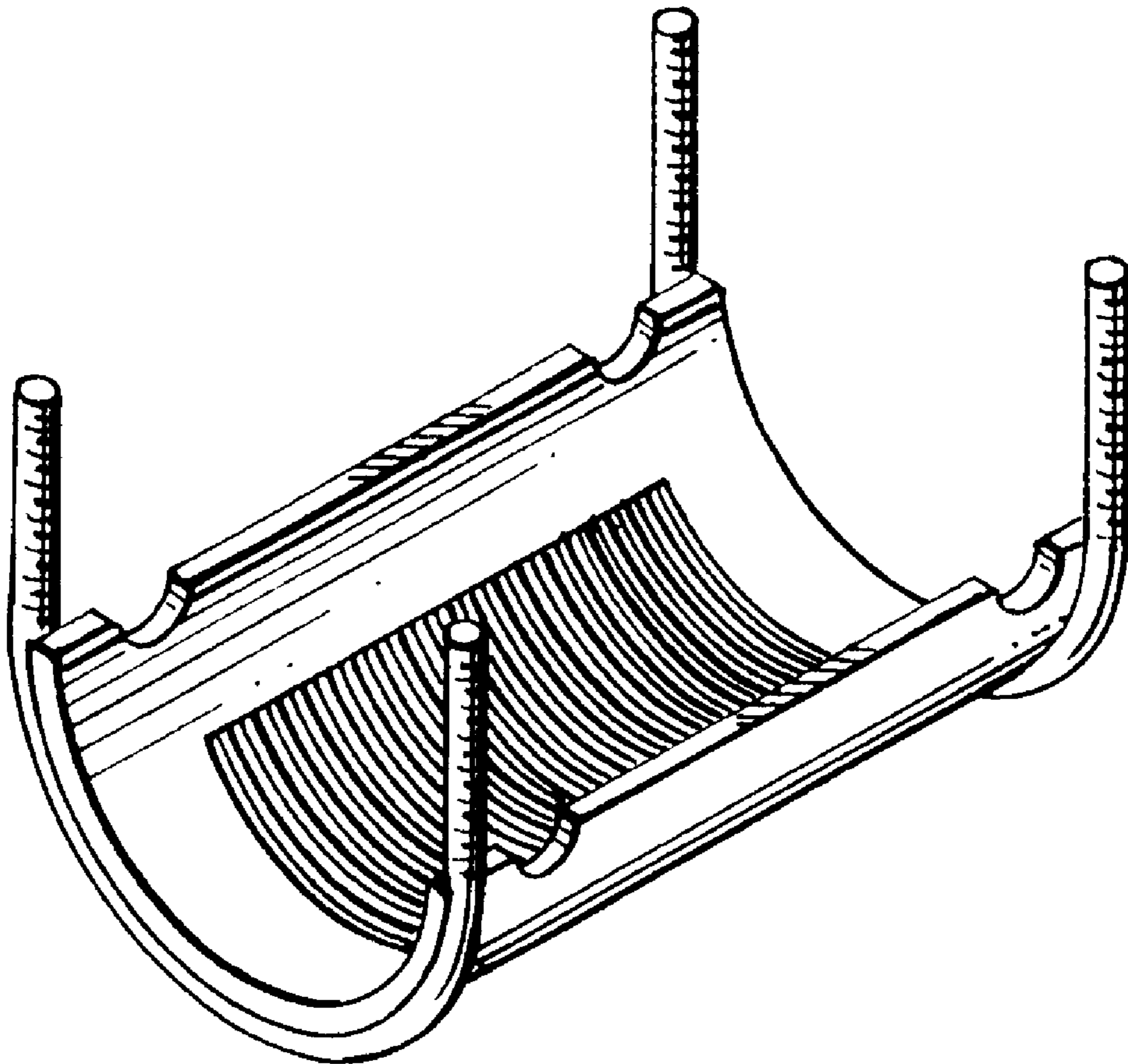


FIG. 1

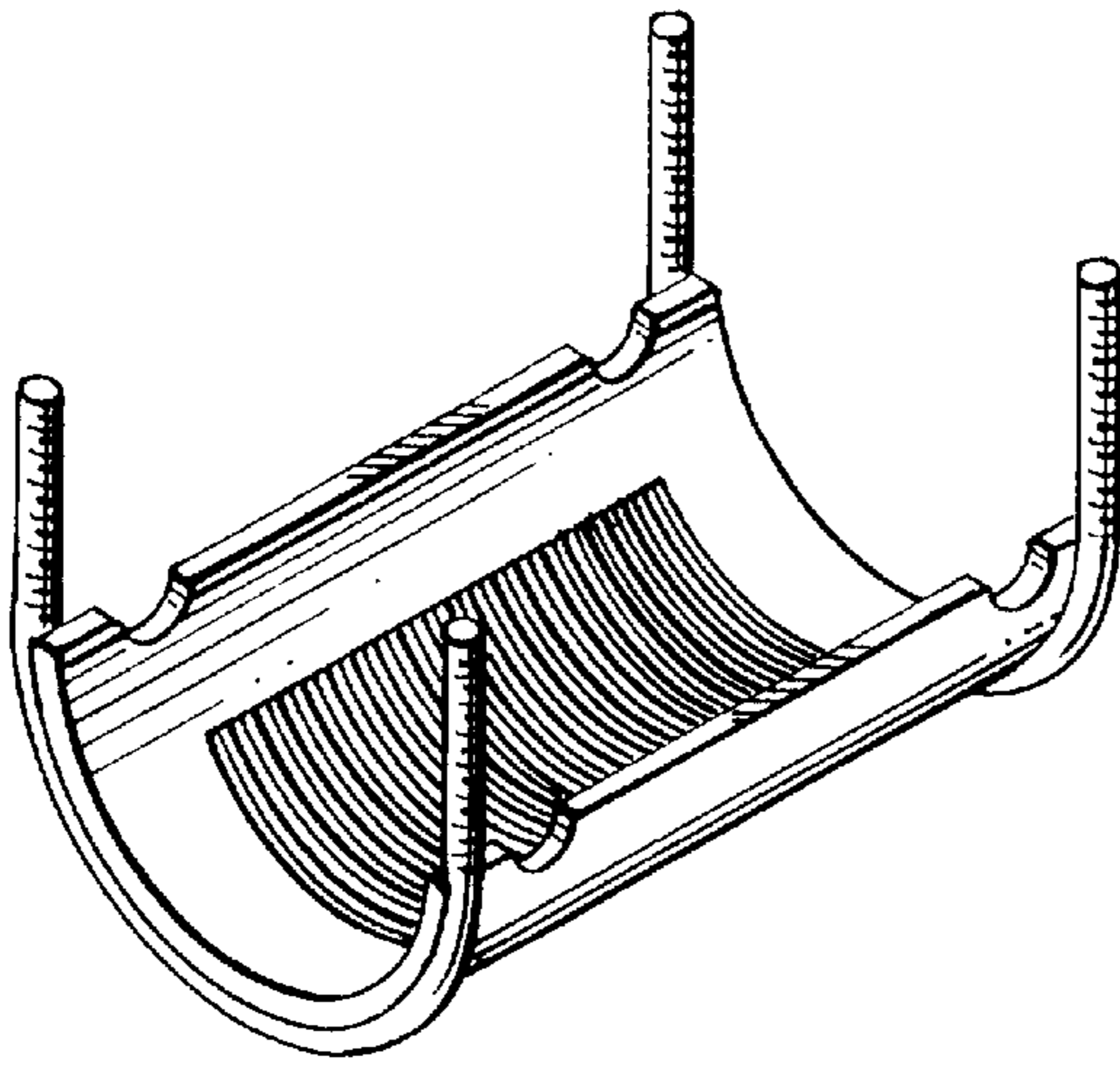


FIG. 5

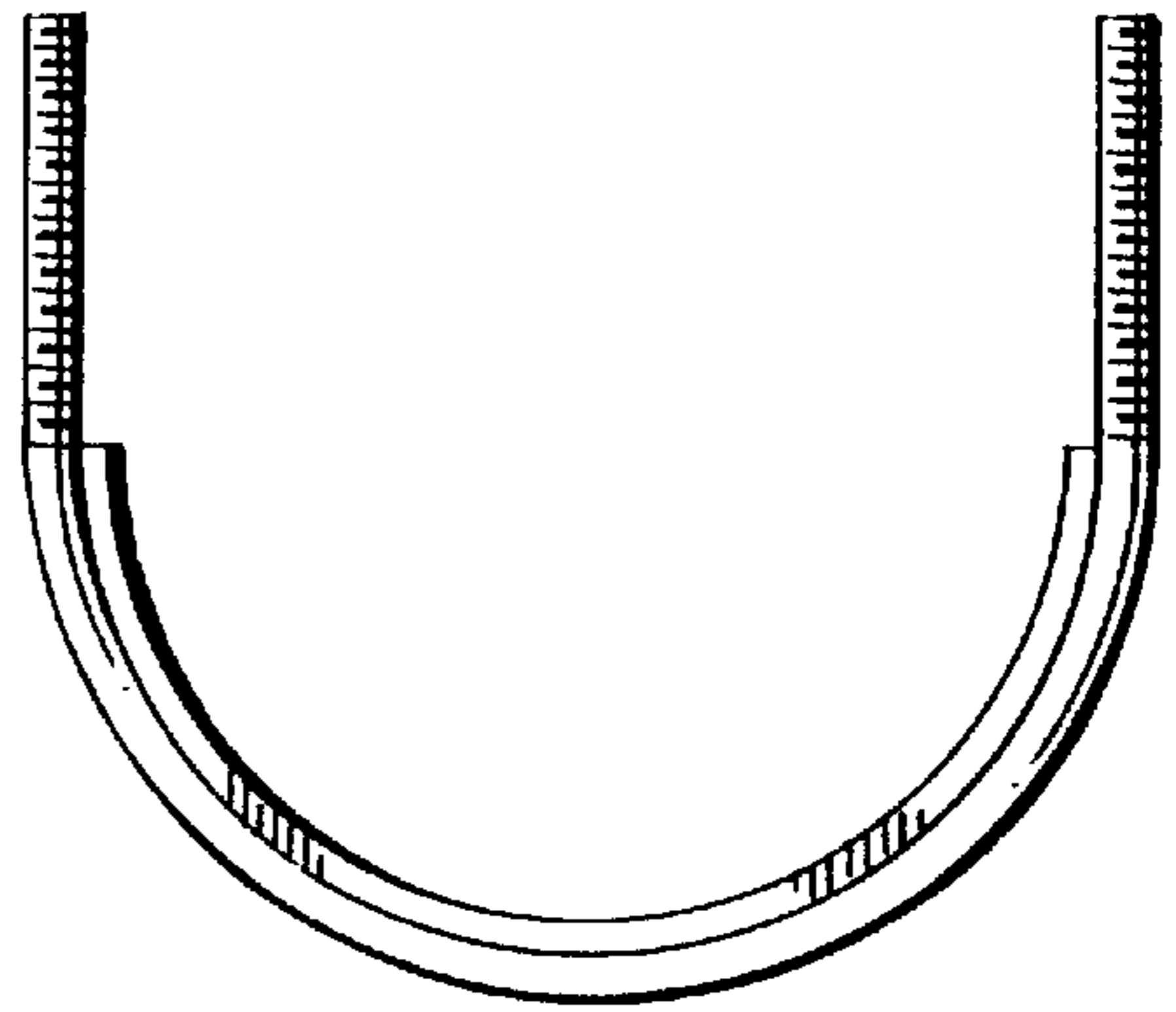


FIG. 2

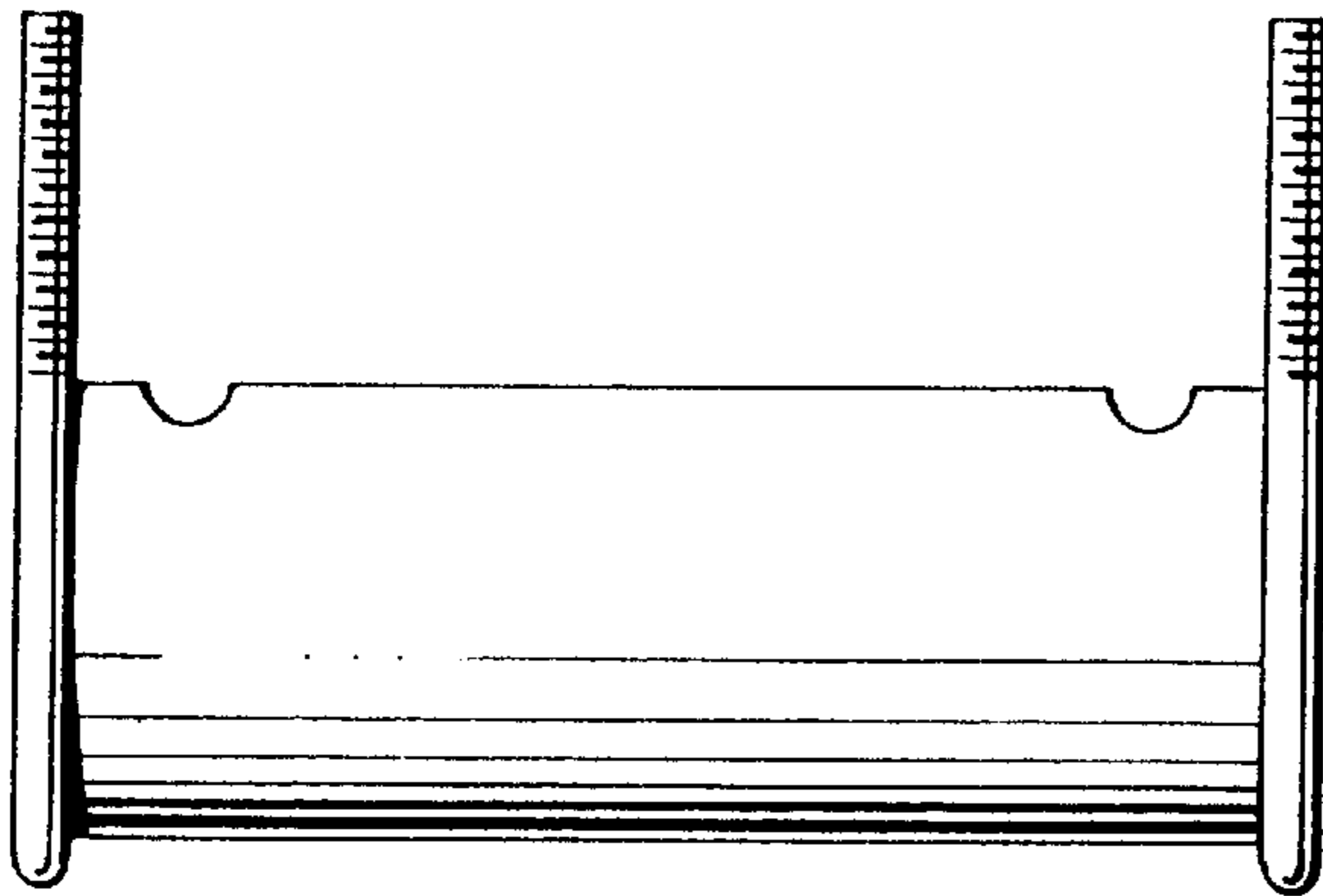


FIG. 6



6 6 FIG. 3

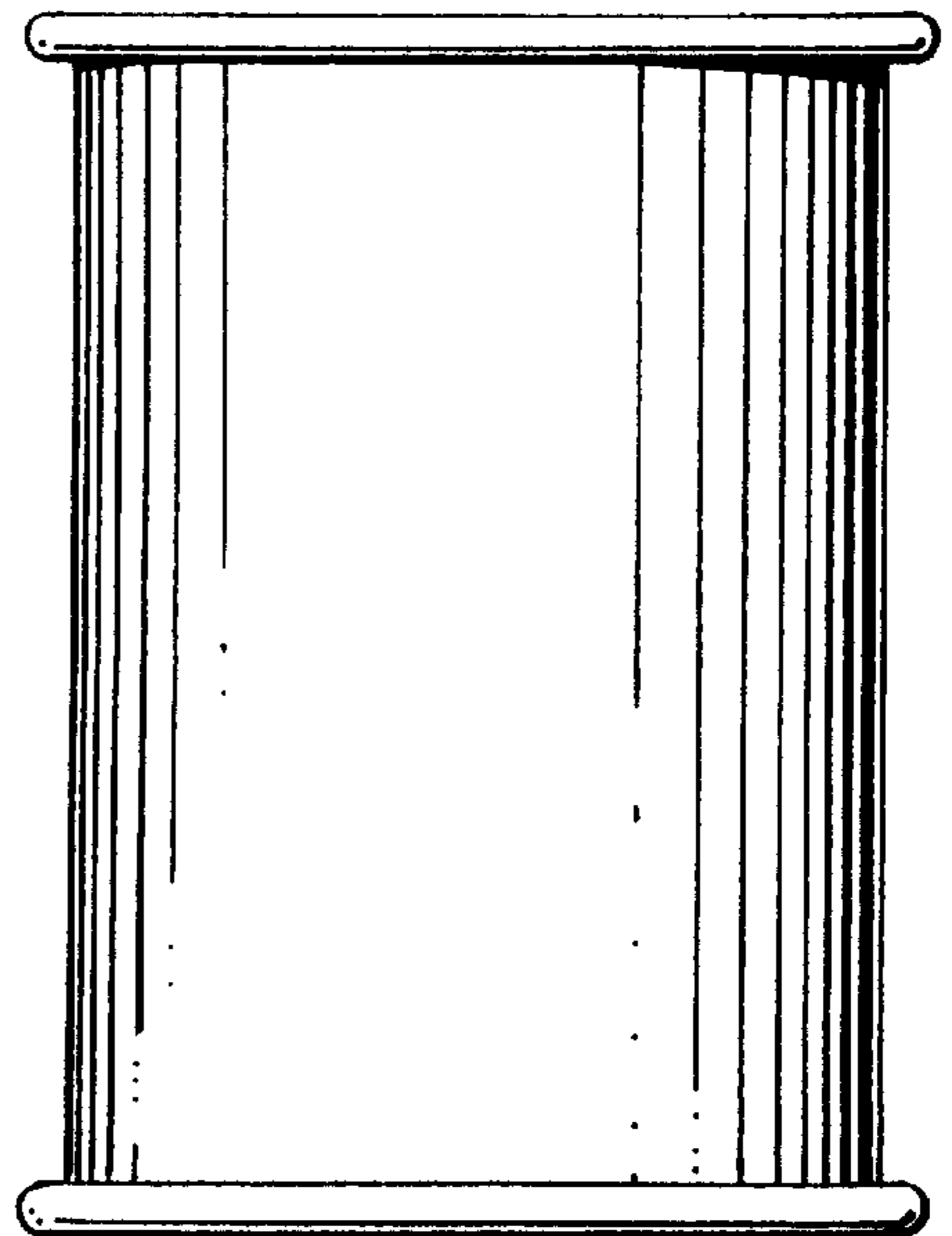
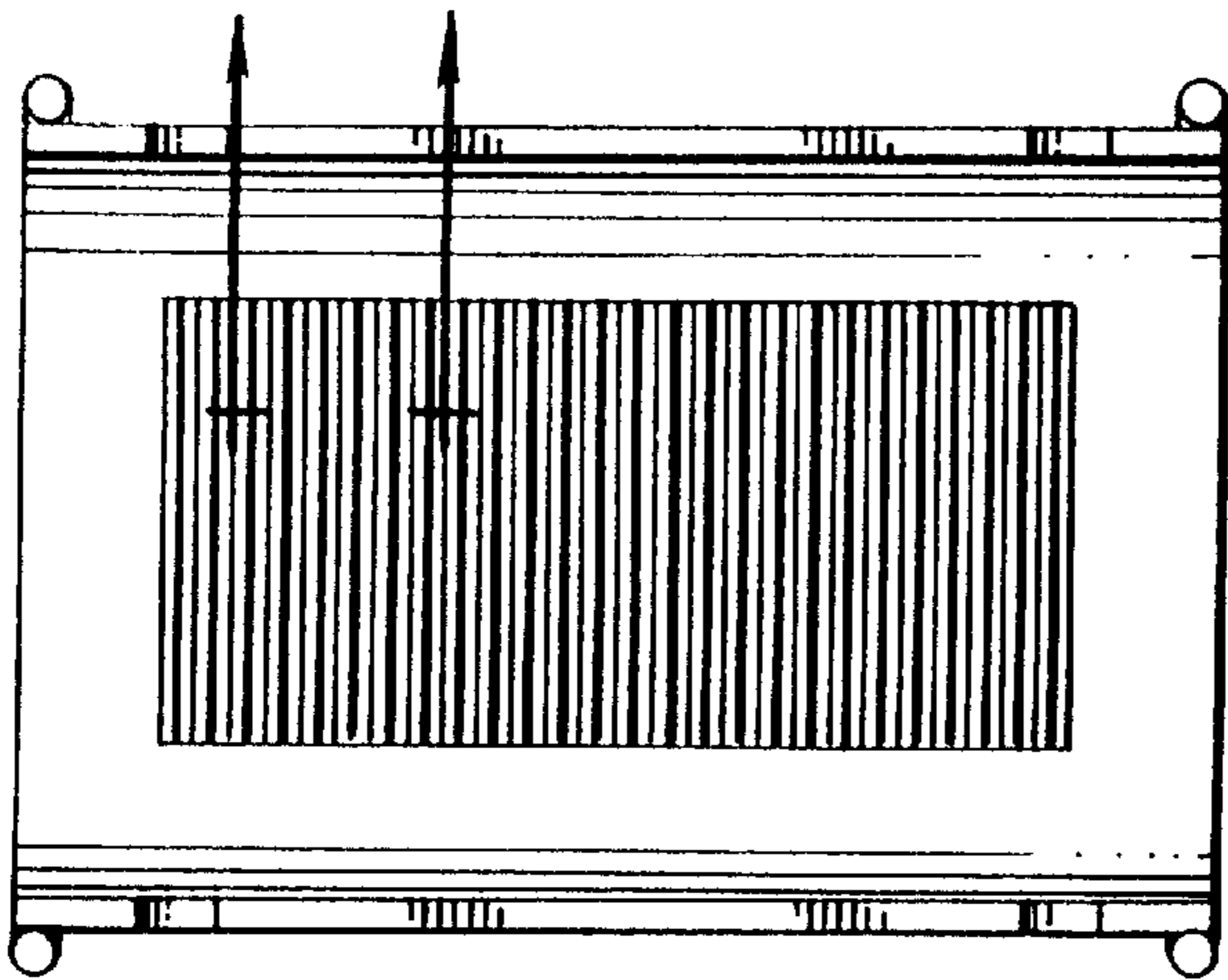


FIG. 4