

US00D462884S

(12) **United States Design Patent**
Oh

(10) **Patent No.:** **US D462,884 S**

(45) **Date of Patent:** **** Sep. 17, 2002**

(54) **HAND CARRY AIR TACKER**

(76) **Inventor:** **Wang Keaun Oh**, 302 Shin Chunghwa
villa 535-241 Suyu 6th Dong,
Kangbuk-gu, Seoul (KR)

(**) **Term:** **14 Years**

(21) **Appl. No.:** **29/124,524**

(22) **Filed:** **Jun. 7, 2000**

(30) **Foreign Application Priority Data**

Apr. 20, 2000 (KR) 00-10199

(51) **LOC (7) Cl.** **08-02**

(52) **U.S. Cl.** **D8/69**

(58) **Field of Search** D8/61, 62, 63,
D8/64, 65, 66, 67, 68, 69, 70; 30/123.3;
81/54, 57.11, 57.42; 173/48, 109, 170;
227/2, 8, 10, 111, 112, 113, 114, 115, 116,
120, 123, 130, 131, 136, 142, 151; 451/451,
356

(56) **References Cited**

U.S. PATENT DOCUMENTS

3,612,378 A	*	10/1971	Pabich	227/120
3,708,097 A	*	1/1973	Fisher	227/136
D316,022 S	*	4/1991	Moraht	D8/68
D338,818 S	*	8/1993	Katsuba	D8/69
D377,590 S	*	1/1997	Lai	D8/68
5,626,274 A	*	5/1997	Shkolnikov et al.	227/136
5,634,582 A	*	6/1997	Morrison, Jr. et al.	227/136
5,662,257 A	*	9/1997	Mukoyama et al.	227/8
5,676,300 A	*	10/1997	Nakazato et al.	227/130
D387,259 S	*	12/1997	Braddock et al.	D8/69

5,720,422 A	*	2/1998	Ichikawa	227/120
5,803,338 A	*	9/1998	Singer et al.	227/130
5,839,638 A	*	11/1998	Ronn	227/142
D403,938 S	*	1/1999	Matsuoka et al.	D8/68
5,873,509 A	*	2/1999	Liao	227/120
6,036,072 A	*	3/2000	Lee	227/120
6,056,181 A	*	5/2000	Chuang	227/8
6,161,744 A	*	12/2000	Mukoyama et al.	227/8
D435,769 S	*	1/2001	Etter et al.	D8/68
D447,031 S	*	8/2001	Oh	D8/63
6,279,808 B1	*	8/2001	Larsen	227/123

OTHER PUBLICATIONS

Trend-Lines, Reliant 18 Guage Brad Finish Nailer, DD241
and DD243, p. 3, Catalogue 517C.*

* cited by examiner

Primary Examiner—Doris V. Coles

Assistant Examiner—T. Chase Nelson

(74) *Attorney, Agent, or Firm*—Cheryl H. Agris

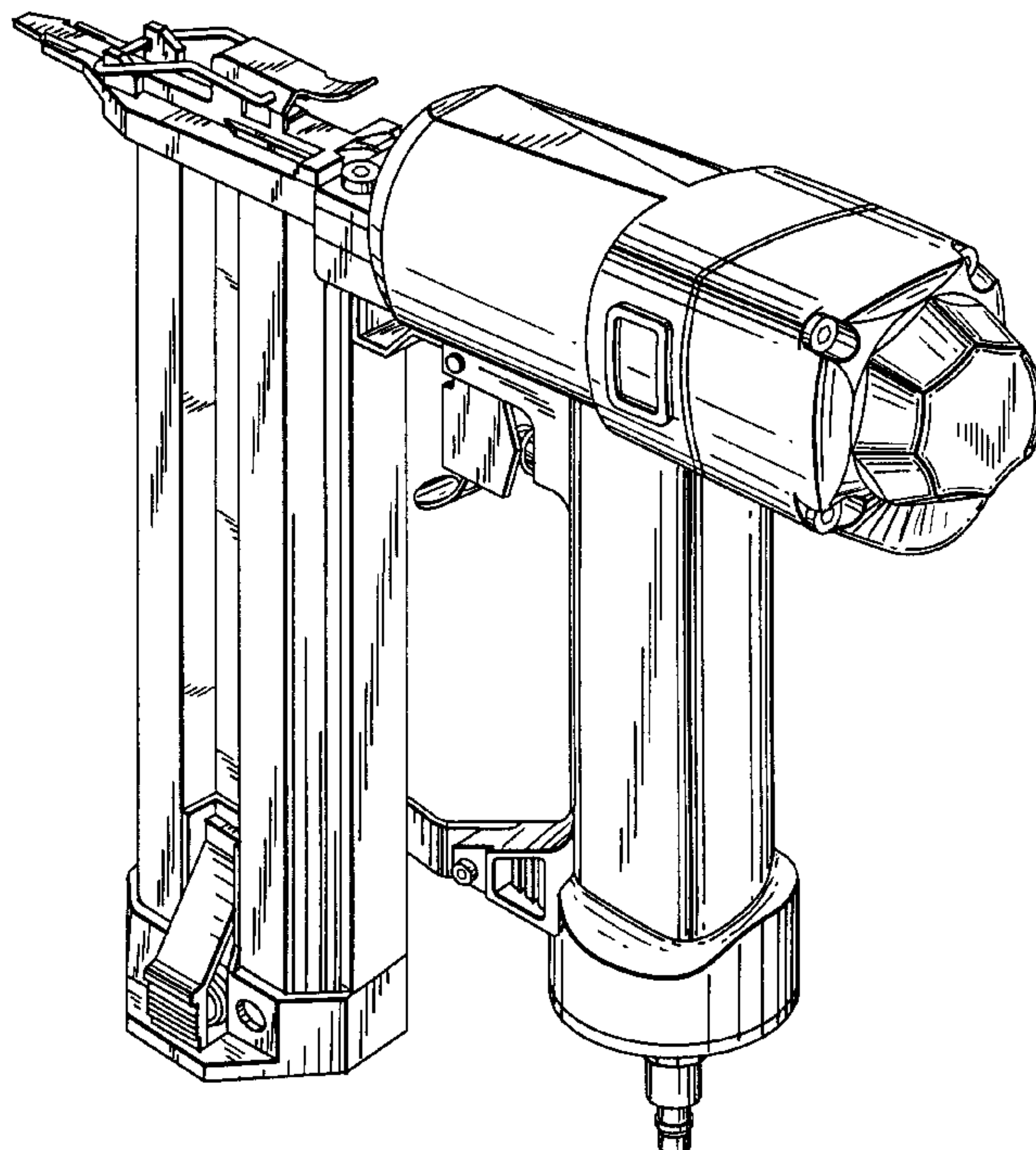
(57) **CLAIM**

The ornamental design for a hand carry air tacker, as shown
and described.

DESCRIPTION

FIG. 1 is a perspective view of the hand carry air tacker.
FIG. 2 is a front view of the above hand carry air tacker.
FIG. 3 is a back view of the above hand carry air tacker.
FIG. 4 is a top view of the above hand carry air tacker.
FIG. 5 is a bottom view of the above hand carry air tacker.
FIG. 6 is a left side view of the above hand carry air tacker;
and,
FIG. 7 is a right side view of the above hand carry air tacker.

1 Claim, 5 Drawing Sheets



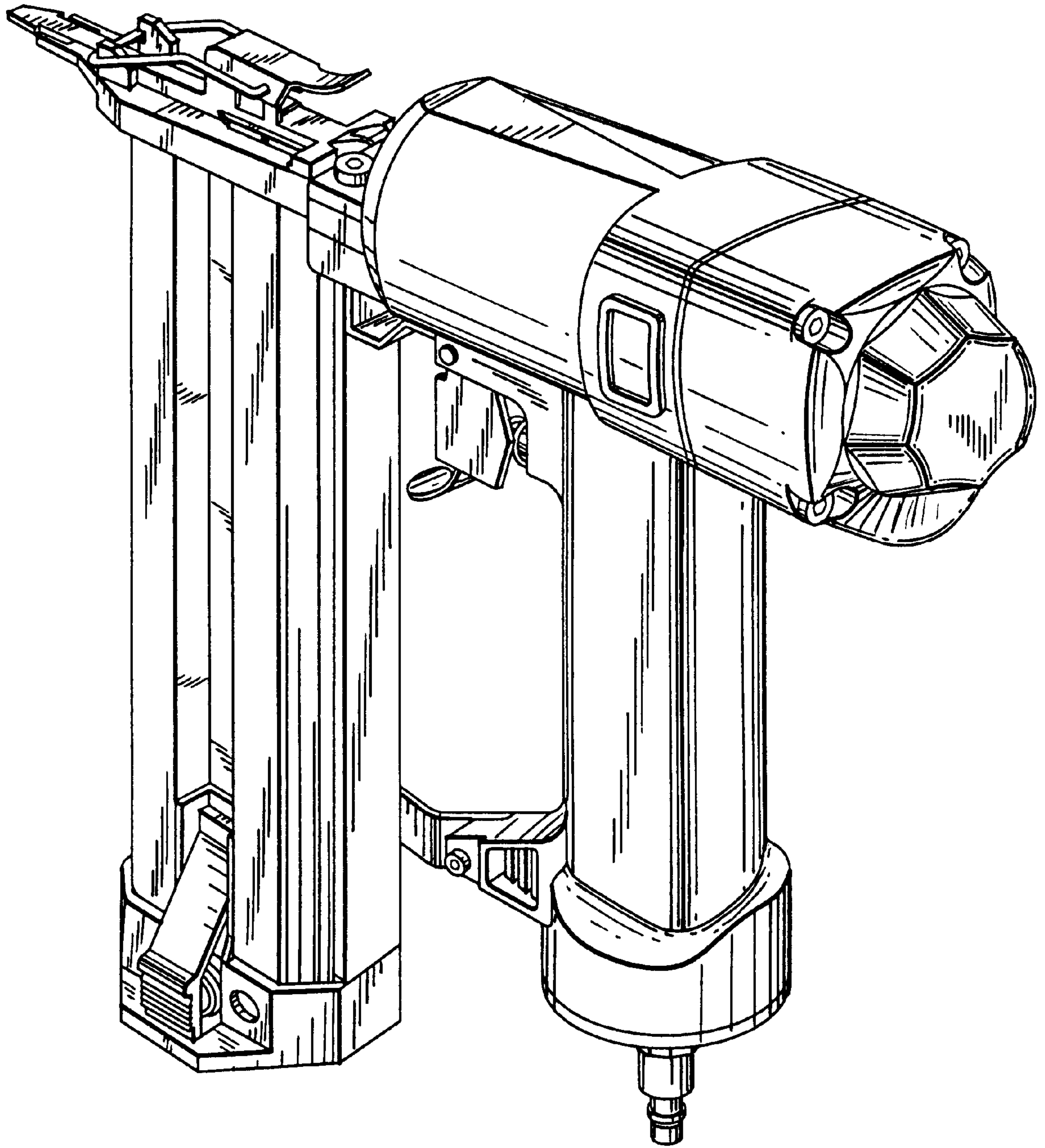


FIG. 1

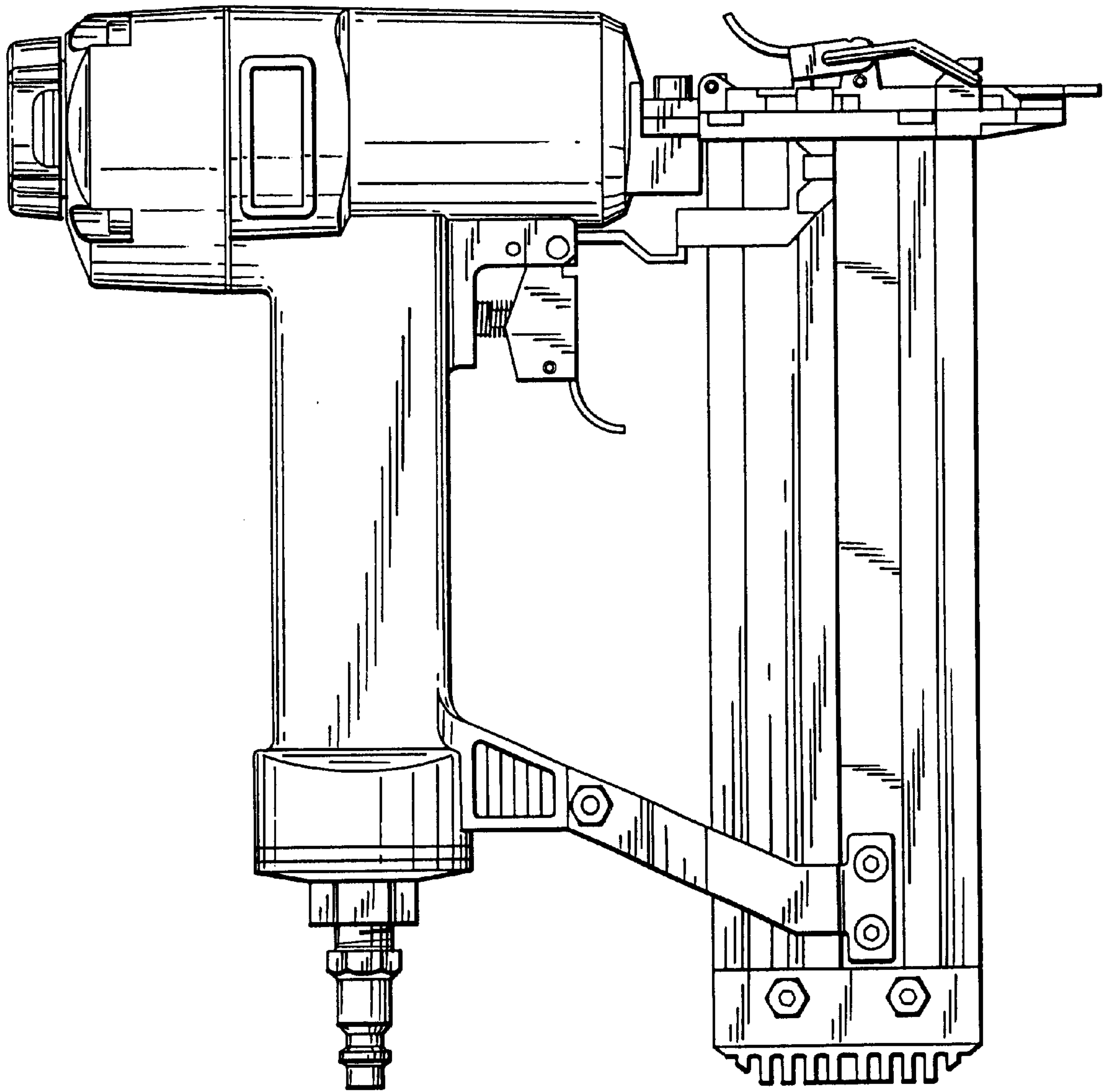


FIG.3

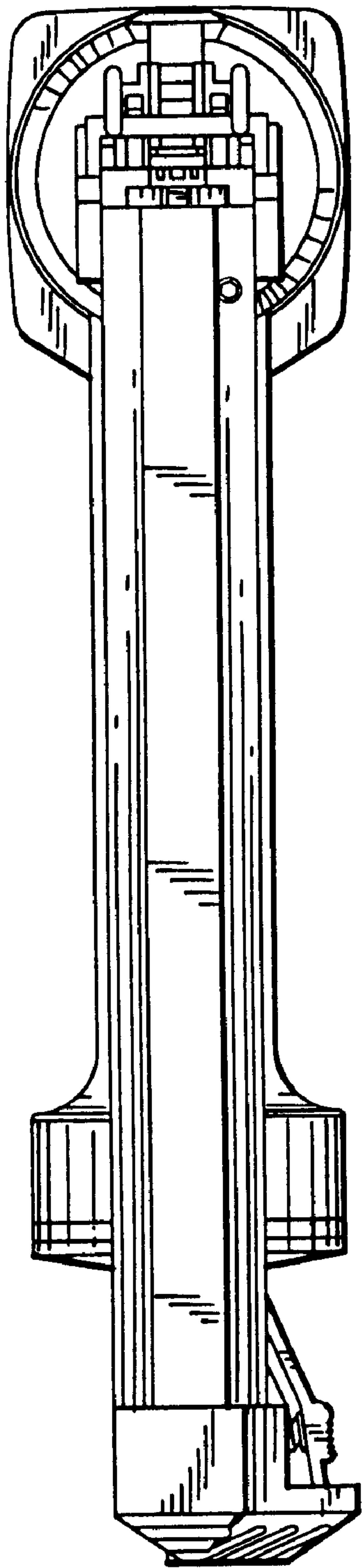


FIG. 4

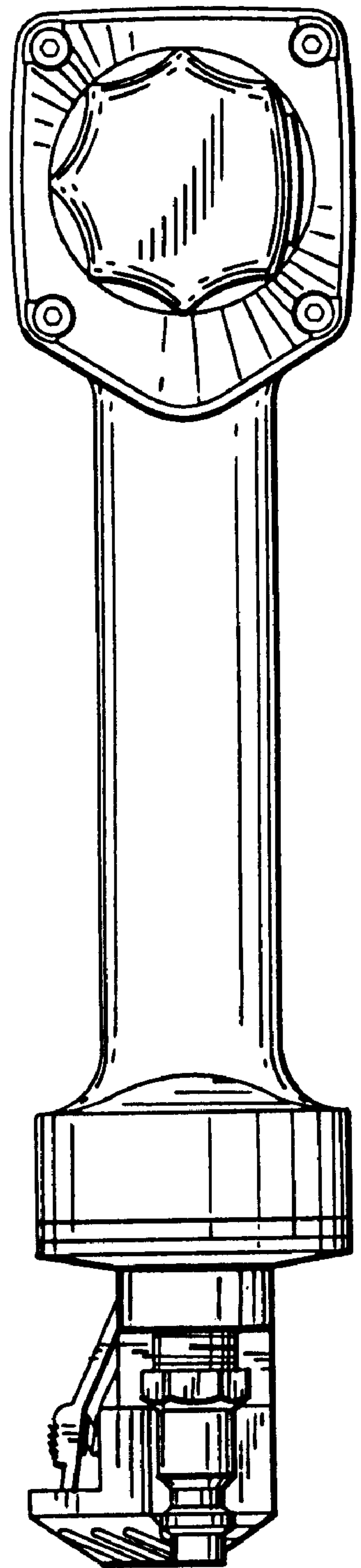


FIG. 5

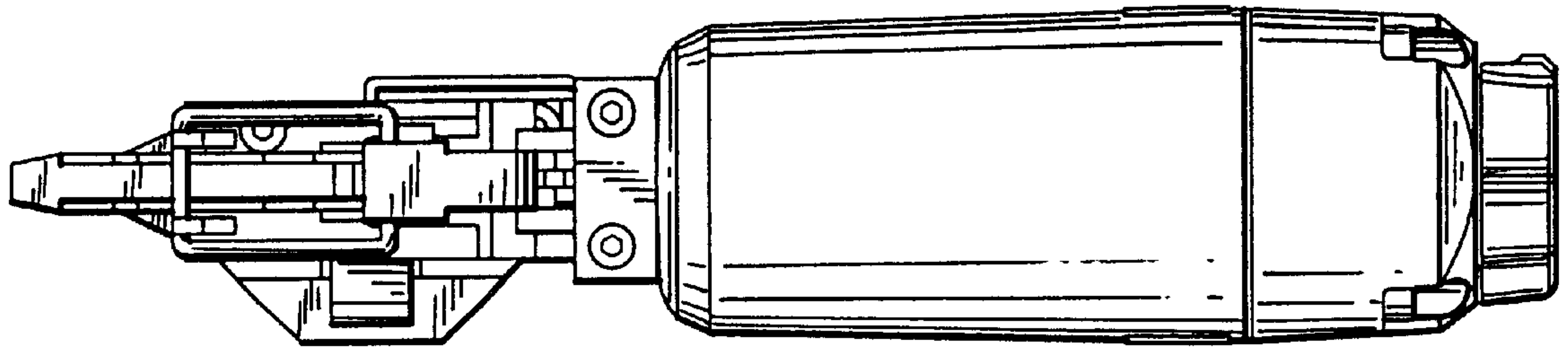


FIG. 6

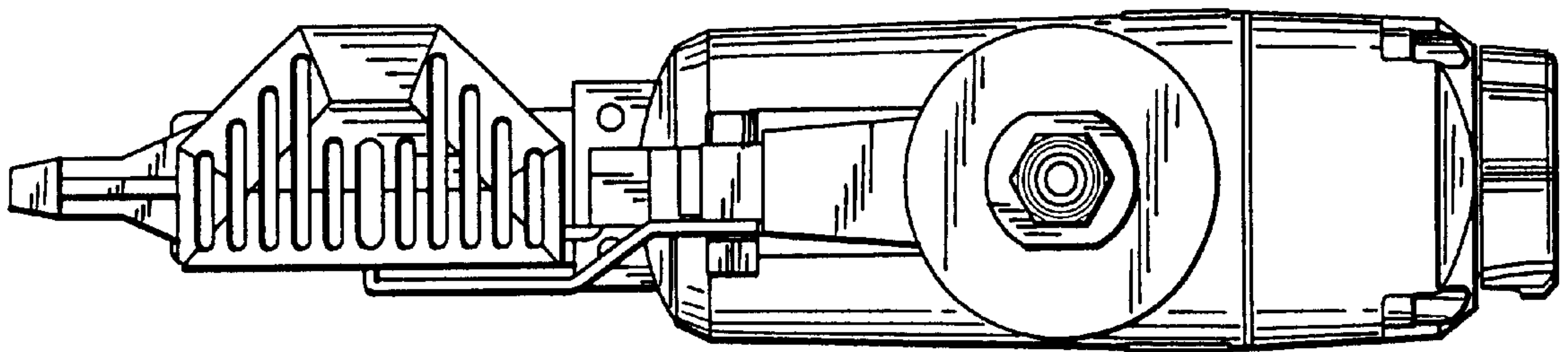


FIG. 7