



US00D462883S

(12) **United States Design Patent**  
**Steiner et al.**

(10) **Patent No.: US D462,883 S**

(45) **Date of Patent: \*\* Sep. 17, 2002**

(54) **RIVET SETTING TOOL**

(75) Inventors: **Mark T. Steiner**, Greenwich, CT (US);  
**Claudio Santiago Ribeiro**, Evanston,  
IL (US)

(73) Assignee: **Emhart LLC**, Newark, DE (US)

(\*\*) Term: **14 Years**

(21) Appl. No.: **29/137,184**

(22) Filed: **Feb. 14, 2001**

(51) **LOC (7) Cl. .... 08-05**

(52) **U.S. Cl. .... D8/68**

(58) **Field of Search** ..... D8/61, 62, 63,  
D8/64, 65, 66, 67, 68, 69, 70, 107; 29/243.525;  
74/371; 81/52, 54, 55, 57, 57.11, 57.13,  
57.14, 57.42, 57.43, 177.1, 177.4, 177.6,  
177.85, 409, 429, 436, 463, 464, 466, 474,  
900, 901, DIG. 12; 173/13, 15, 47, 48,  
90, 91, 92, 93, 93.5, 93.6, 109, 112, 122,  
164, 169, 170, 171, 176, 213, 216, 217;  
227/51, 81, 138; 279/9.1, 19.3, 62, 137,  
142, 147, 149, 158; 310/50; 320/114; 408/20,  
120, 122, 124, 125, 234, 241 R, 241 S;  
451/344, 354, 357, 358, 359, 456

(56) **References Cited**

**U.S. PATENT DOCUMENTS**

D195,592 S \* 7/1963 Babel ..... D8/68  
D198,230 S \* 5/1964 Babel ..... D8/68  
3,657,915 A 4/1972 Lee  
3,734,207 A \* 5/1973 Fishbein ..... 310/50  
3,783,955 A \* 1/1974 Gill ..... 408/20  
3,949,944 A \* 4/1976 Bent ..... 173/169  
D256,658 S \* 9/1980 Ewig ..... D8/61  
4,275,583 A 6/1981 Gilbert et al.  
4,281,531 A 8/1981 Ehmann et al.  
4,330,093 A \* 5/1982 Chapman, Jr. .... 173/169  
4,454,746 A 6/1984 Schwab  
4,515,005 A 5/1985 Klein  
4,517,820 A 5/1985 Oefinger et al.

D280,071 S \* 8/1985 Oefinger ..... D8/61  
4,546,637 A 10/1985 Elias  
4,612,793 A 9/1986 Klein  
4,754,643 A 7/1988 Weeks, Jr. et al.  
4,770,023 A 9/1988 Schwab  
4,866,972 A 9/1989 Schwab  
4,878,372 A 11/1989 Port et al.  
4,972,985 A 11/1990 Smart et al.  
5,072,501 A 12/1991 Vincenzo  
5,149,230 A \* 9/1992 Nett ..... 408/125  
5,207,697 A \* 5/1993 Carusillo et al. .... 408/234  
5,351,379 A 10/1994 Chu  
5,500,990 A 3/1996 Wihan  
5,694,671 A 12/1997 Frearson et al.  
6,014,801 A 1/2000 Wilcox  
6,125,680 A 10/2000 Bradbury et al.  
6,163,945 A 12/2000 Amano et al.  
6,276,037 B1 \* 8/2001 Solfronk ..... 29/243.525

**OTHER PUBLICATIONS**

USM "POP" rivets, PRG 520A and PRG540, air hydraulic pop riveters, United Shoe Machinery catalogue, p. 8.\*

\* cited by examiner

*Primary Examiner*—Doris V. Coles

*Assistant Examiner*—T. Chase Nelson

(74) *Attorney, Agent, or Firm*—Harness, Dickey & Pierce, P.L.C.

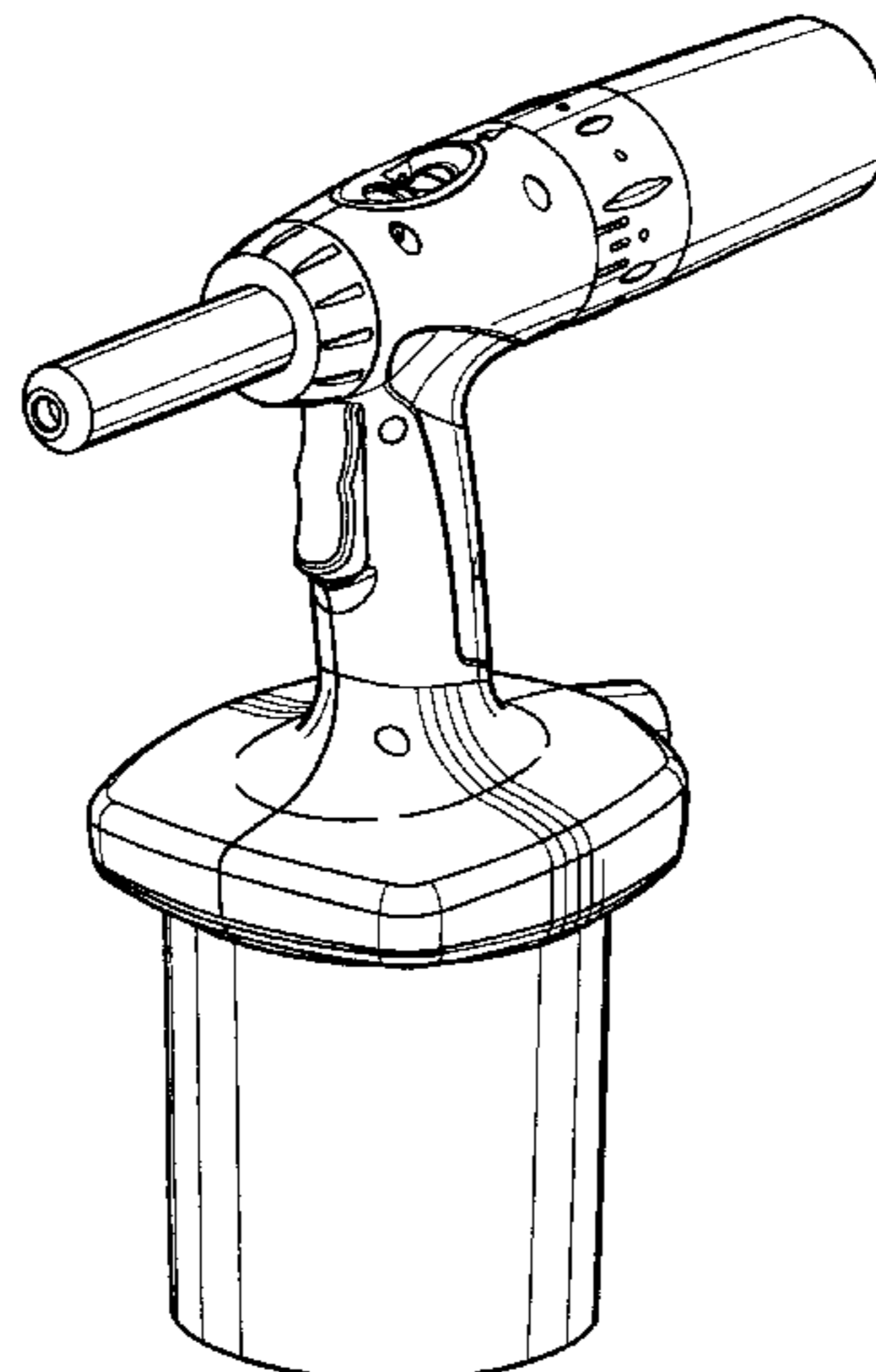
(57) **CLAIM**

The ornamental design for a rivet setting tool, as shown and described.

**DESCRIPTION**

FIG. 1 is a perspective view of a rivet setting tool;  
FIG. 2 is a right side view thereof;  
FIG. 3 is a front view thereof;  
FIG. 4 is a rear view thereof;  
FIG. 5 is a top view thereof;  
FIG. 6 is a left side view thereof; and,  
FIG. 7 is a bottom view thereof.

**1 Claim, 3 Drawing Sheets**



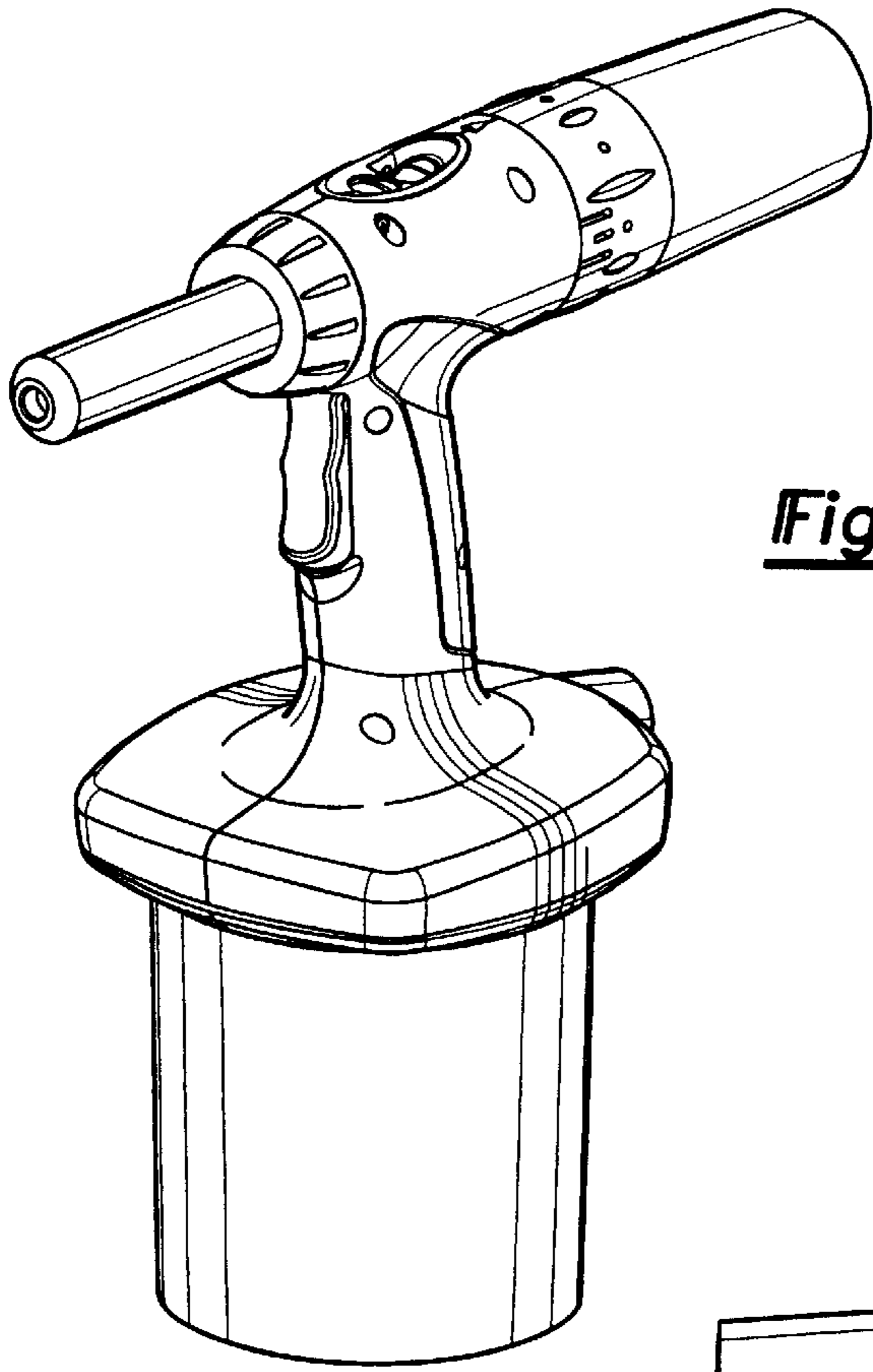


Fig-1

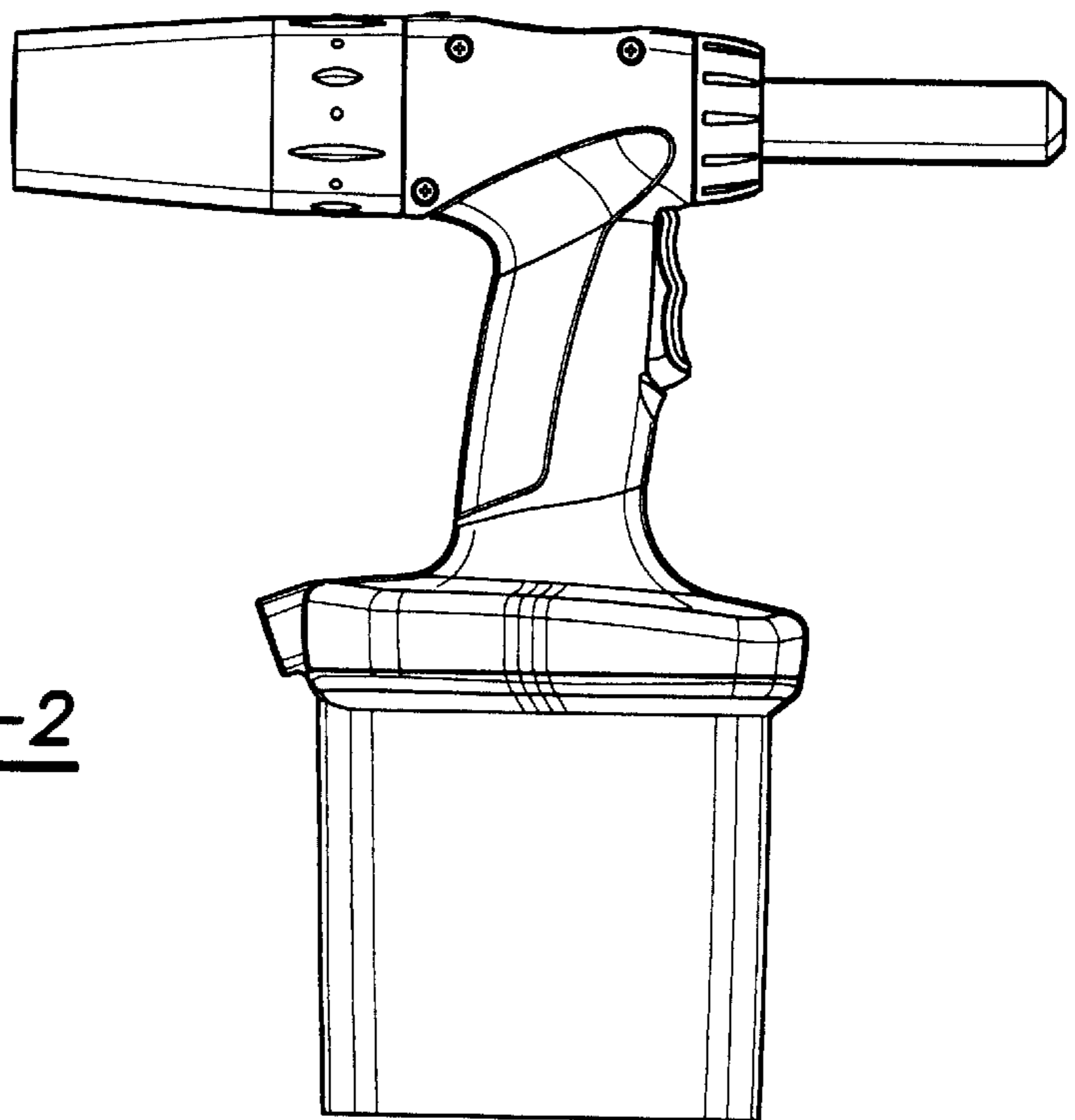


Fig-2

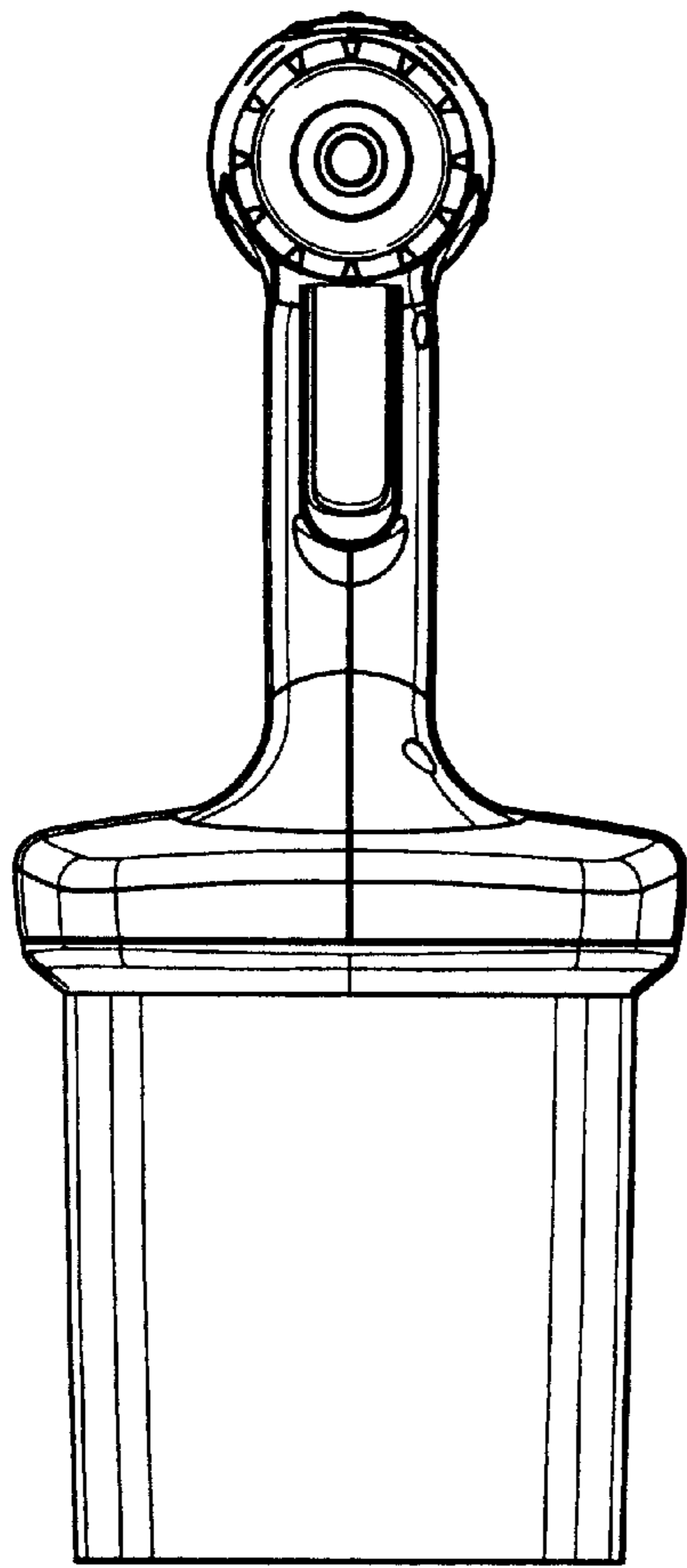


Fig-3

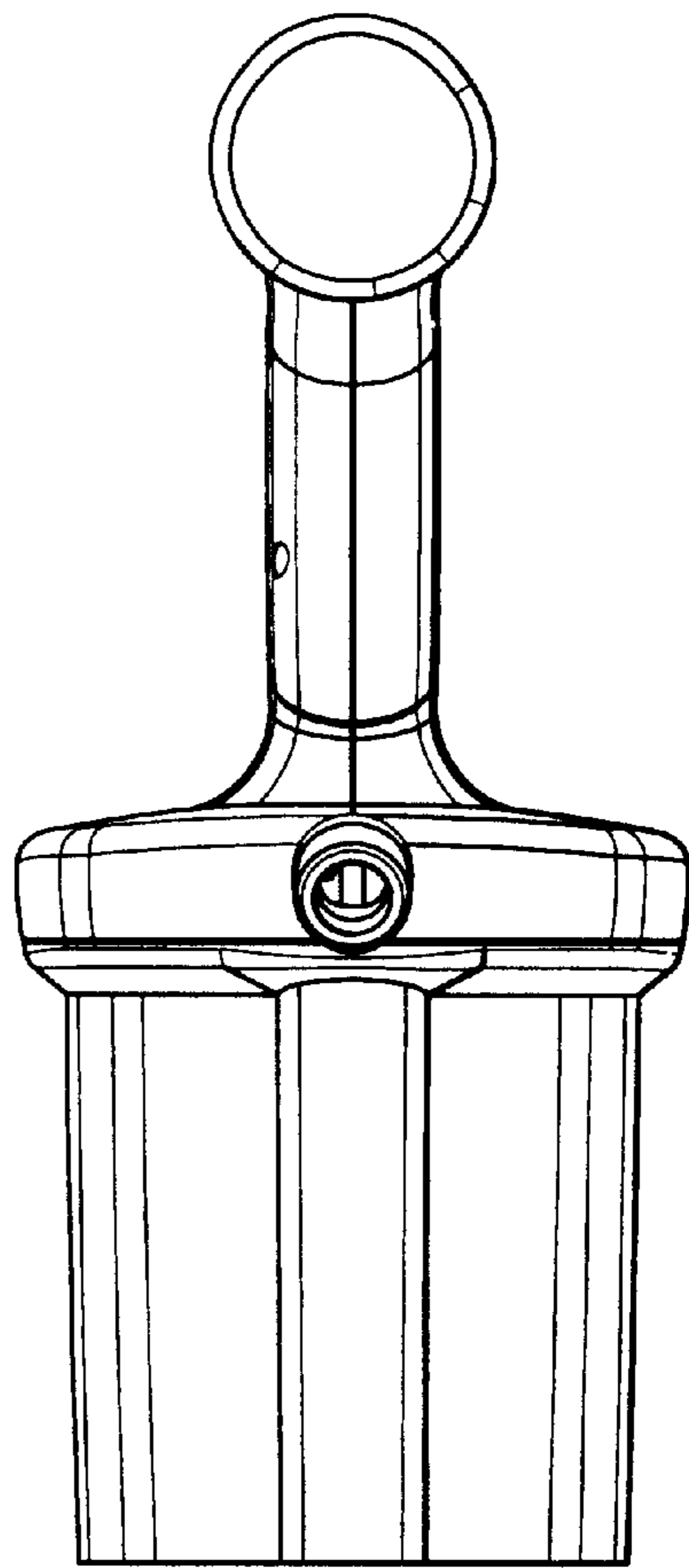


Fig-4

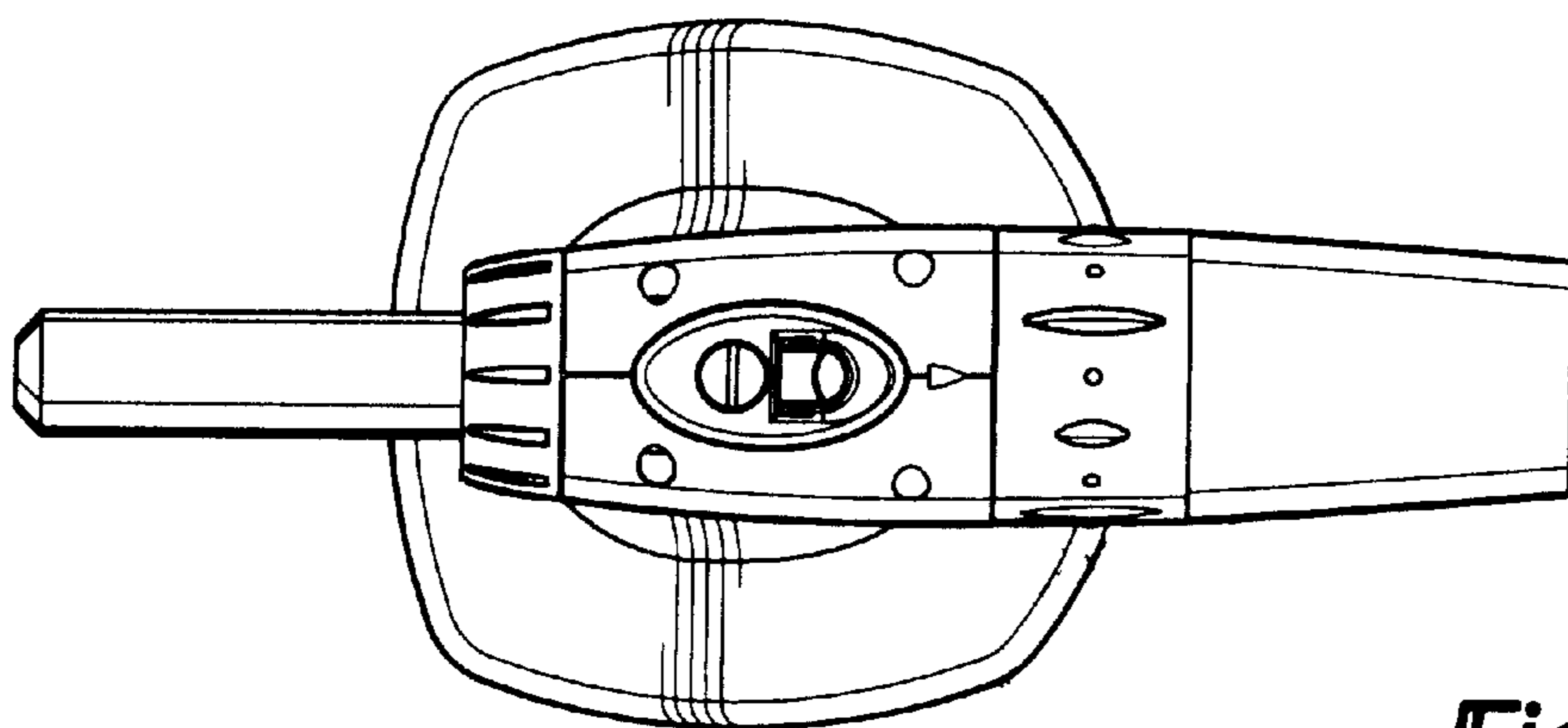


Fig-5

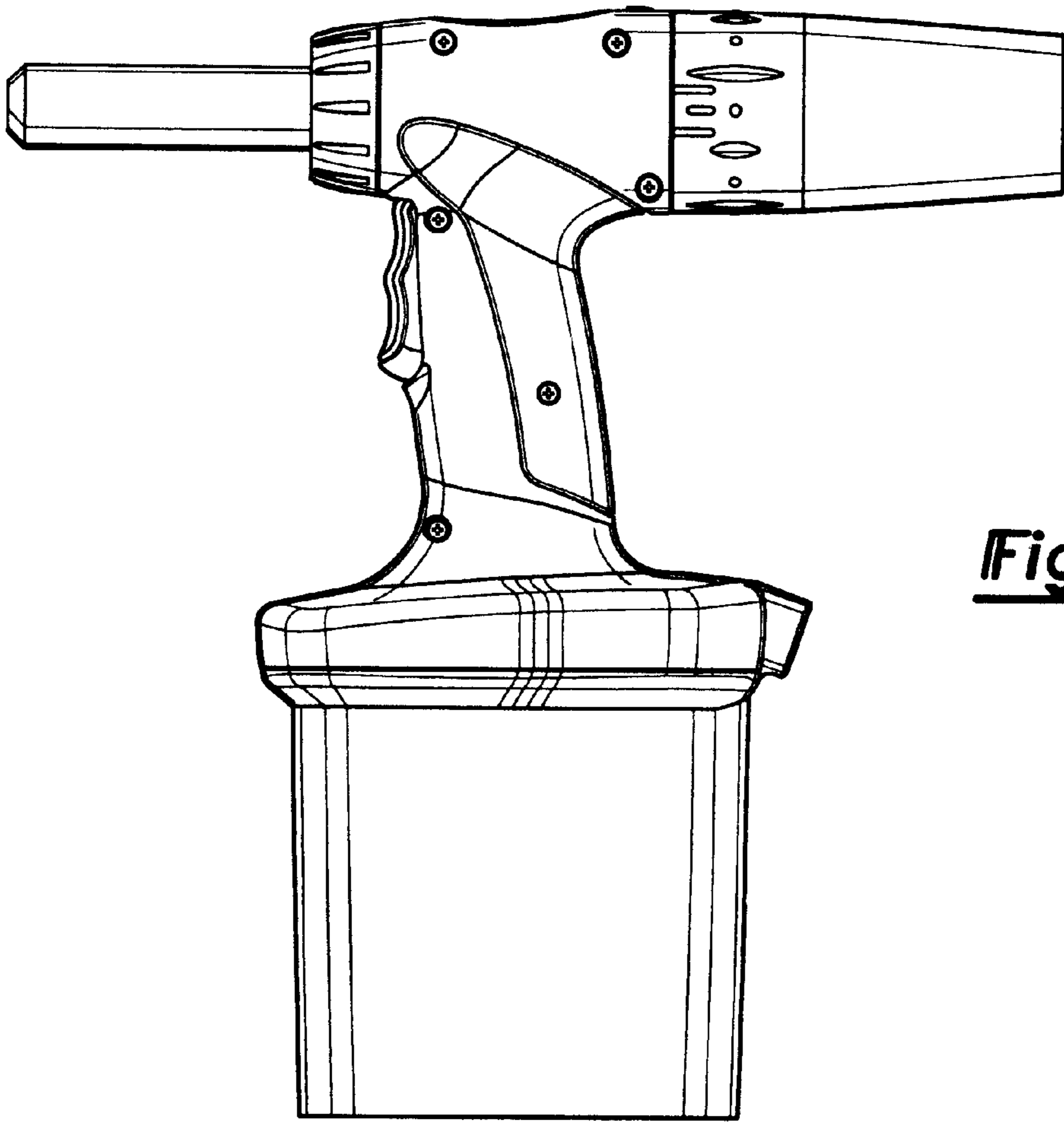


Fig-6

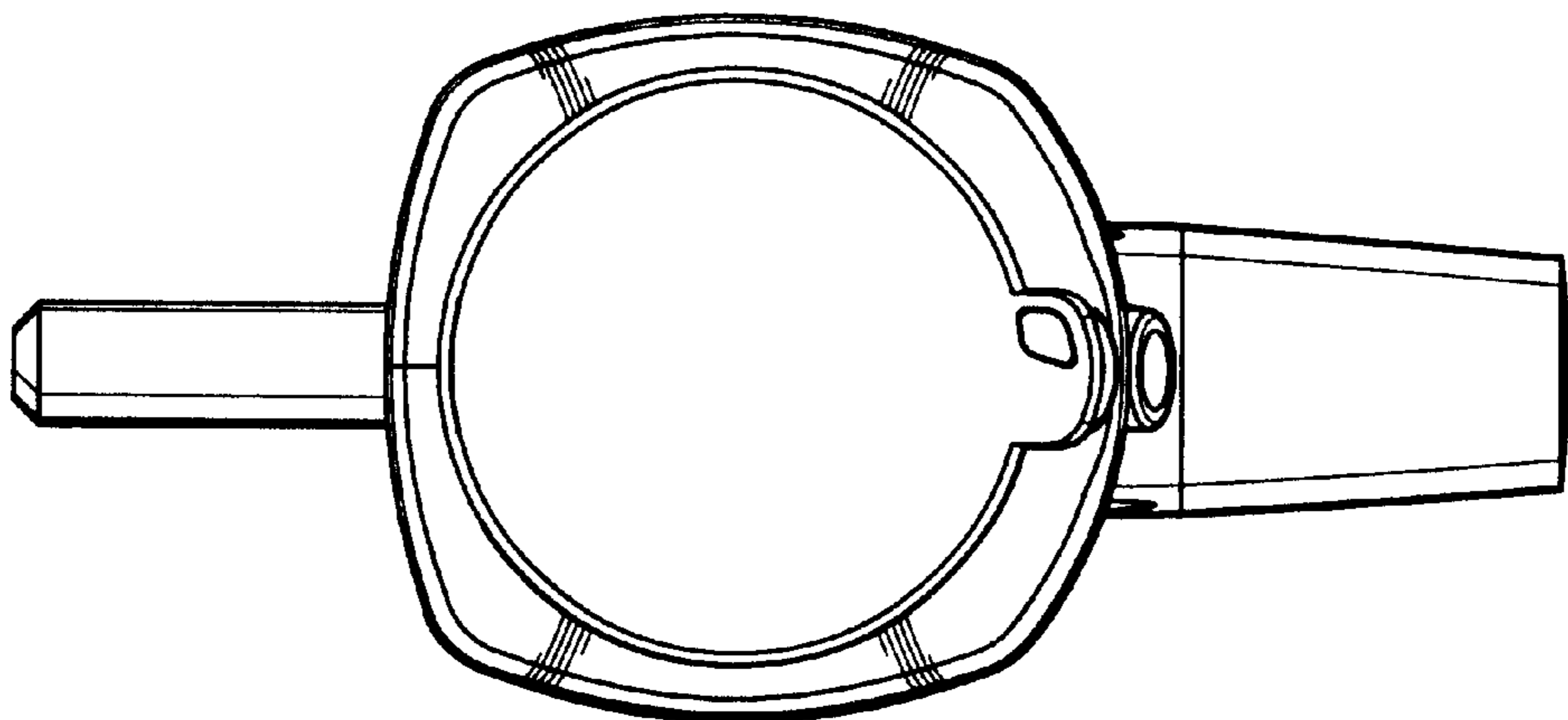


Fig-7