



US00D462880S

(12) **United States Design Patent**  
**Maxwell et al.**

(10) **Patent No.:** **US D462,880 S**

(45) **Date of Patent:** **\*\* Sep. 17, 2002**

(54) **CONTAINER FOR FOOD**

(75) Inventors: **Jason R. Maxwell**, Elgin, IL (US);  
**Lawrence John Racana**, Clarendon Hills, IL (US); **Anand Ramanujam**, Chicago, IL (US)

(73) Assignee: **The Glad Products Company**, Oakland, CA (US)

(\*\*) Term: **14 Years**

(21) Appl. No.: **29/145,694**

(22) Filed: **Jul. 26, 2001**

(51) **LOC (7) Cl.** ..... **07-07**

(52) **U.S. Cl.** ..... **D7/629**

(58) **Field of Search** ..... D7/538-542, 602, D7/629; D9/415, 418, 423-425, 432; 220/281, 662, 675, 780-788, 792-799, 805

(56) **References Cited**

**U.S. PATENT DOCUMENTS**

- 4,412,630 A \* 11/1983 Daenen ..... 220/793 X
- 4,819,824 A \* 4/1989 Longbottom et al. .... 220/783
- D355,814 S \* 2/1995 VanValkenburg et al. .... D7/629
- D388,325 S \* 12/1997 Tucker ..... D7/629
- 5,730,311 A \* 3/1998 Curtis ..... 220/371

\* cited by examiner

*Primary Examiner*—Terry A. Wallace

(74) *Attorney, Agent, or Firm*—Thomas C. Feix

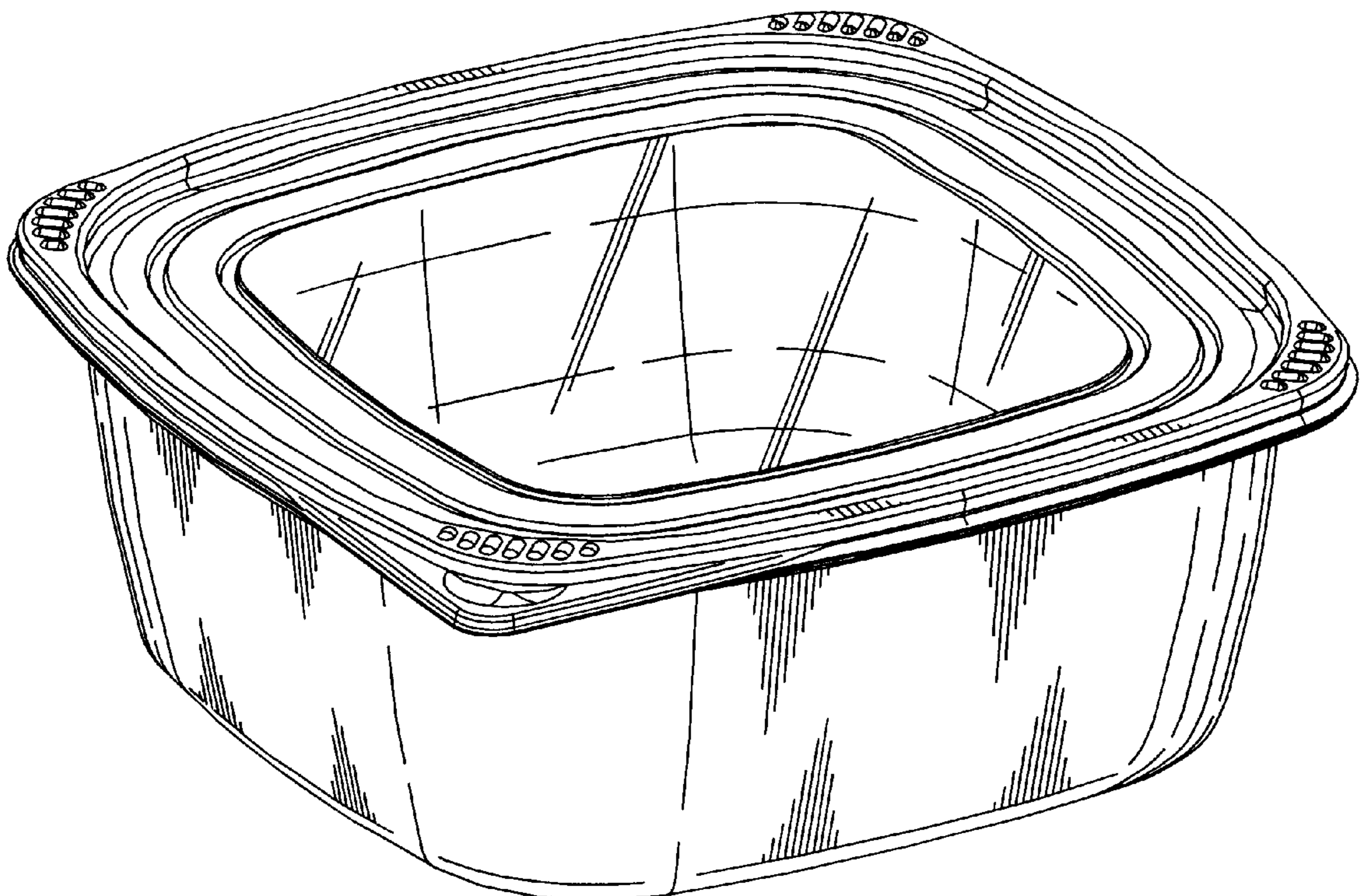
(57) **CLAIM**

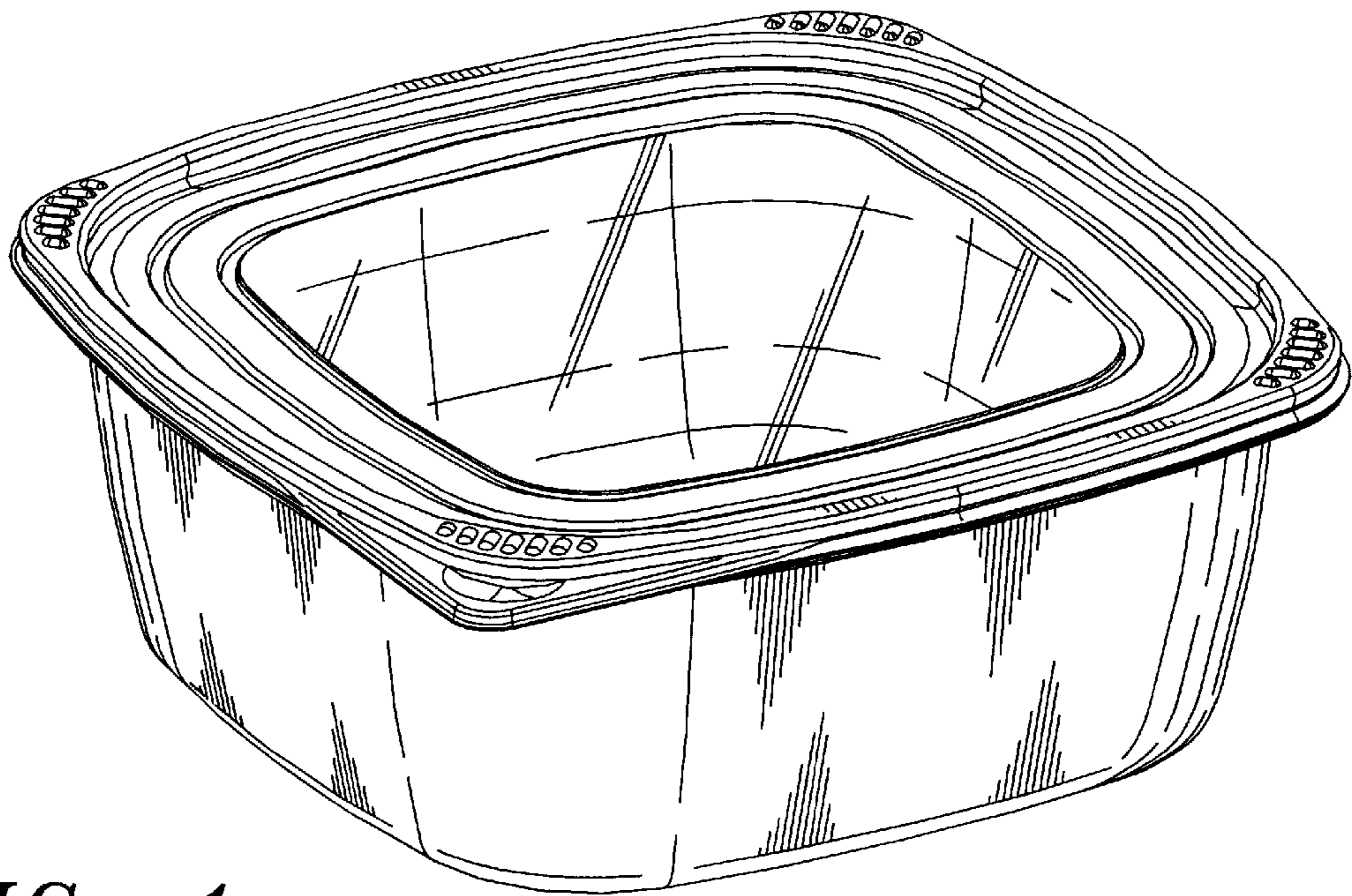
The ornamental design for a container for food, as shown and described.

**DESCRIPTION**

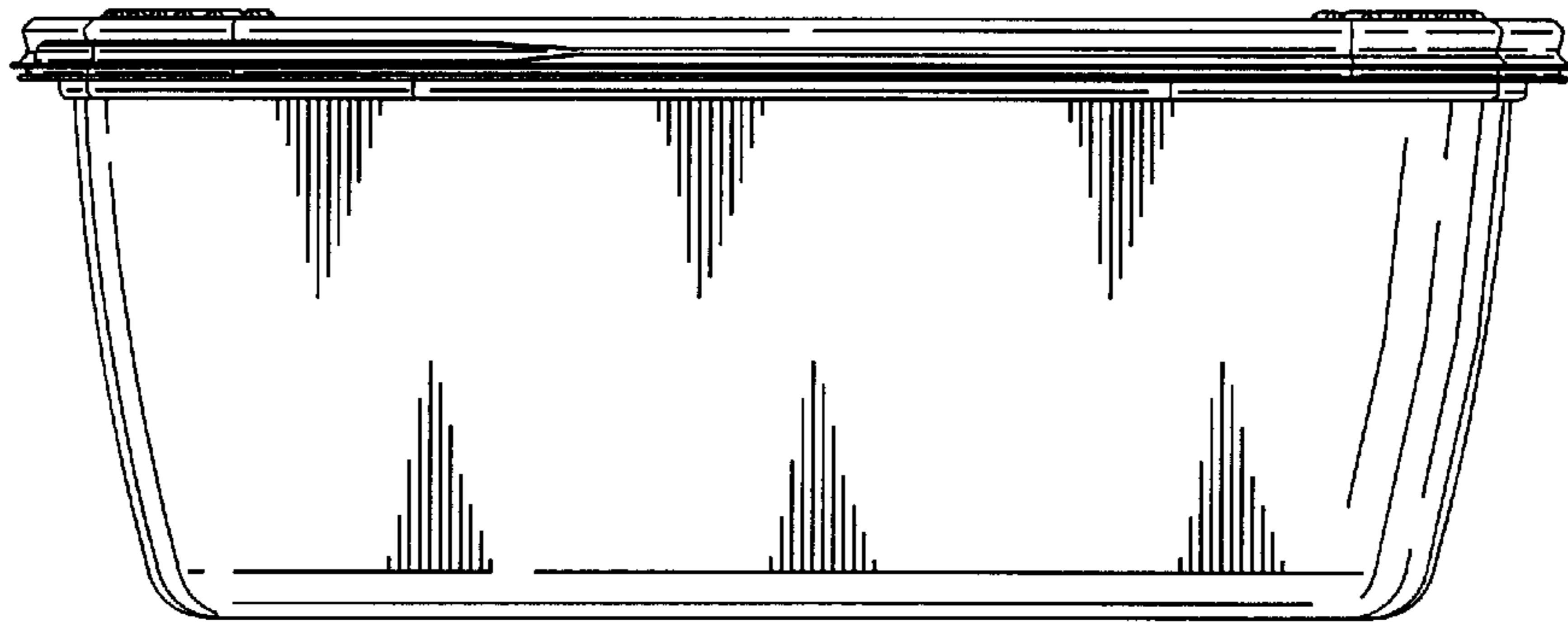
FIG. 1 is a top perspective view of a container for food showing our new design;  
 FIG. 2 is a right side elevational view thereof;  
 FIG. 3 is a front elevational view thereof;  
 FIG. 4 is a rear elevational view thereof;  
 FIG. 5 is a left side elevational view thereof;  
 FIG. 6. is a top plan view thereof;  
 FIG. 7; is a bottom plan view thereof;  
 FIG. 8 is a top perspective view of a container top; shown separately for clarity of illustration;  
 FIG. 9 is a right side elevational view thereof;  
 FIG. 10 is a front elevational view thereof;  
 FIG. 11 is a rear elevational view thereof;  
 FIG. 12 is a left side elevational view thereof;  
 FIG. 13 is a top plan view thereof;  
 FIG. 14 is a bottom plan view thereof;  
 FIG. 15 is a top perspective view of a container bottom; shown separately for clarity of illustration;  
 FIG. 16 is a right side elevational view thereof, the left side elevational view being a mirror image thereof;  
 FIG. 17 is a front elevational view thereof, the rear elevational view being a mirror image thereof;  
 FIG. 18 is a top plan view thereof; and,  
 FIG. 19 is a bottom plan view thereof.

**1 Claim, 7 Drawing Sheets**

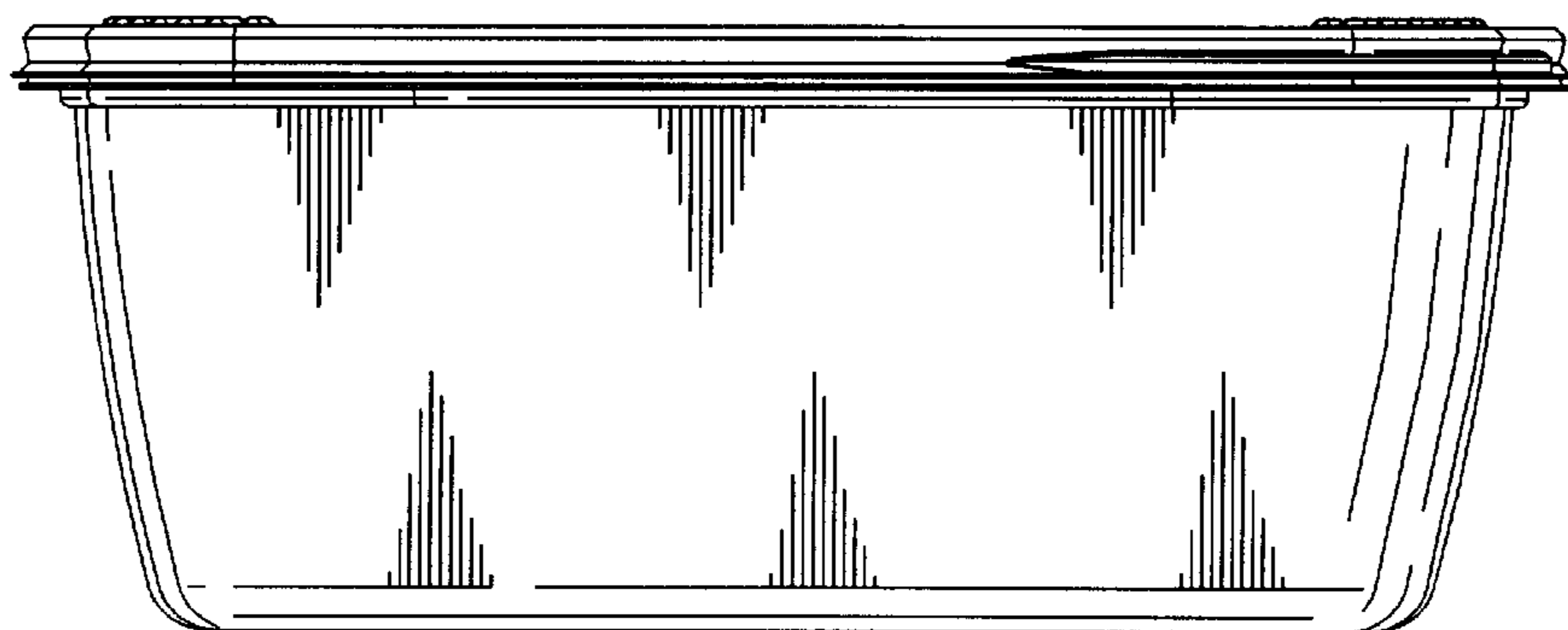




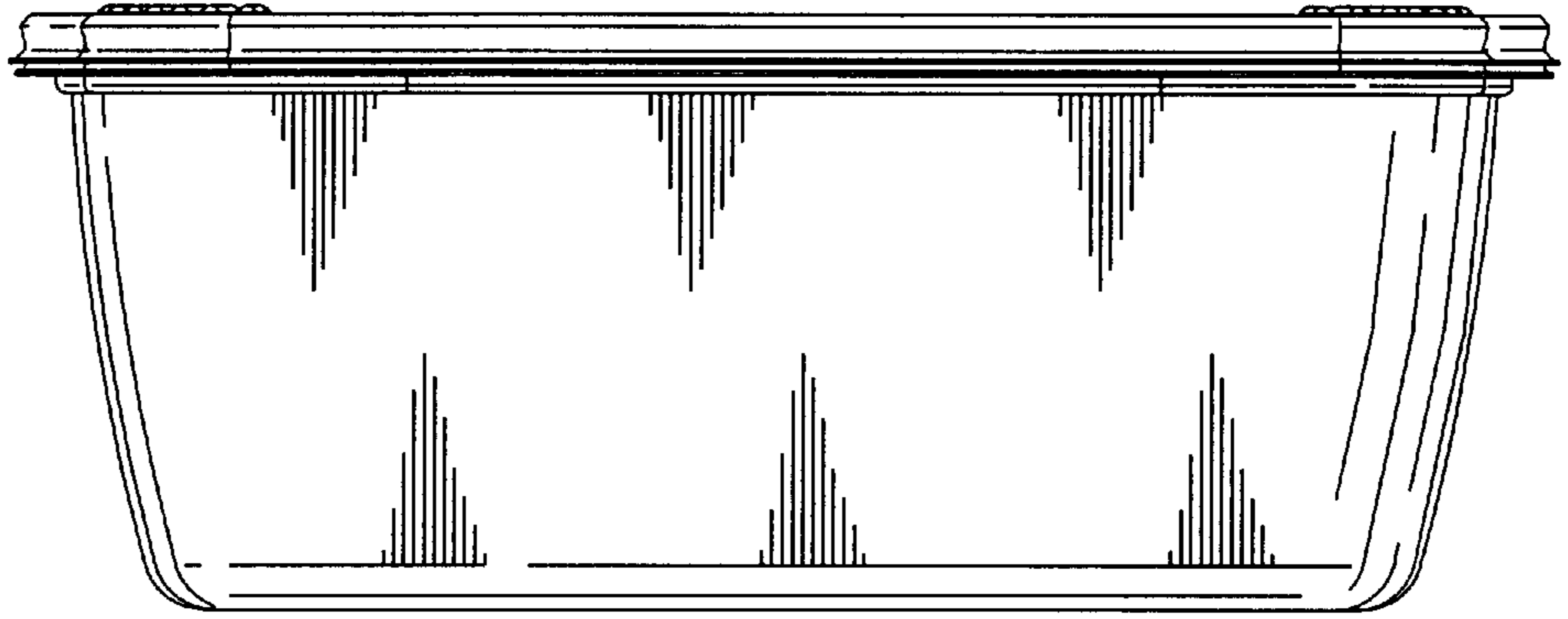
*FIG. -1*



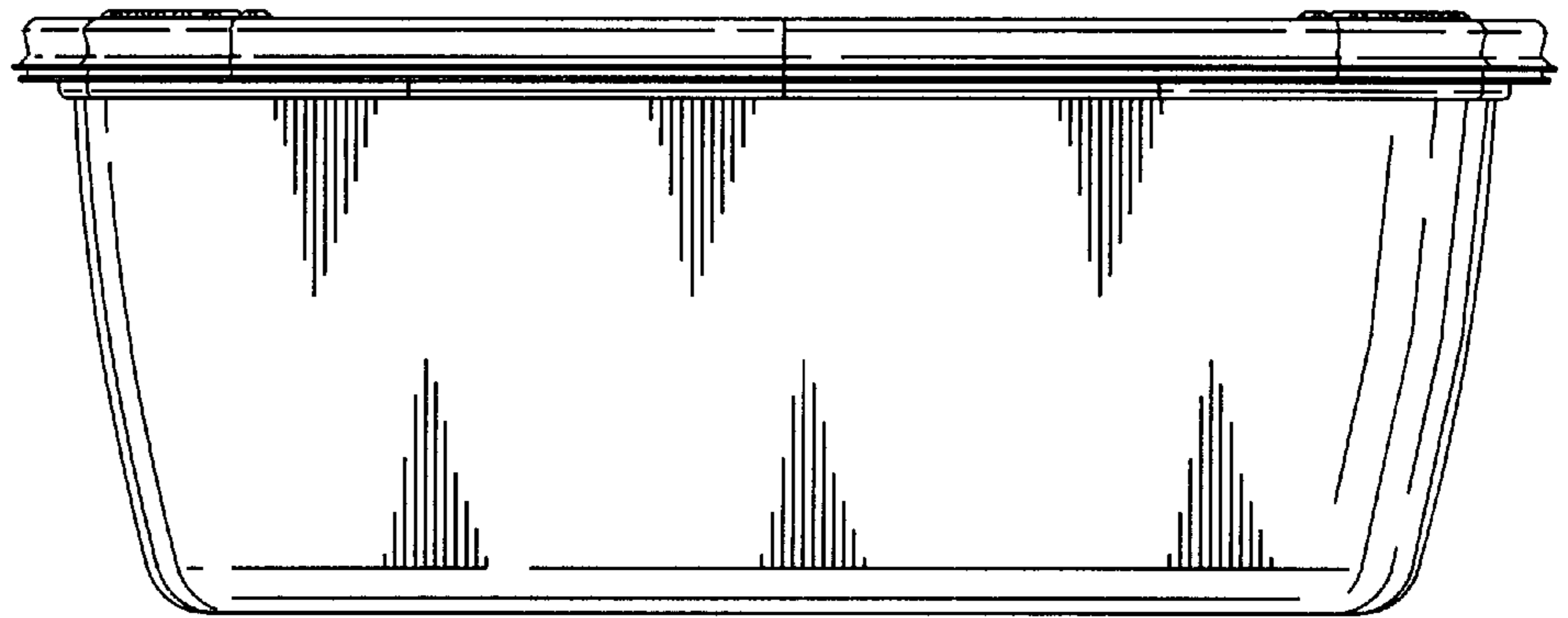
*FIG. -2*



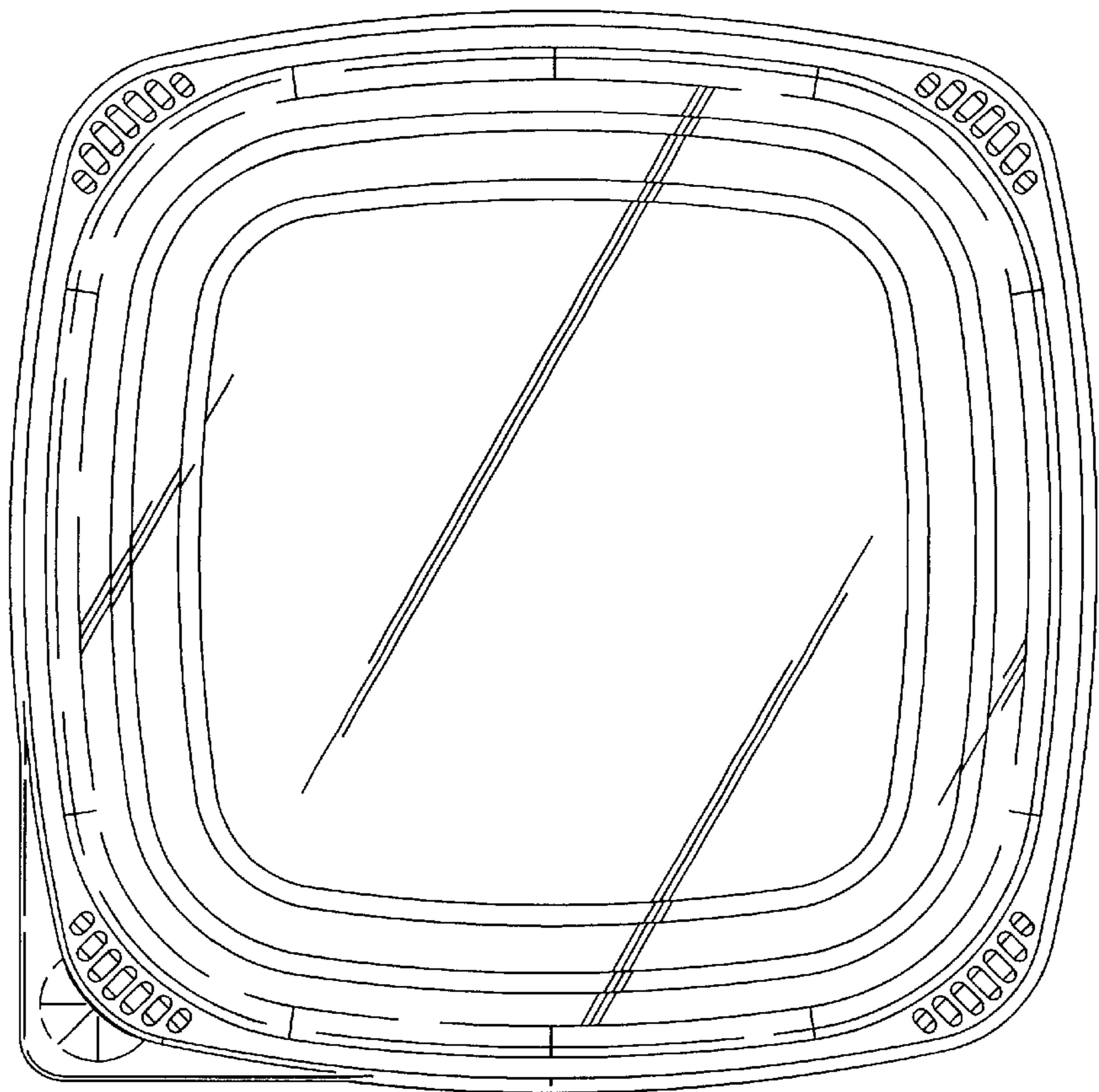
*FIG. -3*



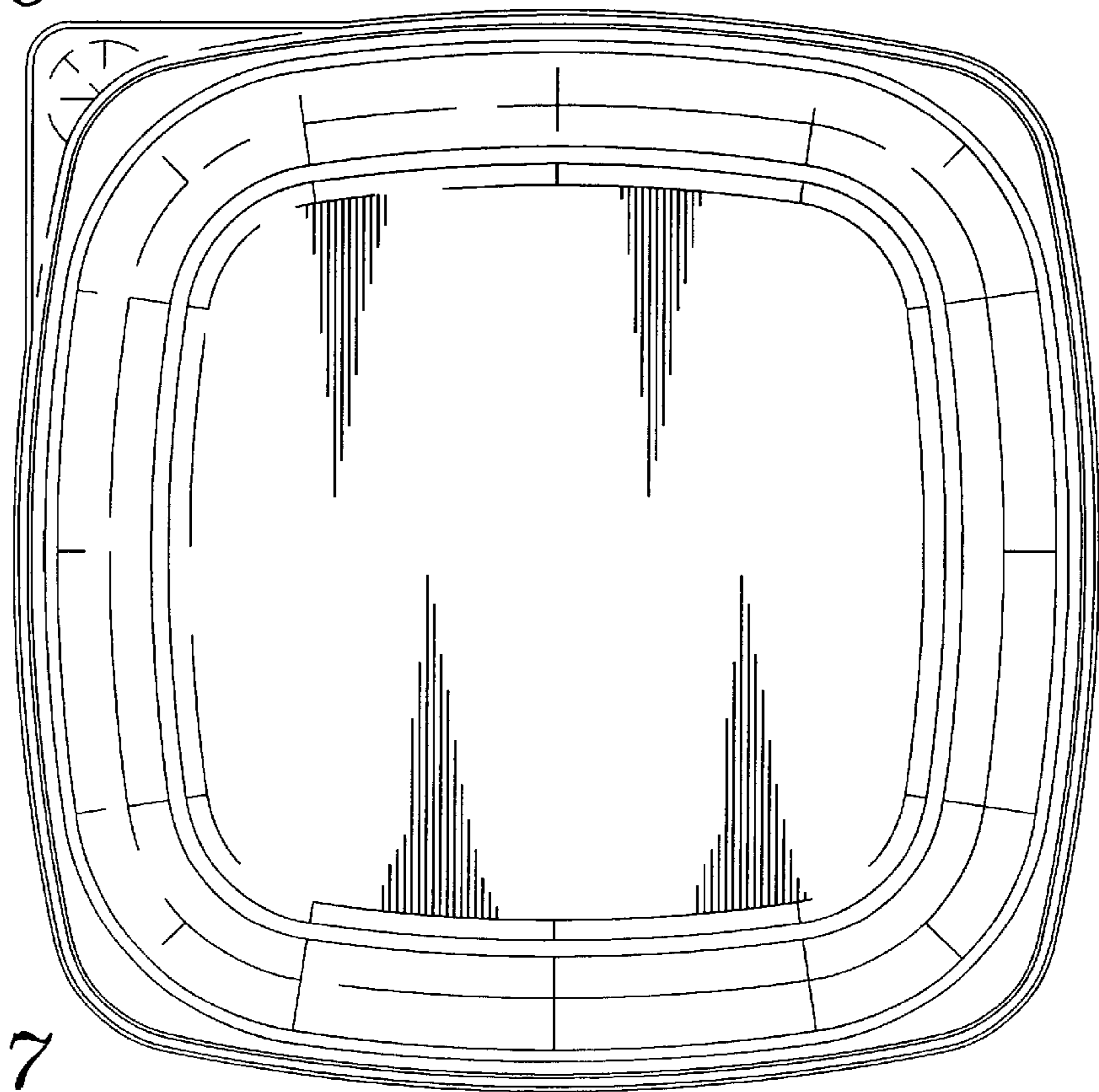
*FIG. -4*



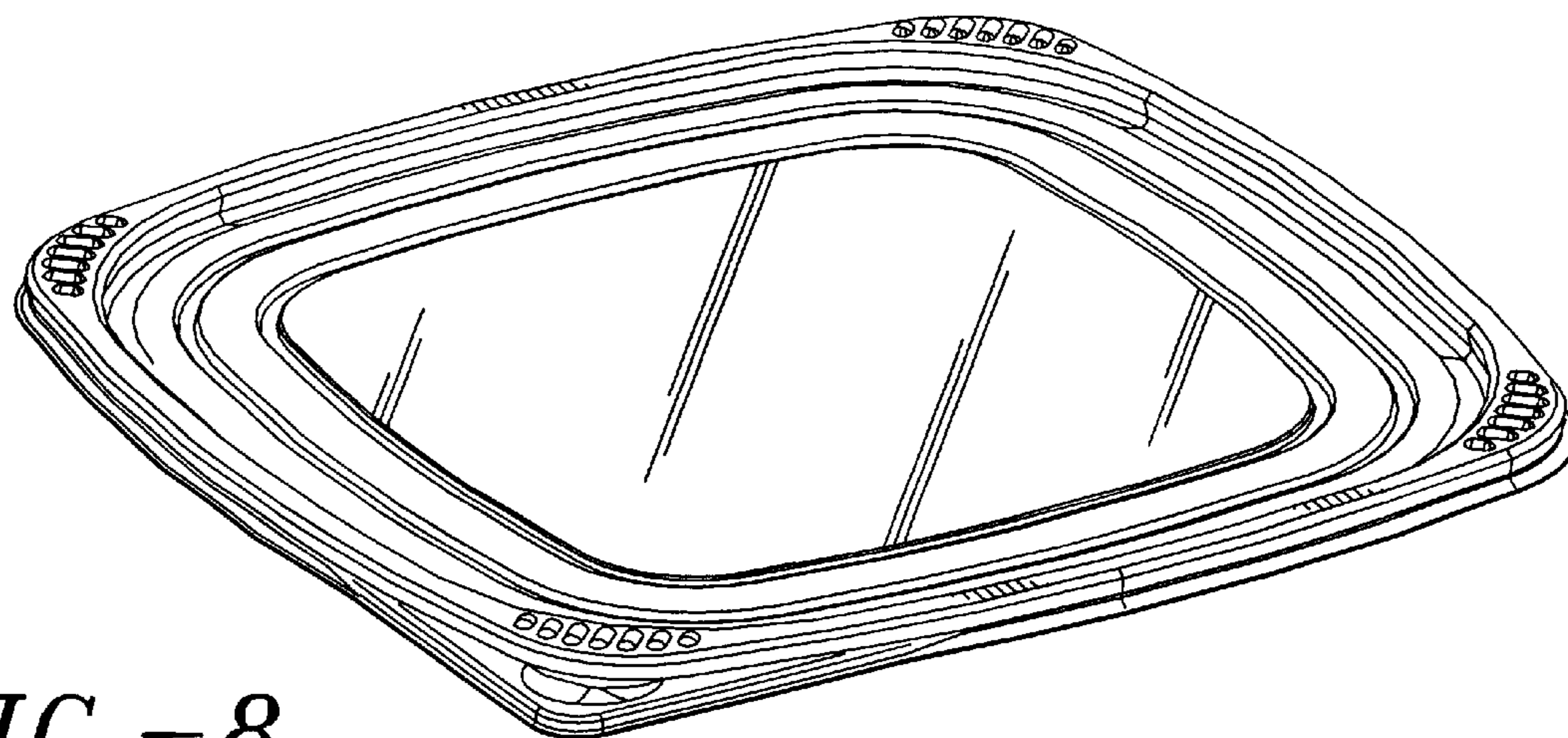
*FIG. -5*



*FIG. - 6*



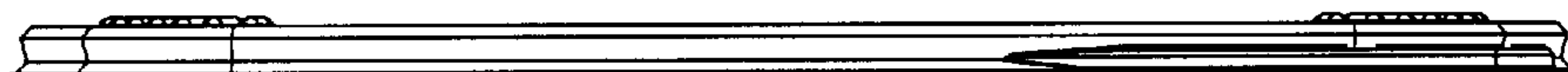
*FIG. - 7*



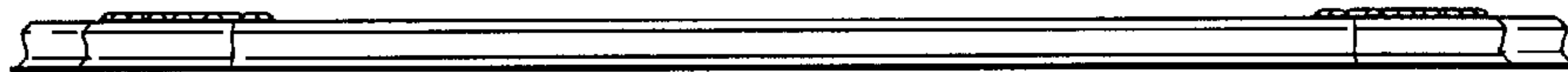
*FIG. -8*



*FIG. -9*



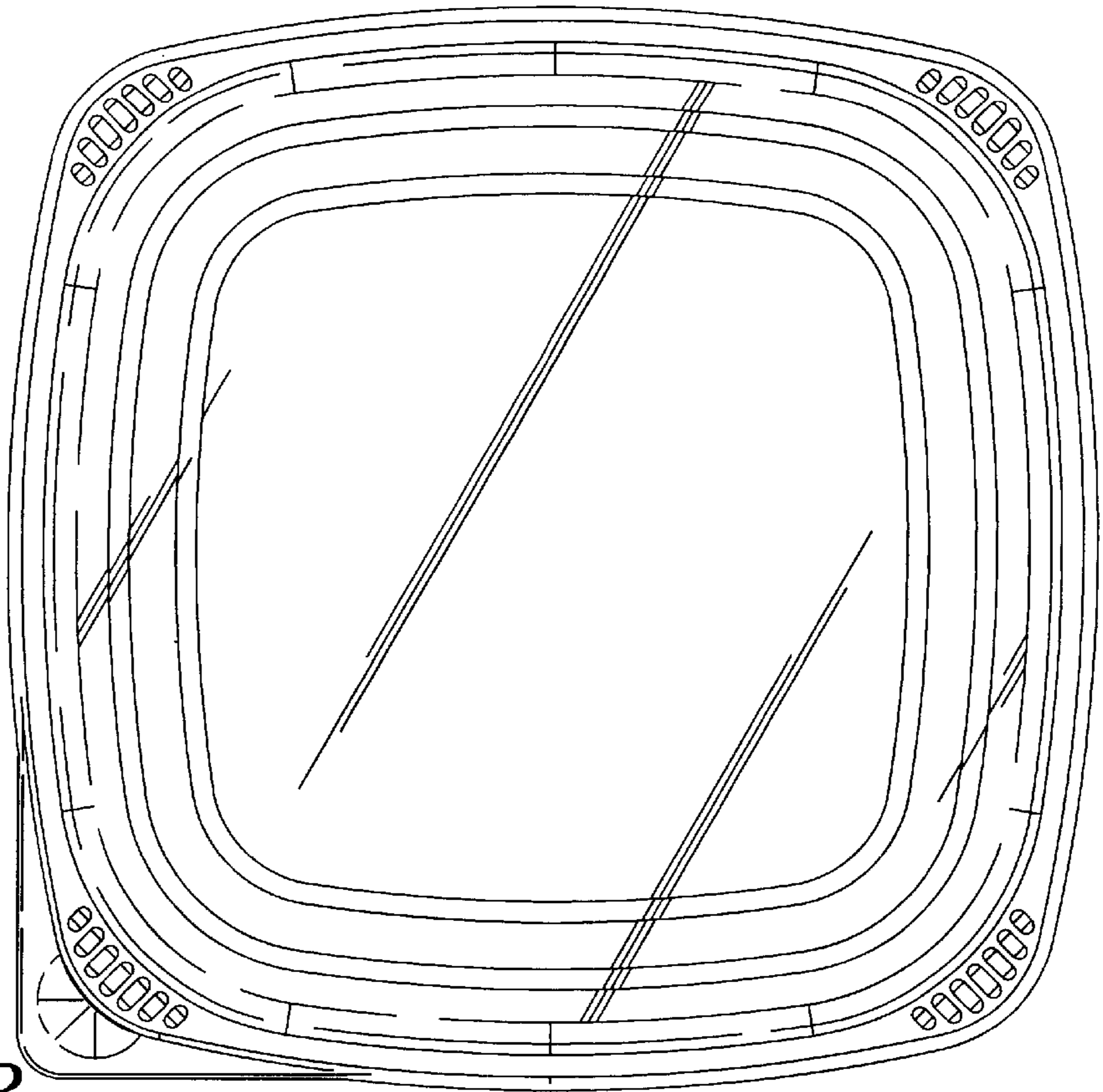
*FIG. -10*



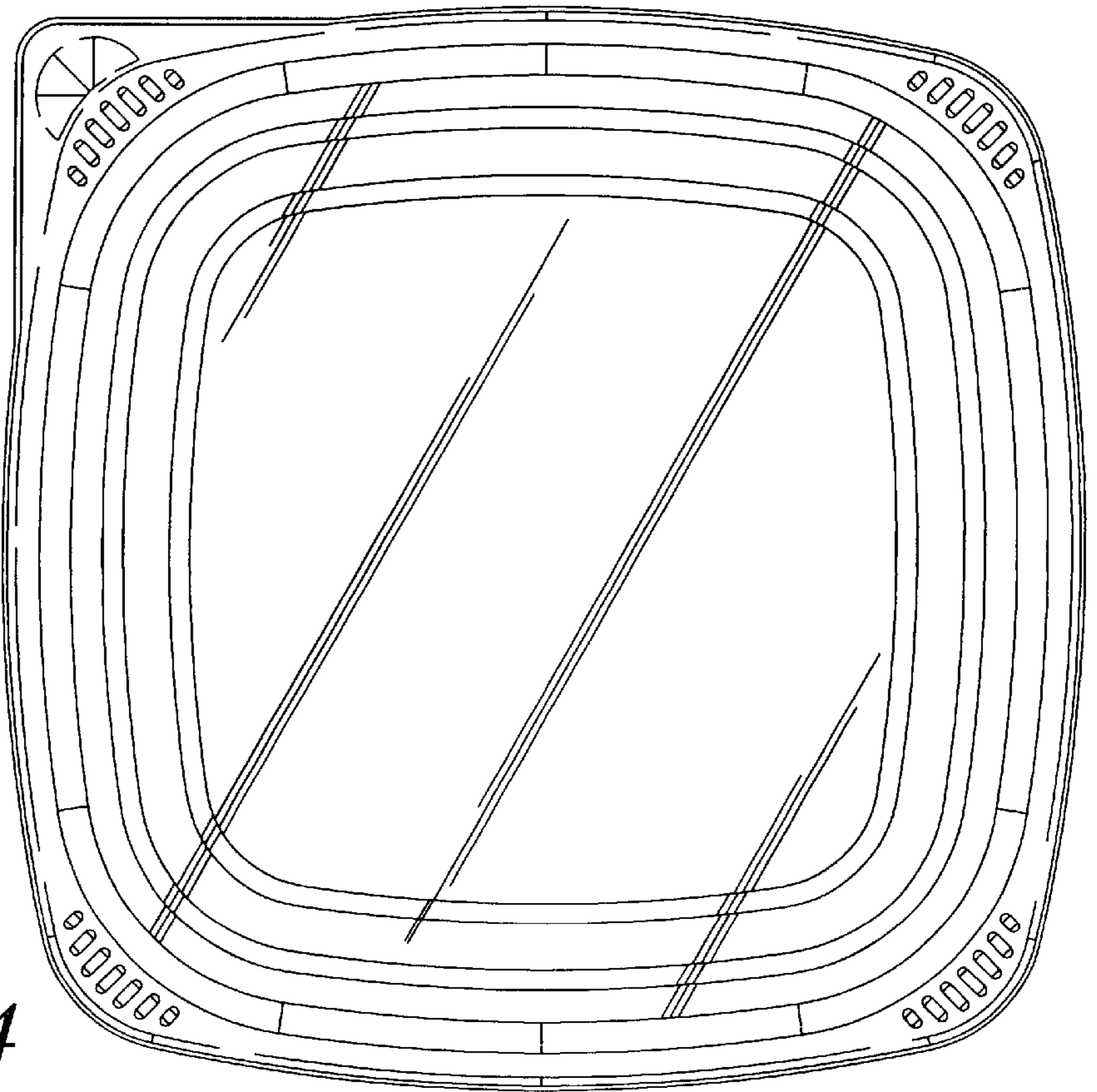
*FIG. -11*



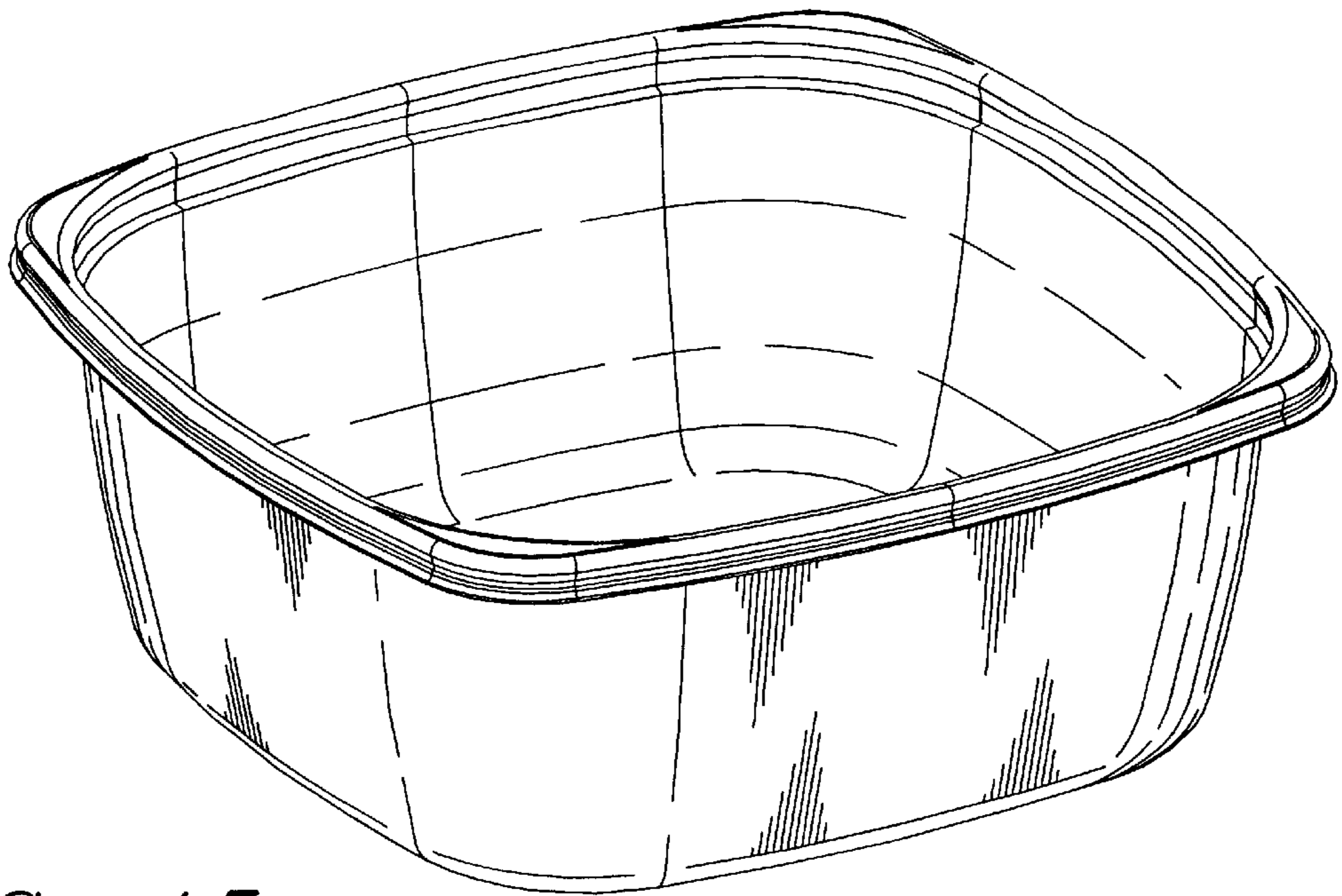
*FIG. -12*



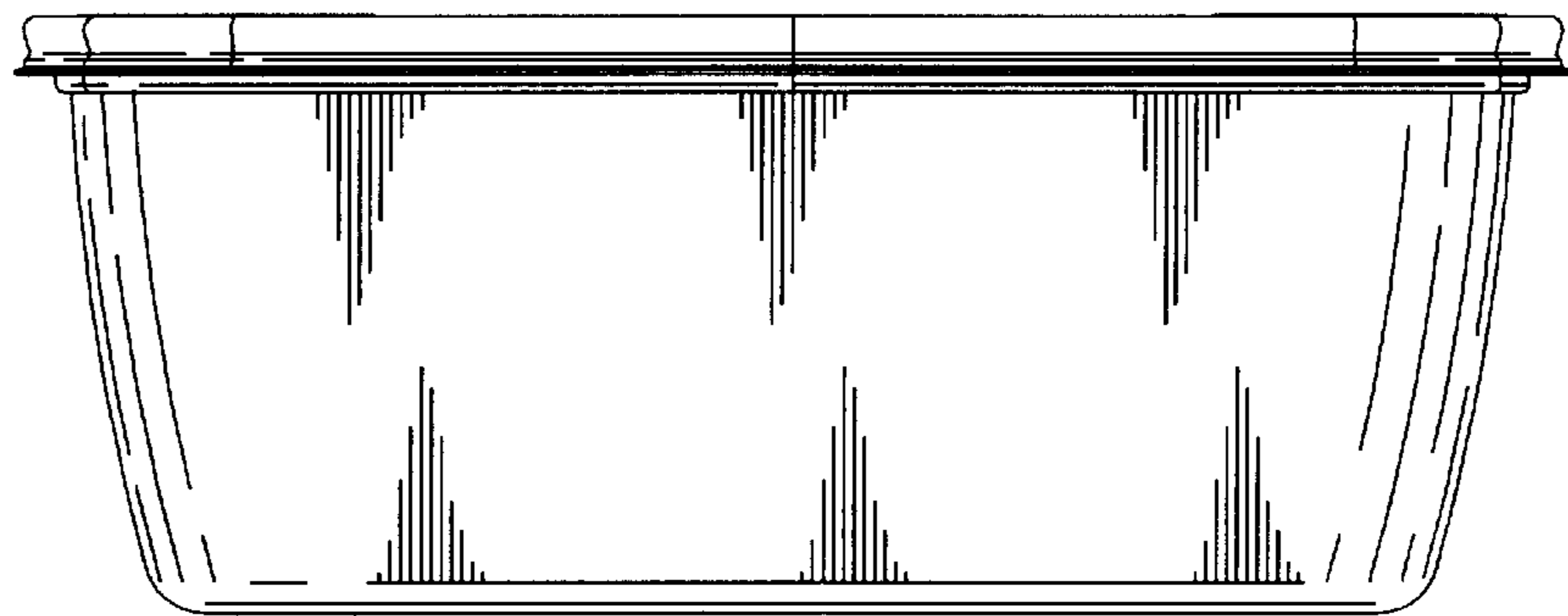
*FIG. - 13*



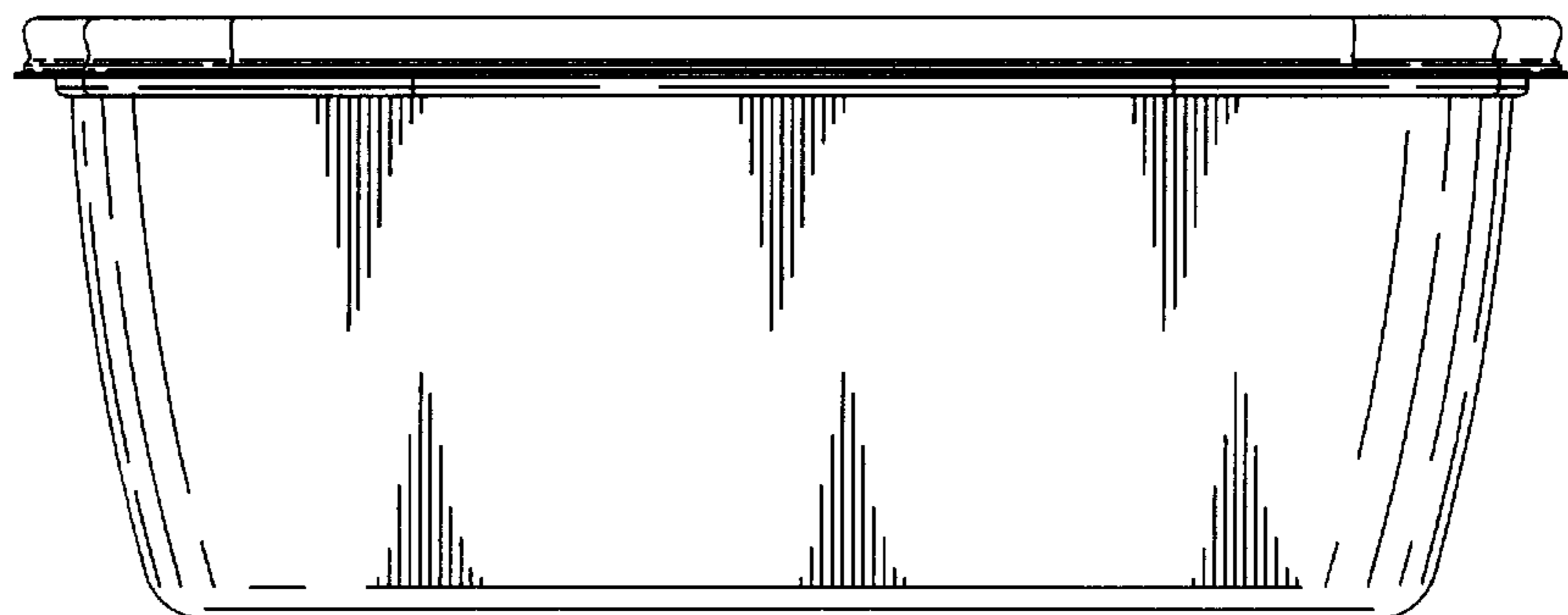
*FIG. - 14*



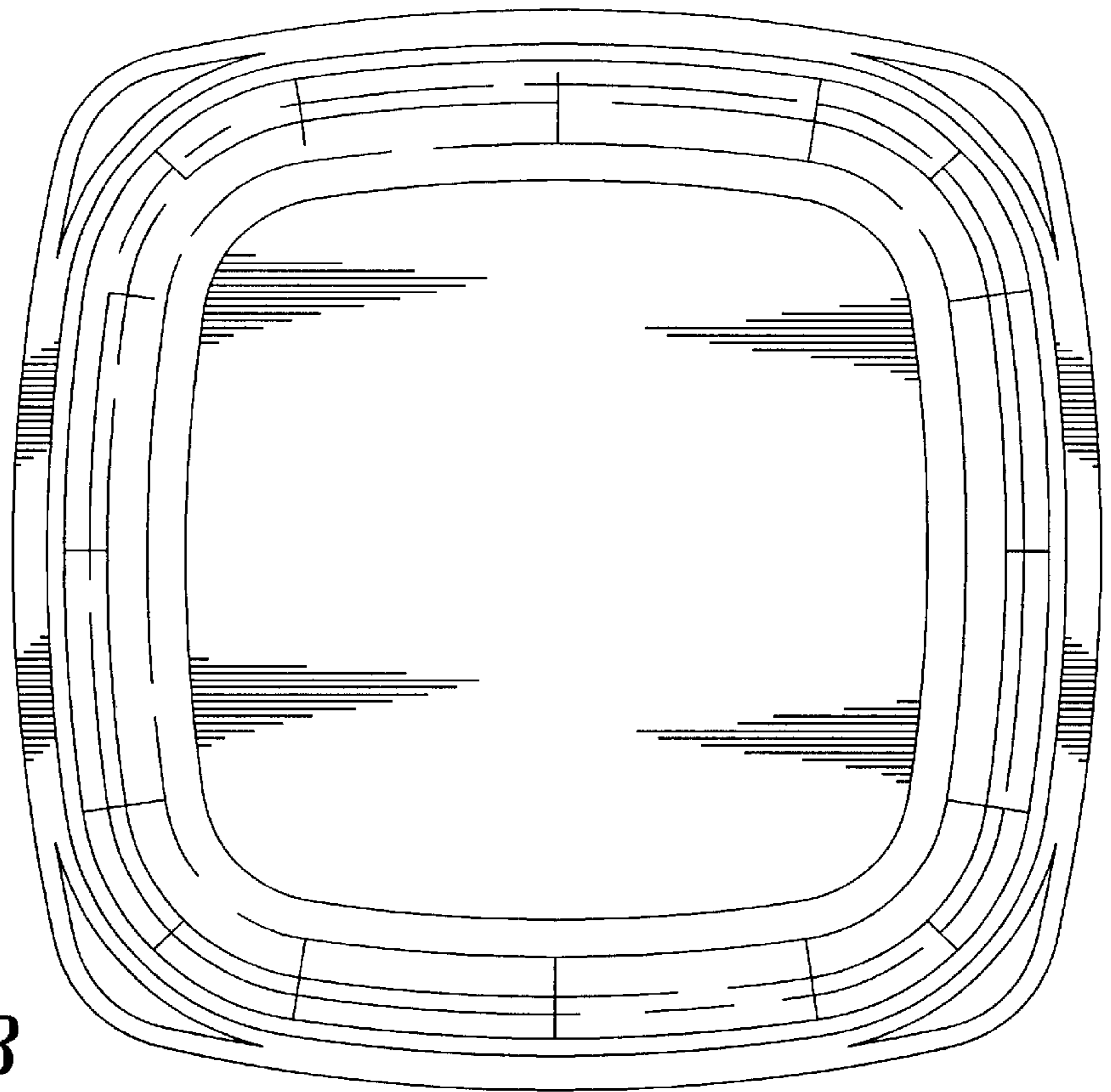
*FIG. - 15*



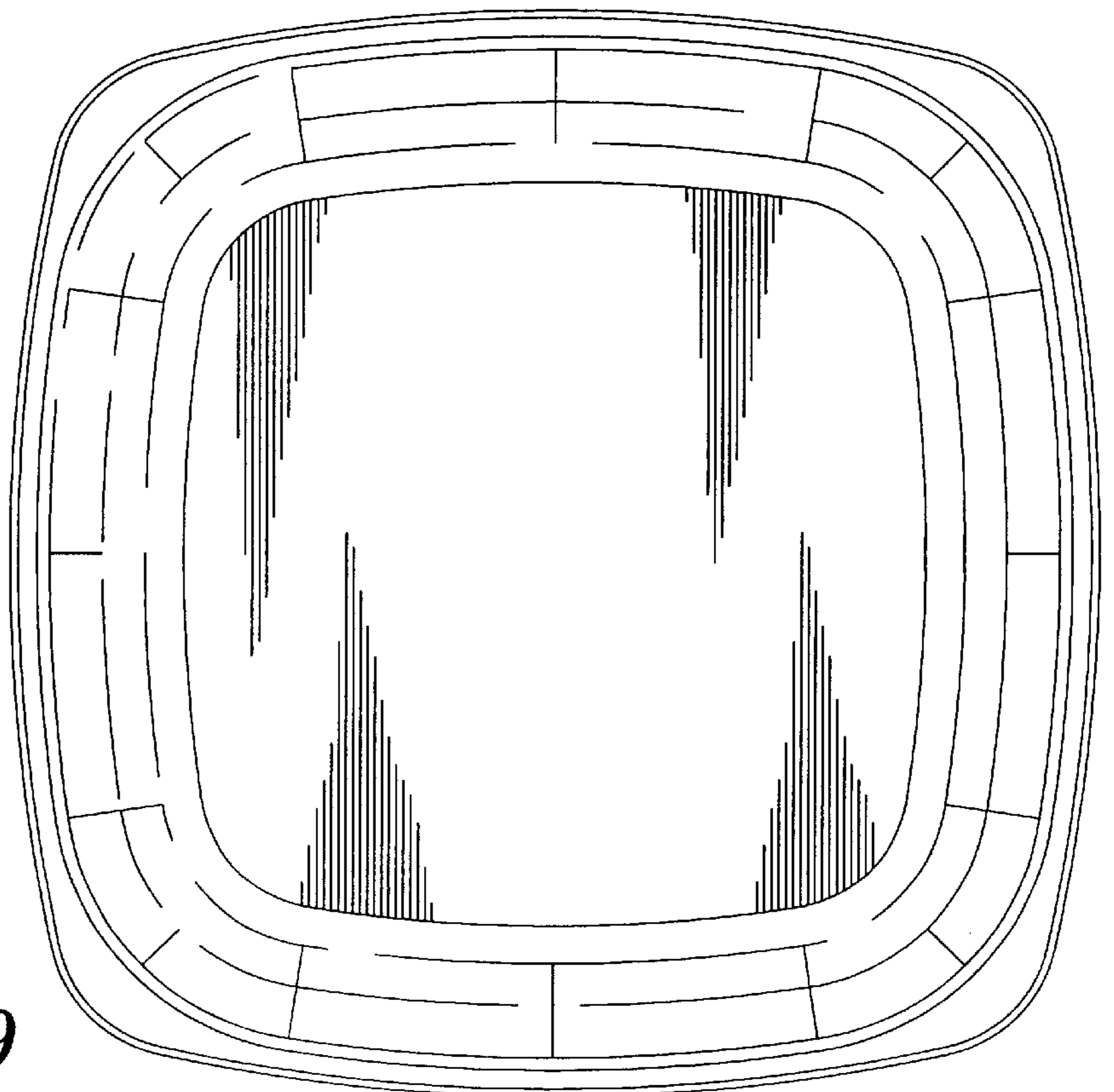
*FIG. - 16*



*FIG. - 17*



*FIG. - 18*



*FIG. - 19*