



US00D462879S

(12) **United States Design Patent**
Martens

(10) **Patent No.:** **US D462,879 S**

(45) **Date of Patent:** **** Sep. 17, 2002**

(54) **BOTTLE HANDLE**

(76) Inventor: **Keith Martens**, 426 Camden Dr.,
Salina, KS (US) 67401

(**) Term: **14 Years**

(21) Appl. No.: **29/147,218**

(22) Filed: **Aug. 23, 2001**

(51) **LOC (7) Cl.** **07-06**

(52) **U.S. Cl.** **D7/622**

(58) **Field of Search** D7/619, 622; D9/434,
D9/443; 16/425; 211/71.1, 74; 220/737,
741, 742; 215/396; 294/27.1, 29, 31.1,
31.2, 32, 33

(56) **References Cited**

U.S. PATENT DOCUMENTS

D222,554 S	*	11/1971	Cockrum	D7/622
4,273,246 A		6/1981	Thompson	215/100 A
4,379,578 A		4/1983	Schuler	294/31.2
4,456,135 A		6/1984	Beekes	215/100 A
D293,124 S	*	12/1987	Sobel	D7/622
4,768,403 A		9/1988	Bar-Noy	81/3.15
4,773,549 A		9/1988	Avraham	215/100 A
4,821,372 A		4/1989	Casiello	16/114 R
4,865,208 A		9/1989	Lax et al.	215/100 A
4,936,614 A		6/1990	Russell	294/27.1
4,972,964 A		11/1990	Escalante	220/94 R
5,013,074 A		5/1991	Galle	294/33
5,025,940 A		6/1991	Akly	215/100 A
D327,221 S		6/1992	Simmons	D9/434
5,183,169 A		2/1993	Grzych	215/100 A

D350,879 S		9/1994	Gelston	D7/622
5,413,231 A		5/1995	Carroll et al.	215/396
D396,385 S	*	7/1998	Lisciotti, Jr.	D7/622
5,816,631 A		10/1998	Kochan	294/33
5,897,150 A		4/1999	Rubini	294/27.1

* cited by examiner

Primary Examiner—Terry A. Wallace

(74) *Attorney, Agent, or Firm*—Jeffrey L. Thompson;
Thompson & Thompson, P.A.

(57) **CLAIM**

The ornamental design for a bottle handle, as shown and described.

DESCRIPTION

FIG. 1 is a front perspective view of a bottle handle showing my new design;

FIG. 2 is a rear perspective view of my bottle handle design;

FIG. 3 is a right side elevational view of my bottle handle design;

FIG. 4 is a left side elevational view of my bottle handle design;

FIG. 5 is a front elevational view of my bottle handle design;

FIG. 6 is a rear elevational view of my bottle handle design;

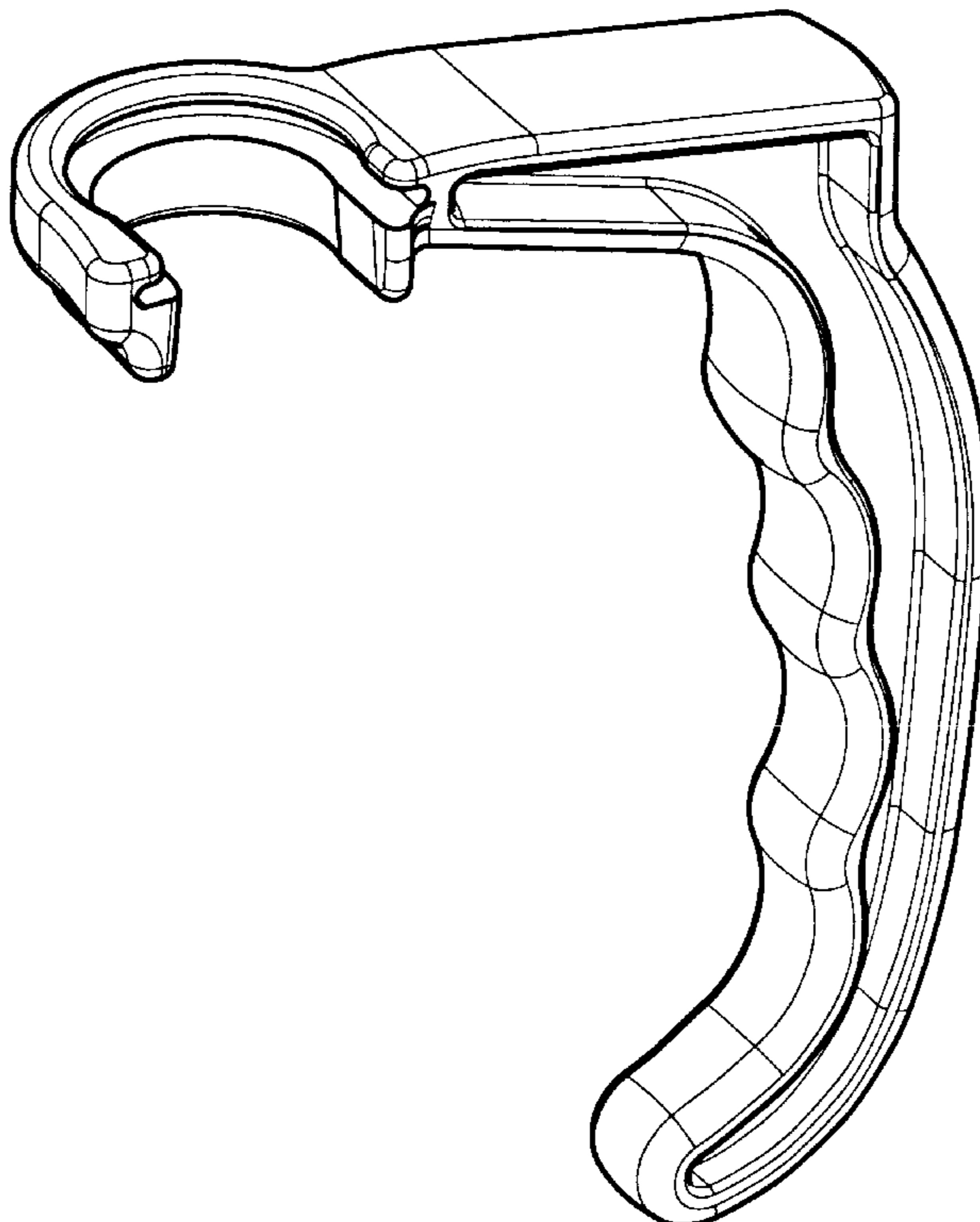
FIG. 7 is a bottom plan view of my bottle handle design;

FIG. 8 is a top plan view of my bottle handle design; and,

FIGS. 9 and 10 are front perspective and front elevational views, respectively, showing my bottle handle attached to a bottle.

The broken lines are for illustrative purposes only and form no part of the claimed design.

1 Claim, 9 Drawing Sheets



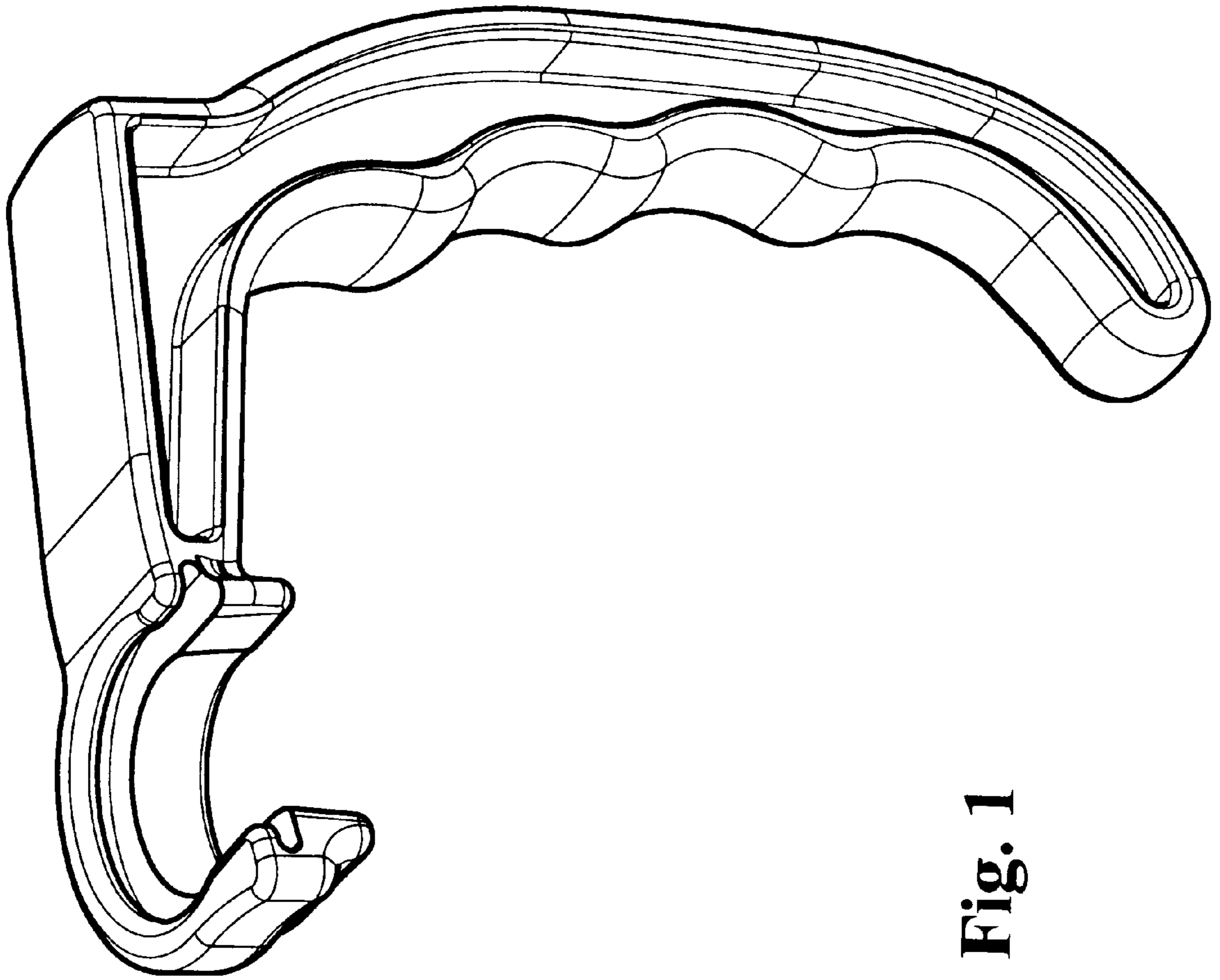
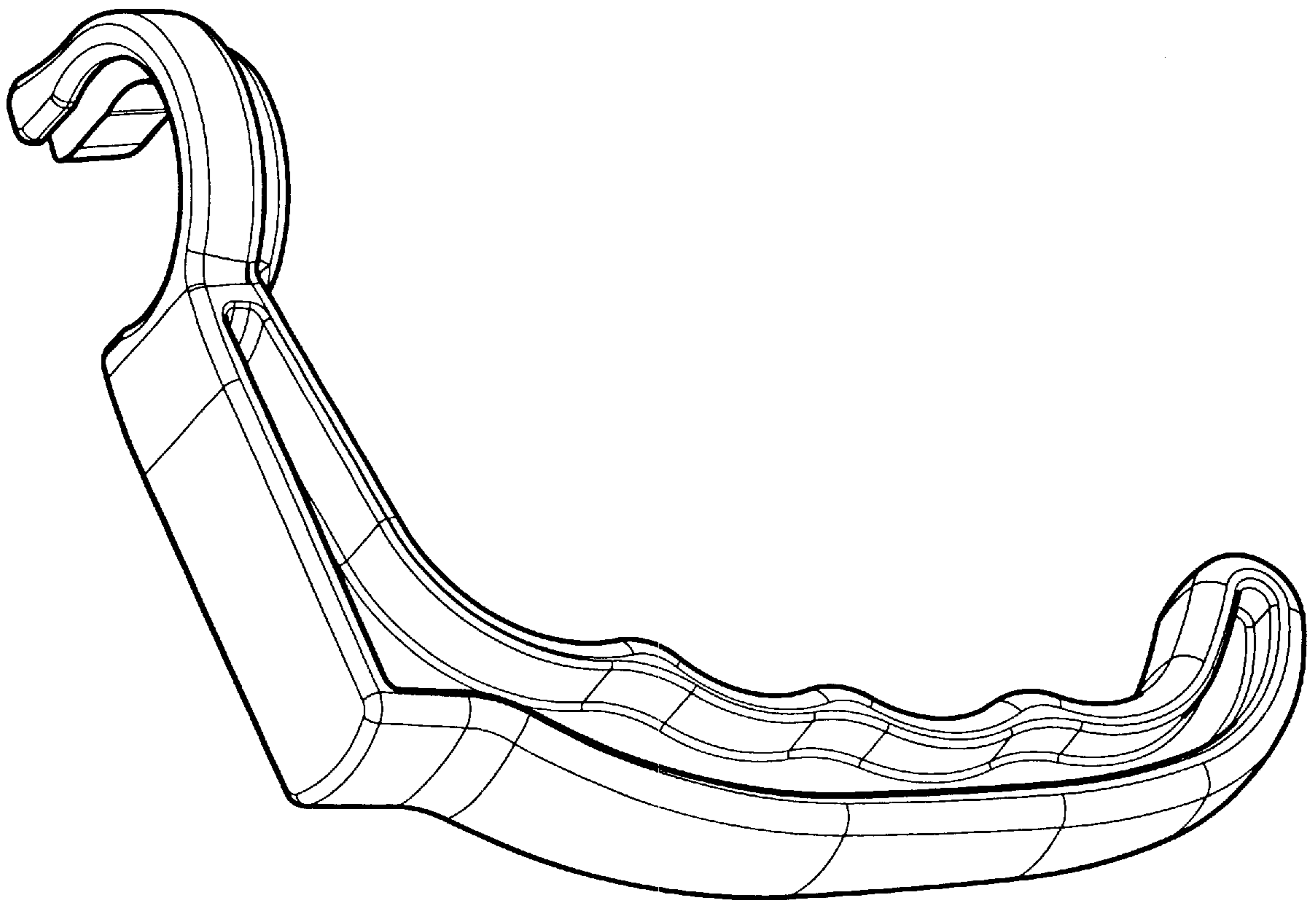


Fig. 1

Fig. 2



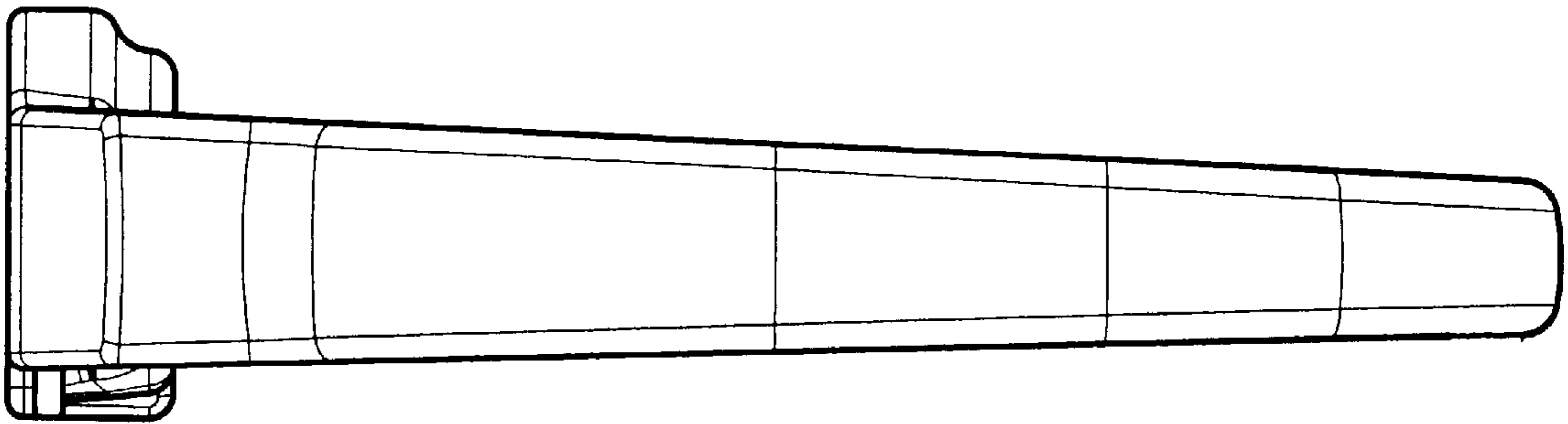
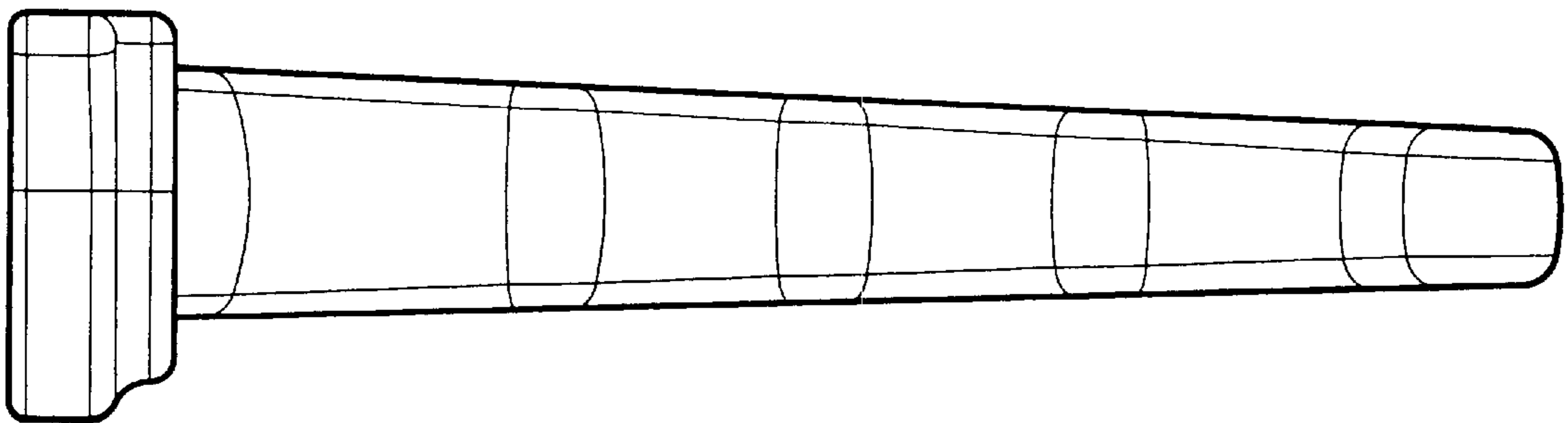


Fig. 3

Fig. 4



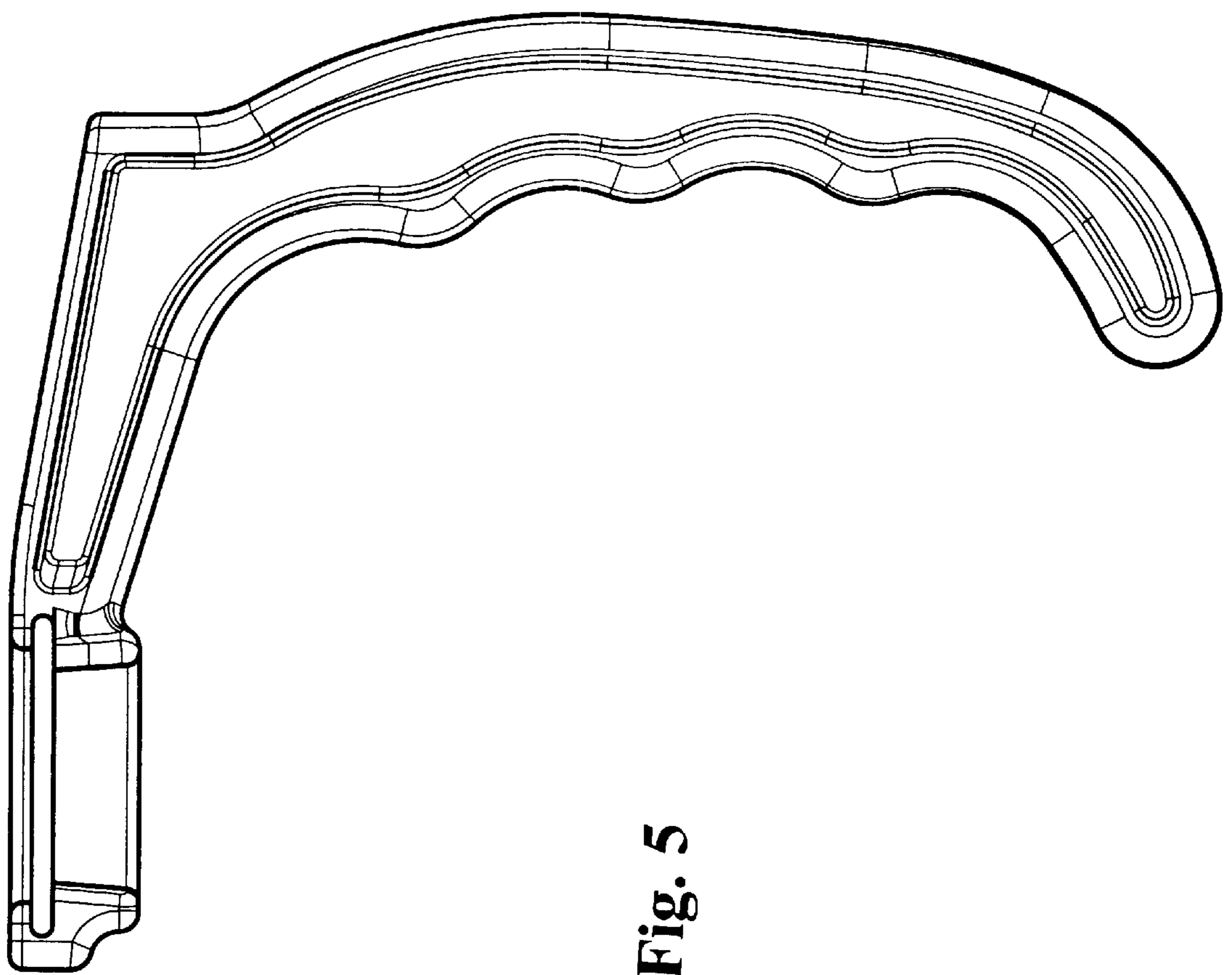


Fig. 5

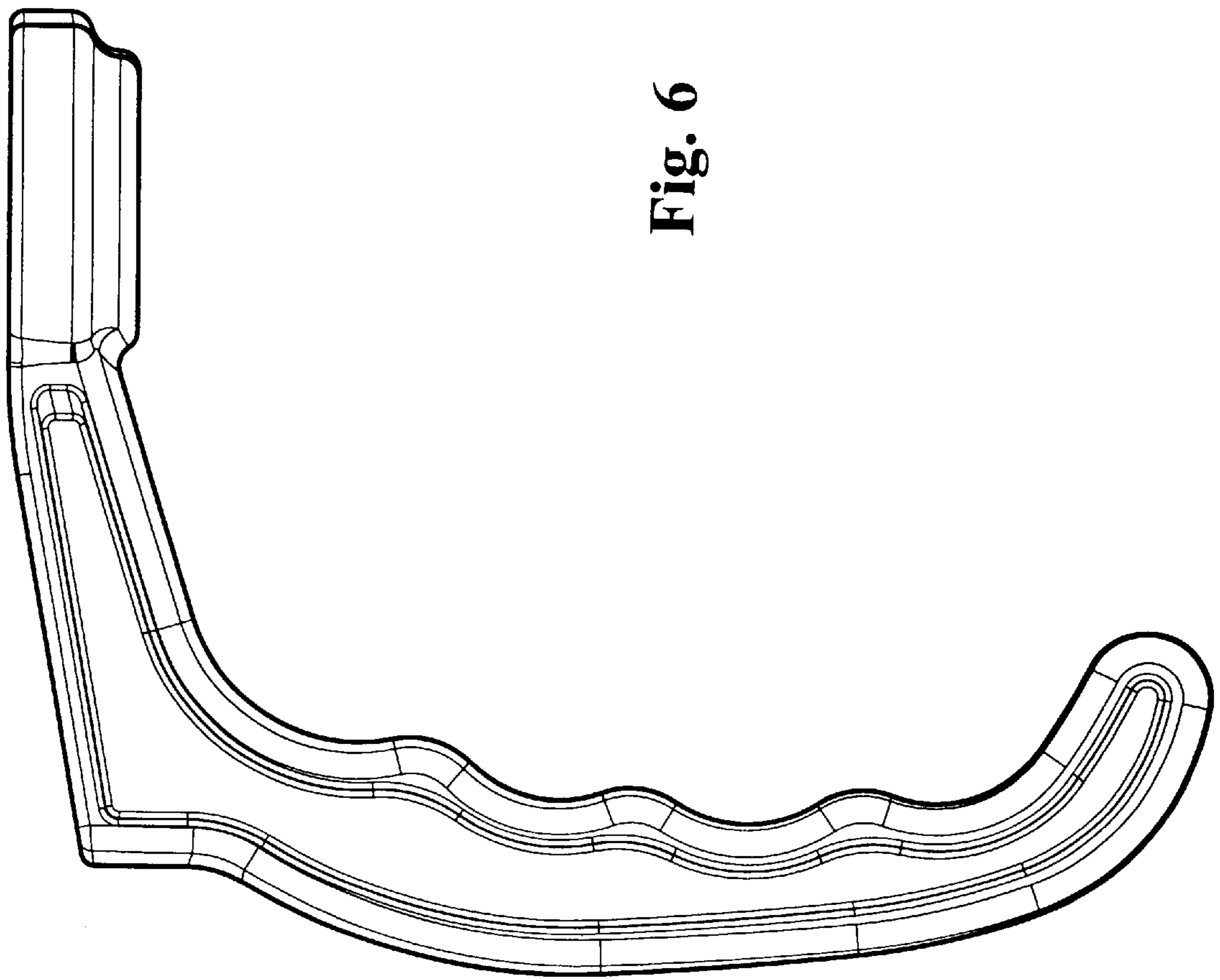


Fig. 6

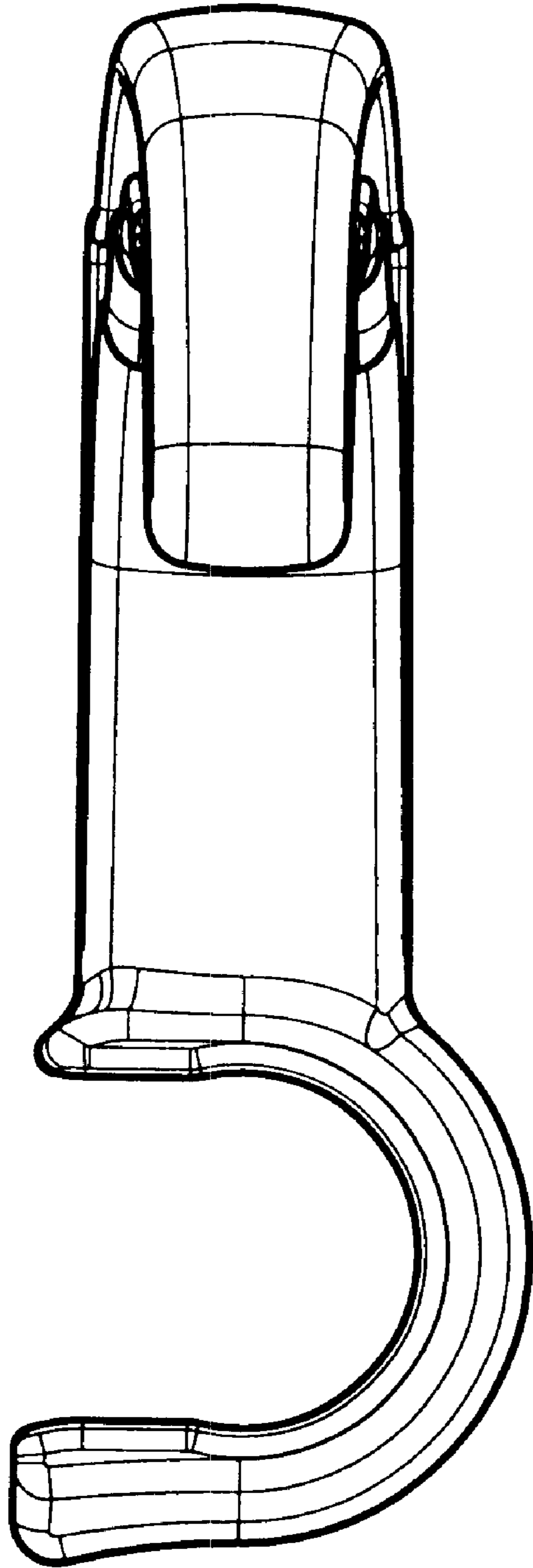


Fig. 7

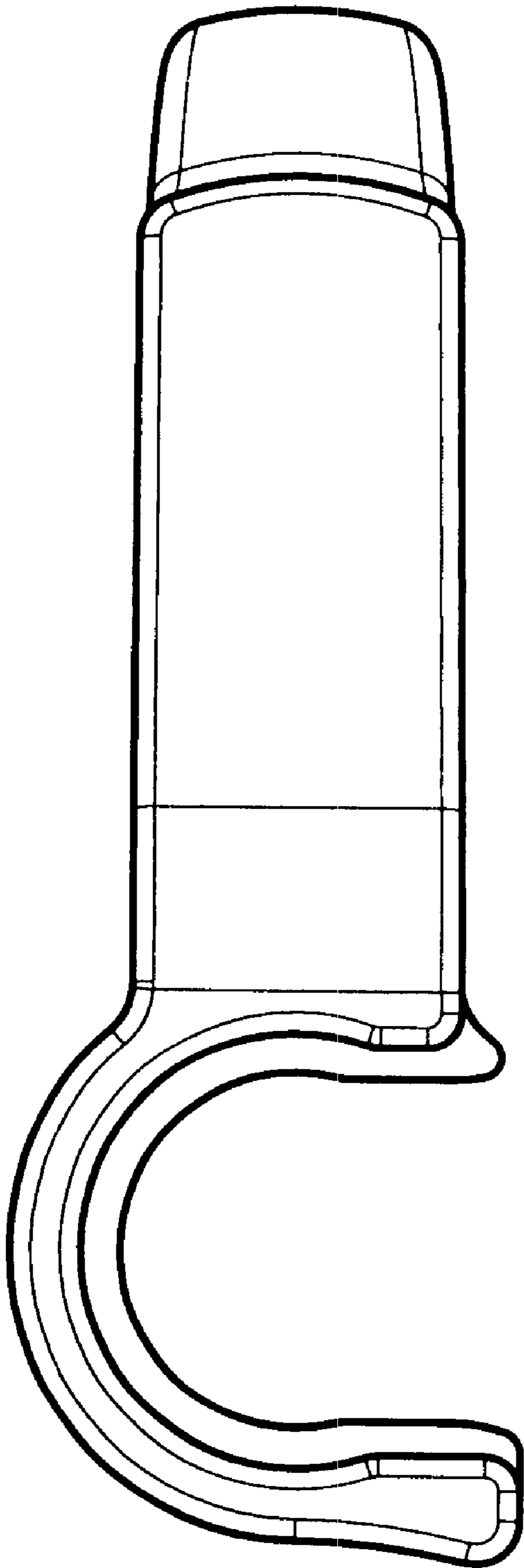


Fig. 8

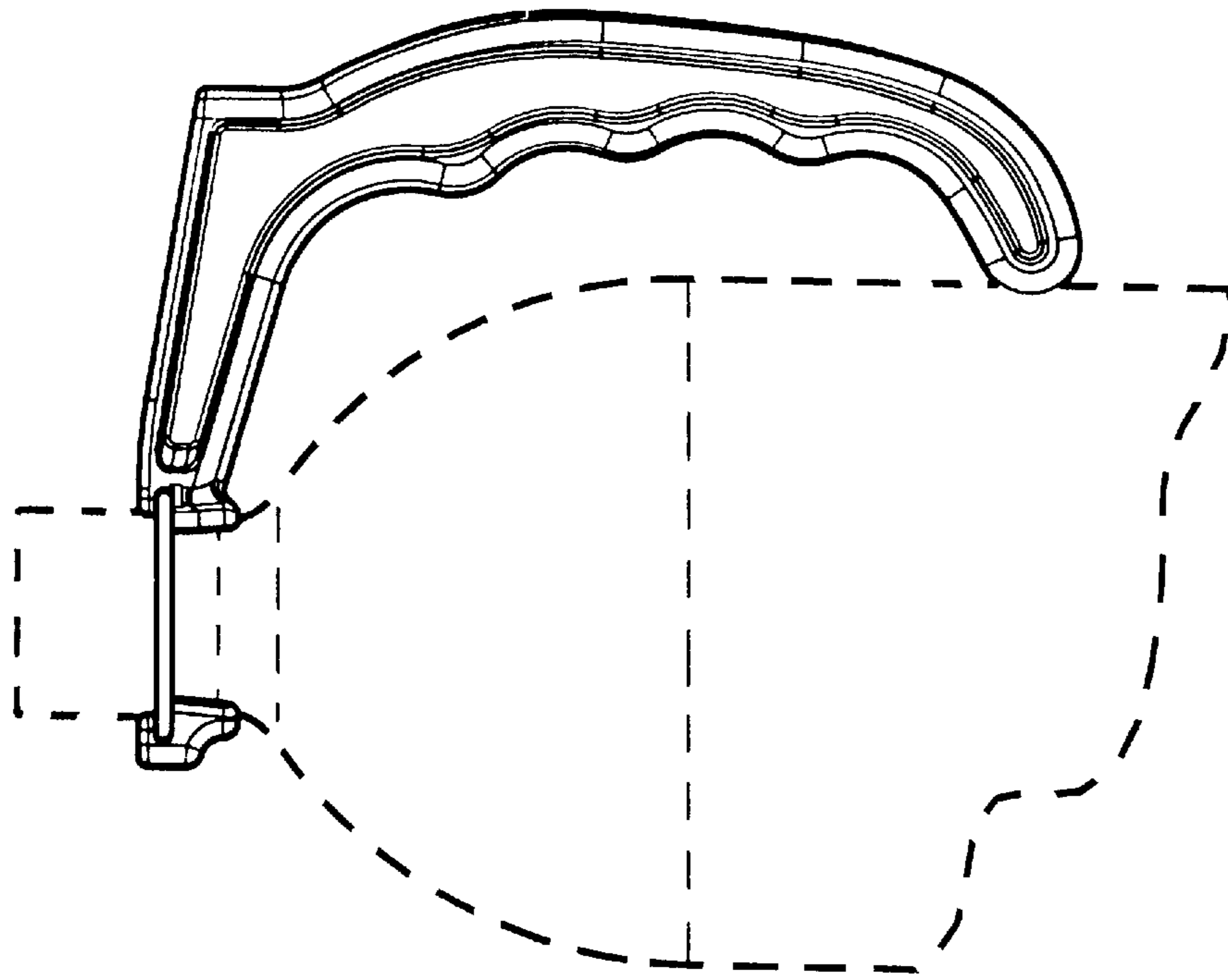


Fig. 10

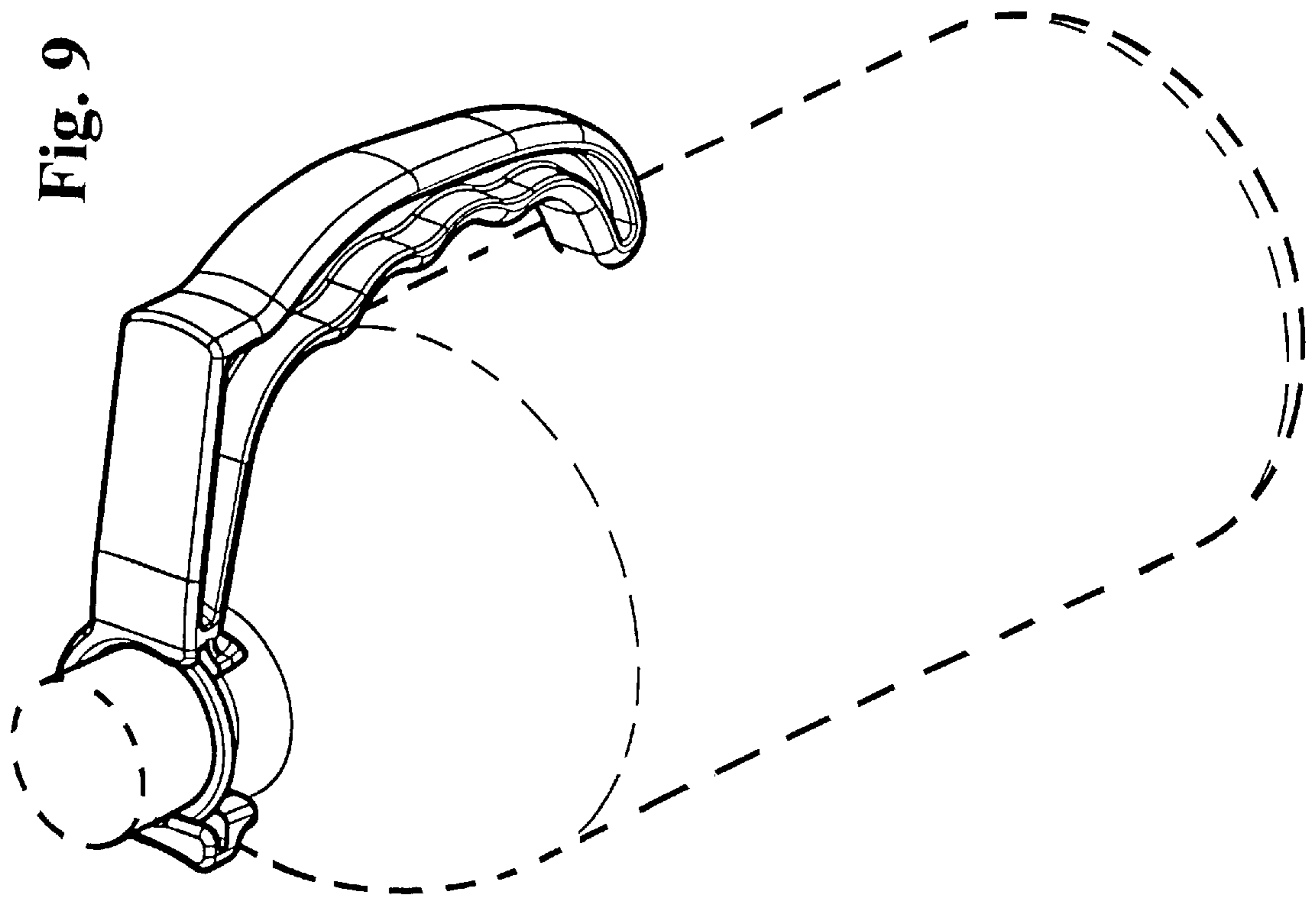


Fig. 9