



US00D462878S

(12) **United States Design Patent**
Krieger

(10) **Patent No.:** **US D462,878 S**

(45) **Date of Patent:** **** Sep. 17, 2002**

(54) **TRAVEL COOLER CONSOLE**

D381,870 S * 8/1997 Wedi D7/605
D440,123 S * 4/2001 Lin et al. D7/605

(75) Inventor: **Michael Krieger**, Miami Beach, FL
(US)

* cited by examiner

(73) Assignee: **Vector Products, Inc.**, Ft. Lauderdale,
FL (US)

Primary Examiner—Terry A. Wallace

(74) *Attorney, Agent, or Firm*—Venable; Robert Kinberg

(**) Term: **14 Years**

(57) **CLAIM**

The ornamental design for a travel cooler console, as shown and described.

(21) Appl. No.: **29/144,427**

DESCRIPTION

(22) Filed: **Jul. 3, 2001**

(51) **LOC (7) Cl.** **07-01**

(52) **U.S. Cl.** **D7/605**

(58) **Field of Search** D7/605-608; D3/273,
D3/274; 62/457.1, 457.7, 371, 372; 220/592.2,
592.24-592.27, 915.1, 915.2

FIG. 1 is a top left-front perspective view of the travel cooler console showing my new design;

FIG. 2 is a right side view of the design shown in FIG. 1;

FIG. 3 is a left side view of the design shown in FIG. 1;

FIG. 4 is a front view of the design shown in FIG. 1;

FIG. 5 is a back view of the design shown in FIG. 1;

FIG. 6 is a top view of the design shown in FIG. 1; and,

FIG. 7 is a bottom view of the design shown in FIG. 1.

The bottom view forms no part of the claimed design.

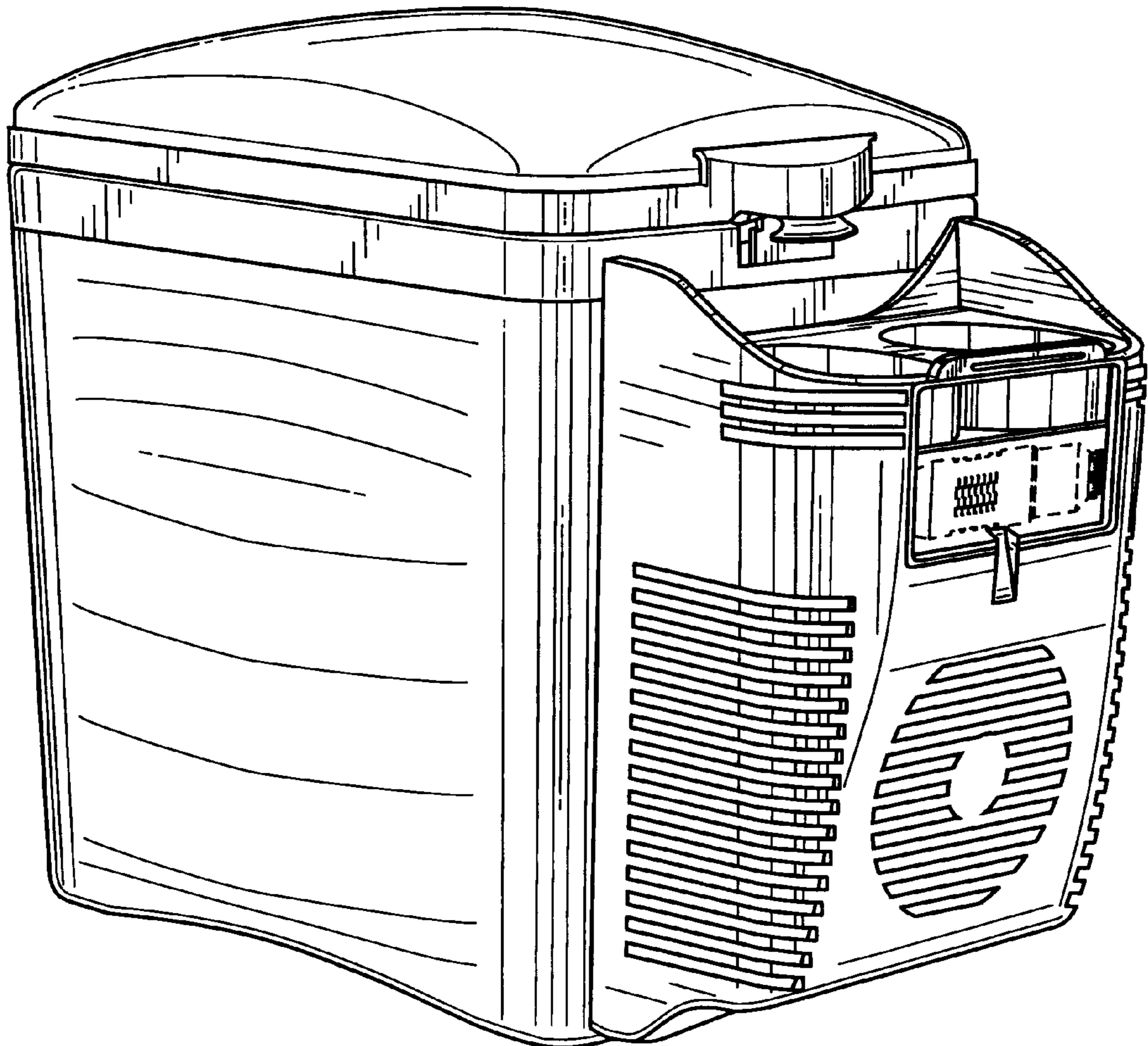
The broken lines are for illustrative purposes only and form no part of the claimed design.

(56) **References Cited**

U.S. PATENT DOCUMENTS

4,274,262 A * 6/1981 Reed et al. 62/457.1
D350,048 S * 8/1994 Kahl et al. D7/605
D368,206 S * 3/1996 Wedi D7/605

1 Claim, 7 Drawing Sheets



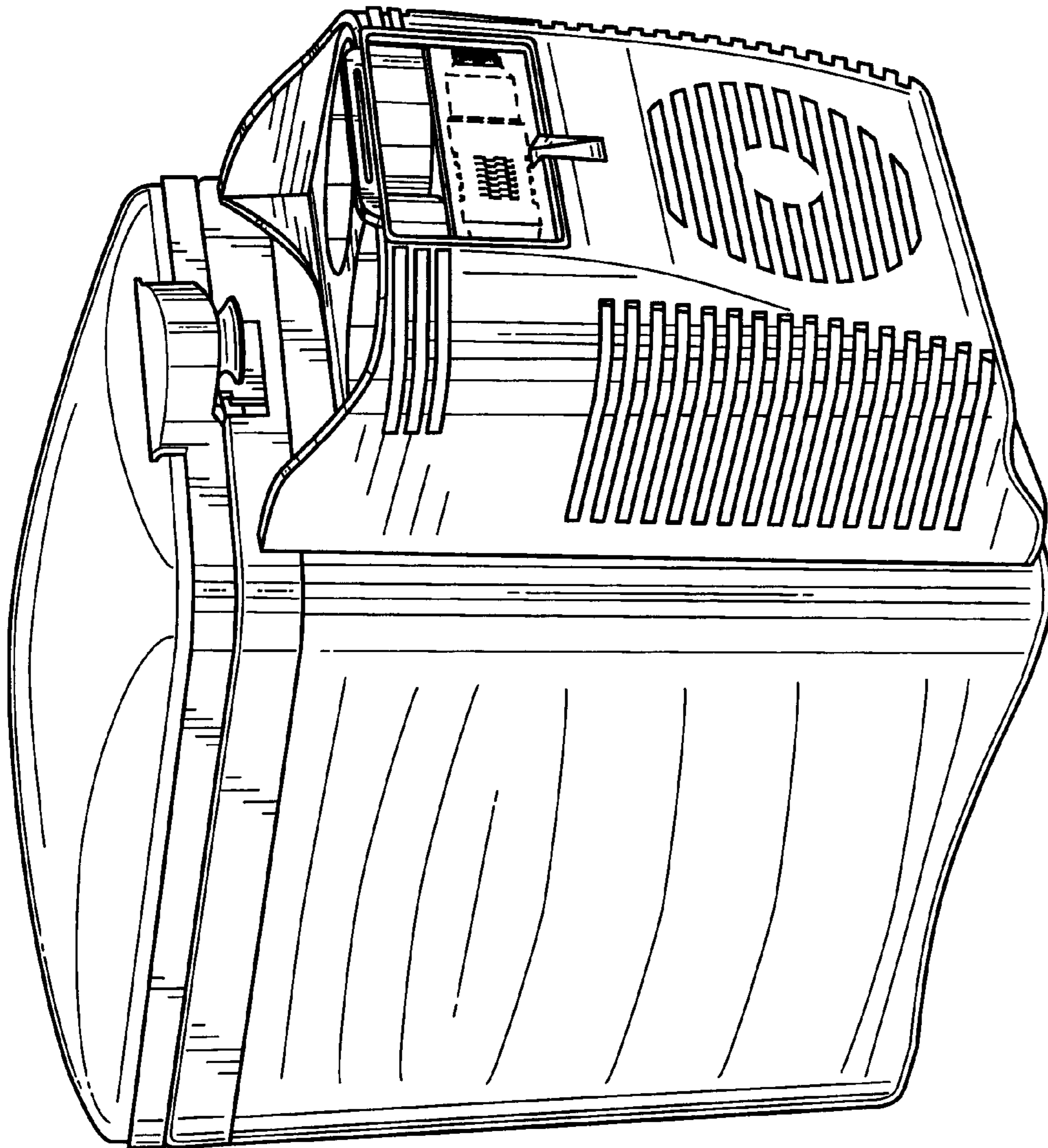


FIG. 1

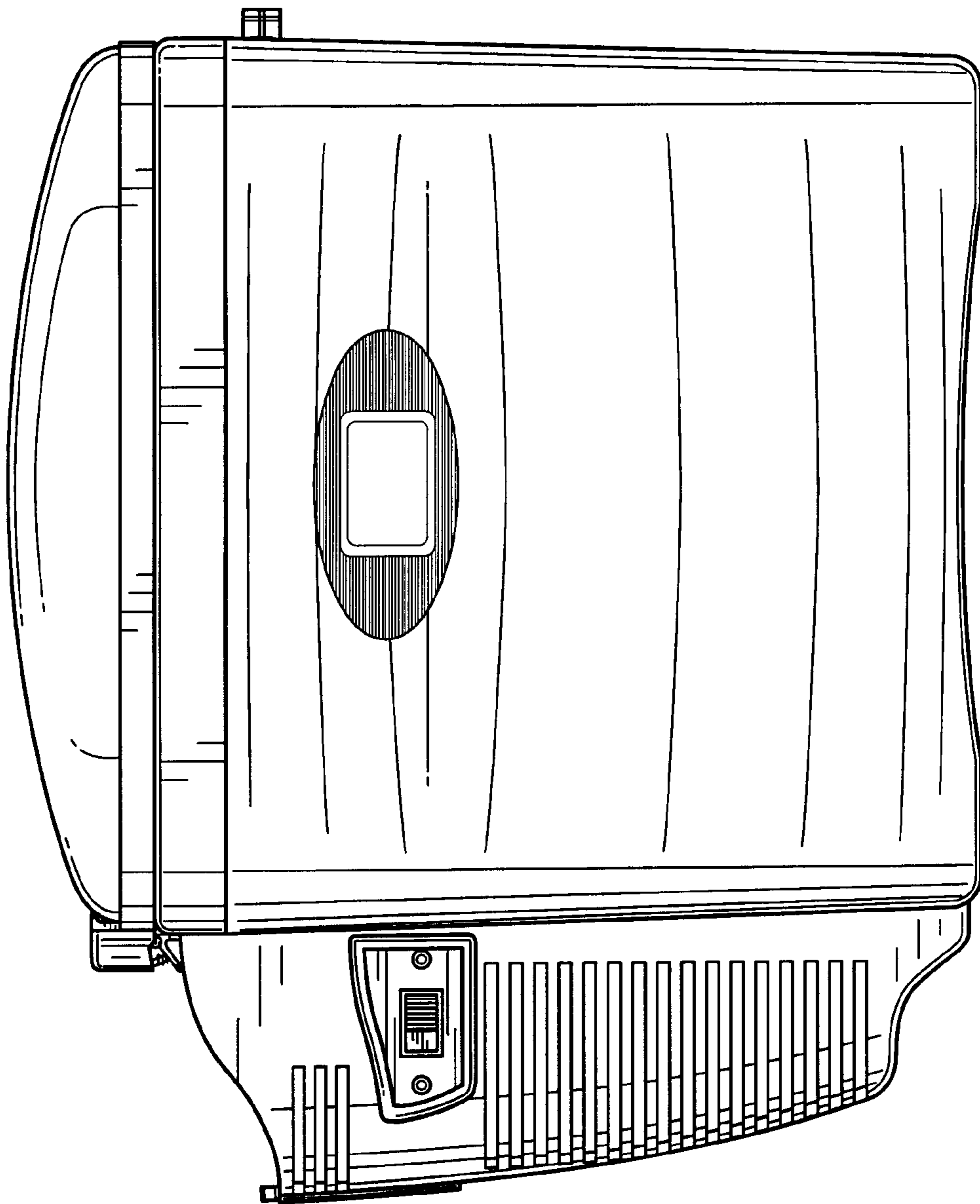


FIG. 2

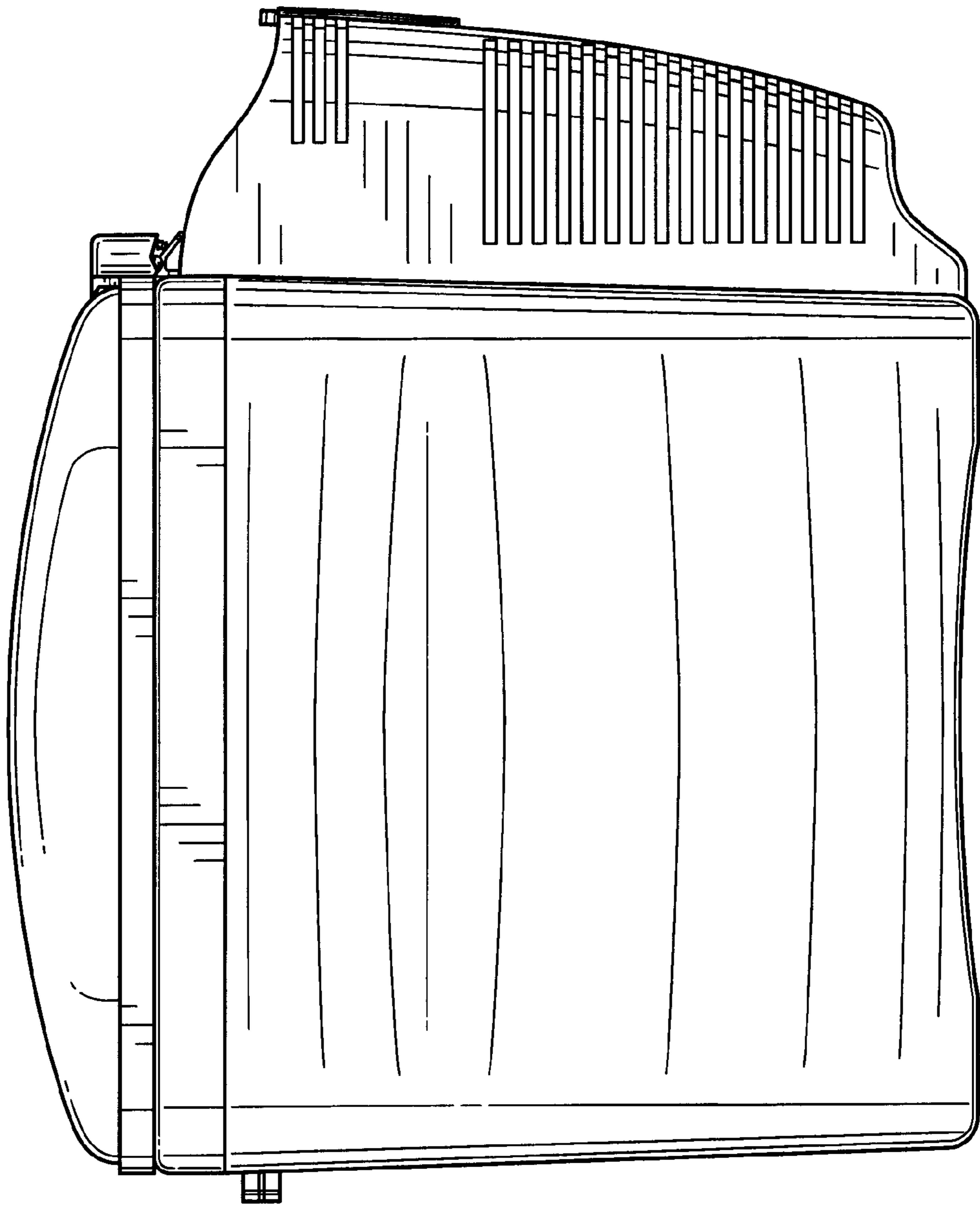


FIG. 3

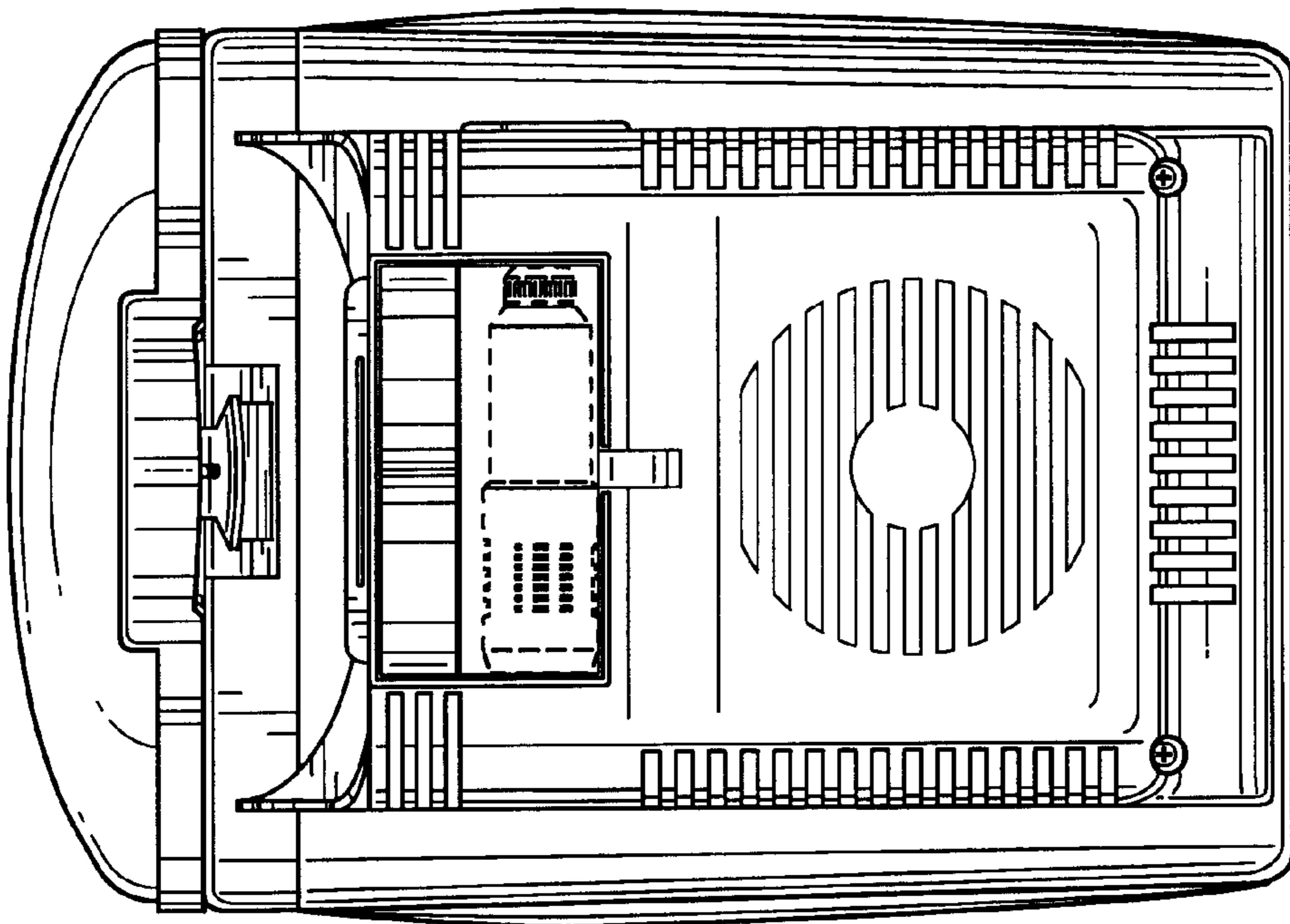


FIG. 4

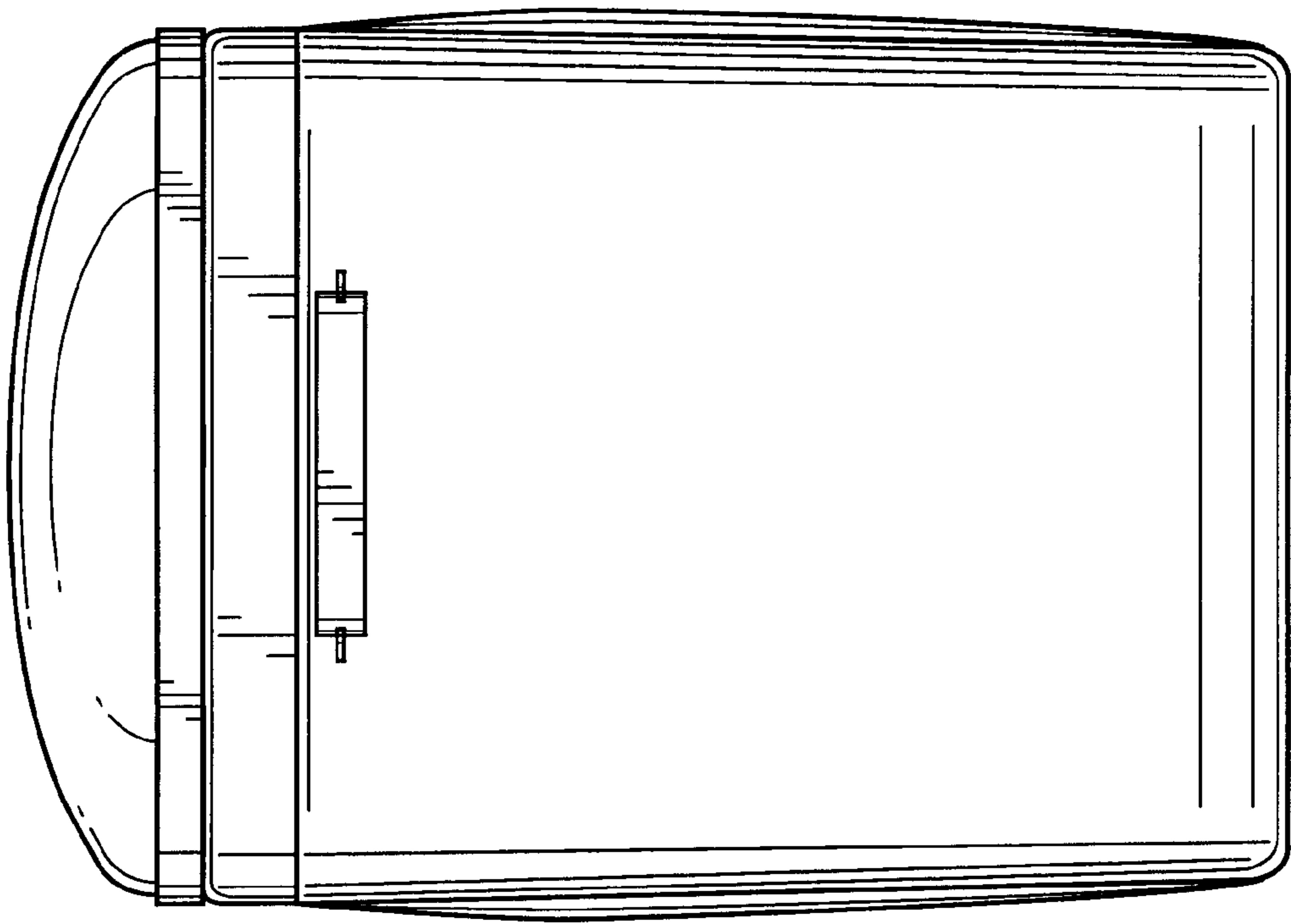


FIG. 5

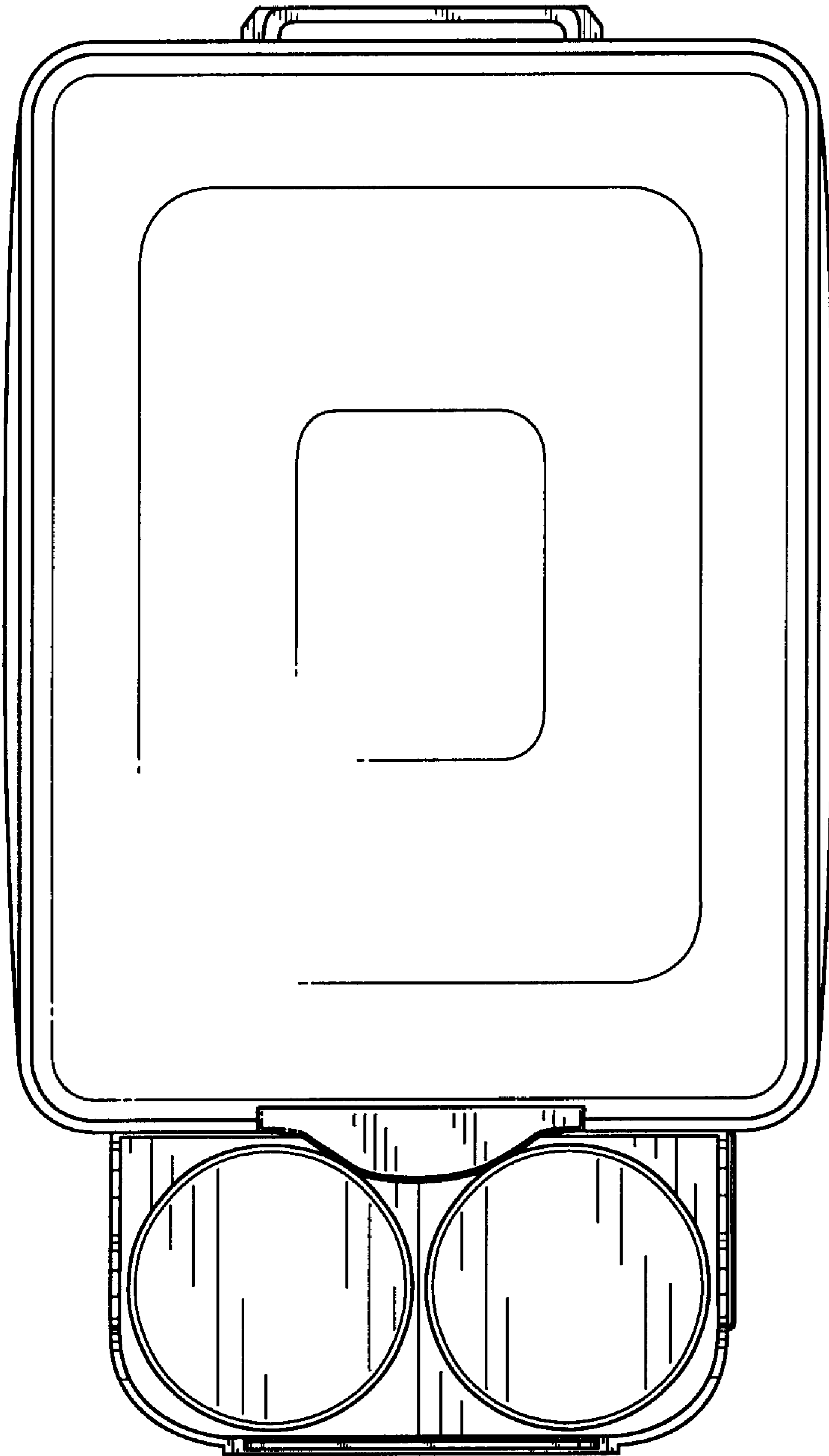


FIG. 6

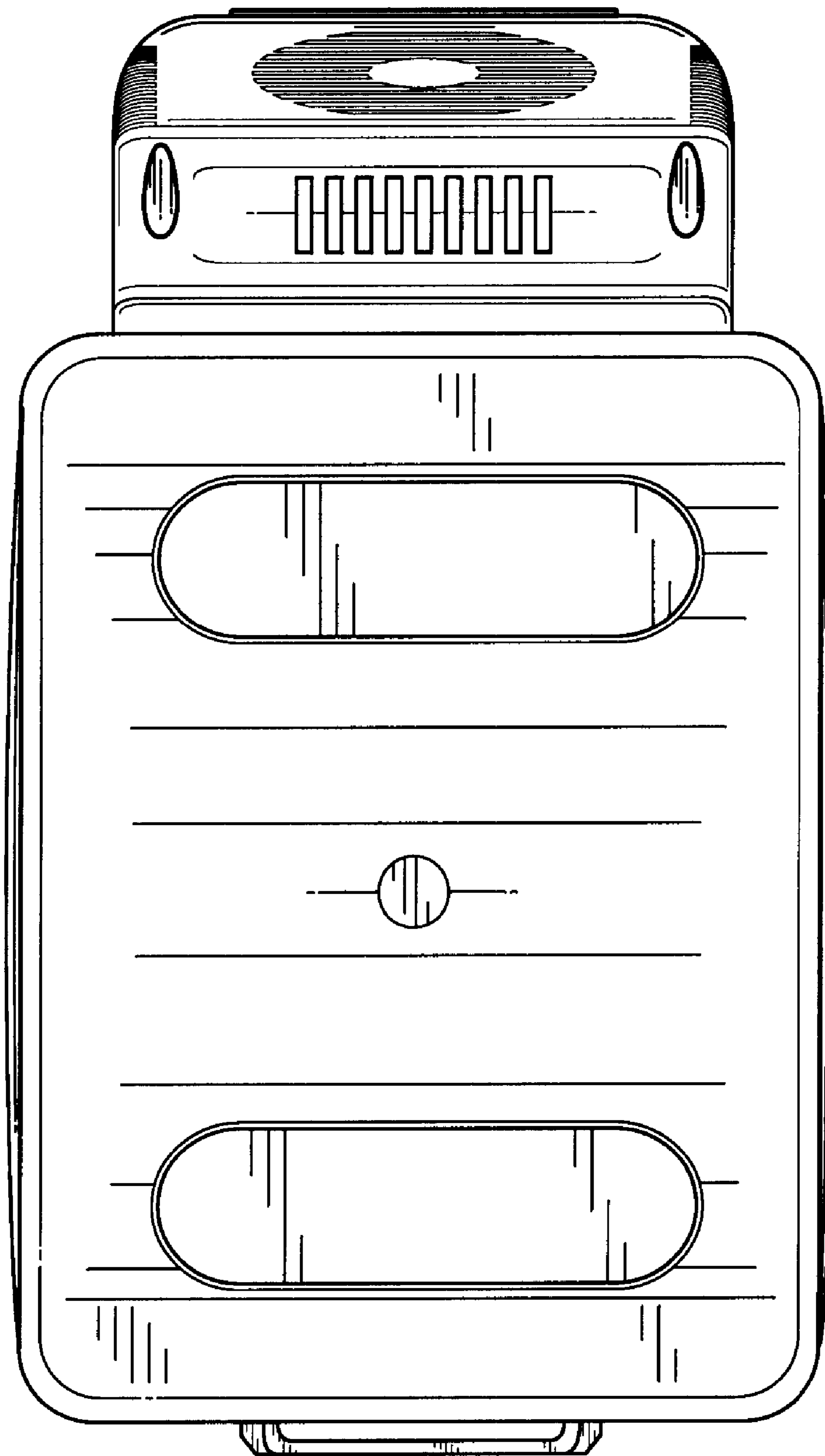


FIG. 7