



US00D462877S

(12) **United States Design Patent**
Lillelund et al.

(10) **Patent No.:** **US D462,877 S**

(45) **Date of Patent:** **** Sep. 17, 2002**

(54) **STACKING TRAY**

(75) Inventors: **Stig Lillelund**, Gentofte; **Jakob Heiberg**, Charlottenlund; **Hanne Dalsgaard Jeppesen**, Holte, all of (DK); **Robert H. C. M. Daenen**, Aalst (BE)

(73) Assignee: **Dart Industries Inc.**, Orlando, FL (US)

(**) Term: **14 Years**

(21) Appl. No.: **29/147,891**

(22) Filed: **Sep. 7, 2001**

(51) **LOC (7) Cl.** **07-01**

(52) **U.S. Cl.** **D7/602**

(58) **Field of Search** D7/602, 629, 550.1, D7/554.1, 554.2, 554.4; 206/553, 557; 220/574, 782-793; D9/424, 425, 430-432

(56) **References Cited**

U.S. PATENT DOCUMENTS

D174,831 S * 5/1955 Nowak D7/550.1
3,384,263 A * 5/1968 Bernstein 220/782 X
D257,107 S * 9/1980 Daenen et al. D7/602 X
D310,463 S 9/1990 Laib

D330,148 S * 10/1992 Pinkston D7/629
D342,806 S 12/1993 Jones et al.
D346,720 S 5/1994 Onneweer
D374,177 S 10/1996 Onneweer
D381,560 S 7/1997 Indekeu
D413,209 S 8/1999 Jarke
D415,392 S 10/1999 Wallays et al.

* cited by examiner

Primary Examiner—Terry A. Wallace

(74) *Attorney, Agent, or Firm*—Taylor J. Ross

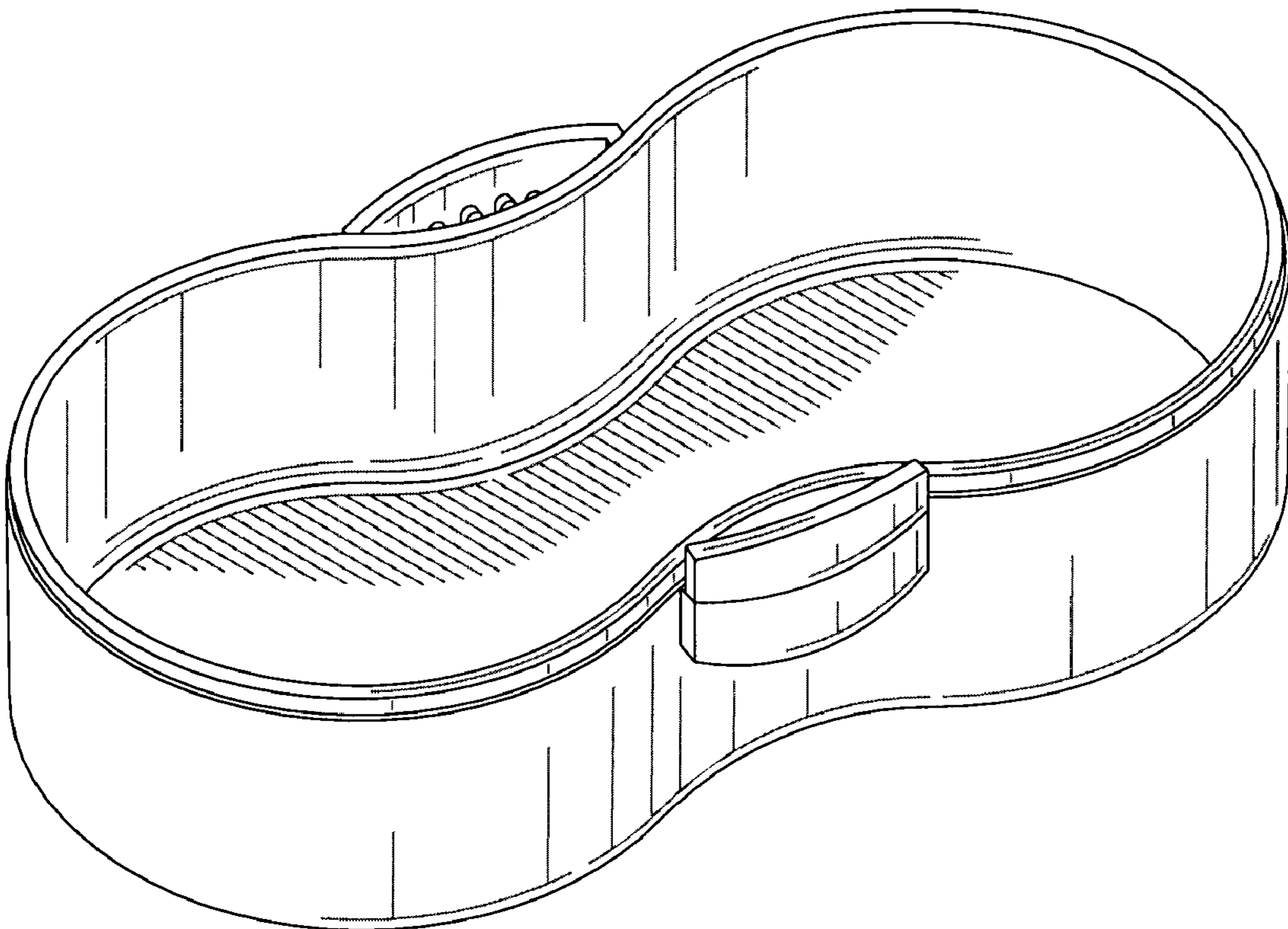
(57) **CLAIM**

The ornamental design for a stacking tray, as shown and described.

DESCRIPTION

FIG. 1 is a top, side and front perspective view of a stacking tray showing the new design;
FIG. 2 is a front elevation view thereof;
FIG. 3 is a rear elevation view thereof;
FIG. 4 is a right side elevation view thereof;
FIG. 5 is a left side elevation view thereof;
FIG. 6 is a top plan view thereof; and,
FIG. 7 is a bottom plan view thereof.

1 Claim, 3 Drawing Sheets



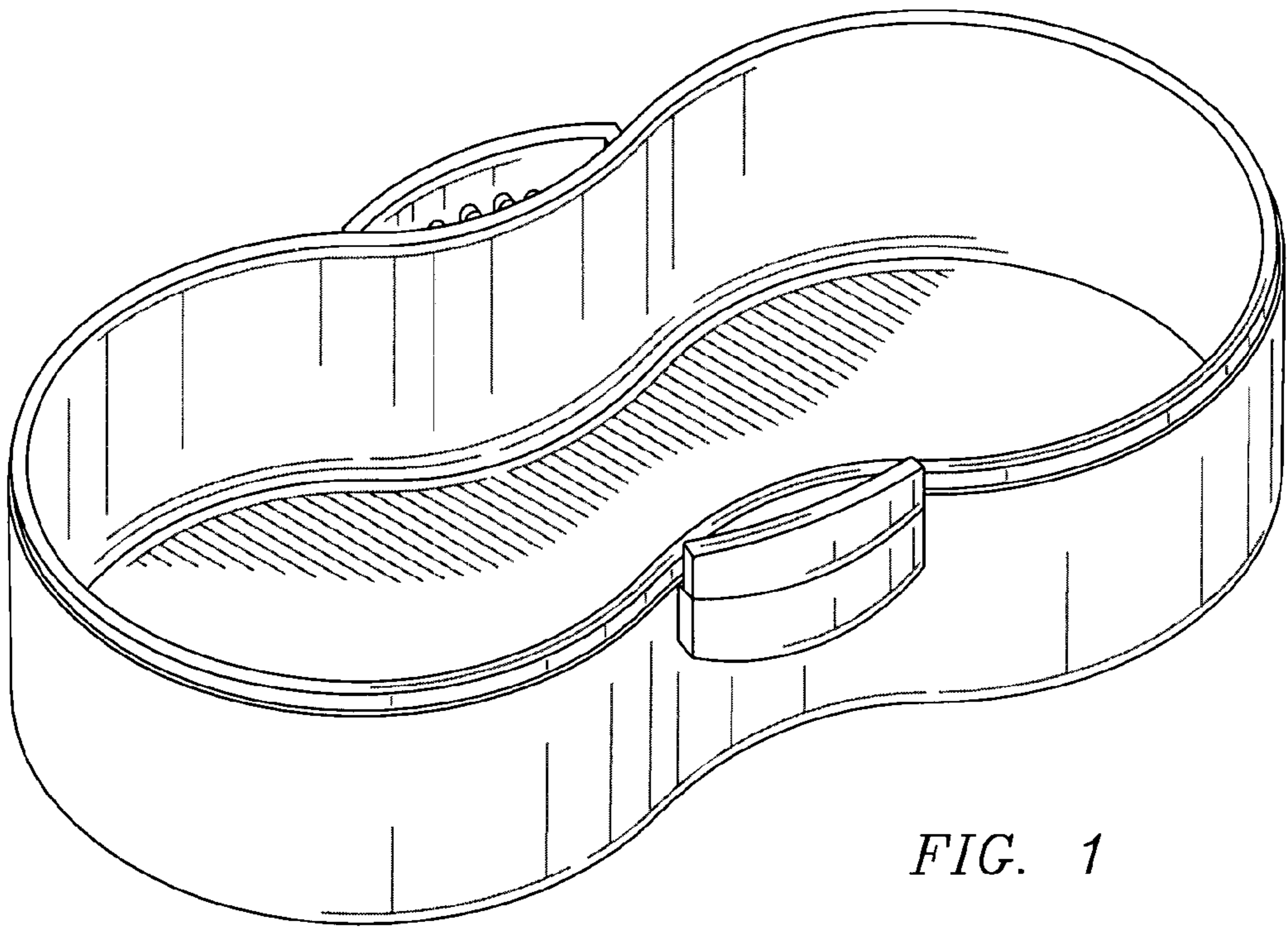


FIG. 1

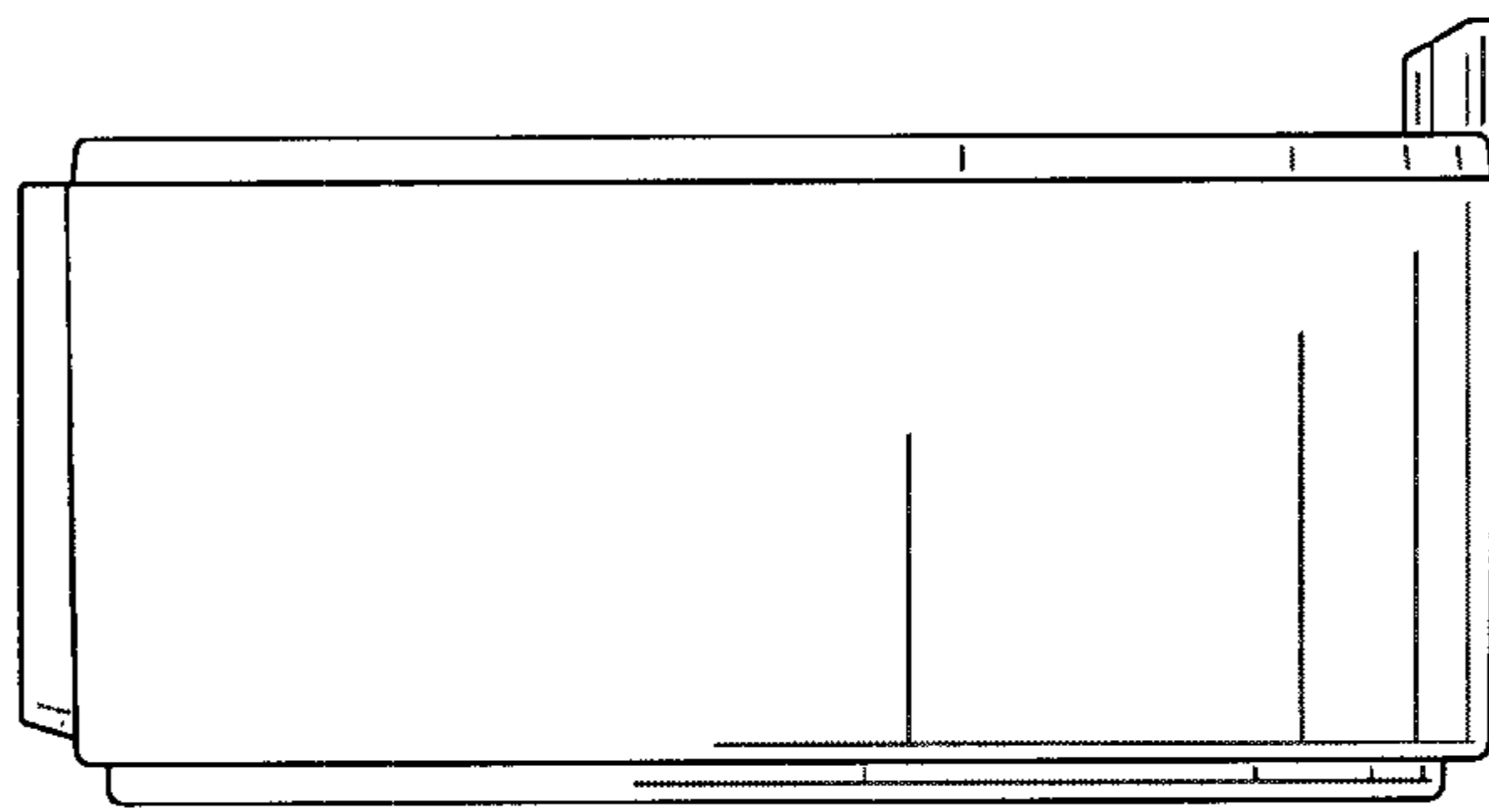


FIG. 2

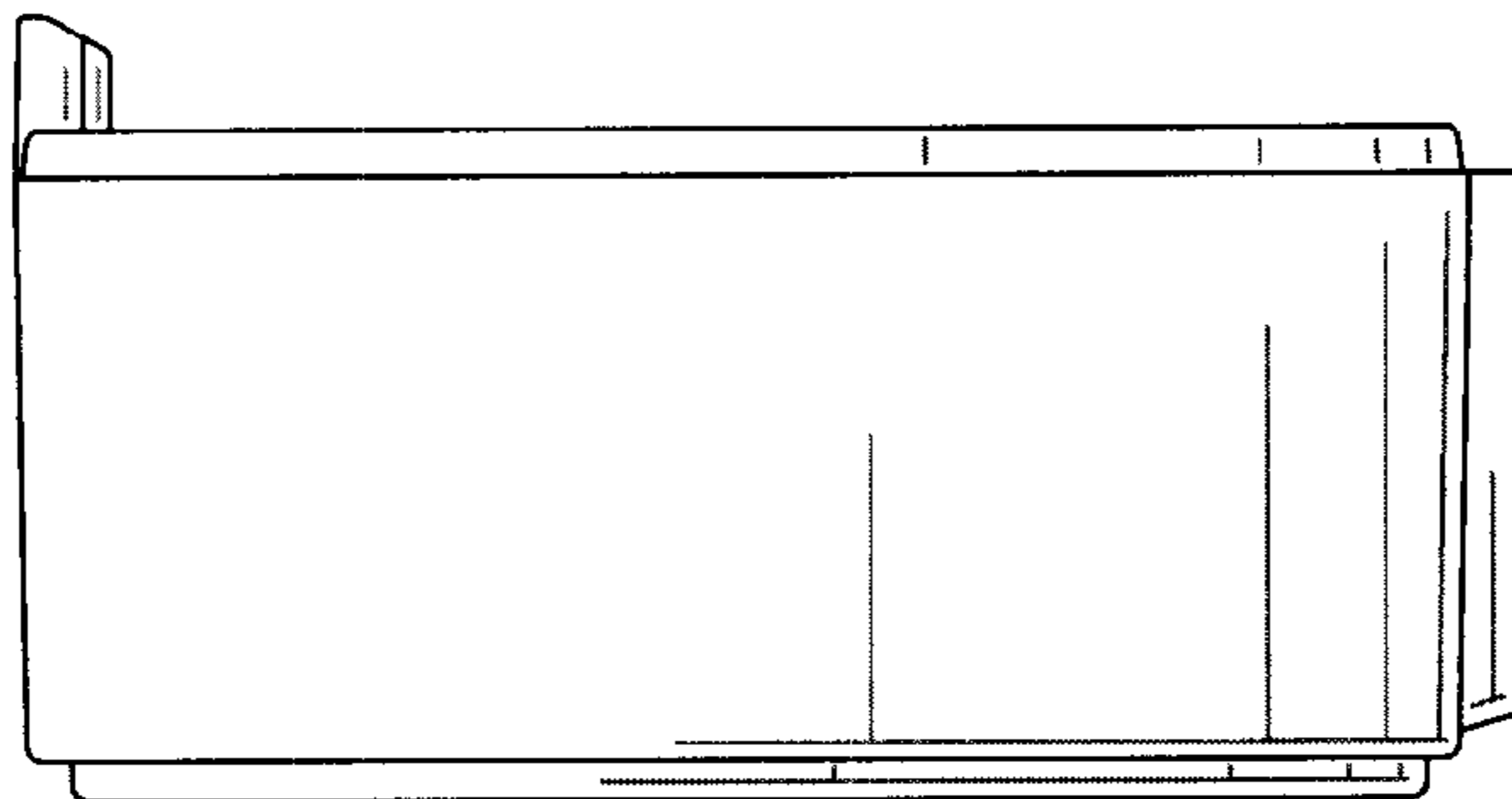


FIG. 3

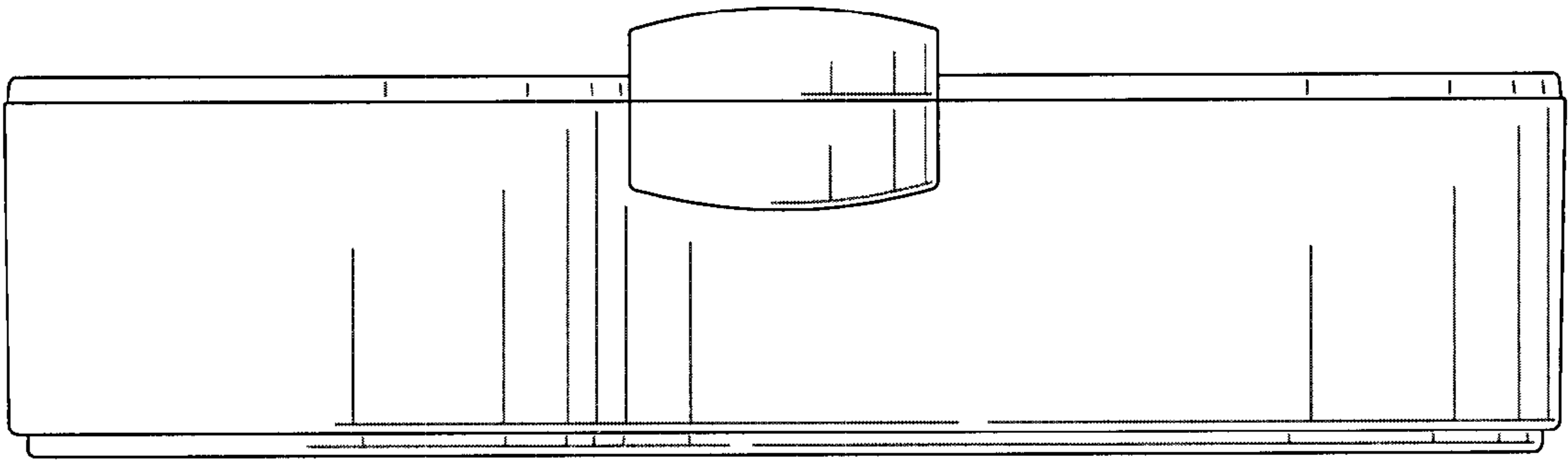


FIG. 4

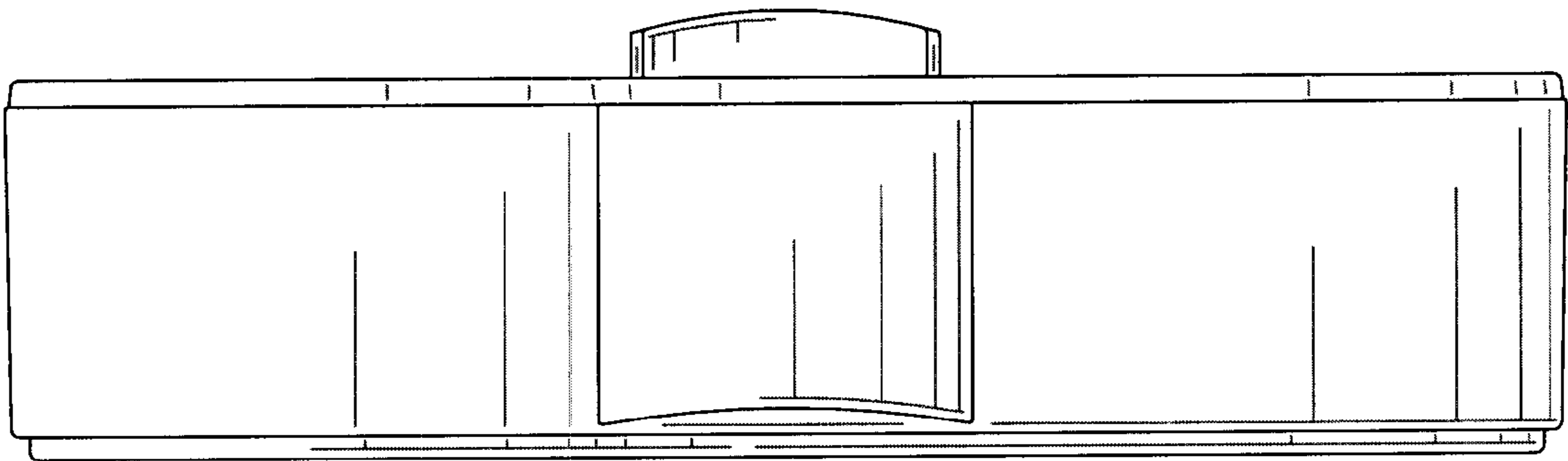


FIG. 5

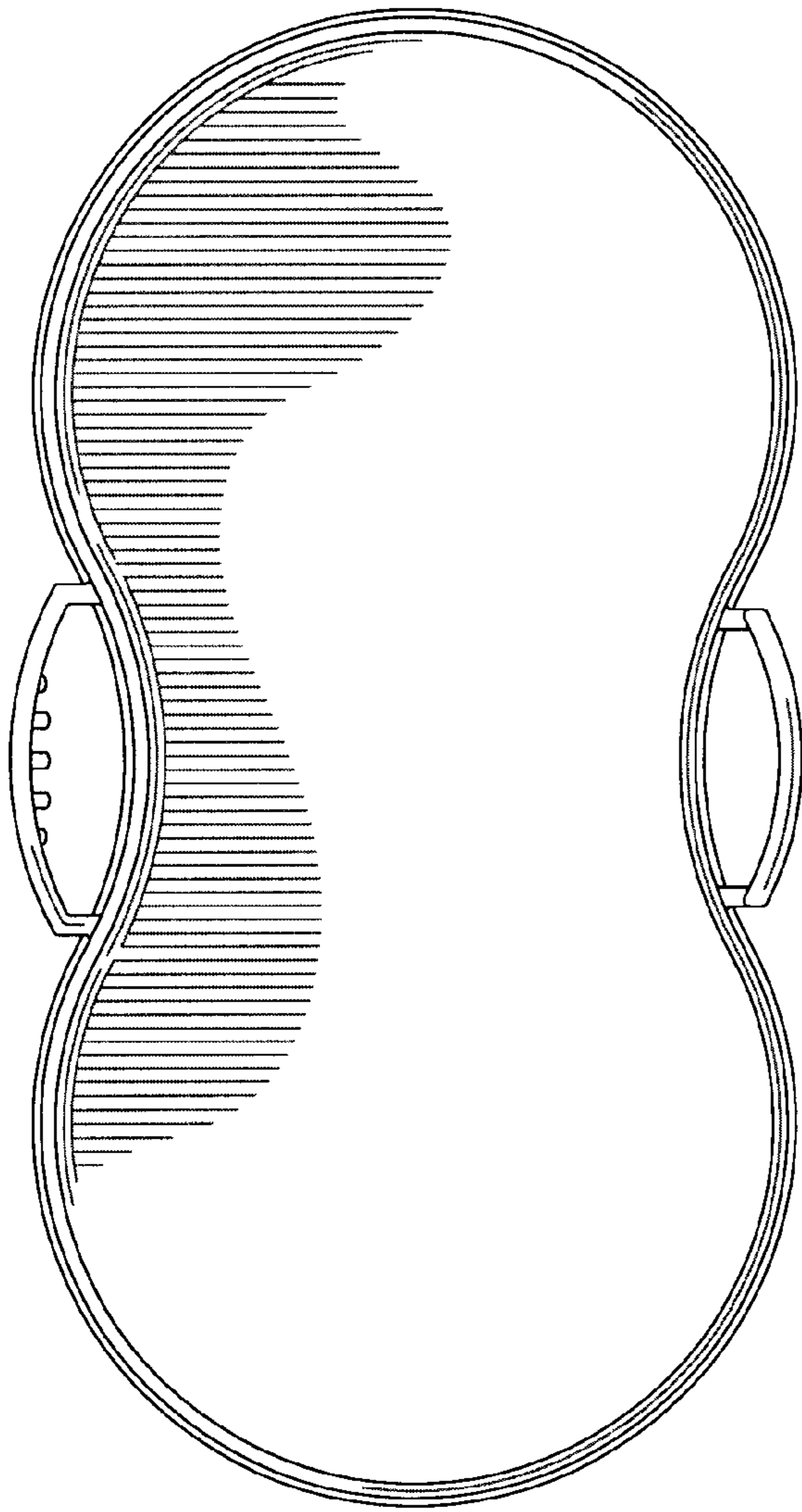


FIG. 6

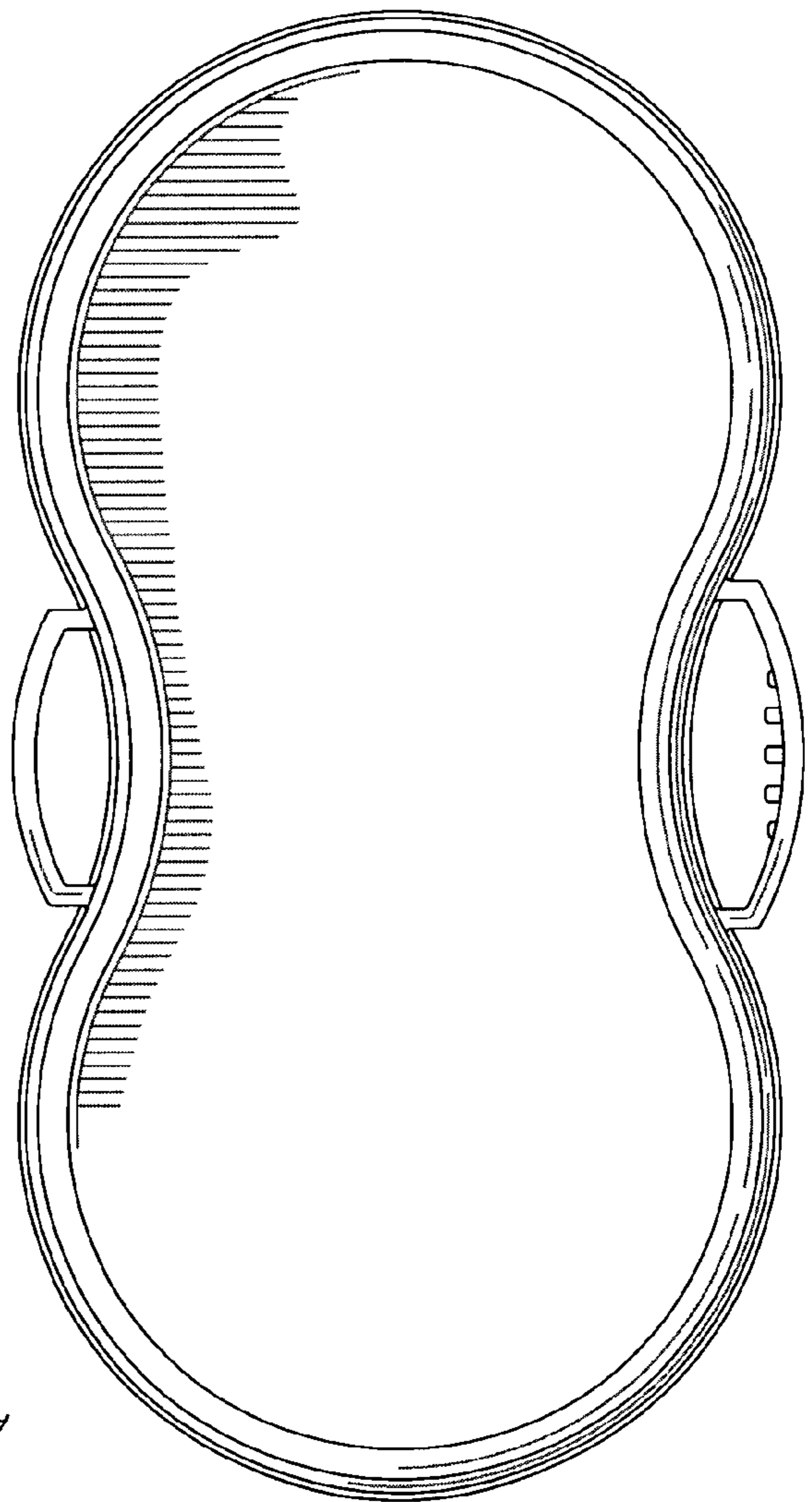


FIG. 7