



US00D462876S

(12) **United States Design Patent**  
**Janky et al.**

(10) **Patent No.: US D462,876 S**

(45) **Date of Patent: \*\* Sep. 17, 2002**

- (54) **CUP**
- (75) Inventors: **Gregory T. Janky**, Sammamish, WA (US); **Gary Hurlbut**, Seattle, WA (US)
- (73) Assignee: **Pacific Market, Inc.**, Seattle, WA (US)
- (\*\*) Term: **14 Years**

- 4,765,465 A 8/1988 Yamada et al.
- D319,557 S 9/1991 Unger
- D321,113 S 10/1991 Unger
- D394,187 S 5/1998 Orrico et al.
- D406,012 S 2/1999 Indeku
- D406,985 S 3/1999 Trombly
- D409,446 S 5/1999 St. John et al.
- D411,713 S 6/1999 Bridges
- D418,013 S \* 12/1999 Fujii ..... D7/510

(21) Appl. No.: **29/142,814**

(22) Filed: **Jun. 1, 2001**

(51) **LOC (7) Cl. .... 07-01**

(52) **U.S. Cl. .... D7/536; D7/510; D7/511**

(58) **Field of Search .... D7/536, 533, 523, D7/532, 509, 622; 215/398, 369, 6, 376, 10; 229/1.5 B; 220/719, 713, 669, 23.86, 703, 756**

(56) **References Cited**

**U.S. PATENT DOCUMENTS**

D78,171 S \* 4/1929 Stern ..... D7/536  
D100,850 S \* 8/1936 Cowan ..... D7/536  
D100,852 S 8/1936 Cowan  
D128,242 S \* 7/1941 Dolphin ..... D7/536  
D165,680 S 1/1952 Cowan  
D166,014 S 2/1952 Wright  
D170,409 S 9/1953 Hare  
D184,518 S \* 3/1959 Folley ..... D7/536  
D184,566 S \* 3/1959 Holzworth et al. .... D7/536  
2,895,636 A 7/1959 Martin  
D192,174 S \* 2/1962 Trombly ..... D7/536  
D194,053 S 11/1962 Cornelius  
D202,643 S \* 10/1965 Hoyt ..... D7/536  
3,224,629 A \* 12/1965 Cummings ..... 215/398  
3,313,447 A 4/1967 Spencer  
3,363,820 A 1/1968 Schilling  
D213,460 S 3/1969 Beckman et al.  
D224,623 S 8/1972 Ketcham et al.  
D225,792 S 1/1973 Fritsche et al.  
3,971,471 A 7/1976 Ludder  
D269,147 S 5/1983 Trombly  
D288,270 S \* 2/1987 Winterling ..... D7/536  
D288,397 S 2/1987 Unger

**OTHER PUBLICATIONS**

- Contemporary Classics, 1996 Centennial Olympic Collection, catalog, USA.
- The Thermos Company, Unbreakable Mugs JMC 250G, magazine, USA.
- The Thermos Company, Vacuum Insulated Mug JMJ 180/JMJ 350, magazine, USA.
- Highwave Incorporated, Highwave Designs for '95, catalog, USA.
- Pacific Market, Inc., (design sold at least as early as 1996).
- Pacific Market, Inc., (design sold at least as early as 1996).
- Pacific Market, Inc., (design sold at least as early as 1995).
- Pacific Market, Inc., (design sold at least as early as 1996).

\* cited by examiner

*Primary Examiner*—M. N. Pandozzi

(74) *Attorney, Agent, or Firm*—Richardson & Folise

(57) **CLAIM**

The ornamental design for a cup, as shown and described.

**DESCRIPTION**

FIG. 1 is a top, right perspective view of a cup showing our new design.

FIG. 2 is a right side elevational view of the design.

FIG. 3 is a rear elevational view of the design.

FIG. 4 is a left side elevational view of the design, the right side being a mirror image thereof.

FIG. 5 is a front elevational view of the design.

FIG. 6 is a top plan view of the design; and,

FIG. 7 is a bottom plan view of the design.

**1 Claim, 4 Drawing Sheets**



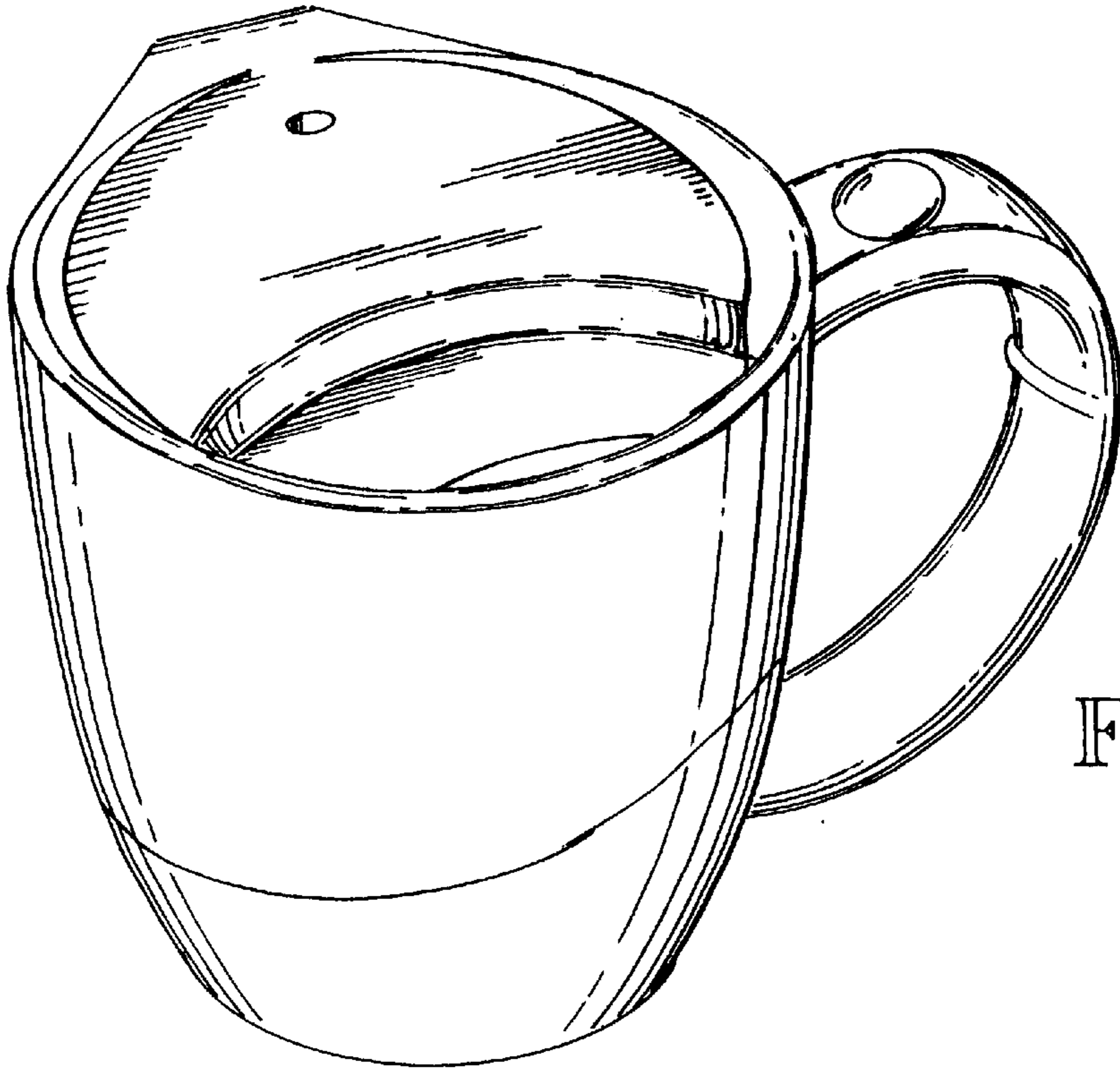


FIG. 1

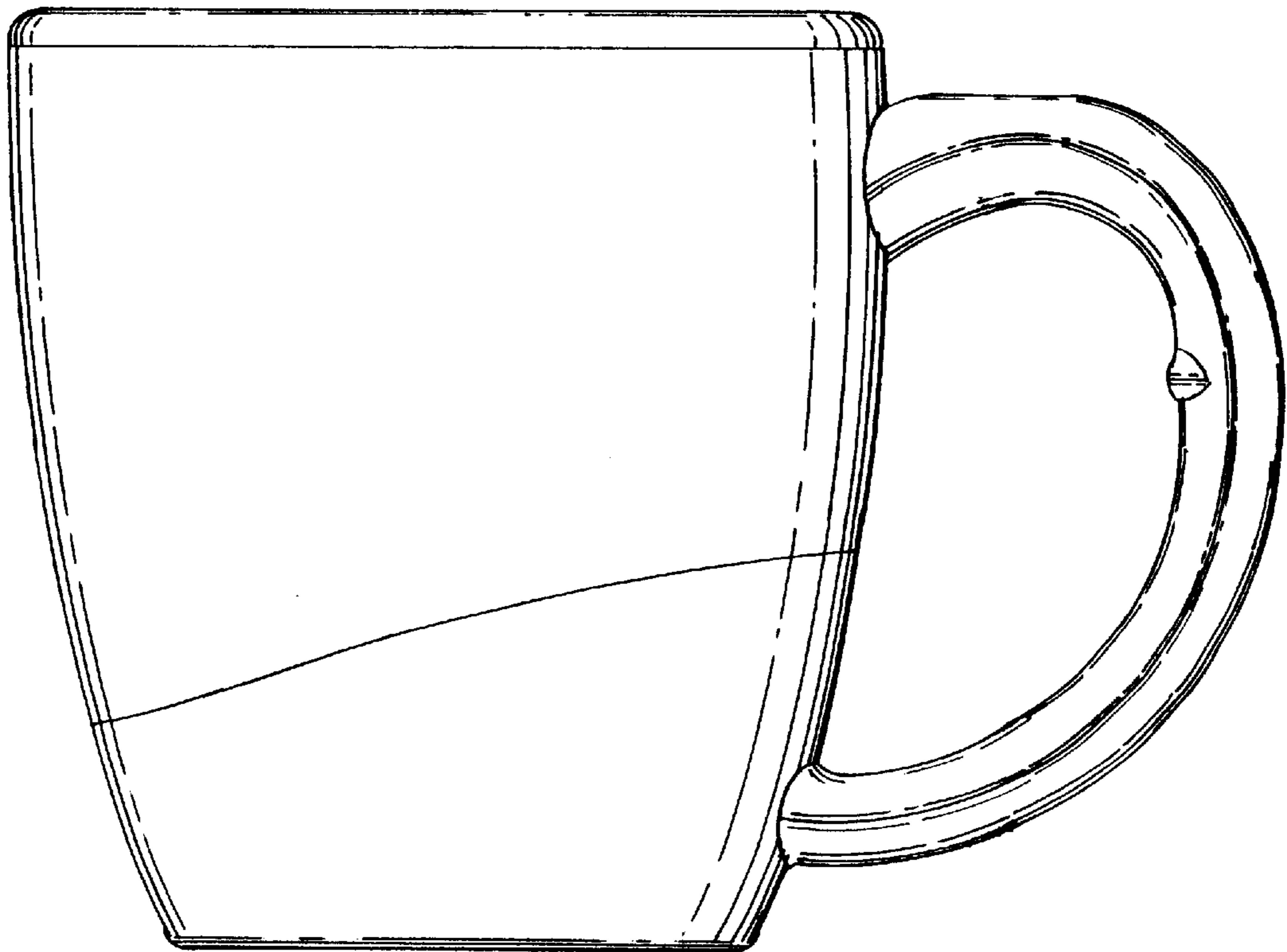


FIG. 2

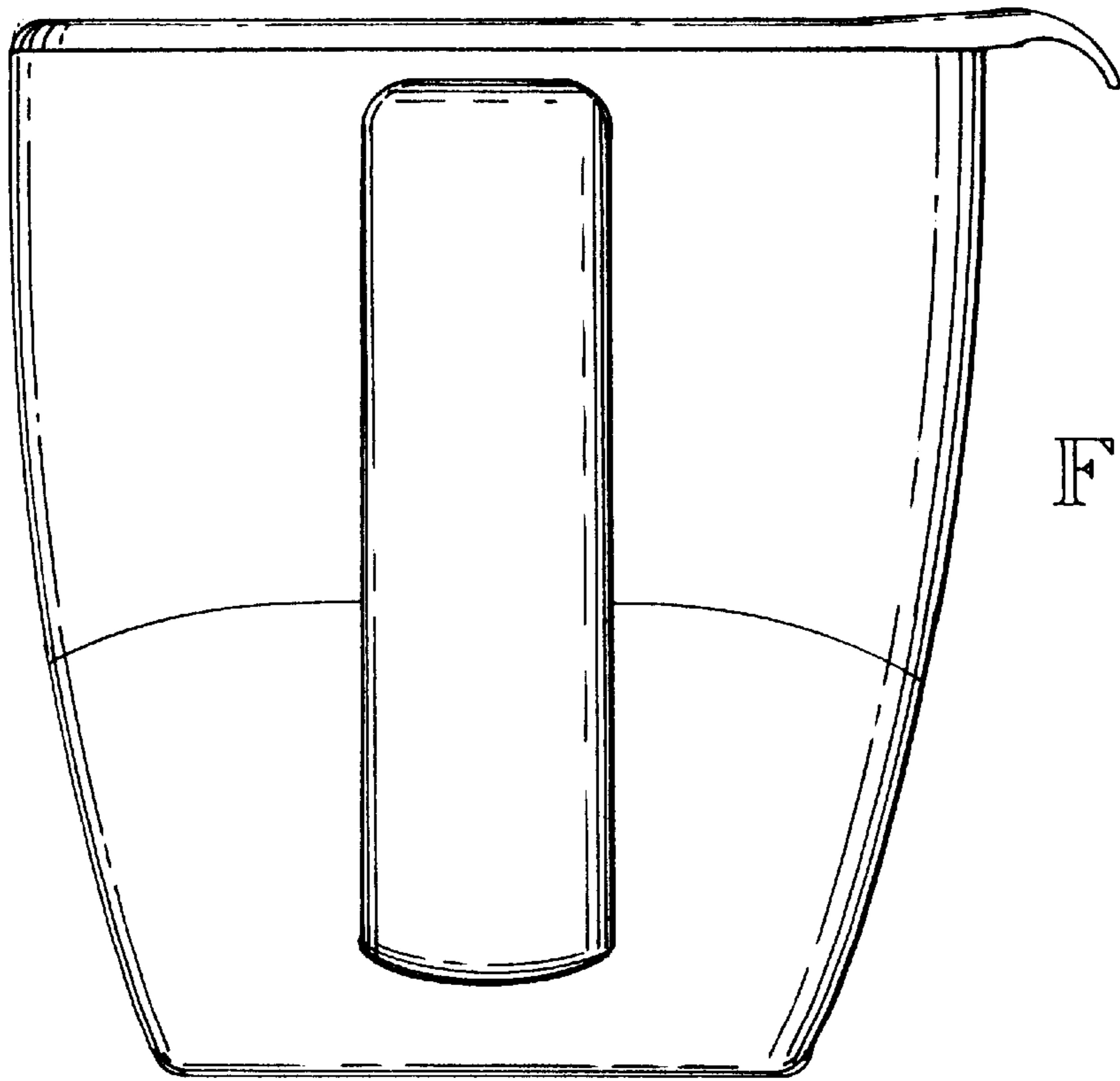


FIG. 3



FIG. 4

FIG. 5

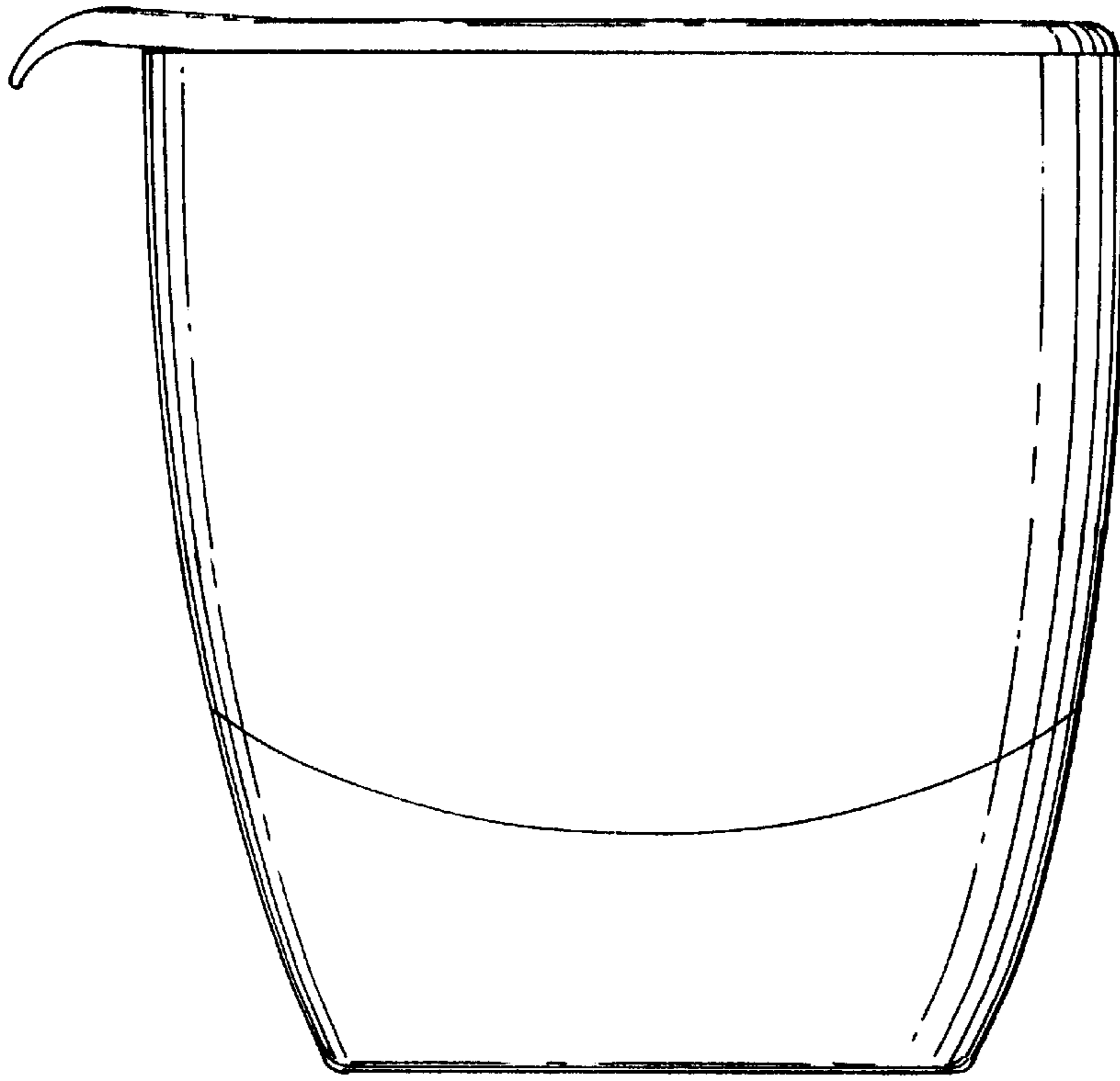


FIG. 6

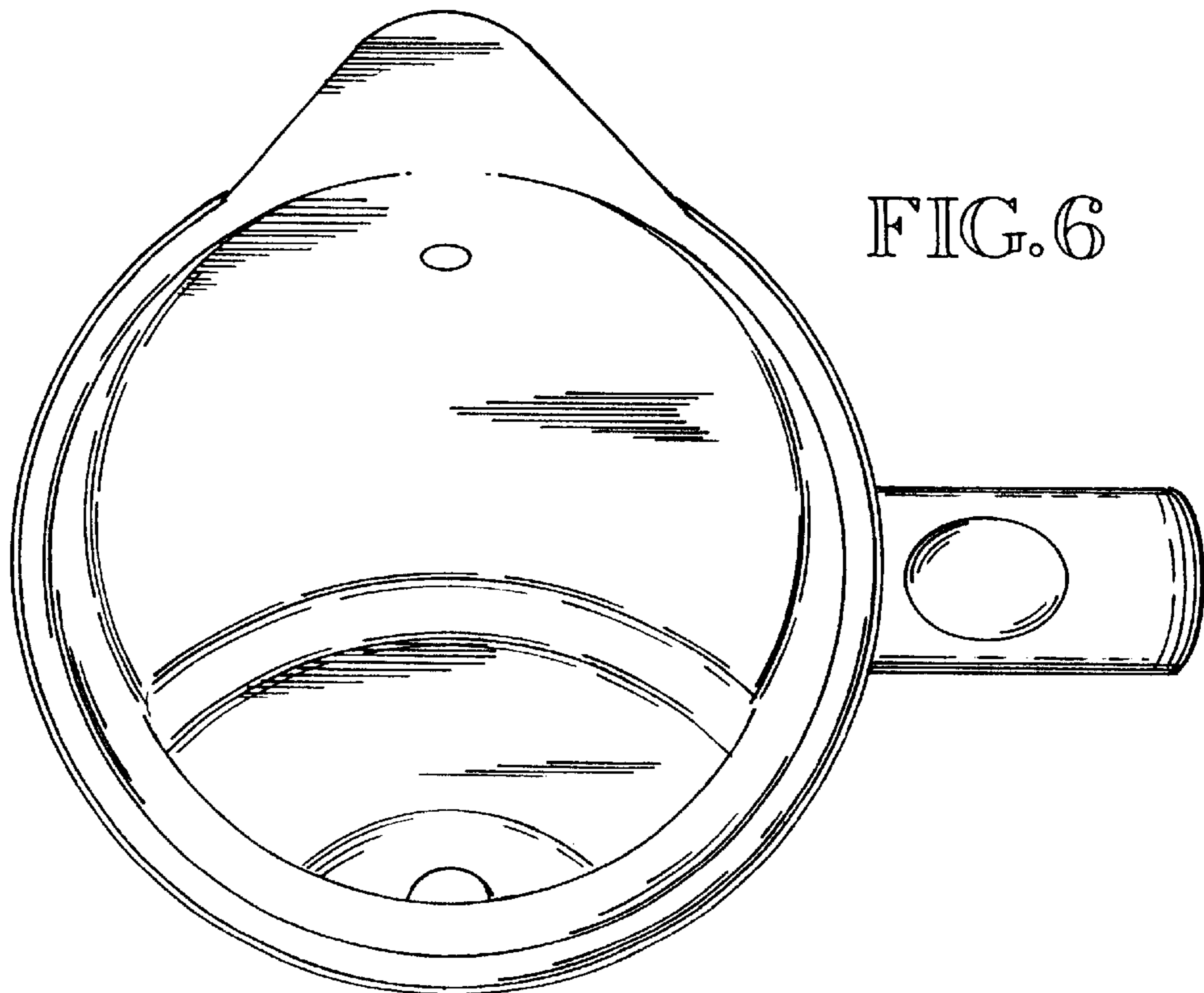


FIG. 7

