



US00D462871S

(12) **United States Design Patent**
Kramer et al.

(10) **Patent No.:** **US D462,871 S**

(45) **Date of Patent:** **** Sep. 17, 2002**

(54) **RESILIENT MUG HANDLE**

(76) Inventors: **Jeffrey A. Kramer**, 15959 NW. 15 Ave., Miami, FL (US) 33169; **William W. Rosenfeld**, 15959 NW. 15 Ave., Miami, FL (US) 33169

(**) Term: **14 Years**

(21) Appl. No.: **29/150,558**

(22) Filed: **Nov. 16, 2001**

(51) **LOC (7) Cl.** **07-01**

(52) **U.S. Cl.** **D7/394; D4/536; D4/396.2**

(58) **Field of Search** D7/536, 543, 393, D7/394, 396.2, 319, 395, 511, 515, 392; 229/402; 220/715, 713, 630, 729, 792; D8/DIG. 1, 316; 294/33; 215/320

(56) **References Cited**

U.S. PATENT DOCUMENTS

- D37,298 S * 1/1905 Maddock D7/511
- D101,958 S * 11/1936 Kogan D7/536
- 3,701,558 A * 10/1972 Baker 294/33
- D238,330 S * 1/1976 Ziskin D7/394
- D375,656 S * 11/1996 Wilson D7/515

- D380,956 S * 7/1997 Collins D8/316
- D405,317 S * 2/1999 Ehrlich D7/515
- D411,713 S * 6/1999 Bridges D7/536
- D433,277 S * 11/2000 Copeland D7/394
- D445,640 S * 7/2001 Cruz et al. D7/392

* cited by examiner

Primary Examiner—M. N. Pandozzi

(74) *Attorney, Agent, or Firm*—Malloy & Malloy, P.A.

(57) **CLAIM**

The ornamental design for a resilient mug handle, as shown and described.

DESCRIPTION

FIG. 1 is a front perspective view illustrating my design for a resilient mug handle;

FIG. 2 is a left side view of my design;

FIG. 3 is a rear view of my design;

FIG. 4 is a top view of my design;

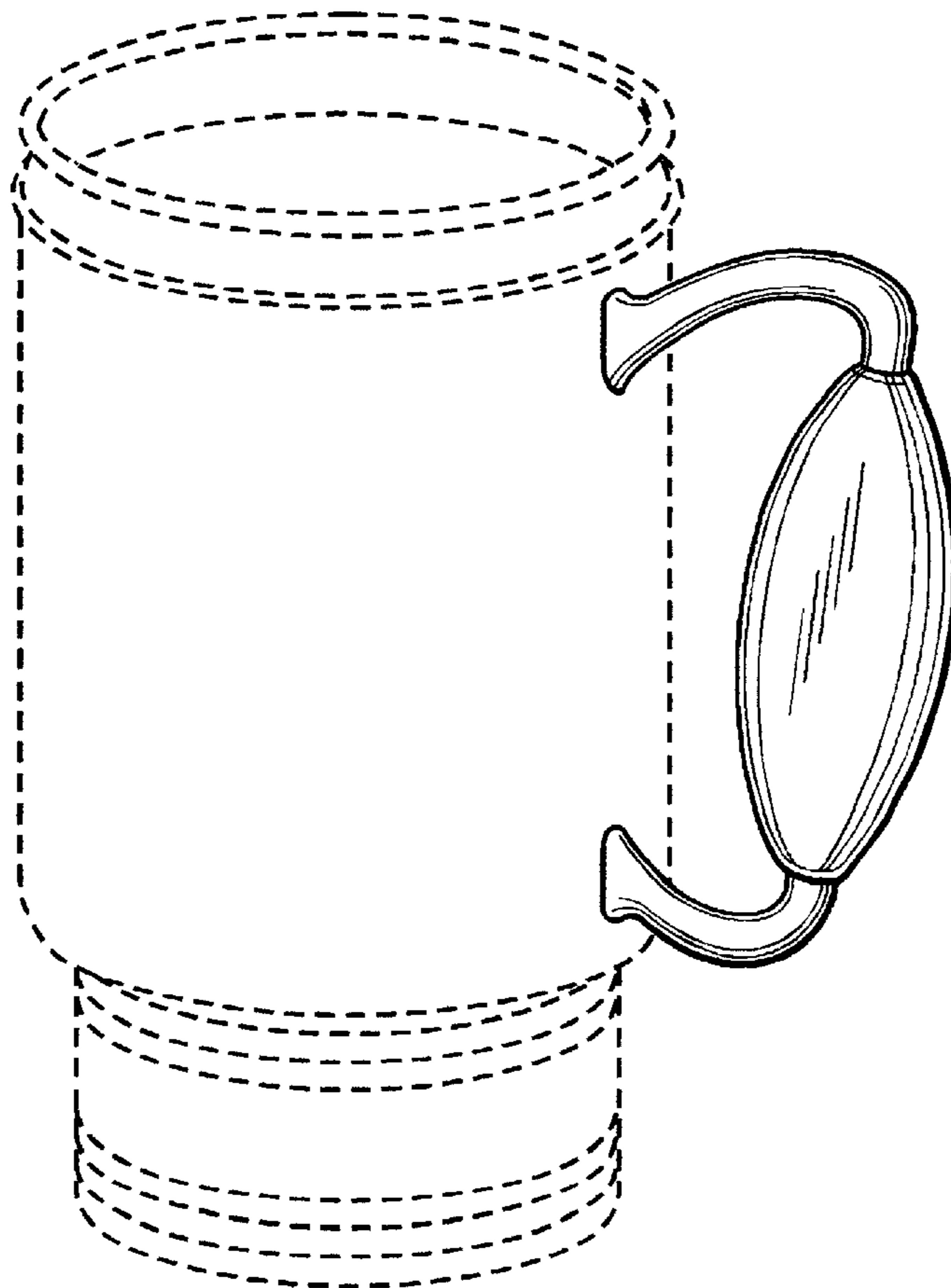
FIG. 5 is a front view of my design;

FIG. 6 is a bottom view of my design; and,

FIG. 7 is a right side view of my design.

The broken lines in FIGS. 1–7 are for illustrative purposes only and form no part of the claimed design.

1 Claim, 3 Drawing Sheets



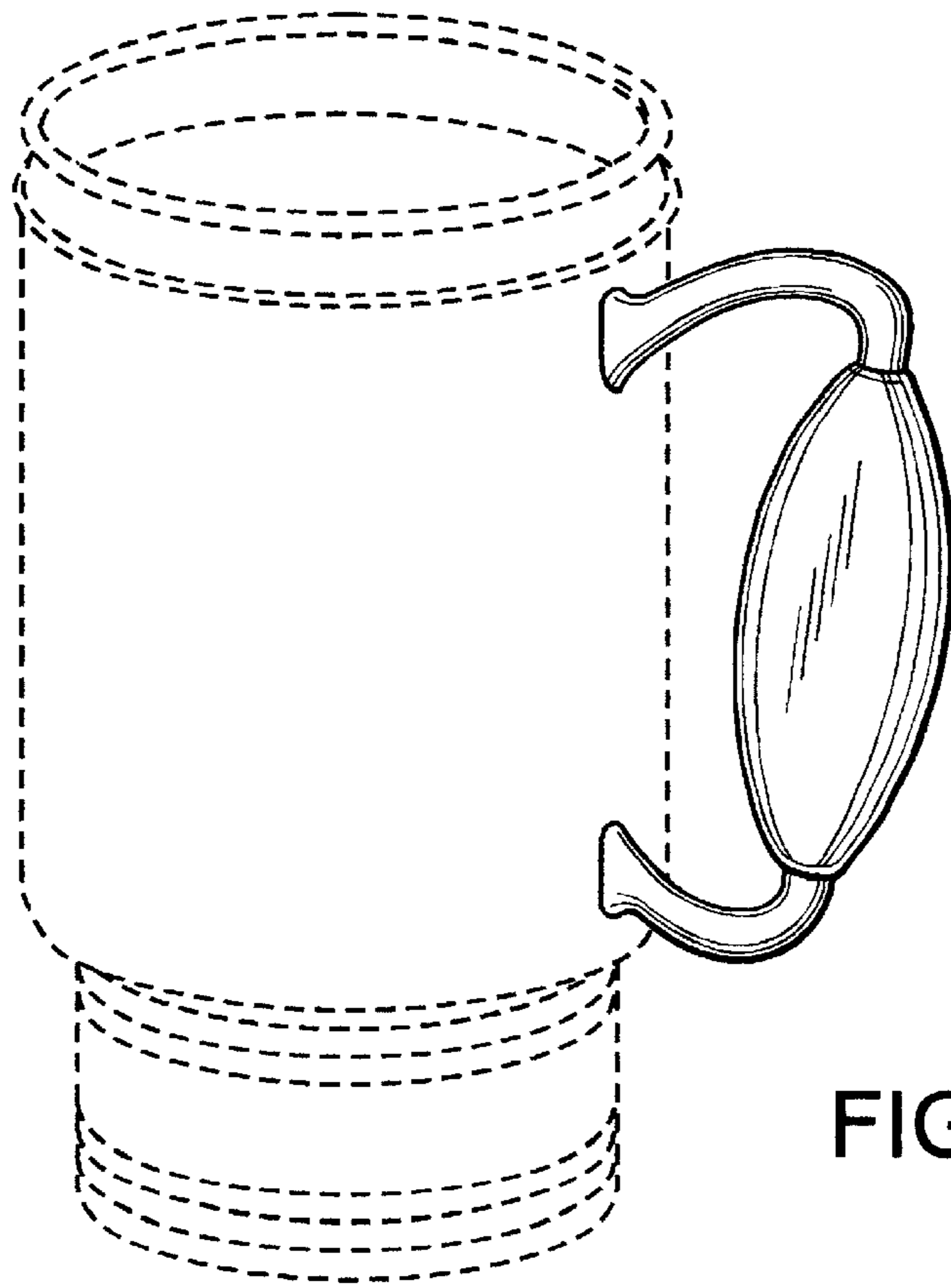


FIG. 1

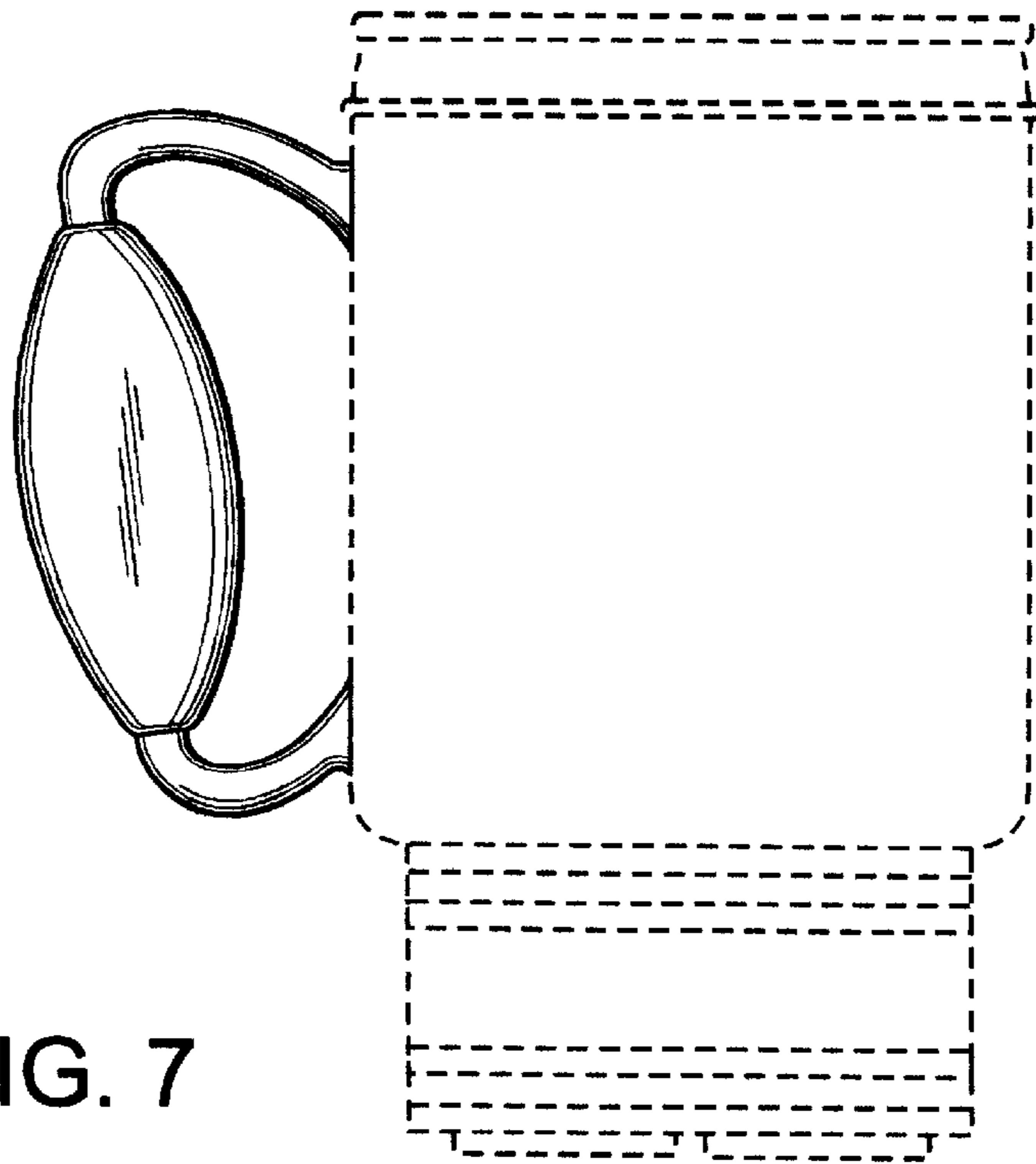


FIG. 7

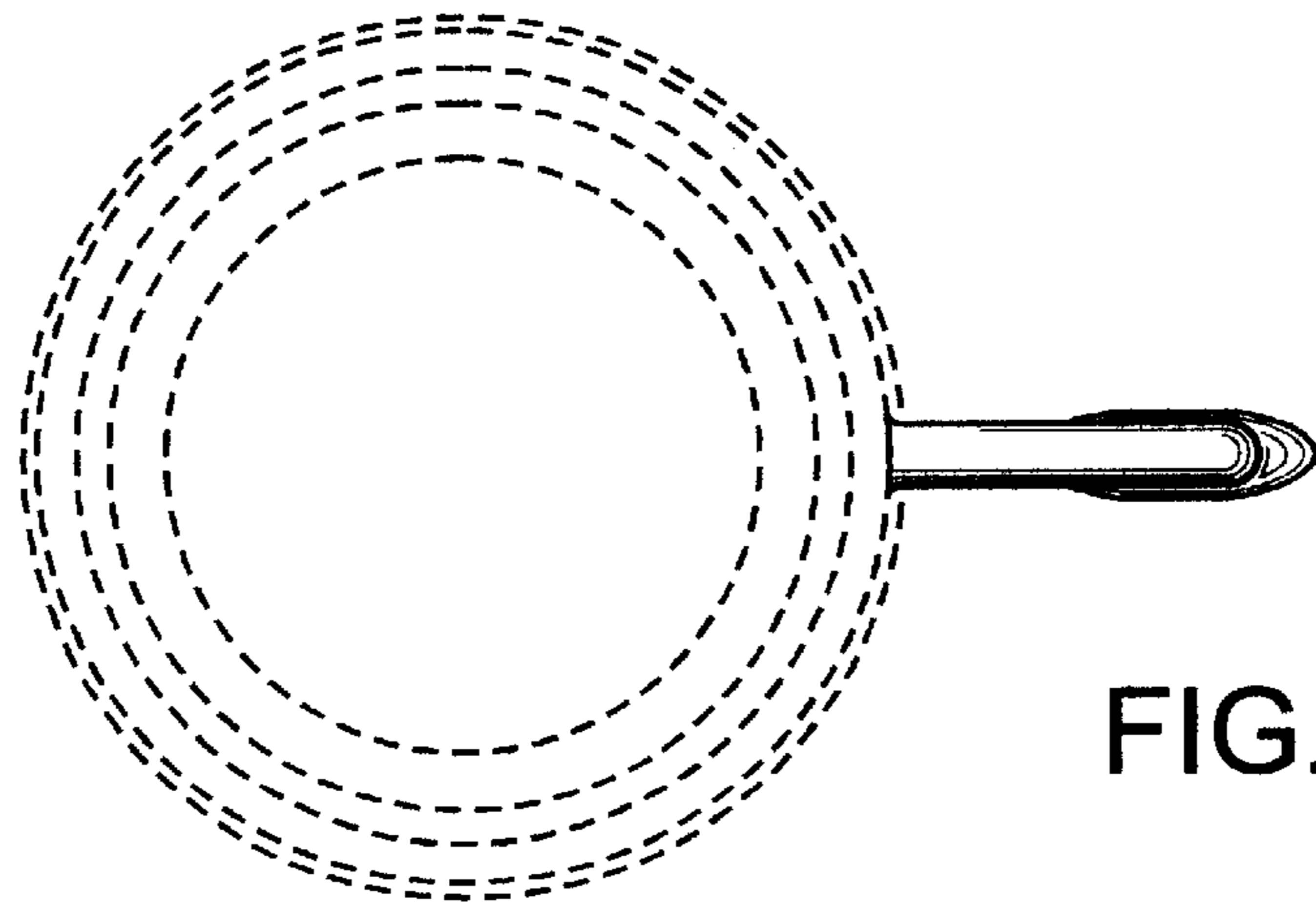


FIG. 4

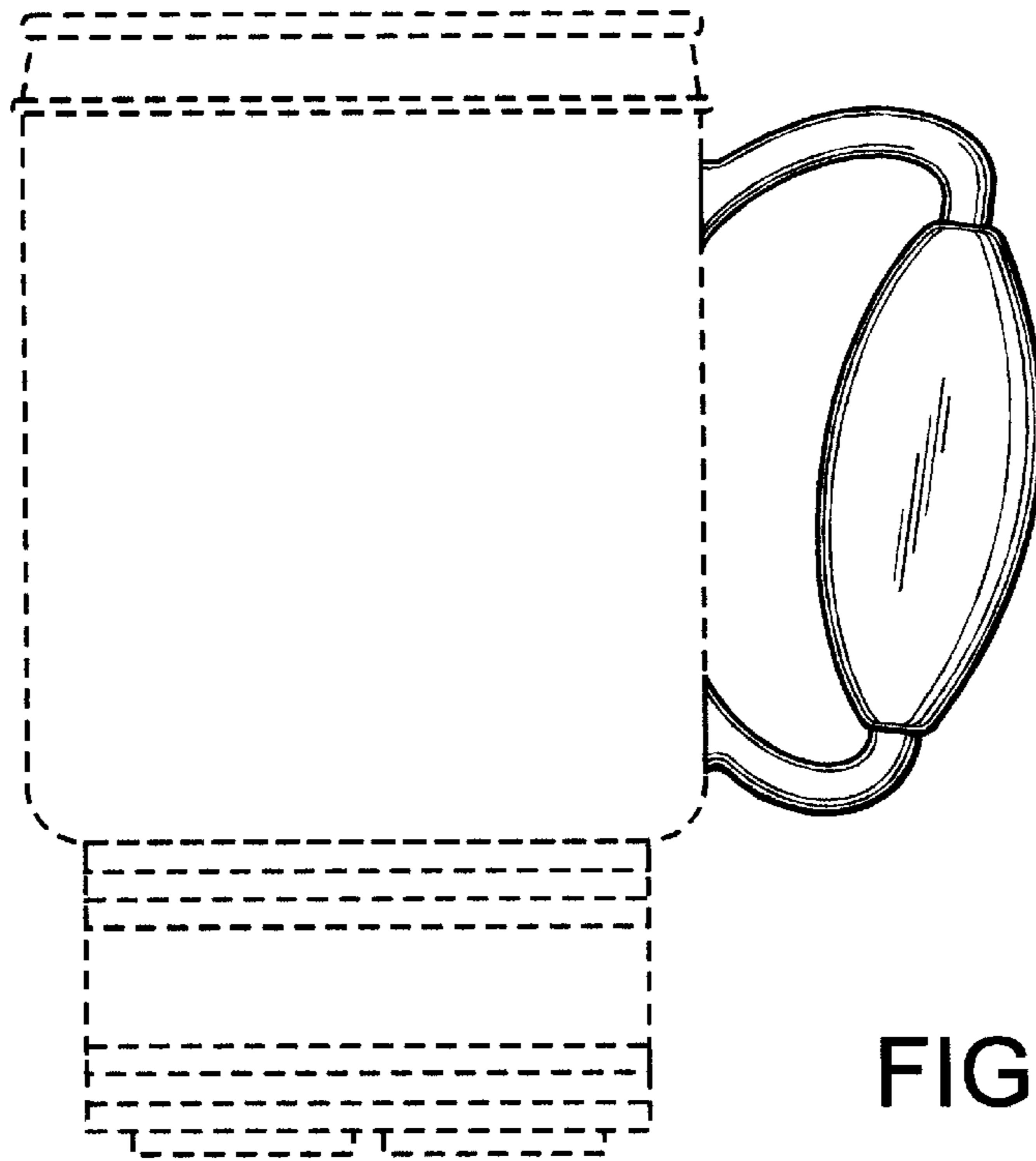


FIG. 2

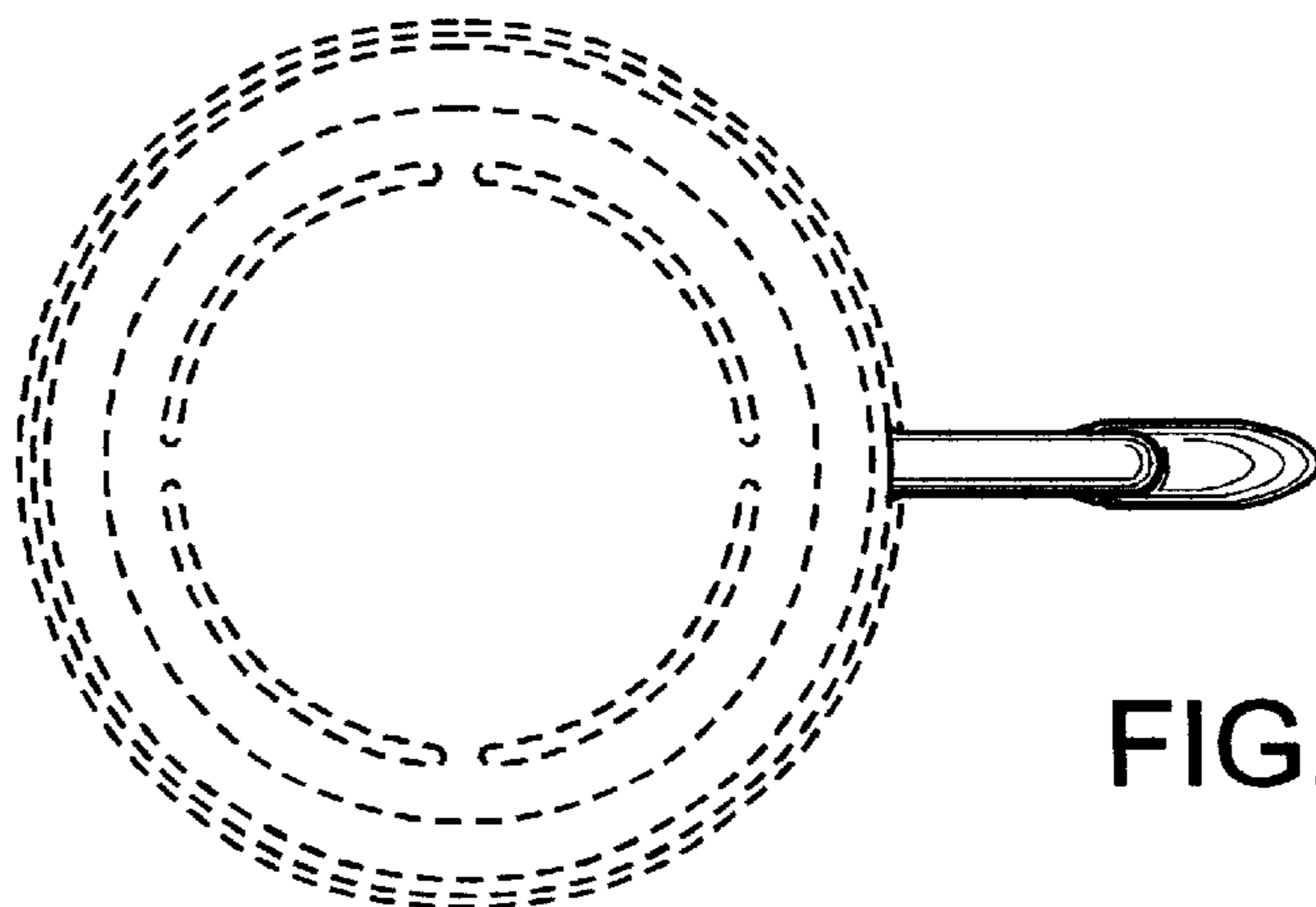


FIG. 6

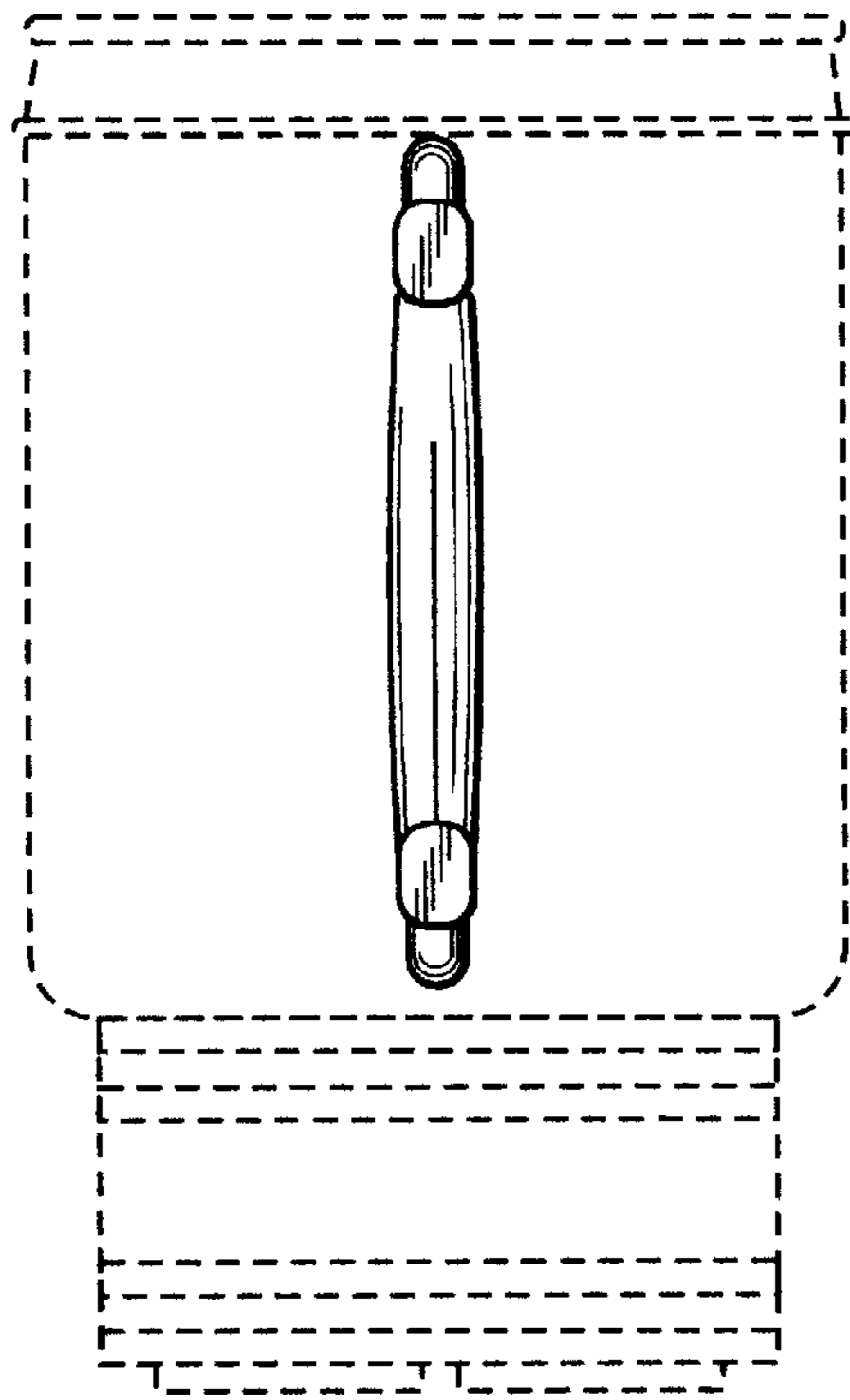


FIG. 3

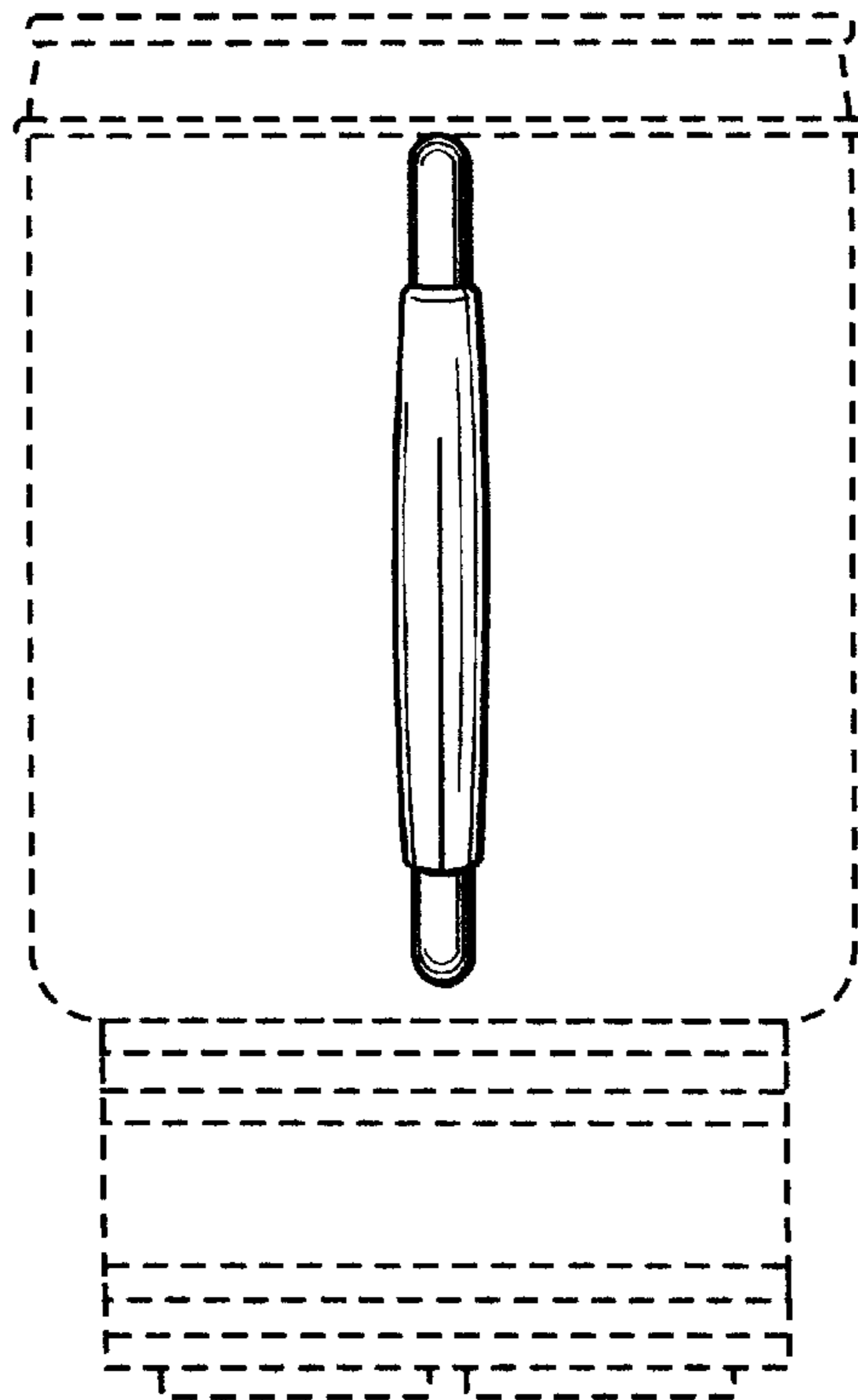


FIG. 5