



US00D462867S

(12) **United States Design Patent**
Resuello et al.

(10) **Patent No.:** **US D462,867 S**

(45) **Date of Patent:** **** Sep. 17, 2002**

(54) **DOUBLE OVEN**

D399,390 S * 10/1998 Baldwin D7/348

D423,287 S * 4/2000 Marchand D7/405

D424,862 S * 5/2000 Holbrook D7/349

(75) Inventors: **Ildefonso Resuello**, Portland, OR (US);
Jonathan Dalton, Portland, OR (US);
Dana Reinisch, Portland, OR (US);
Rafael Massei, Enciente, CA (US);
Aaron Hayes, Portland, OR (US);
James Owen, Portland, OR (US);
Charles L. Jones, Stevenville, MI
(US); **Philip Michael Thompson**, St.
Joseph, MI (US); **Tania L. Aldous**, St.
Joseph, MI (US); **Mark William**
Baldwin, St. Joseph, MI (US)

OTHER PUBLICATIONS

Thermador "Create" Catalog, copyright 1999. p. 27, Stain-
less Steel Double Oven.*

GE Appliances Product Guide 1999–2000. p. 30, GE Profile
Performance Series Ovens JT950SA.*

Whirlpool Gold Appliances Catalog, p. 6, Whirlpool Elec-
tric Built-In Ovens.*

* cited by examiner

Primary Examiner—Sandra L. Morris

(73) Assignee: **Whirlpool Corporation**, Benton
Harbor, MI (US)

(74) *Attorney, Agent, or Firm*—Robert O. Rice; Joel M. Van
Winkle; Stephen D. Krefman

(**) Term: **14 Years**

(57) **CLAIM**

(21) Appl. No.: **29/144,707**

The ornamental design of a double oven, as shown and
described.

(22) Filed: **Jul. 9, 2001**

DESCRIPTION

(51) **LOC (7) Cl.** **07-02**

(52) **U.S. Cl.** **D7/349; D7/405**

(58) **Field of Search** D7/339, 348, 349,
D7/402, 405; 126/19 R, 198, 273 R, 273 S,
275 R, 275 E, 273 A, 200

FIG. 1 is a frontal perspective view of the design of the front
panel and doors of a built-in double oven showing the new
design;

FIG. 2 is a front elevational view thereof;

FIG. 3 is a top plan view thereof; and,

FIG. 4 is a right side elevational view thereof.

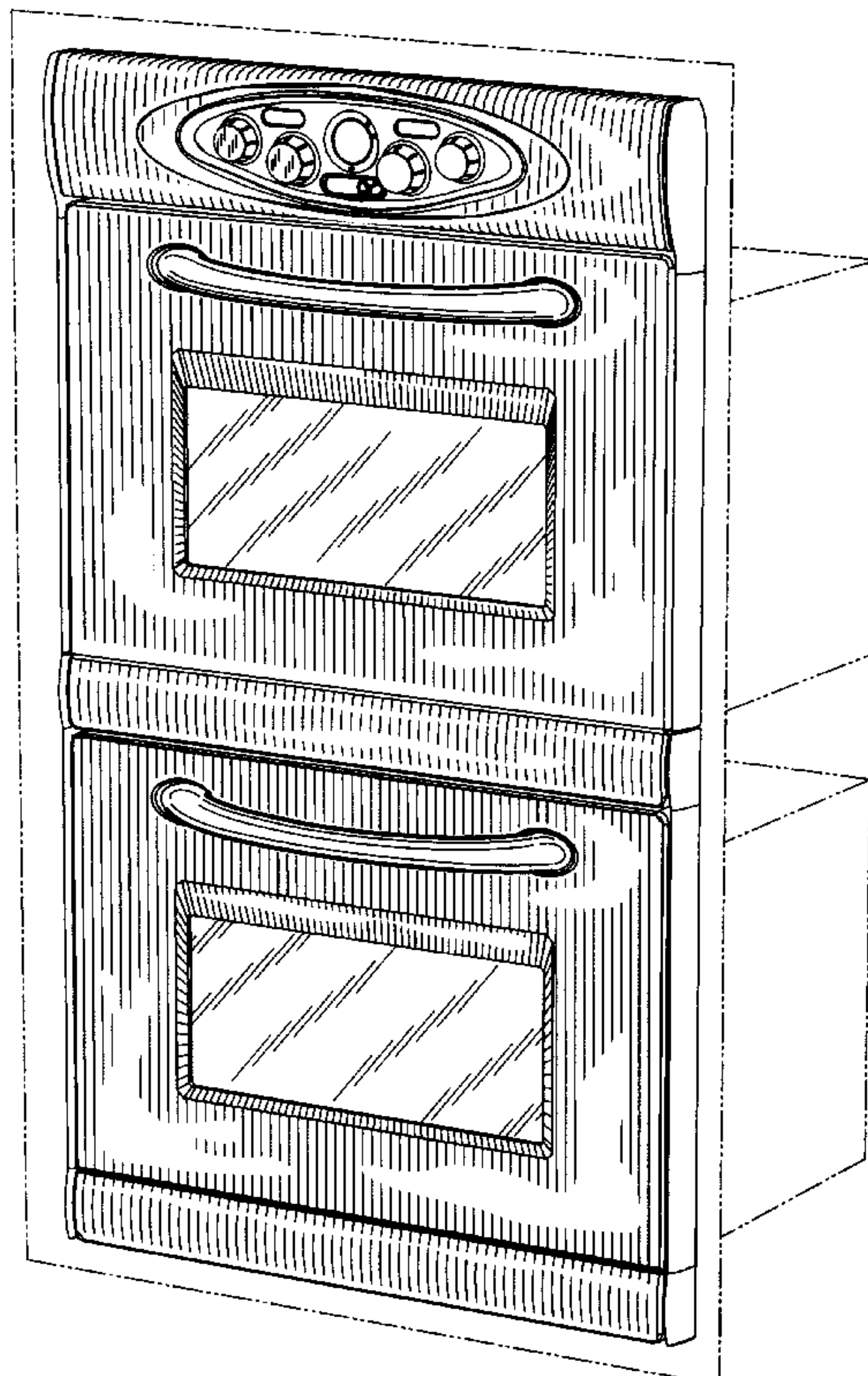
The broken line showing is for illustrative purposes only and
forms no part of the claimed design.

(56) **References Cited**

U.S. PATENT DOCUMENTS

D379,734 S * 6/1997 Baldwin D7/405

1 Claim, 4 Drawing Sheets



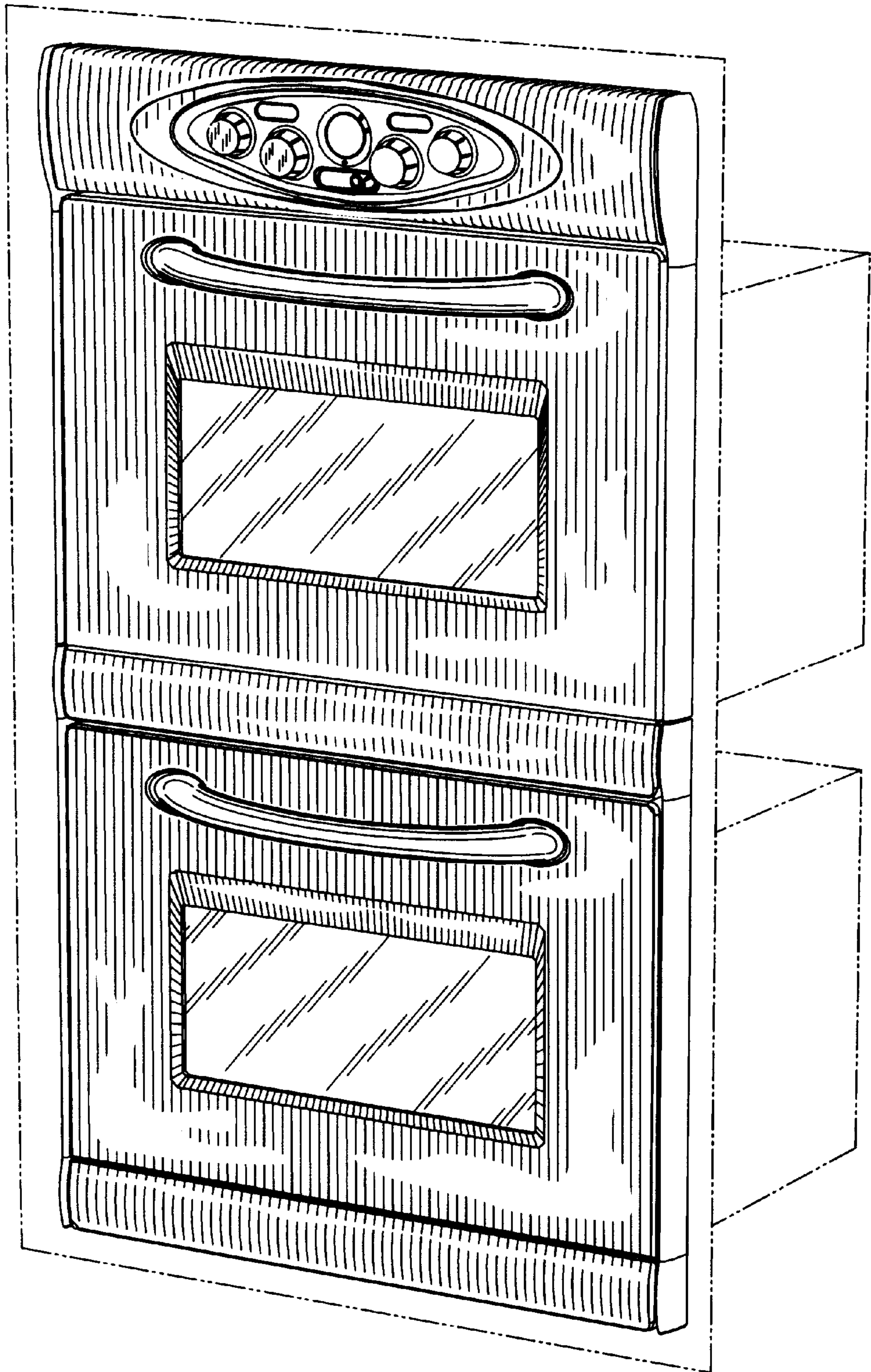


Fig. 1

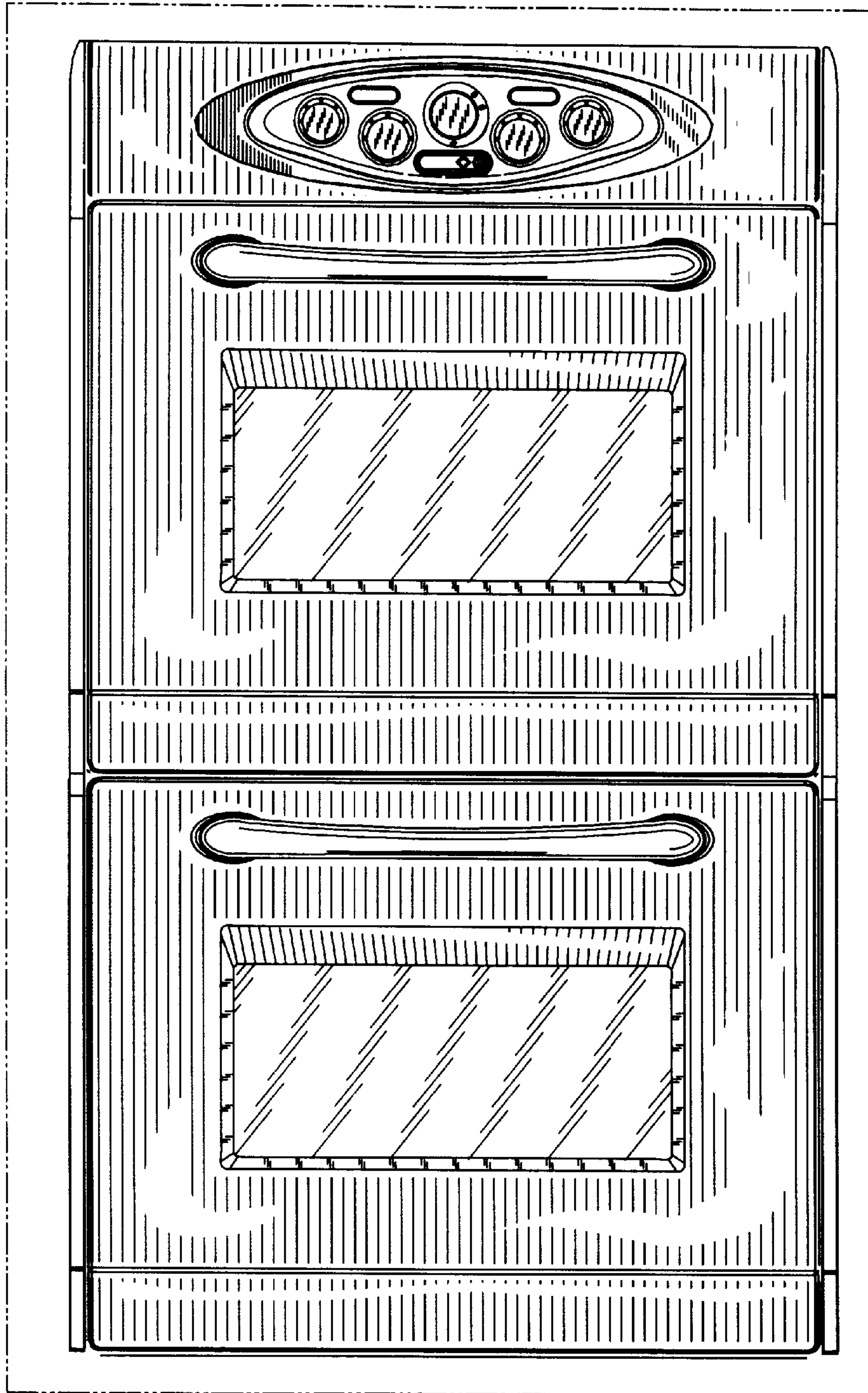


Fig. 2

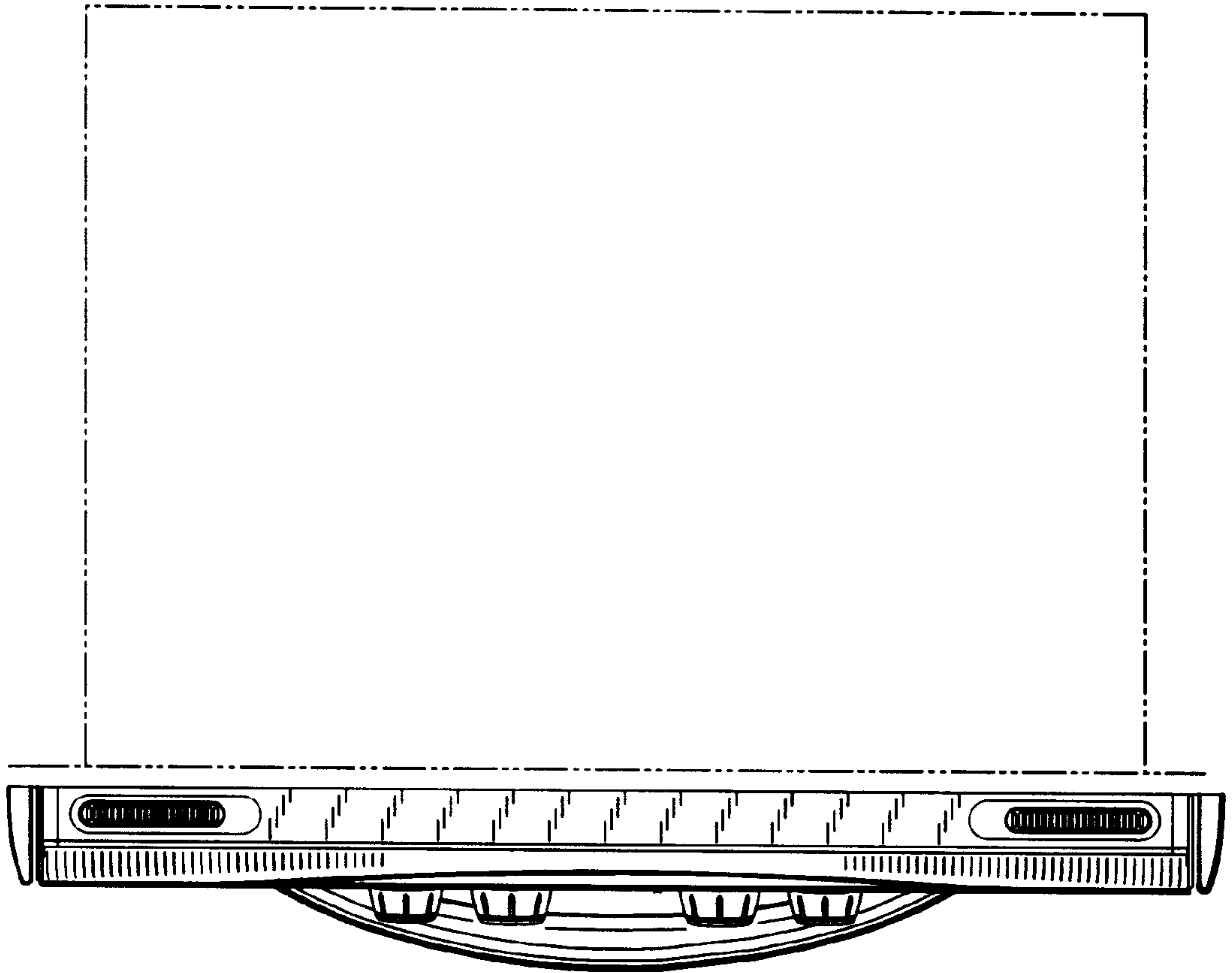


Fig. 3

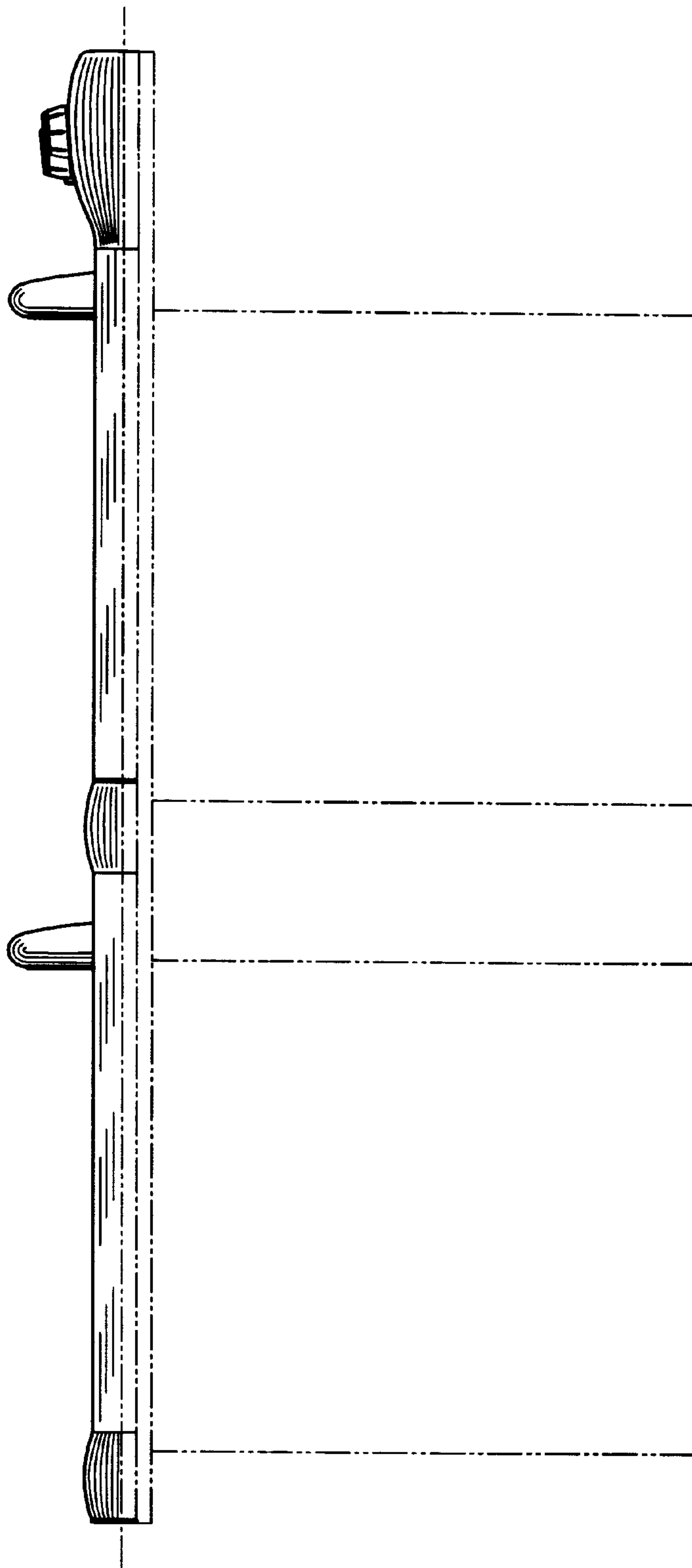


Fig. 4