



US00D462866S

(12) **United States Design Patent**
Resuello et al.

(10) **Patent No.: US D462,866 S**

(45) **Date of Patent: ** Sep. 17, 2002**

(54) **COOKTOP**

(75) Inventors: **Ildefonso Resuello**, Portland, OR (US);
Jonathan Dalton, Portland, OR (US);
Dana Reinisch, Portland, OR (US);
Raffaele Mazzei, Enceinte, CA (US);
Aaron Hayes, Portland, OR (US);
James Owen, Portland, OR (US);
Charles L. Jones, Stevensville, MI (US);
Timothy Edward McKeown, St. Joseph, MI (US);
Allen D. Wong, St. Joseph, MI (US);
Daniel Henry Quinlan, Stevensville, MI (US)

(73) Assignee: **Whirlpool Corporation**, Benton Harbor, MI (US)

(**) Term: **14 Years**

(21) Appl. No.: **29/152,932**

(22) Filed: **Oct. 23, 2001**

(51) **LOC (7) Cl. 07-02**

(52) **U.S. Cl. D7/346**

(58) **Field of Search** D7/346, 347, 402,
D7/407, 408, 409; 126/39 B, 211, 217,
218, 214 C, 214 R, 215, 216, 152 R; 219/460.1,
506

(56) **References Cited**

U.S. PATENT DOCUMENTS

D230,390 S * 2/1974 Tyke et al. D7/346

5,261,387 A * 11/1993 Gressenich 126/214 R
D384,239 S * 9/1997 Wilsdorf D7/346
D396,989 S * 8/1998 Deo et al. D7/346
6,257,228 B1 * 7/2001 Braccini 126/211
D451,332 S * 12/2001 Busalt D7/346
6,339,212 B1 * 1/2002 Campbell 219/460.1

OTHER PUBLICATIONS

Thermador "Create" Catalog 1999. p. 38, 30" Ceramic Radiant Cooktop.*

GE Appliances Product Guide 1999-2000. p. 43, GE Profile cooktop.*

* cited by examiner

Primary Examiner—Sandra L. Morris

(74) *Attorney, Agent, or Firm*—Stephen Krefman; Robert O. Rice; Joel M. Van Winkle

(57) **CLAIM**

The ornamental design for a cooktop, as shown and described.

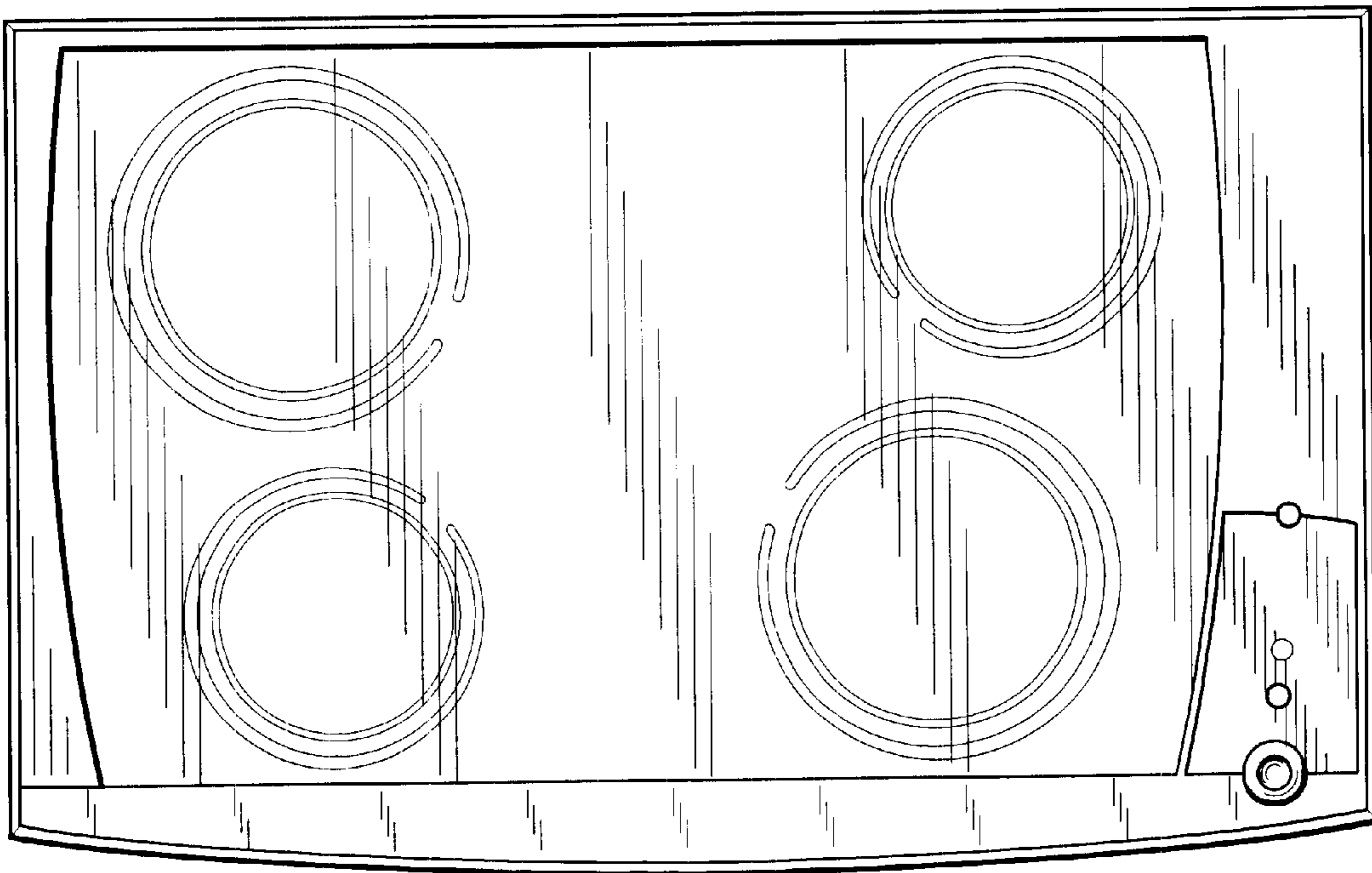
DESCRIPTION

FIG. 1 is a top plan view of the cooktop showing our new design

FIG. 2 is a front perspective view thereof; and,

FIG. 3 is a rear perspective view.

1 Claim, 2 Drawing Sheets



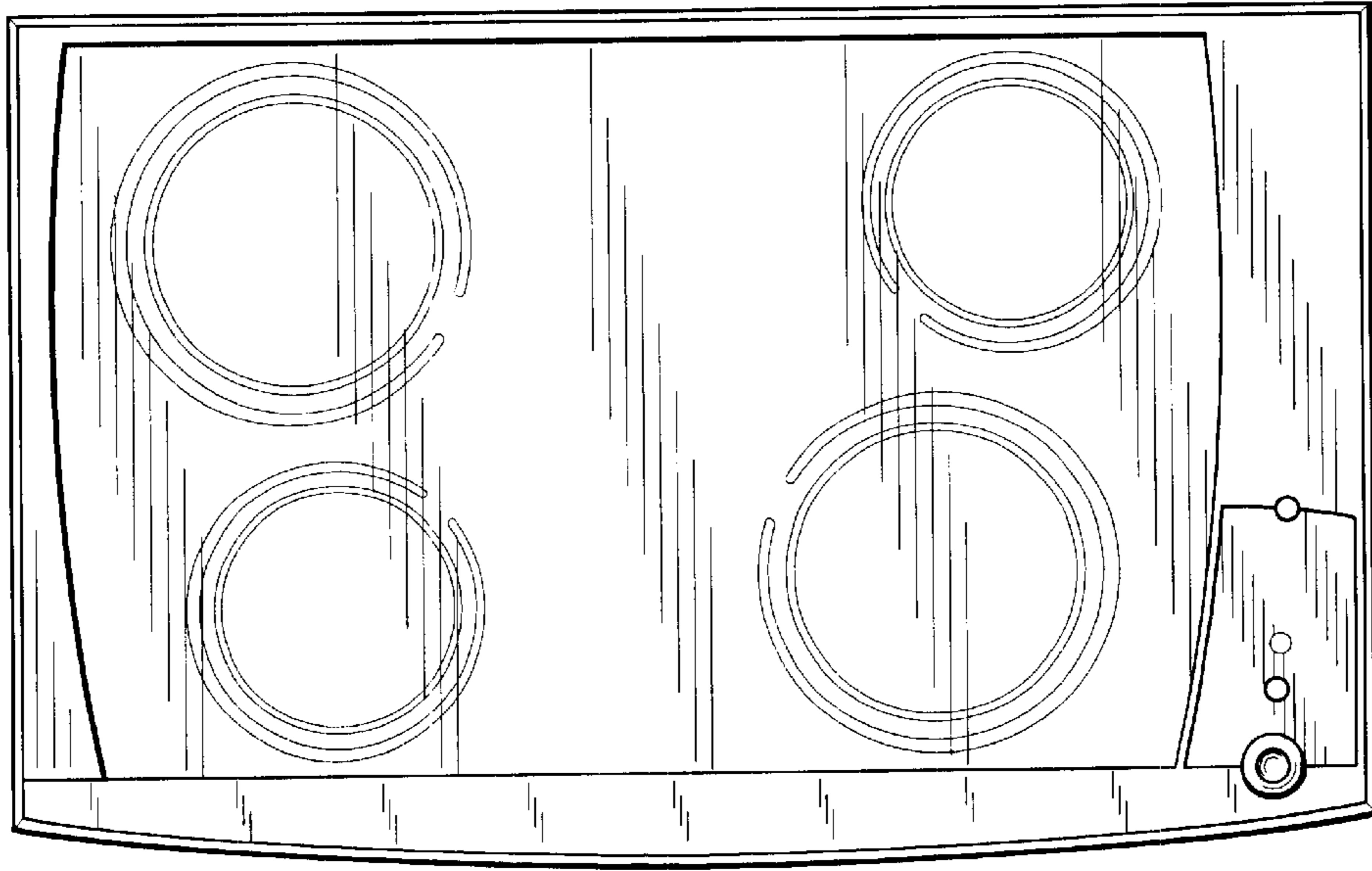


Fig. 1

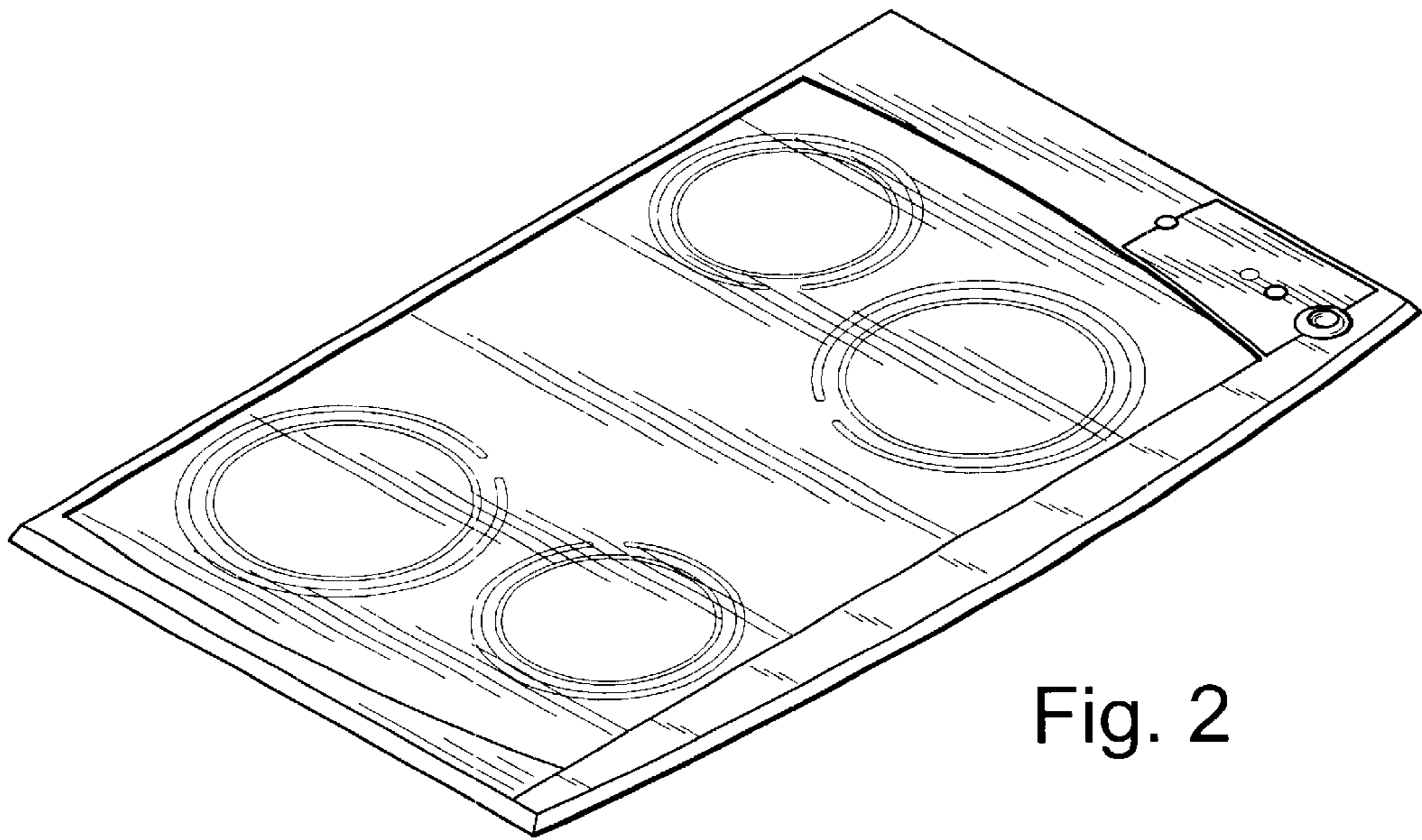


Fig. 2

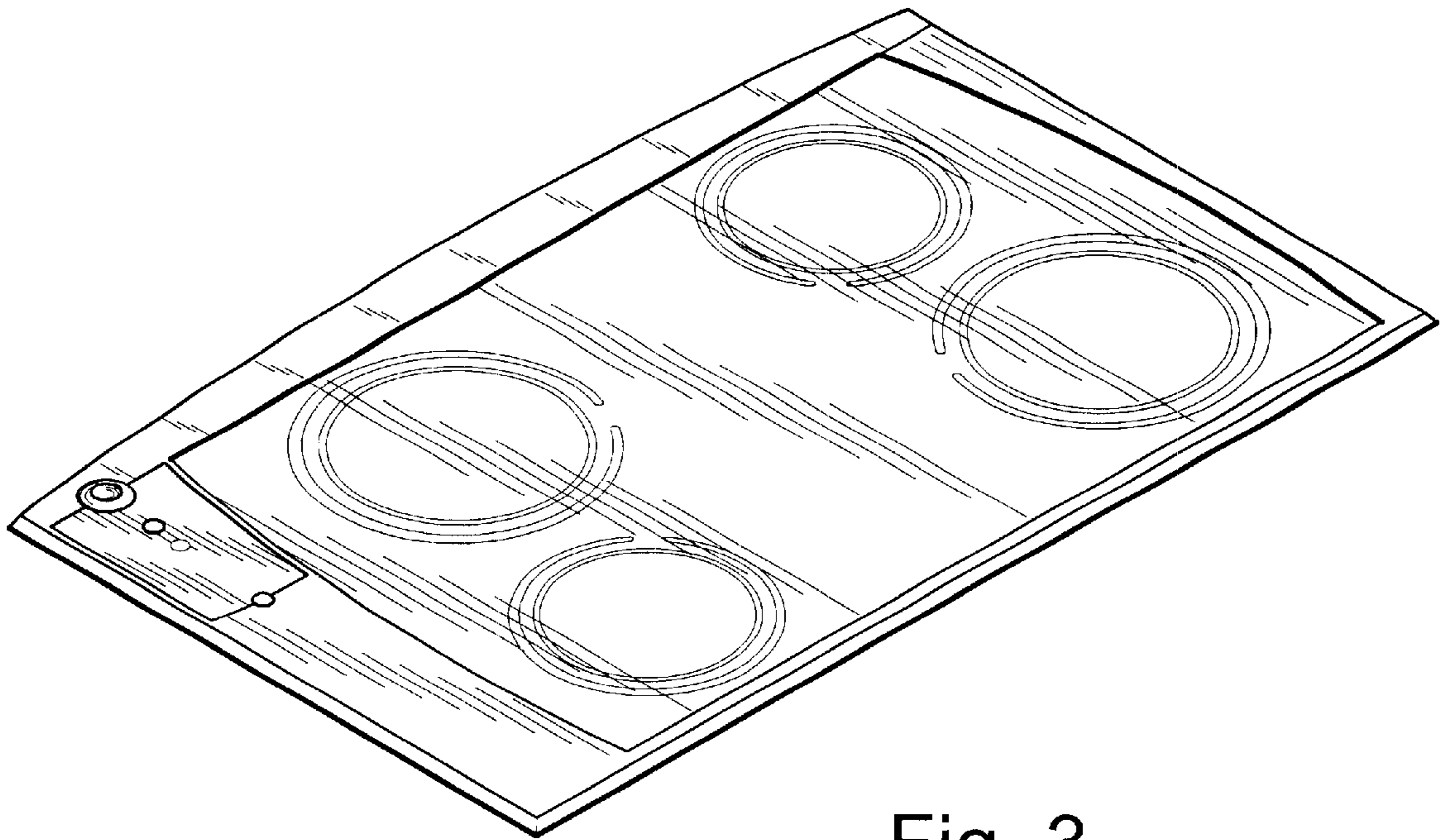


Fig. 3