



US00D462860S

(12) **United States Design Patent**
Orlando

(10) **Patent No.:** **US D462,860 S**

(45) **Date of Patent:** **** Sep. 17, 2002**

(54) **PLASTIC BAG DISPENSER**

(76) Inventor: **Carlo Orlando**, 7411 Ebro Rd.,
Englewood, FL (US) 34224-8449

(**) Term: **14 Years**

(21) Appl. No.: **29/149,089**

(22) Filed: **Oct. 3, 2001**

(51) **LOC (7) Cl.** **20-02**

(52) **U.S. Cl.** **D6/518**

(58) **Field of Search** D6/512, 515, 517,
D6/518; 221/45, 282, 283; 222/173, 180,
181.1; 242/588.6

(56) **References Cited**

U.S. PATENT DOCUMENTS

3,865,323	A	*	2/1975	Stronge et al.	242/588.6
D247,465	S	*	3/1978	Ford	D6/523
D272,021	S	*	1/1984	Ruff	D6/518
D362,145	S	*	9/1995	Nolen	D6/523
D419,803	S	*	2/2000	van Bakel	D6/512
D452,788	S	*	1/2002	Neiberger et al.	D6/518

* cited by examiner

Primary Examiner—Brian N. Vinson
(74) *Attorney, Agent, or Firm*—Gifford, Krass, Groh,
Sprinkle, Anderson & Citkowski, P.C.

(57) **CLAIM**

The ornamental design for a plastic bag dispenser, as shown and described.

DESCRIPTION

FIG. 1 is a perspective view of a plastic bag dispenser in an open position showing my new design;
FIG. 2 is a perspective view of the plastic bag dispenser shown in FIG. 1 but in a closed position;
FIG. 3 is a front elevation;
FIG. 4 is a top plan view;
FIG. 5 is a bottom plan view;
FIG. 6 is a plan view from the right side in FIG. 3;
FIG. 7 is a plan view from the left side of FIG. 3;
FIG. 8 is a cross-sectional view taken on line 8—8 in FIG. 3;
FIG. 9 is a cross-sectional view similar to FIG. 8 but in an opened condition of the plastic bag dispenser; and,
FIG. 10 is a back elevation.

1 Claim, 3 Drawing Sheets

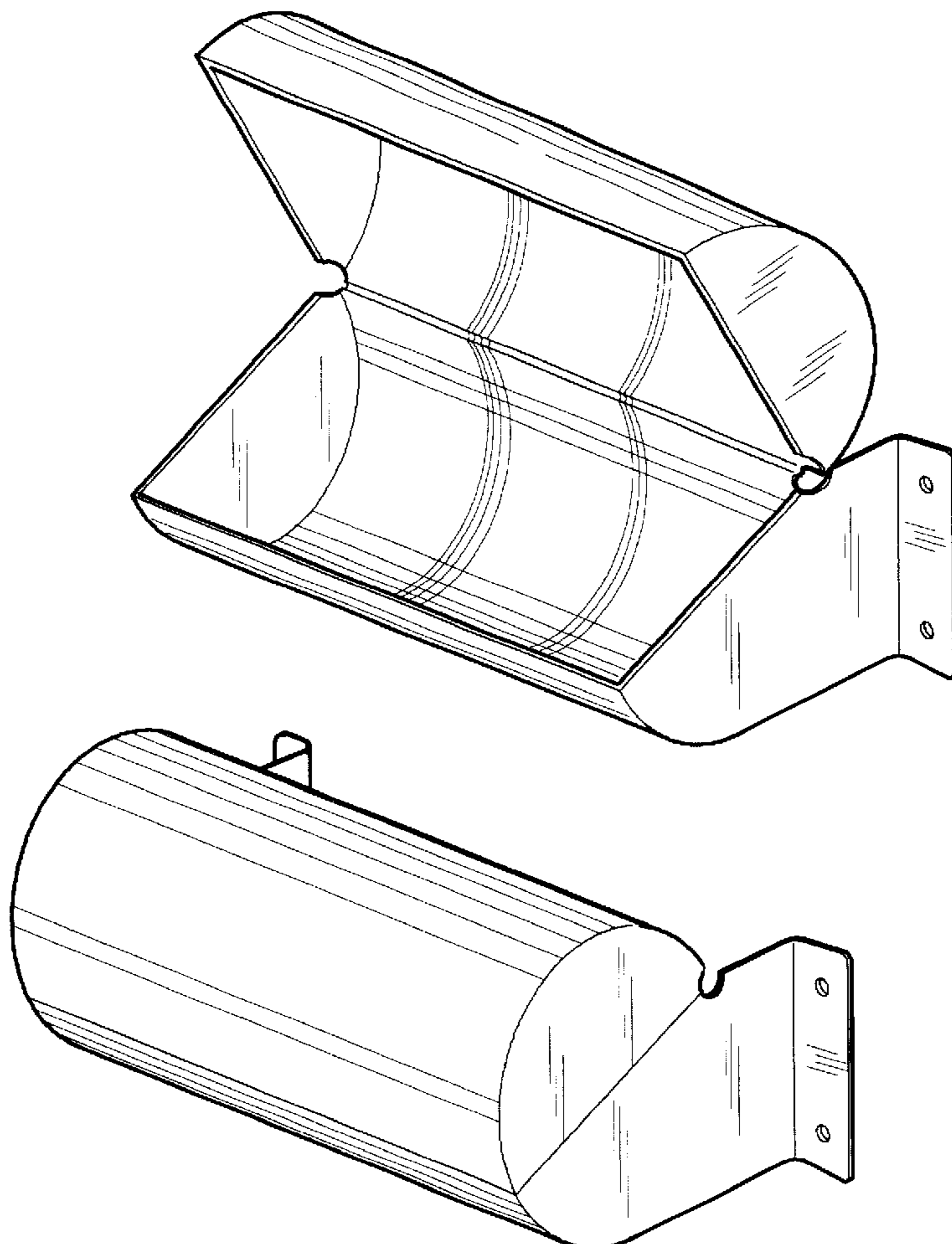


Fig-1

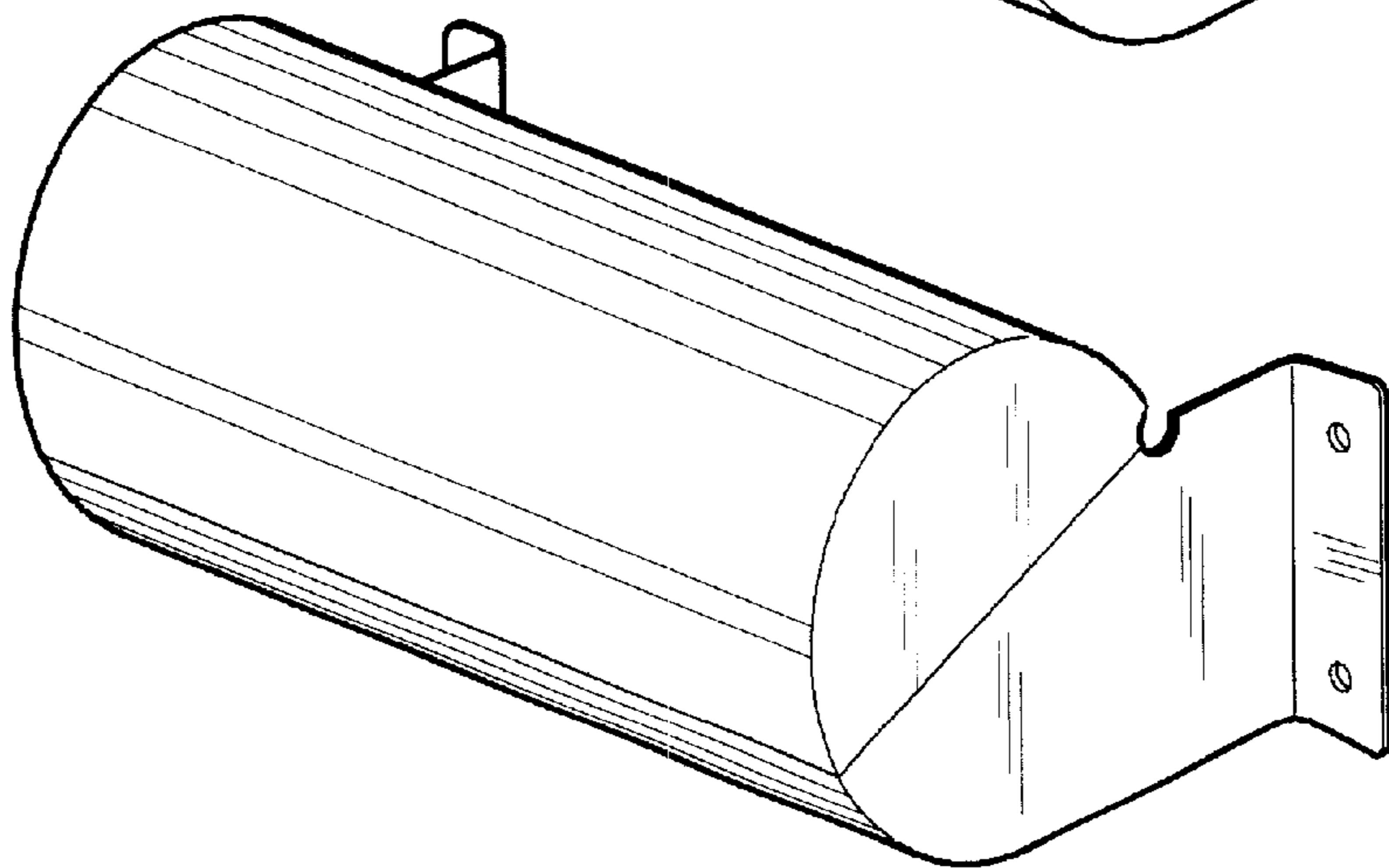
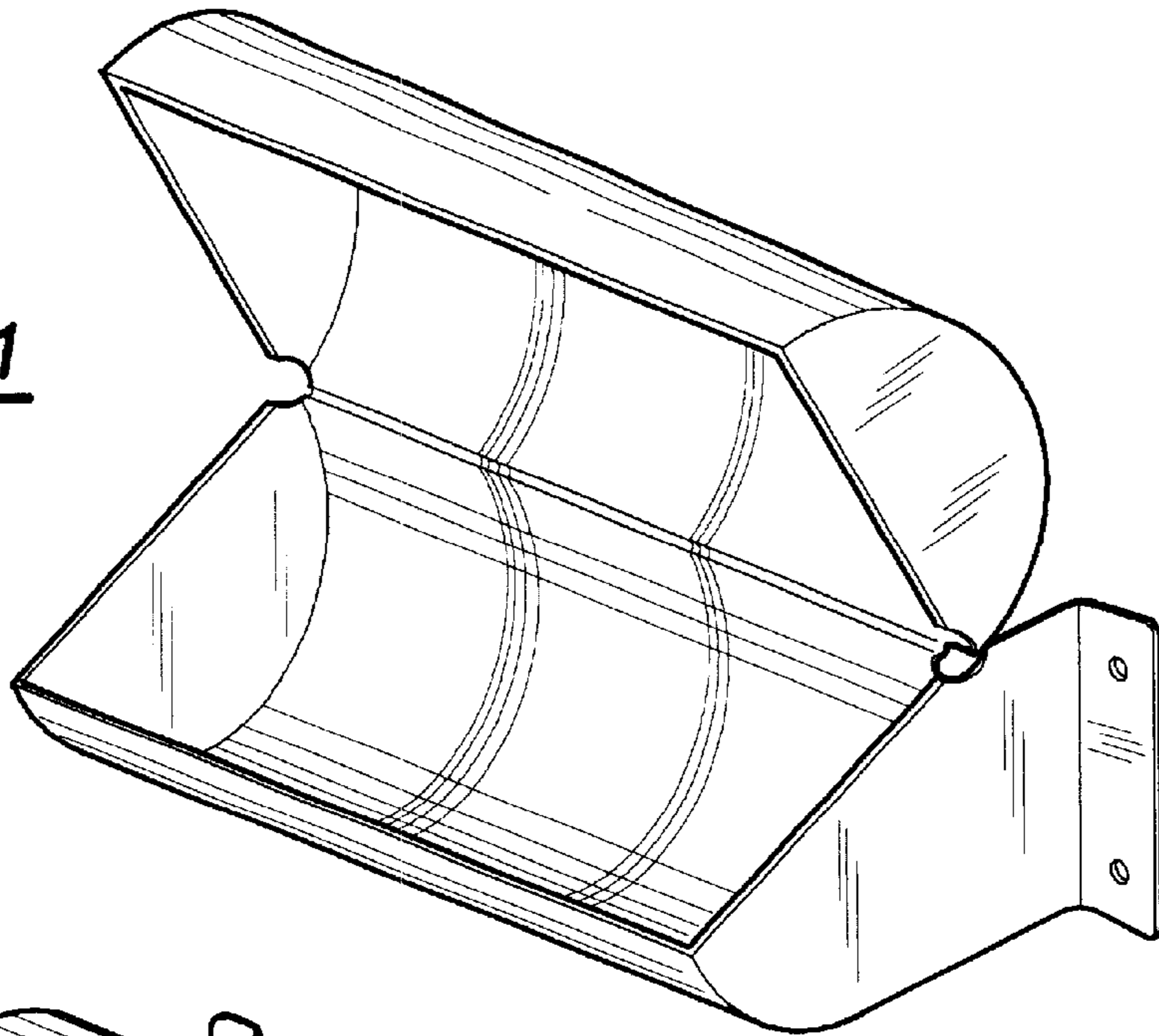
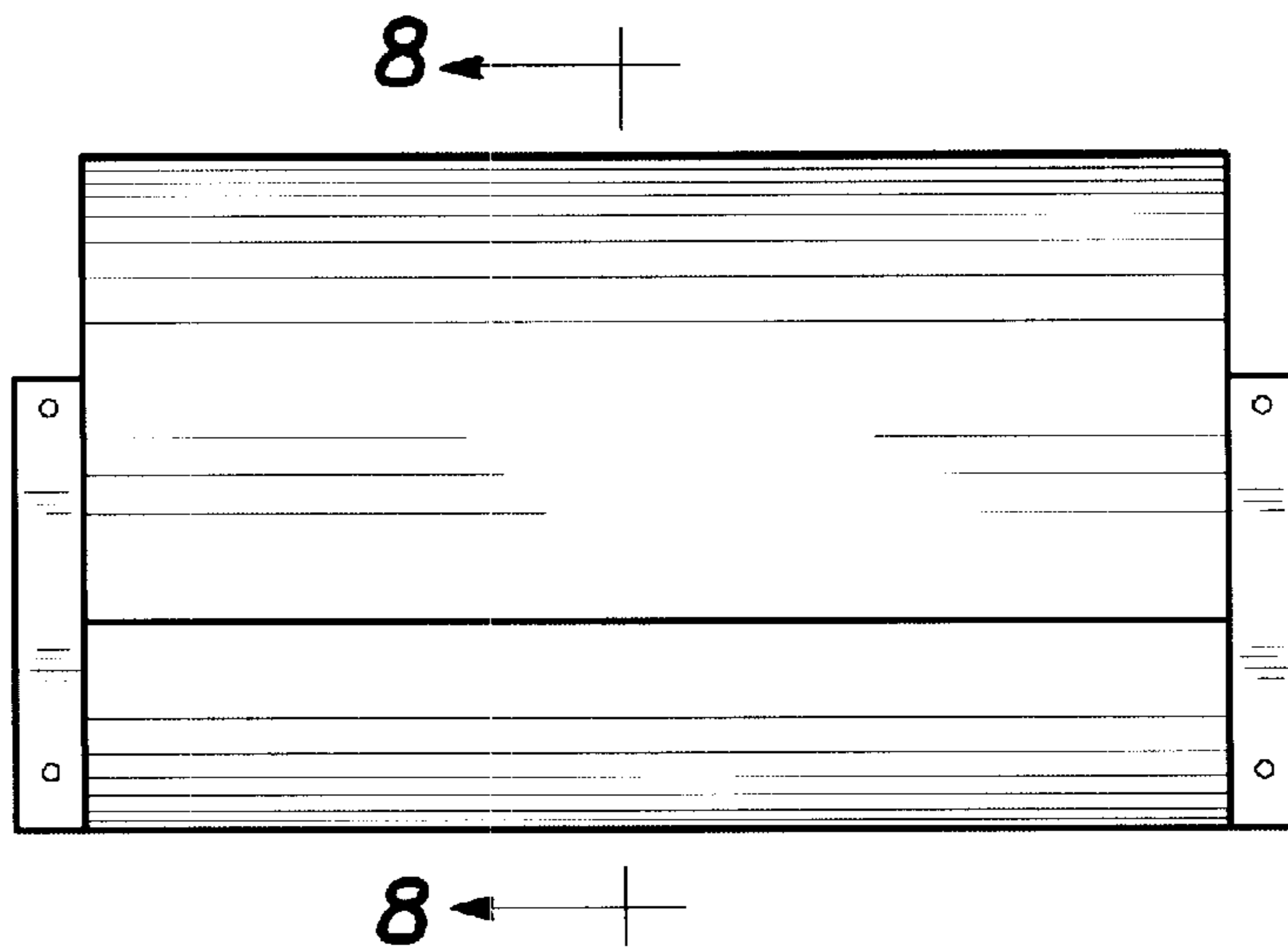


Fig-2

Fig-3



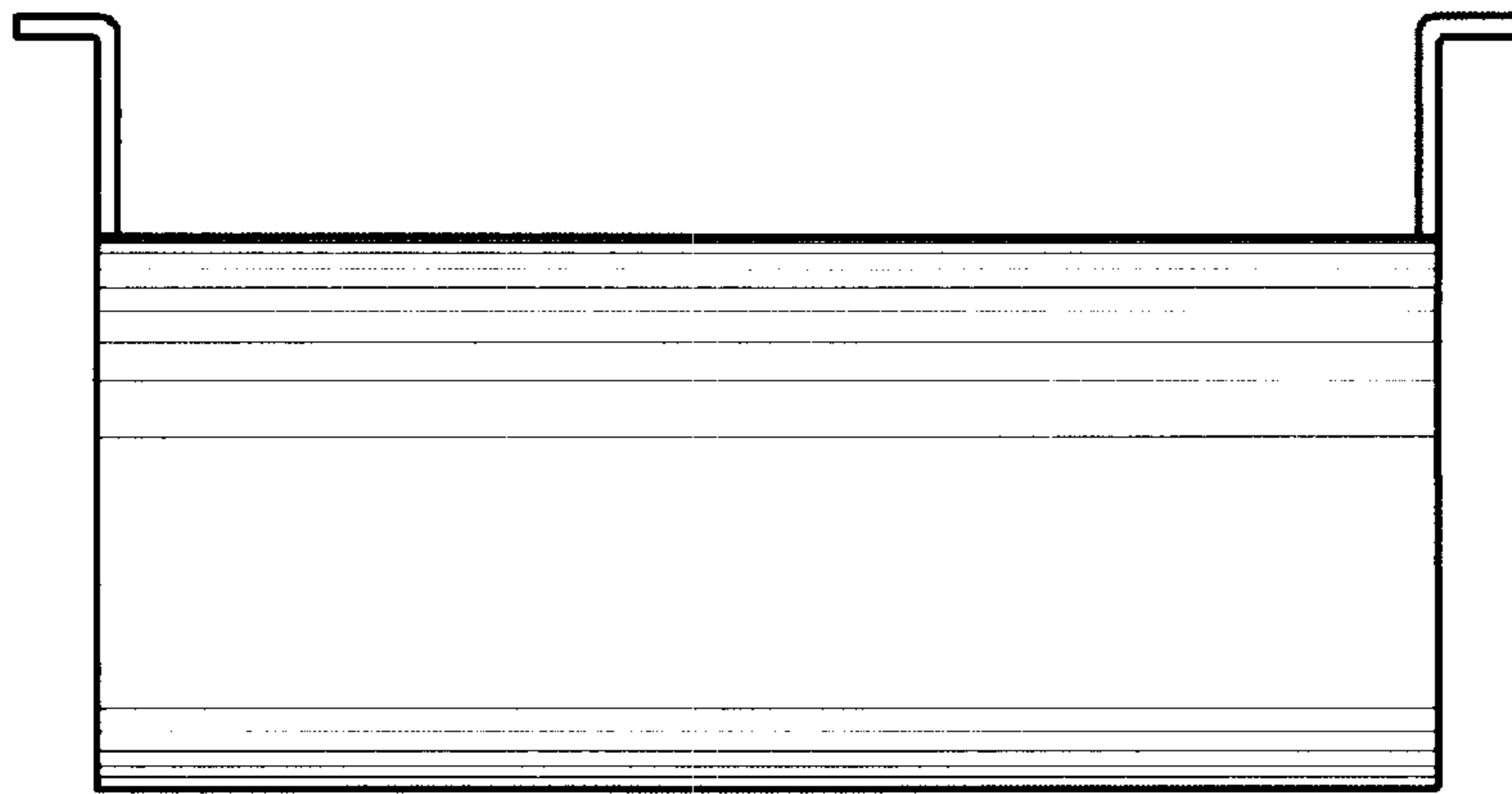


Fig-4

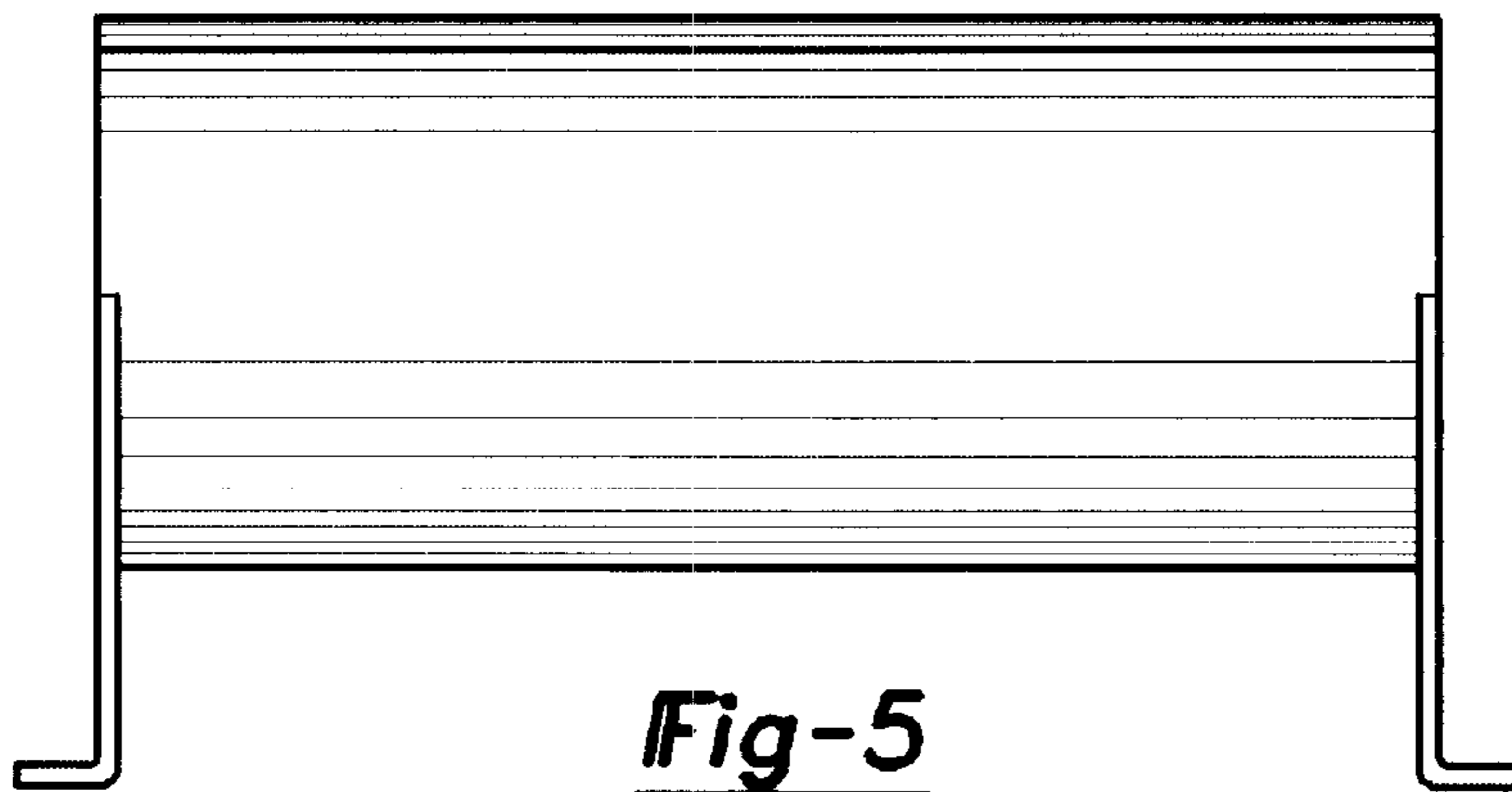


Fig-5

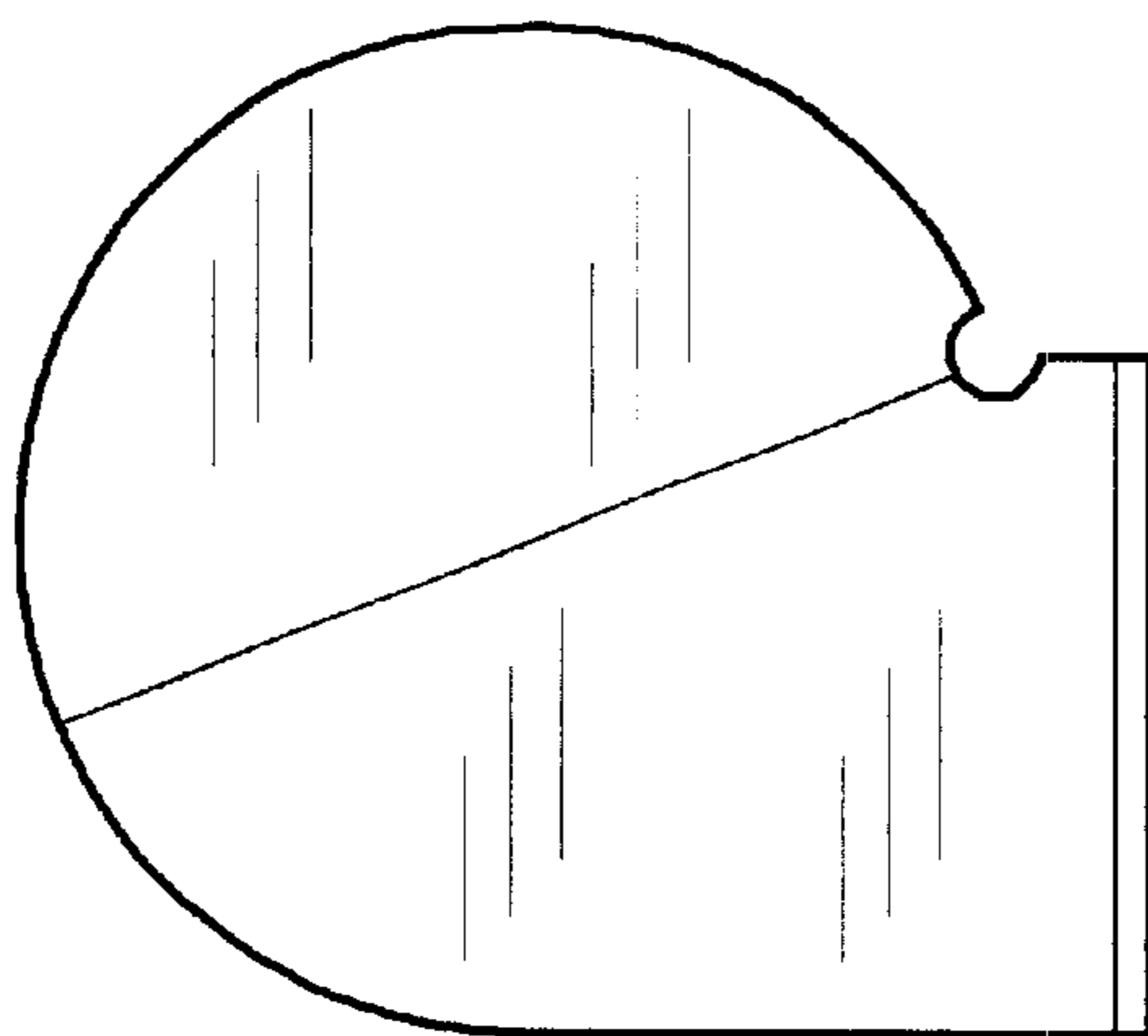


Fig-6

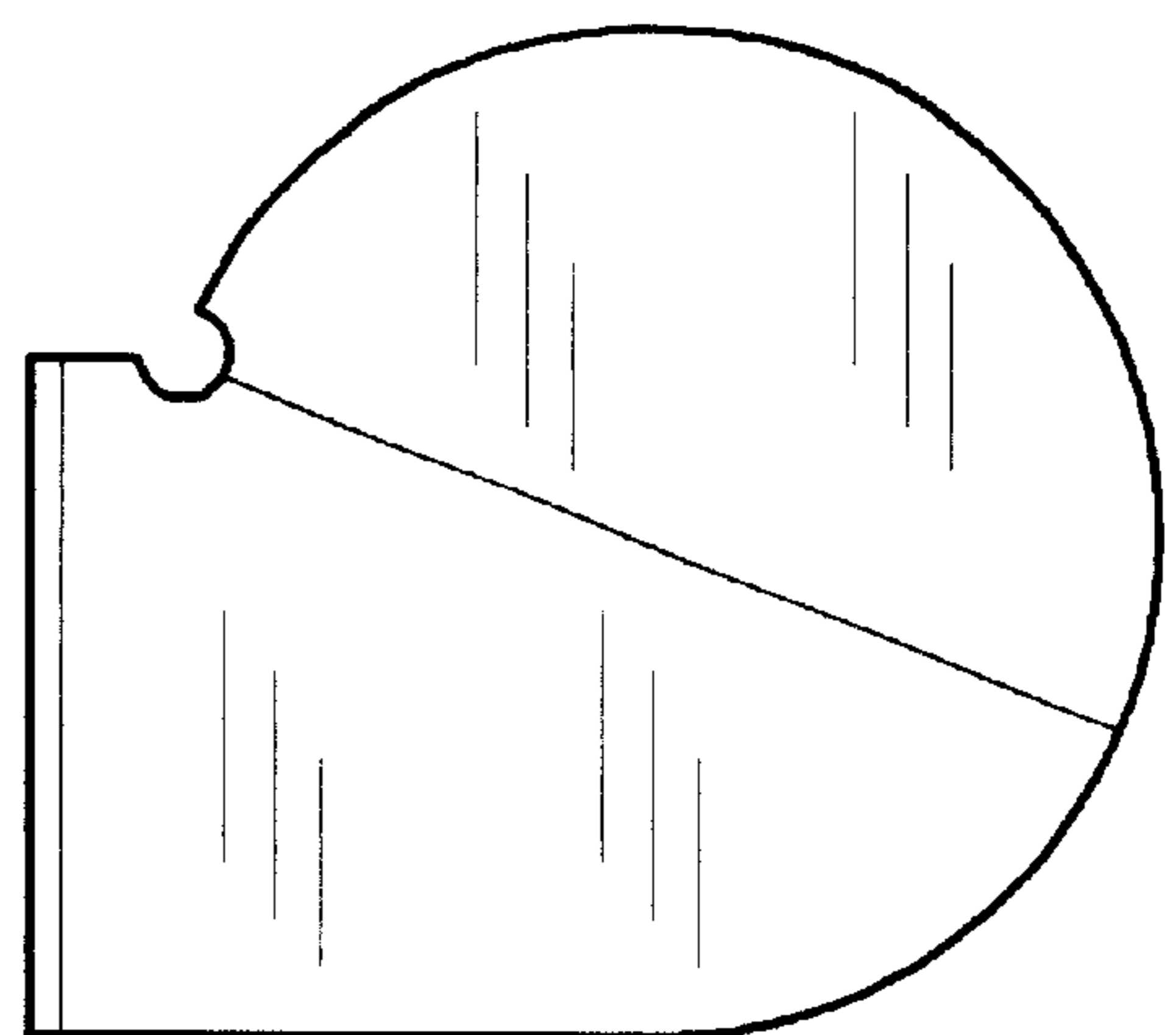


Fig-7

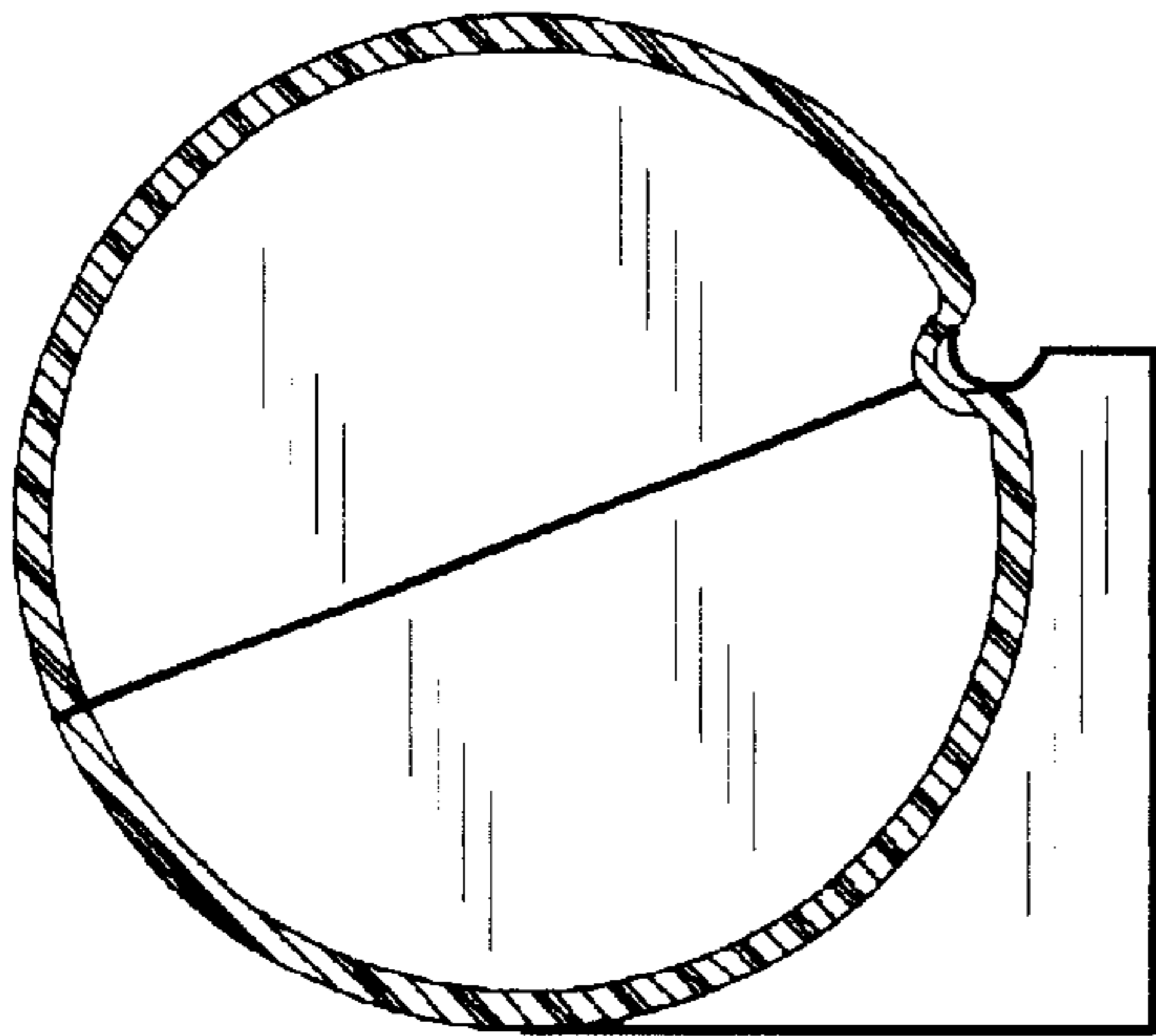


Fig-8

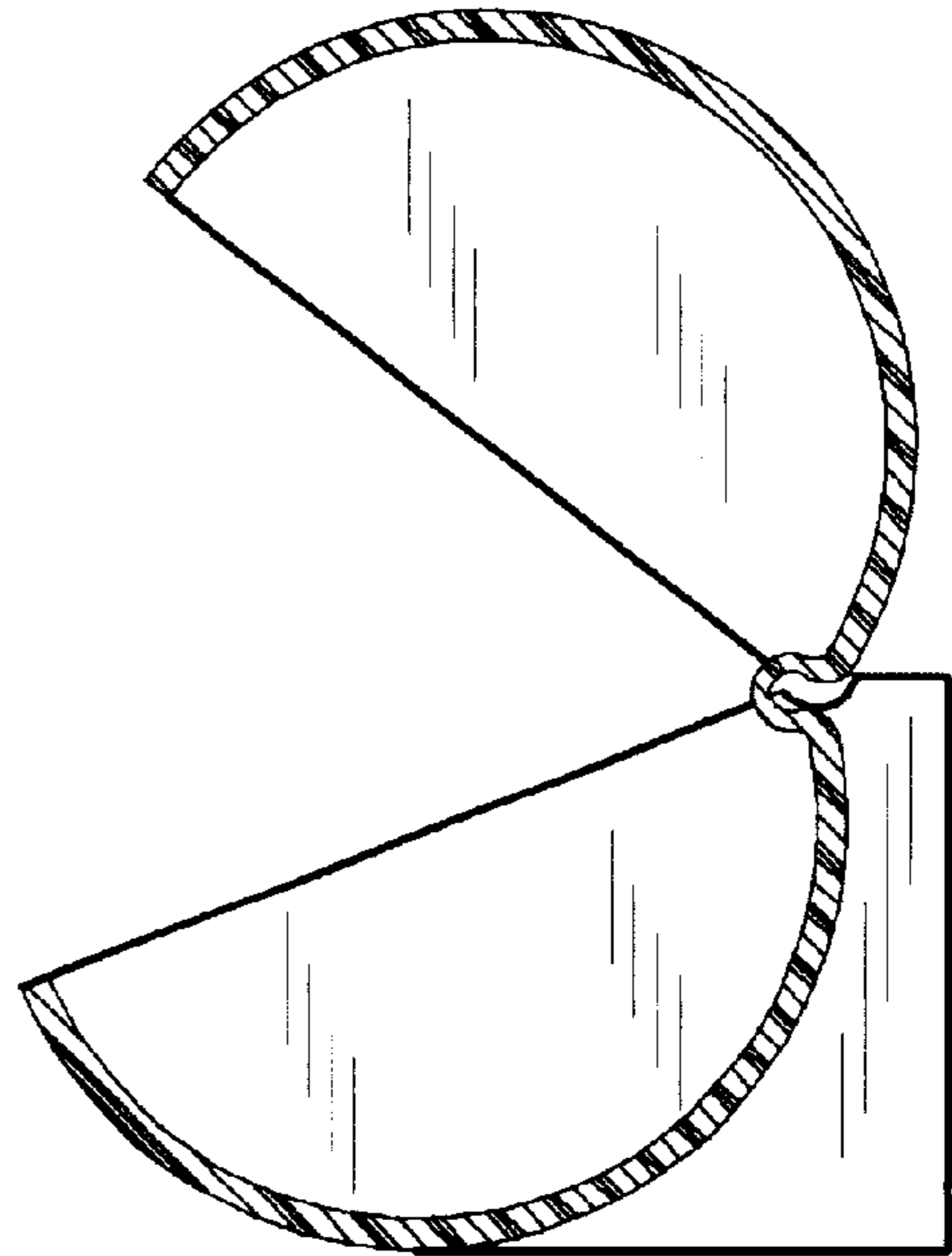


Fig-9

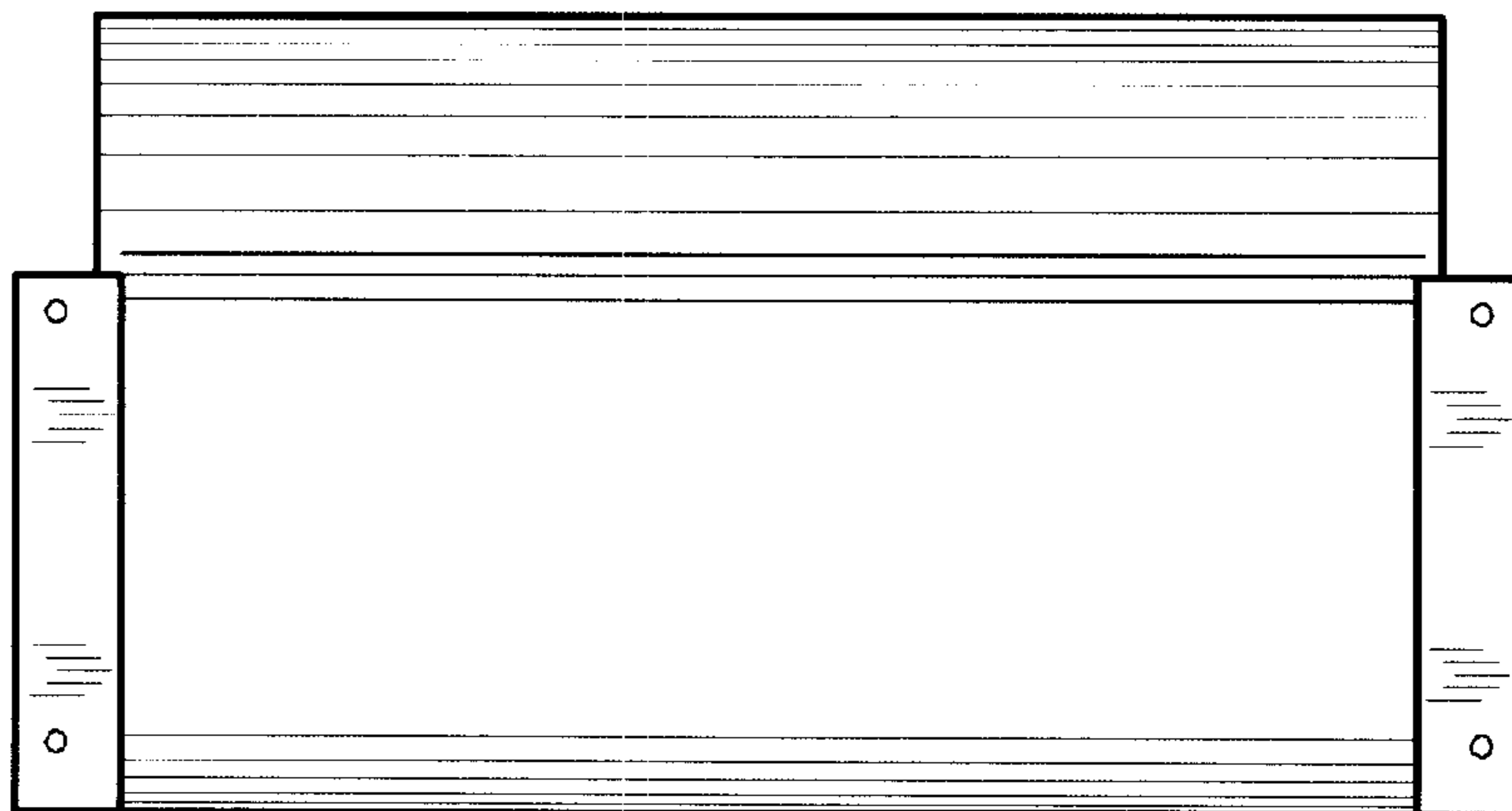


Fig-10