



US00D462857S

(12) **United States Design Patent**
Pathiratne

(10) **Patent No.:** **US D462,857 S**

(45) **Date of Patent:** **** Sep. 17, 2002**

(54) **END FRAME FOR A FUTON**

(76) **Inventor:** **S. Sean Pathiratne**, 506 Landfair Cir.,
San Jose, CA (US) 95136

(**) **Term:** **14 Years**

(21) **Appl. No.:** **29/150,597**

(22) **Filed:** **Nov. 6, 2001**

(51) **LOC (7) Cl.** **06-06**

(52) **U.S. Cl.** **D6/492; D6/335; D6/381**

(58) **Field of Search** D6/334, 335, 336,
D6/370, 371, 373, 379, 381, 492, 500,
501, 502; 5/12.1; 297/232, 452.63, 411.45

(56) **References Cited**

U.S. PATENT DOCUMENTS

D35,082 S	*	9/1901	Stickley	D6/379
1,248,702 A	*	12/1917	Percival	5/12.1
1,262,110 A	*	4/1918	Slack	5/12.1
D151,295 S		10/1948	Stanley		
D222,831 S		1/1972	Lax		
D224,861 S		10/1972	Fisher		
D229,591 S	*	12/1973	Trail	D6/373
D240,680 S	*	7/1976	Nash	D6/379
D273,254 S		4/1984	Fairaizen		
D350,858 S		9/1994	Warren		
D360,538 S		7/1995	Skalka		
D368,173 S		3/1996	Kramer		
D370,570 S	*	6/1996	Green, Jr. et al.	D6/370
D379,278 S		5/1997	Zeinfeld et al.		

D423,830 S		5/2000	Schlichter et al.		
D424,315 S		5/2000	Jeng		
D425,339 S	*	5/2000	Schlichter et al.	D6/492
D426,407 S	*	6/2000	Schlichter et al.	D6/492

* cited by examiner

Primary Examiner—Gary D. Watson

(74) *Attorney, Agent, or Firm*—Kenneth C. Brooks

(57) **CLAIM**

The ornamental design for an end frame for a futon, as shown and described.

DESCRIPTION

FIG. 1 is a perspective view of an end frame for a futon illustrating the features of the invention relating to the end portion in solid lines, and in broken lines to show the environment in which the invention is claimed, with the broken lines not forming a part of the claimed design;

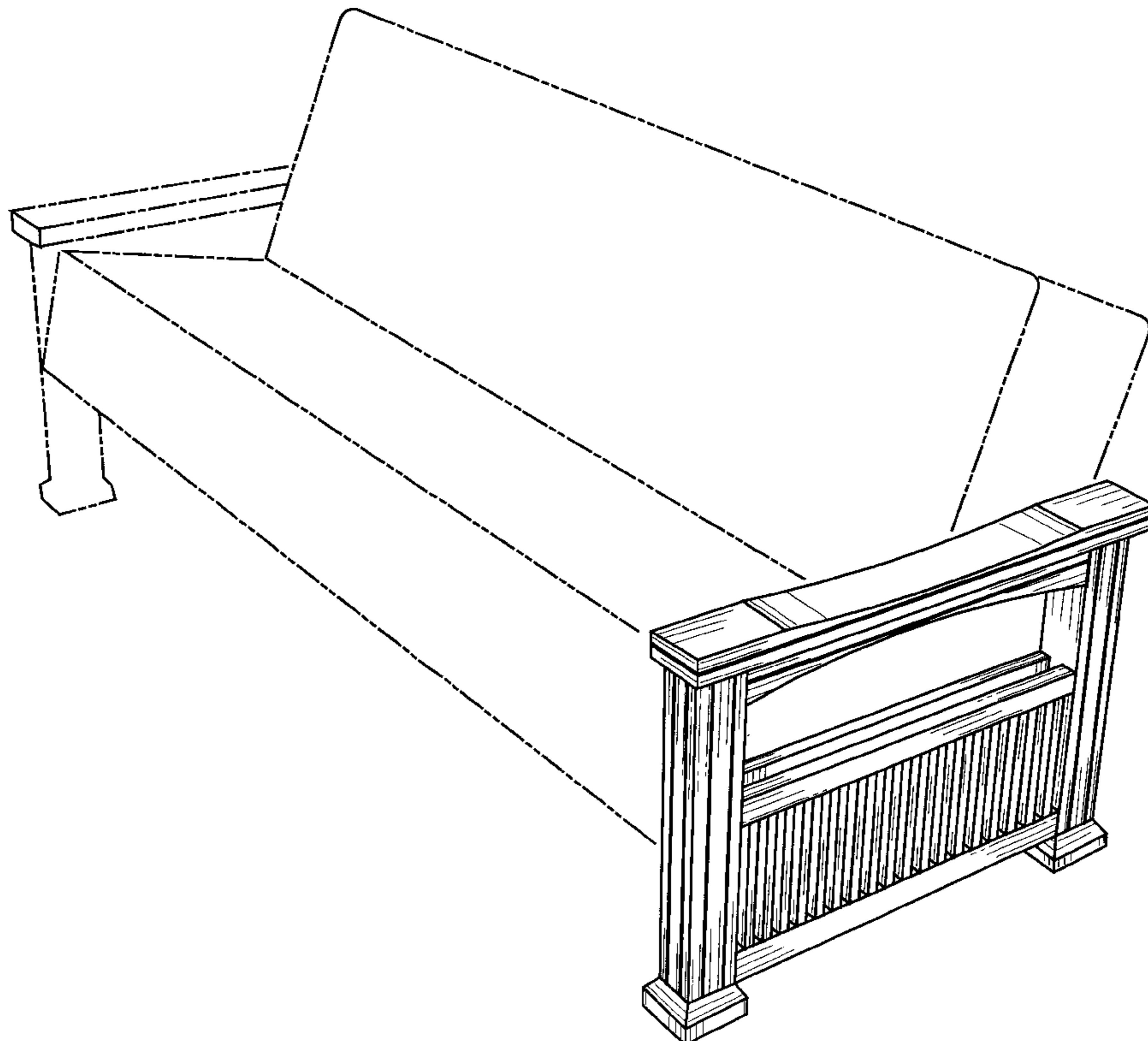
FIG. 2 is a frontal view of the end frame shown in FIG. 1, with the understanding that the back view is a mirror image of the frontal view;

FIG. 3 is a an end view of the end frame shown in FIG. 2; and,

FIG. 4 is another end view of the end frame shown in FIG. 2, taken from the opposing end of the end view shown in FIG. 3.

It is submitted that the bottom view of the end frame does not form any part of the claimed design.

1 Claim, 2 Drawing Sheets



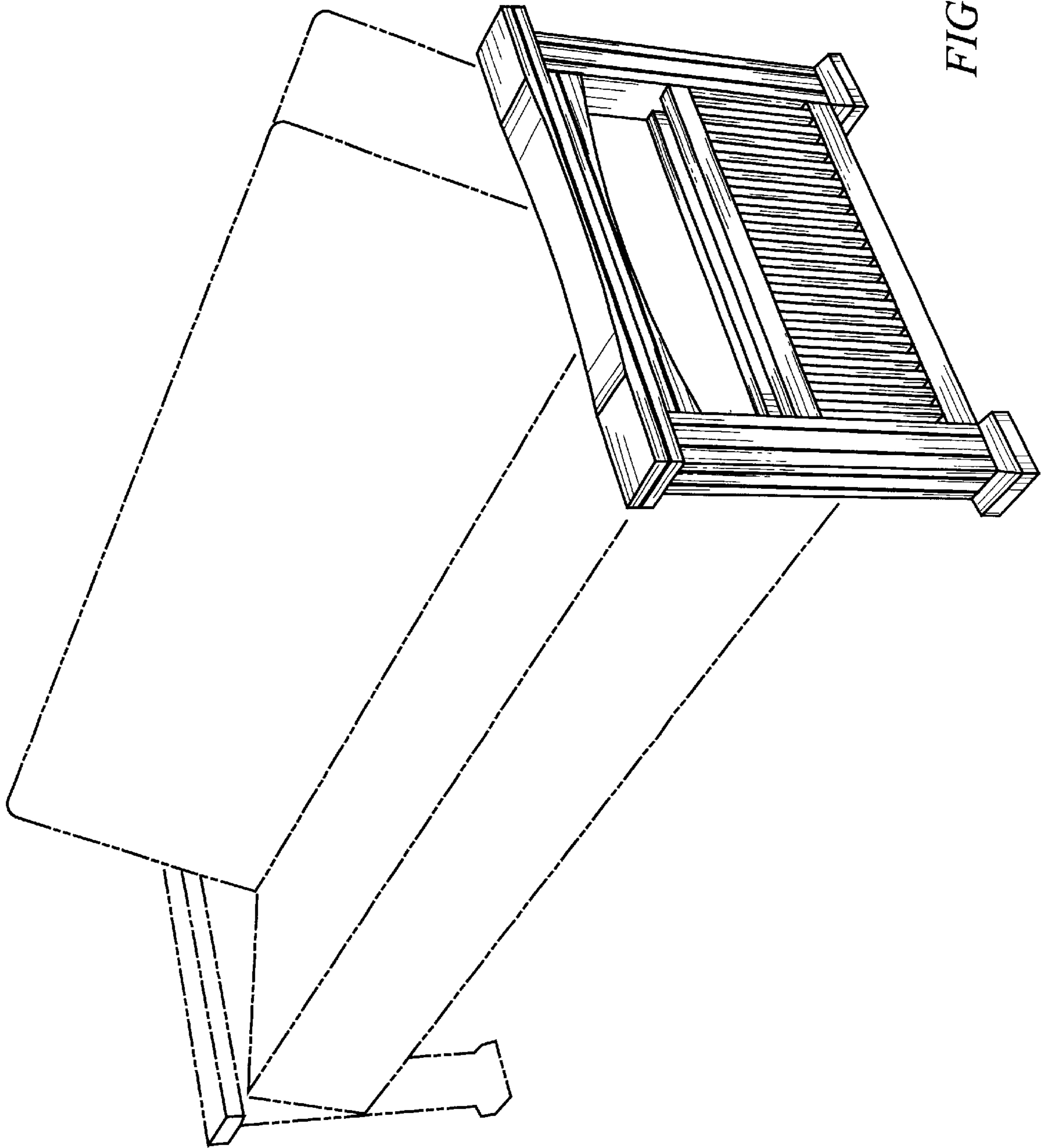


FIG. 1

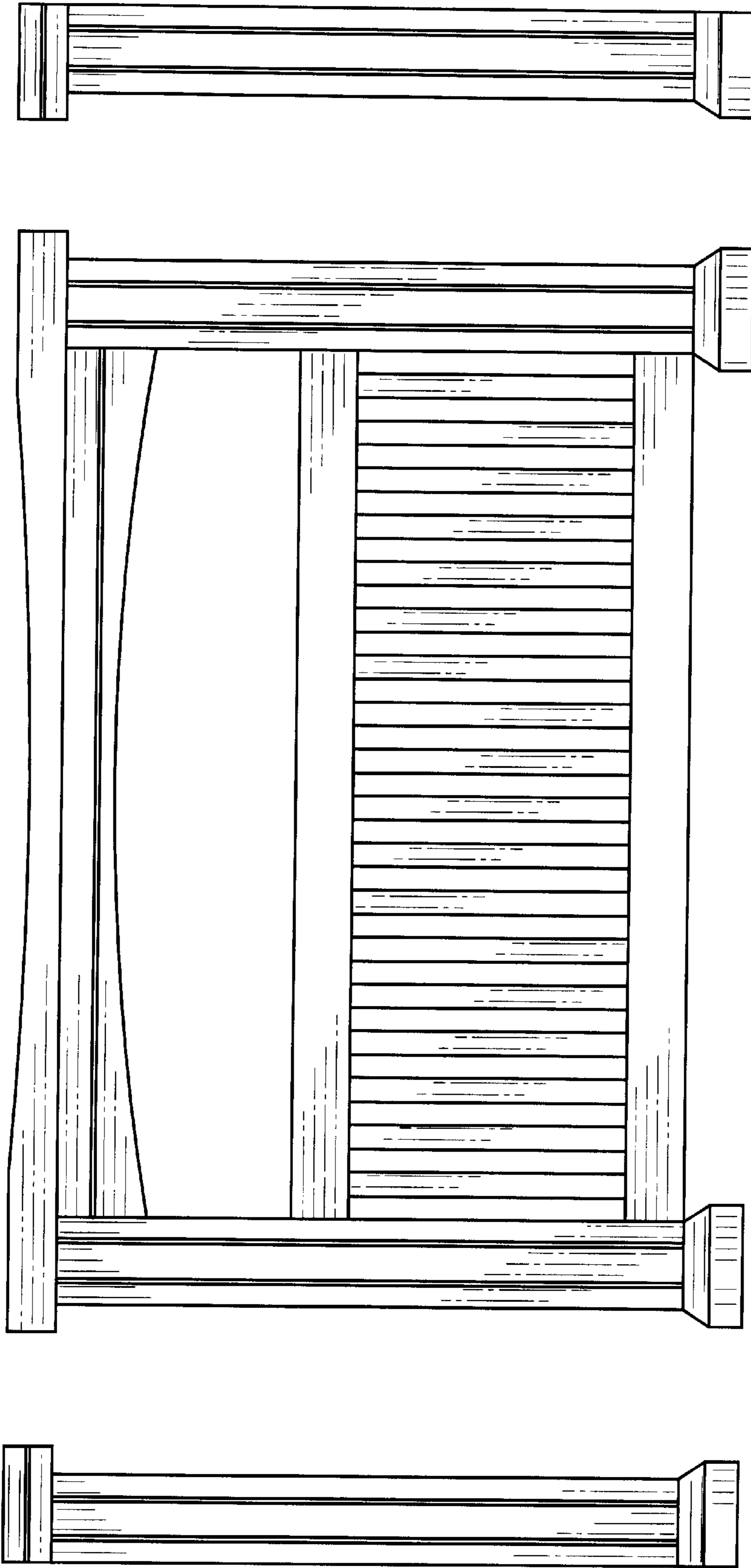


FIG. 3

FIG. 2

FIG. 4